



US00D674380S

(12) **United States Design Patent**  
**Soekoro**

(10) **Patent No.:** **US D674,380 S**  
(45) **Date of Patent:** **\*\* Jan. 15, 2013**

(54) **CELLPHONE CASE**

(75) Inventor: **Prapancha Soekoro**, Long Island City, NY (US)

(73) Assignee: **Soberg, LLC**, Long Island City, NY (US)

(\*\*) Term: **14 Years**

(21) Appl. No.: **29/420,831**

(22) Filed: **May 14, 2012**

(51) **LOC (9) Cl.** ..... **14-03**

(52) **U.S. Cl.** ..... **D14/250**

(58) **Field of Classification Search** ..... D14/250–253, D14/440, 203.3–203.7, 217, 496, 248, 238.1, D14/240, 447; D3/201, 218, 269, 301, 273, D3/303, 103, 247; D13/103, 107–108, 119; 220/4.02; 248/309.1, 371, 176.3, 668; 361/679.56, 361/679.3, 679.25, 816; 379/426, 433.11, 379/455; 455/575.1, 575.8; 206/305, 320; D6/300, 310, 311, 312; 345/173

See application file for complete search history.

(56) **References Cited**

**U.S. PATENT DOCUMENTS**

2,914,785	A *	12/1959	Ela	15/143.1
3,674,268	A *	7/1972	Shellman, Sr.	473/526
3,865,370	A *	2/1975	Rogers	30/165
4,226,418	A *	10/1980	Balfour	473/551
4,697,377	A *	10/1987	Martin	43/23
D324,610	S *	3/1992	Fox et al.	D3/207
D357,918	S	5/1995	Doria	
D365,622	S	12/1995	Edwards	
5,629,679	A *	5/1997	Cranford et al.	340/574
D434,410	S	11/2000	Frye et al.	
D435,541	S	12/2000	Kataoka et al.	
6,201,867	B1	3/2001	Koike	
D457,163	S	5/2002	Peiker	
D491,999	S *	6/2004	Scott	D22/142
D500,546	S	1/2005	Anderson	
6,913,159	B1 *	7/2005	Goldberg	215/396
D531,797	S	11/2006	Briggs	

D533,994	S *	12/2006	Hussaini et al.	D3/218
D543,541	S	5/2007	Chung et al.	
D548,653	S	8/2007	Costa	
D553,352	S	10/2007	Allen	
D561,294	S	2/2008	Pennington	
D565,290	S	4/2008	Brandenburg et al.	
D565,839	S *	4/2008	Allen	D3/218
D575,771	S	8/2008	Tolve	
D576,246	S *	9/2008	Pennington	D22/117
D580,710	S	11/2008	Huggins	
D582,894	S	12/2008	Richter	
D593,750	S	6/2009	Song	

(Continued)

**OTHER PUBLICATIONS**

Brass Knuckle iPhone 4 Case, posted on Aug. 21, 2012, <URL:http://gadgets.in.com/brass-knuckle-iphone-4-case.htm>, retrieved from internet on Nov. 4, 2012.\*

(Continued)

*Primary Examiner* — Carla Jobe Wright

(74) *Attorney, Agent, or Firm* — Ostrager Chong Flaherty & Broitman P.C.

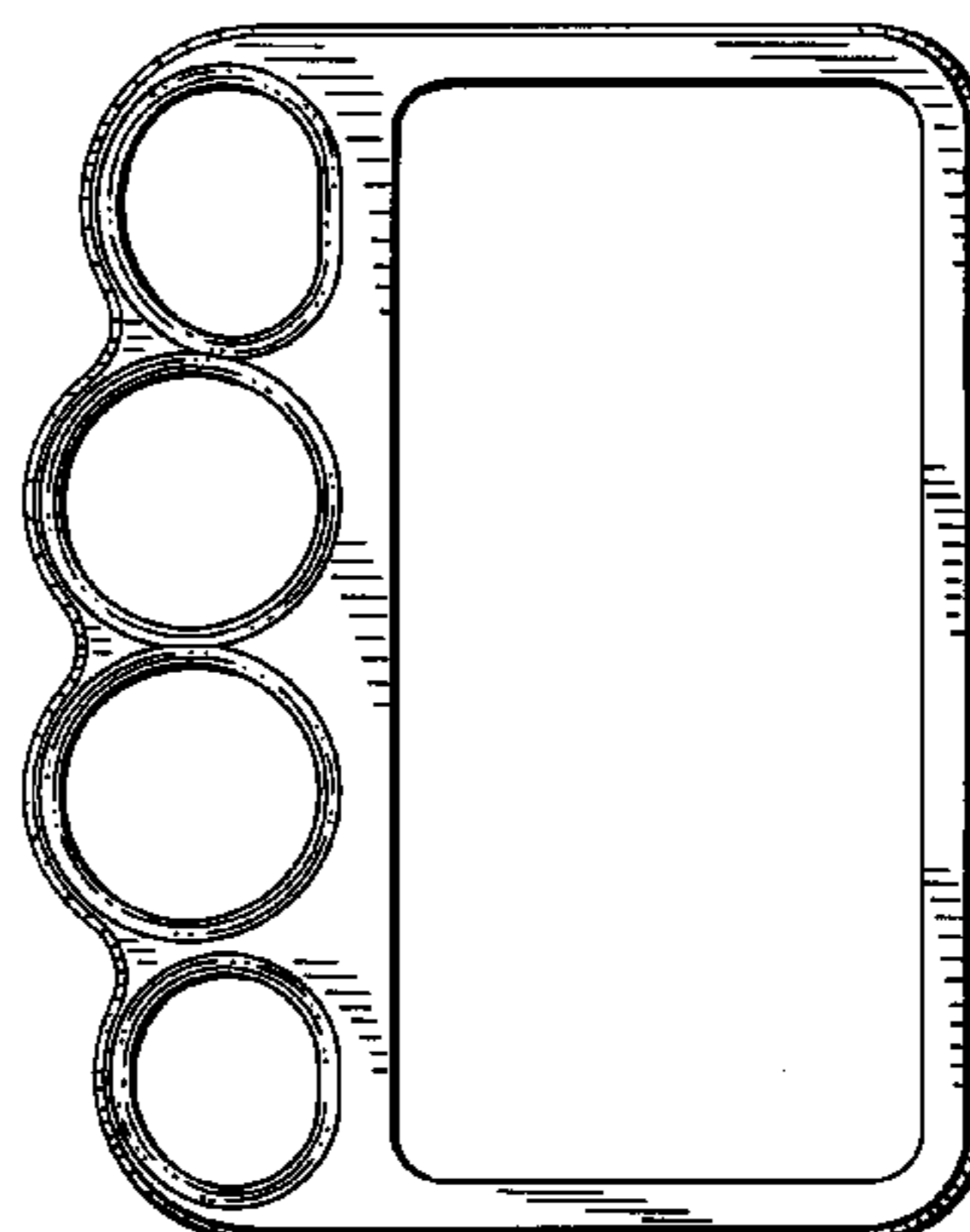
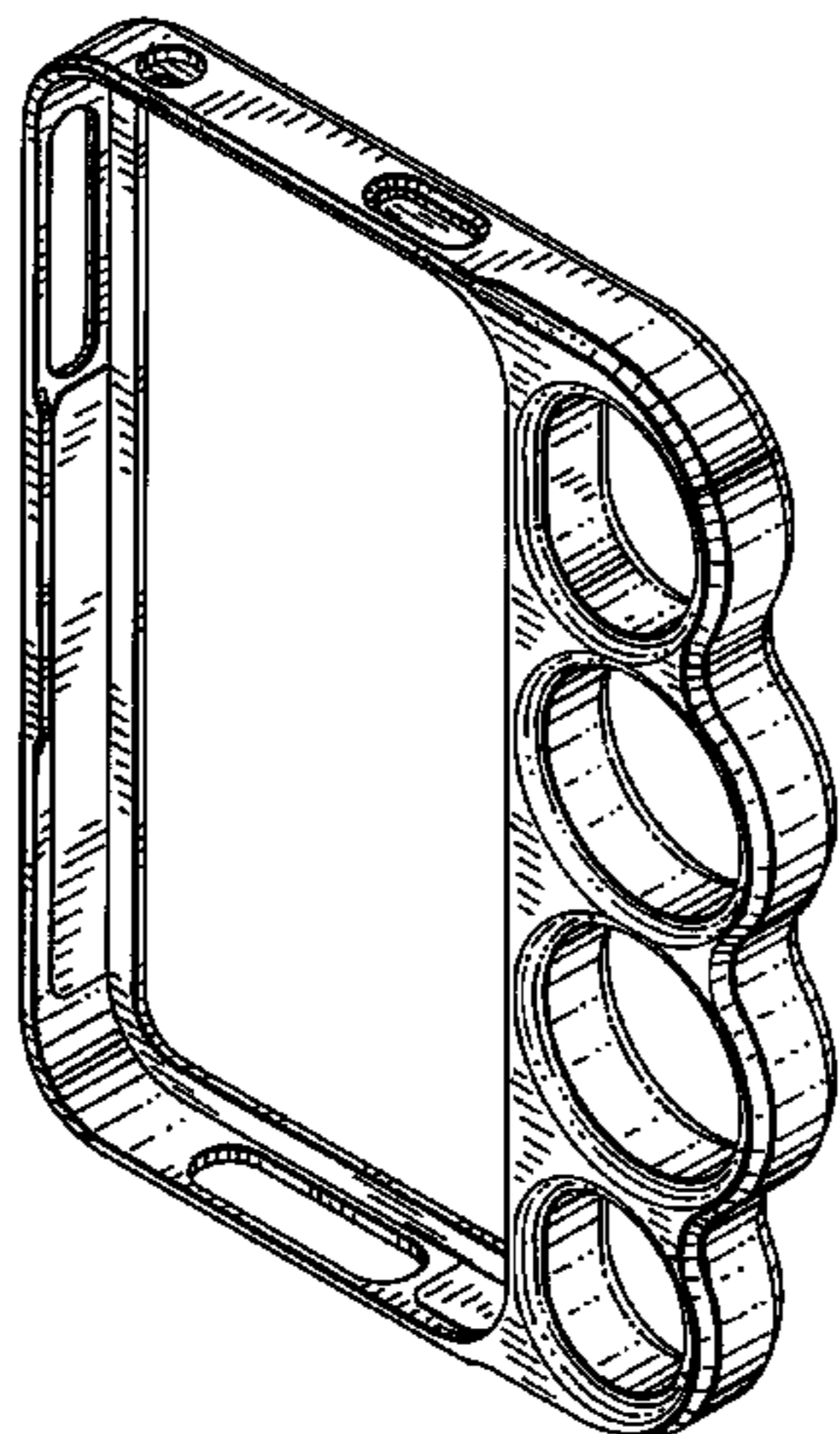
(57) **CLAIM**

I claim the ornamental design for a cellphone case, as shown and described.

**DESCRIPTION**

FIG. 1 is a top, front and right isometric view of the new design;  
FIG. 2 is a top, front and right isometric view thereof;  
FIG. 3 is a bottom, front and left isometric view thereof;  
FIG. 4 is a top view thereof;  
FIG. 5 is a front view thereof;  
FIG. 6 is a right side view thereof;  
FIG. 7 is a left side view thereof;  
FIG. 8 is a rear view thereof; and,  
FIG. 9 is a bottom view thereof.  
The broken lines and the unshaded surface in FIG. 1 depict unclaimed environment.

**1 Claim, 4 Drawing Sheets**



U.S. PATENT DOCUMENTS

D595,486	S	7/2009	Van Hulle	
D600,008	S	9/2009	Levis et al.	
D602,913	S	10/2009	Han et al.	
D606,305	S	12/2009	Lee et al.	
D609,346	S	2/2010	Yu	
D620,247	S	7/2010	Behar et al.	
D623,180	S *	9/2010	Diebel .....	D14/250
D627,963	S	11/2010	Schwarz	
D635,555	S	4/2011	Giles	
D649,539	S *	11/2011	Hong .....	D14/250
D651,205	S	12/2011	Soekoro	
8,069,570	B2 *	12/2011	Taylor et al. ....	30/143
D659,132	S *	5/2012	Wen .....	D14/250
D662,929	S *	7/2012	Fahrendorff et al. ....	D14/250
D668,962	S *	10/2012	Middleton .....	D9/680

OTHER PUBLICATIONS

Knucklecase for iPhone 4&4S, <URL:http://www.knucklecase.com/products/knuckle-iphone-4-4s-case>, retrieved from internet on Nov. 4, 2012.\*  
 Internet Archive Wayback Machine, <URL:http://wayback.archive.org/web/20100401000000\*/http://www.knucklecase.com/>, retrieved from internet on Nov. 4, 2012.\*  
 i-Handbag purse style iPhone 4 case, <URL:http://askalexia.com/2011/08/04/two-cool-iphone-4-cases-brushed-aluminum-gasket-case-and-i-handbag-purse-style-case/>, retrieved from internet Sep. 30, 2011.  
 Handgun Shaped iPhone case<URL:http://www.humorcrazy.net/handgun-shaped-iphone-case-535>, retrieved from internet on Oct. 1, 2011.

Swill Cheese iPhone Case, posted Oct 29, 2009, <URL:http://walyou.com/swiss-cheese-iphone-case/> retrieved from internet Oct. 1, 2011.  
 Opena iPhone Case, posted on Jul. 19, 2011, <URL:http://brewreview.com/blog/opena-turns-your-iphone-into-a-bottle-opener/>, retrieved from internet Oct. 1, 2011.  
 Vyntage Finger Hole Clutch, <URL:http://www.kaboodle.com/reviews/vyntage-finger-hole-clutch>, retrieved from internet Oct. 1, 2011.  
 Article with photo: Brass Knuckles, <URL:http://en.wikipedia.org/wiki/Brass\_knuckles>, retrieved from internet Oct. 3, 2011.  
 Melee Mug, <URL:http://www.thinkgeek.com/product/b1ed/>, retrieved from internet Oct. 3, 2011.  
 The Original Brass Knuckles, <URL:http://www.brassknucklescompany.com/CRE/original-brass-knuckles-p-233.html?osCsid=2407a6a1891786877aaa3c42ed3aa39>, retrieved from internet Oct. 3, 2011.  
 iphone case + brass knuckles, posted Sep. 8, 2011, <URL:http://abeaut1fuldisaster.blogspot.com/2011/09/thats-not-my-thing-thursdays.html> retrieved from internet Oct. 3, 2011.  
 Grip-Ex: Brass Knuckles for your Mobile Phone Device, announcement posted oct. 19, 2010, <URL:http://www.geardiary.com/2010/10/19/grip-ez-brass-knuckles-for-your-mobile-device/> retrieved from internet Oct. 3, 2011.  
 Nukles iPhone Case Website, retrieved Sep. 4, 2012, first available Mar. 13, 2012; <URL:http://www.nukles.com>.

\* cited by examiner



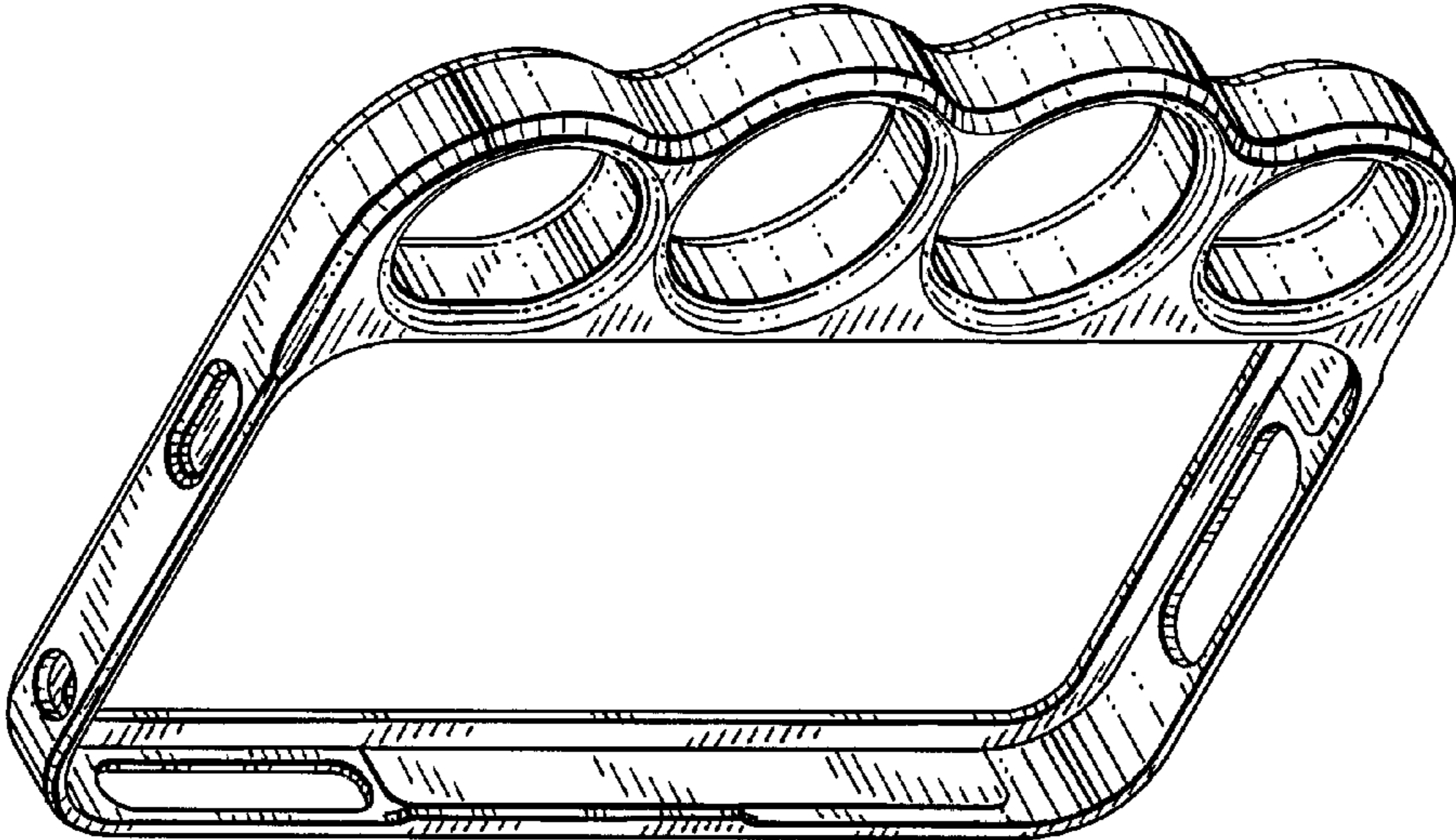


FIG. 2

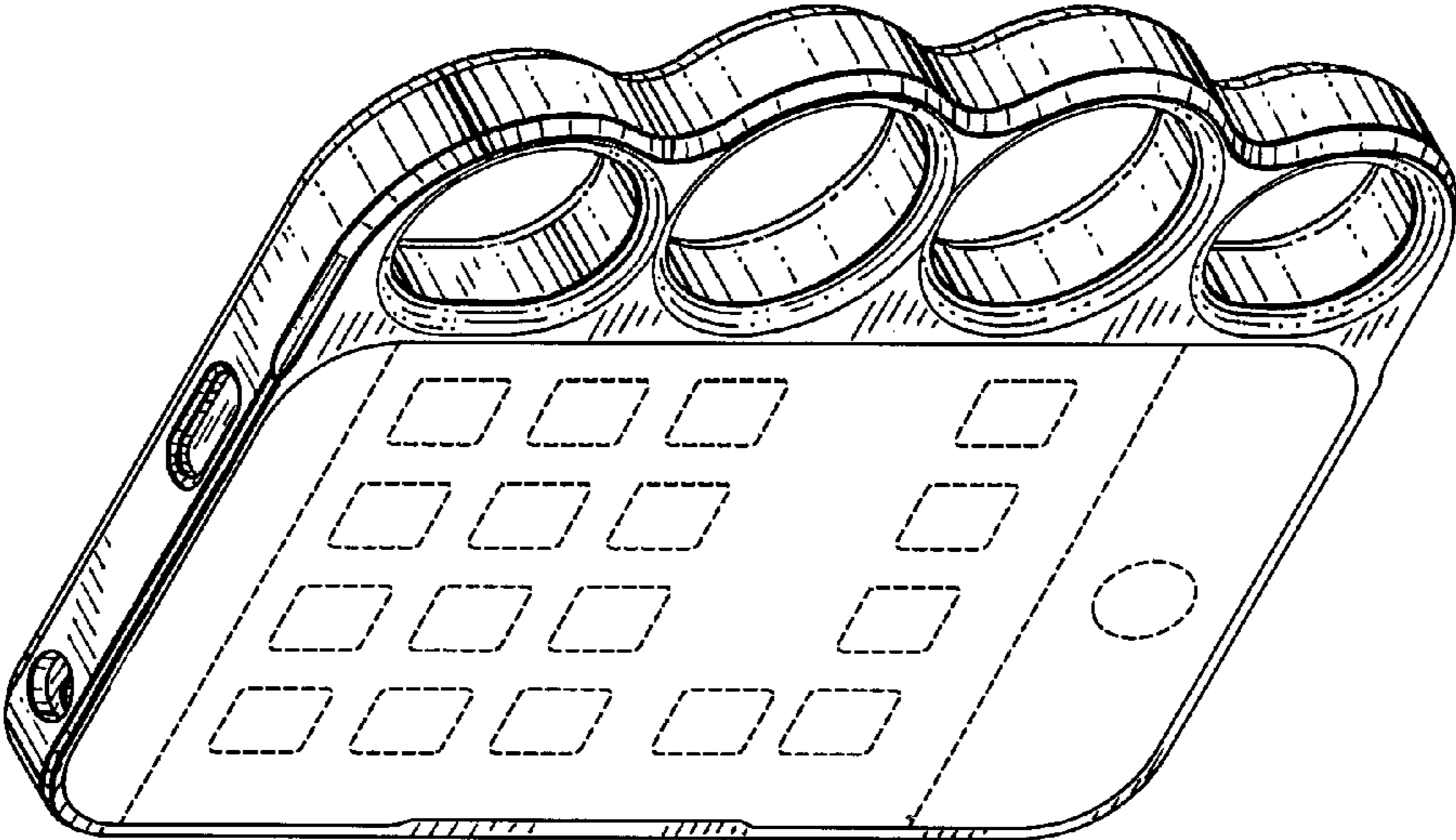


FIG. 1

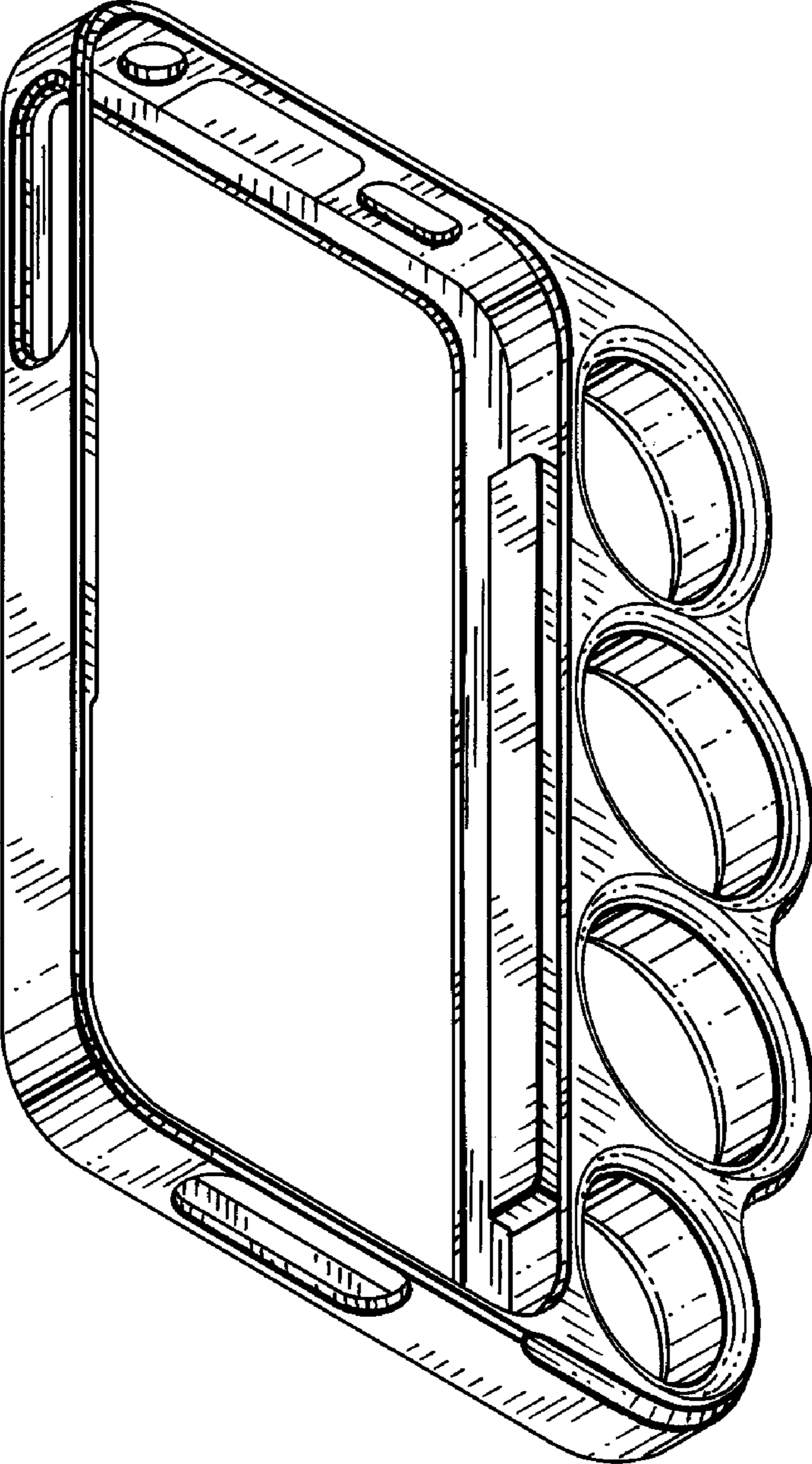


FIG.3

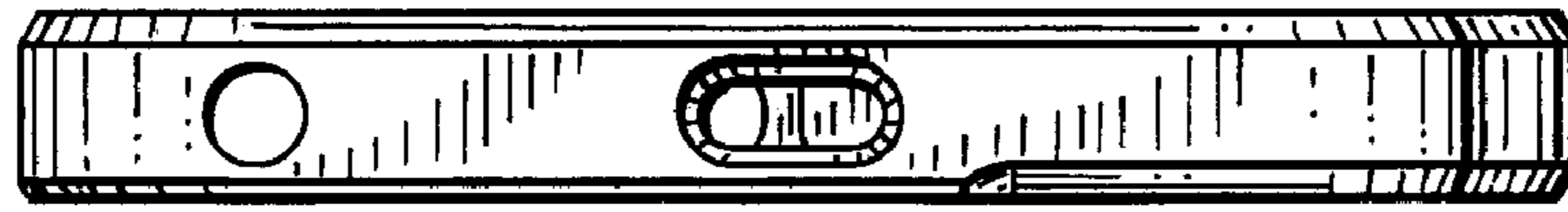


FIG. 4

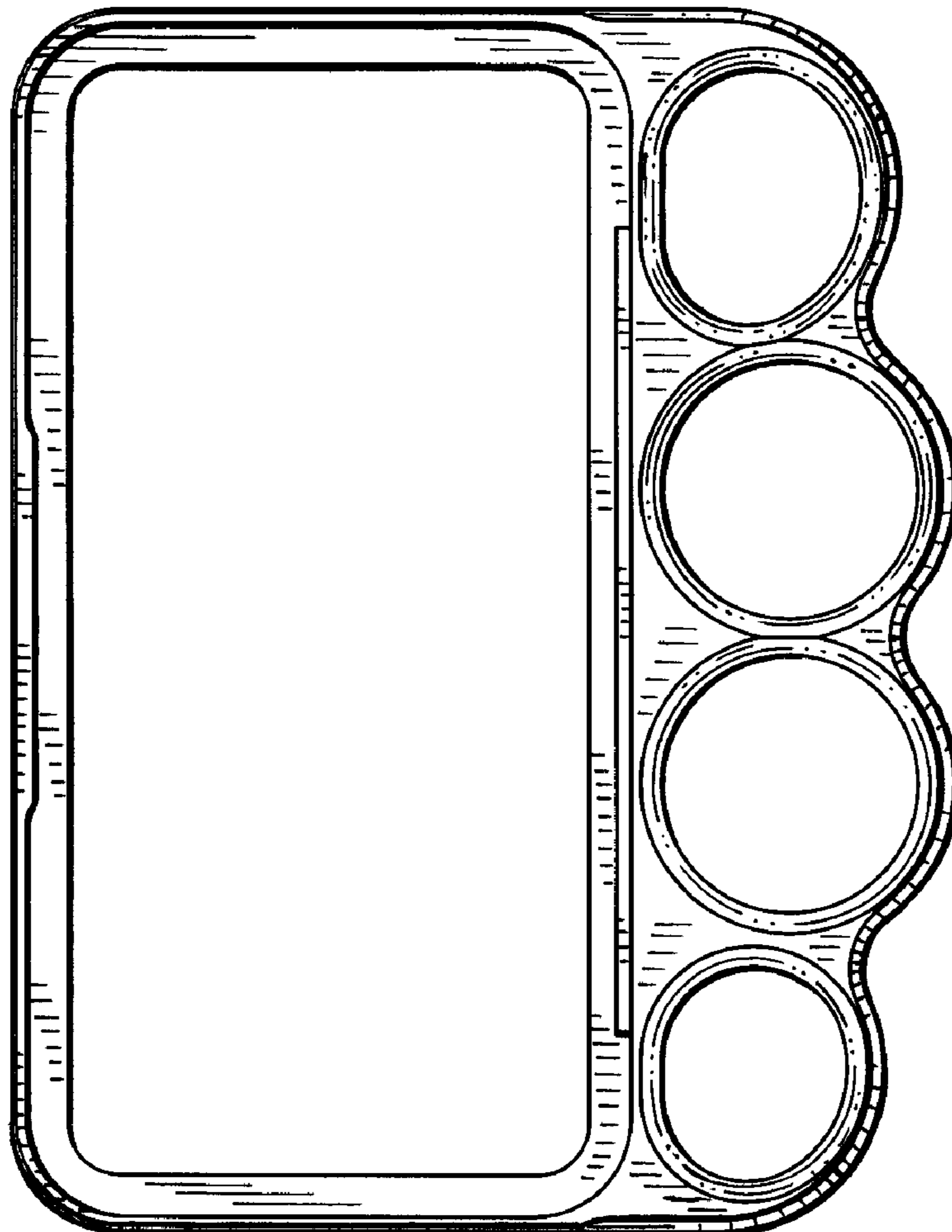


FIG. 5



FIG. 6

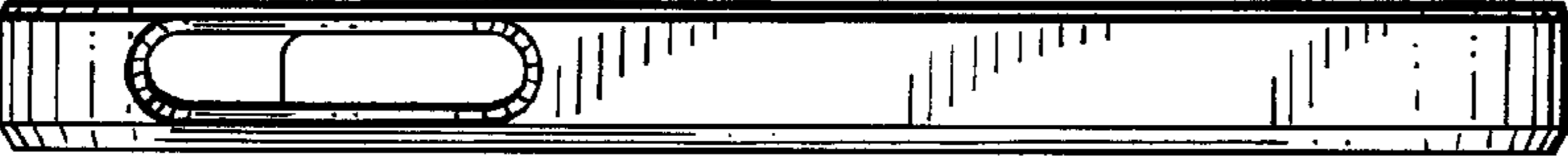


FIG. 7



FIG. 9

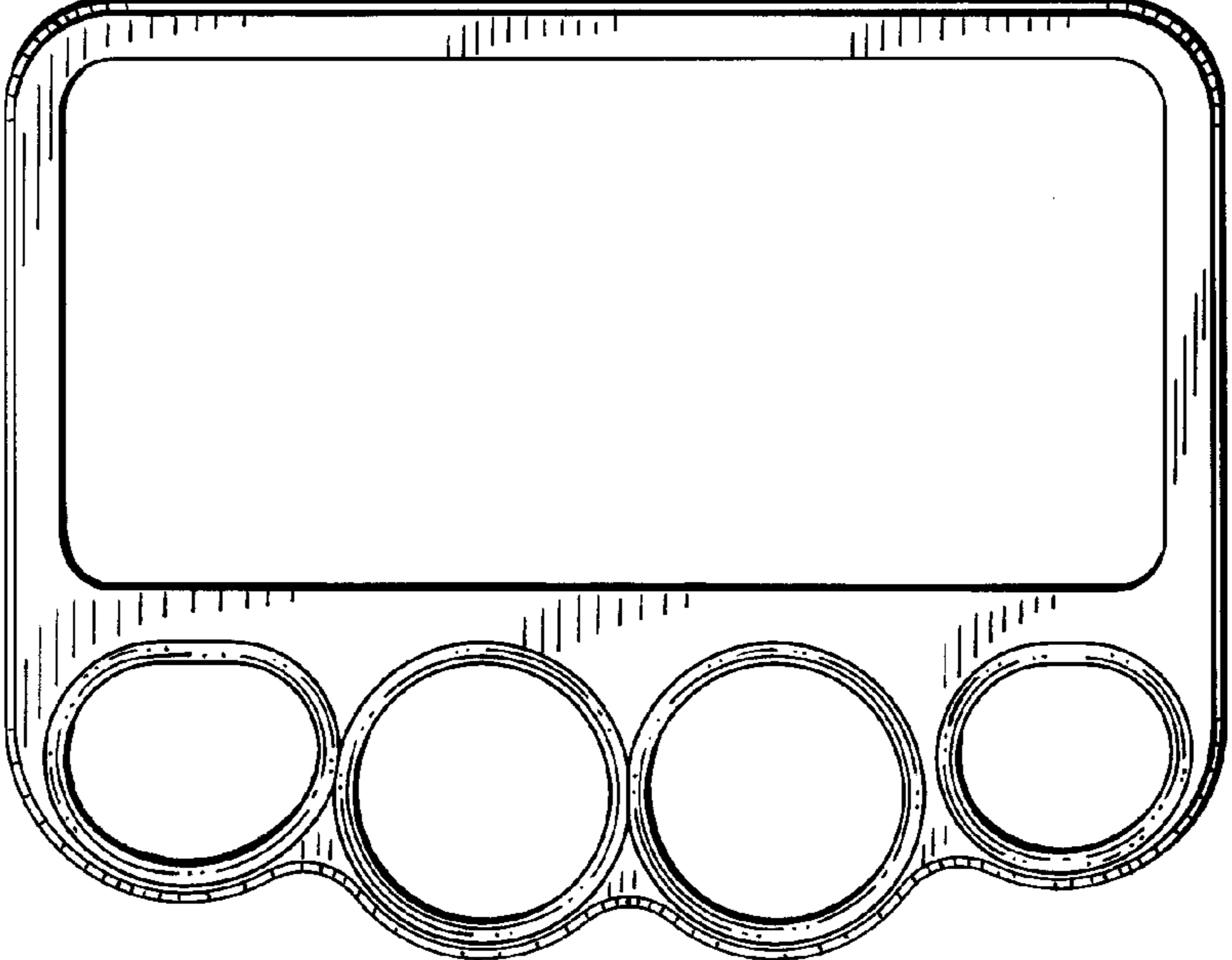


FIG. 8