



US00D674379S

(12) **United States Design Patent**  
**Suzuki et al.**

(10) **Patent No.:** **US D674,379 S**

(45) **Date of Patent:** **\*\* Jan. 15, 2013**

(54) **AUDIO VISUAL DEVICE**

D21/331; D6/477, 479, 300; 273/148 B;  
446/484, 175, 356; D10/15, 26

(75) Inventors: **Akio Suzuki**, Tokyo (JP); **Kazunori Kusuki**, Tokyo (JP); **Hidefumi Goto**, Tokyo (JP); **Hirohisa Tanaka**, Tokyo (JP); **Takuro Hibino**, Tokyo (JP); **Xiaofeng Song**, Beijing (CN); **Zhongsheng Hong**, Beijing (CN)

See application file for complete search history.

(73) Assignee: **Sony Corporation**, Tokyo (JP)

(\*\*) Term: **14 Years**

(21) Appl. No.: **29/347,897**

(22) Filed: **Jul. 16, 2010**

**Related U.S. Application Data**

(63) Continuation-in-part of application No. 29/347,774, filed on May 28, 2010, now Pat. No. Des. 666,171, which is a continuation of application No. 29/311,720, filed on Jun. 4, 2009, now Pat. No. Des. 617,313.

(30) **Foreign Application Priority Data**

Dec. 5, 2008 (CN) ..... 2008 3 0351483  
Dec. 5, 2008 (CN) ..... 2008 3 0351484  
Dec. 5, 2008 (CN) ..... 2008 3 0351485  
Dec. 5, 2008 (CN) ..... 2008 3 0351487  
Dec. 26, 2008 (JP) ..... D2008-033065  
Jan. 15, 2009 (CN) ..... 2009 3 0000711  
Jan. 19, 2009 (EM) ..... 001071856-3

(51) **LOC (9) Cl.** ..... **14-03**

(52) **U.S. Cl.** ..... **D14/239**

(58) **Field of Classification Search** ..... D14/125-134,  
D14/239, 371, 136, 374-377, 440, 450, 448,  
D14/336, 342, 434; 312/7.2; 348/836, 838,  
348/180, 184, 325, 739; 341/12; 248/917-924,  
248/465; 345/104, 133, 156, 168, 87, 173;  
720/605, 669, 600, 655; 369/99, 197; D21/329,  
D21/515, 577, 622, 333, 433, 448, 452, 450,

(56) **References Cited**

U.S. PATENT DOCUMENTS

D389,480 S 1/1998 Niitsu  
D403,320 S 12/1998 Niitsu  
D403,670 S \* 1/1999 Liao ..... D14/375  
D436,956 S 1/2001 Goto  
D473,534 S 4/2003 Ishibashi  
D525,245 S 7/2006 Goto  
D532,817 S 11/2006 Ishii  
D542,772 S 5/2007 Shimizu  
D551,208 S 9/2007 Yano

(Continued)

FOREIGN PATENT DOCUMENTS

JP D1278173 S 8/2006

*Primary Examiner* — Raphael Barkai  
*Assistant Examiner* — Randall Gholson  
(74) *Attorney, Agent, or Firm* — Rader, Fishman & Grauer PLLC

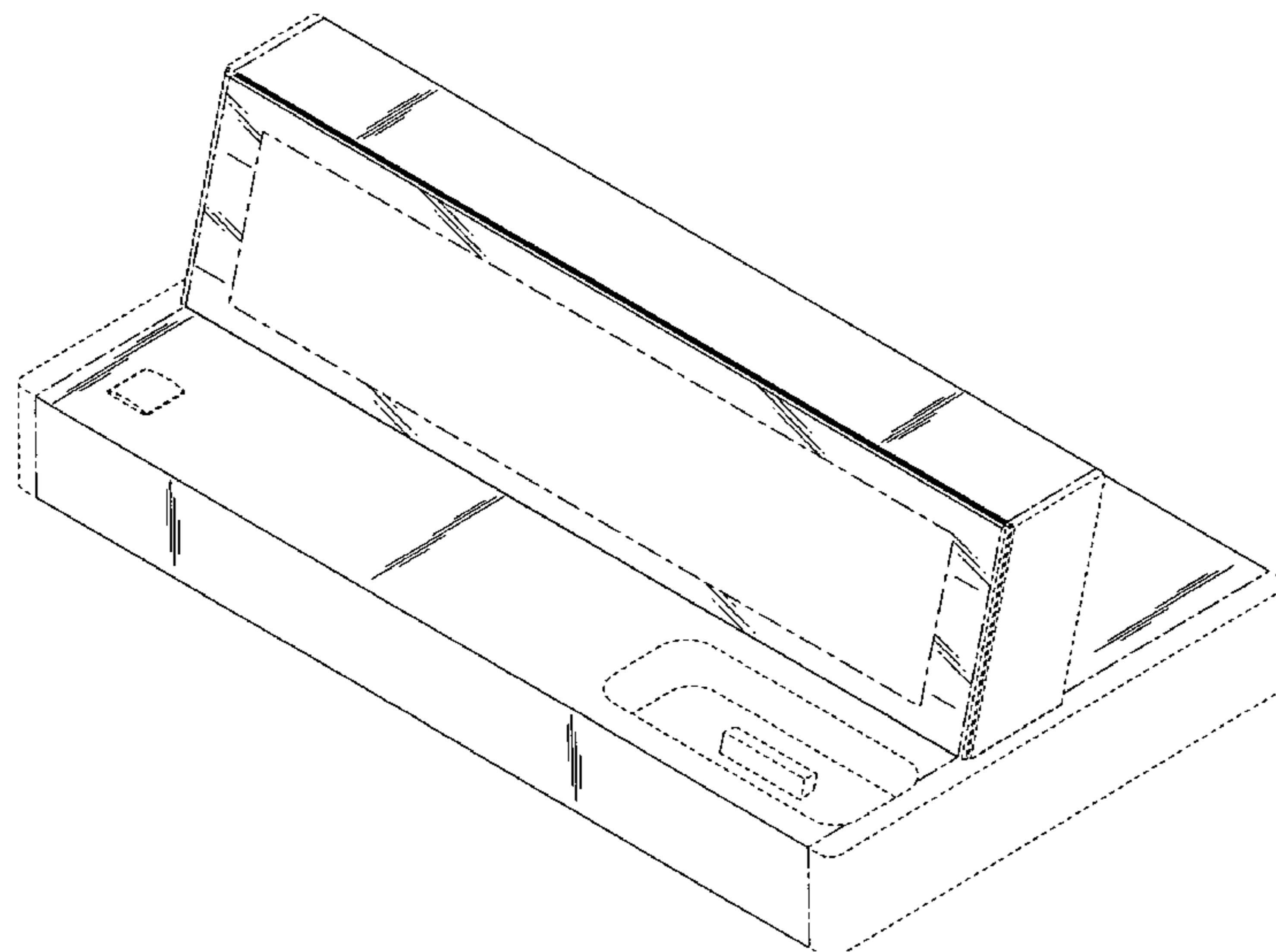
(57) **CLAIM**

The ornamental design for an audio visual device, as shown and described.

**DESCRIPTION**

FIG. 1 is a perspective view of an audio visual device showing our new design;  
FIG. 2 is a front elevational view thereof;  
FIG. 3 is a rear elevational view thereof;  
FIG. 4 is a top plan view thereof; and,  
FIG. 5 is a bottom plan view thereof.  
Portions in broken lines are for illustrative purposes only and form no part of claimed design. The dot-dash broken lines shown in drawings define, but are not included in, the boundaries of the claimed design.

**1 Claim, 4 Drawing Sheets**



# US D674,379 S

Page 2

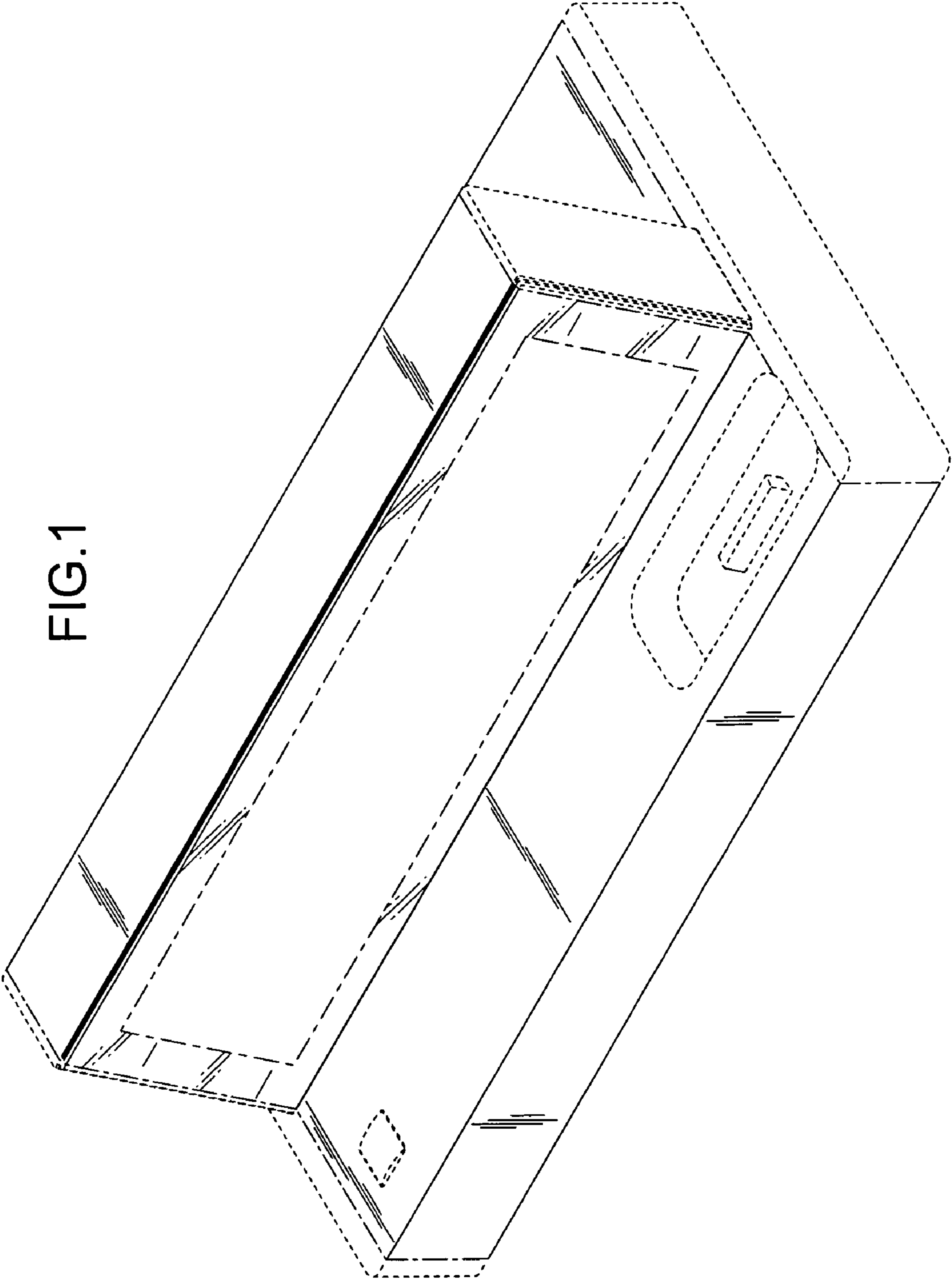
---

## U.S. PATENT DOCUMENTS

D556,185 S	11/2007	Motoishi		D617,313 S	6/2010	Iseki	
D563,915 S *	3/2008	Profit .....	D14/126	D647,520 S *	10/2011	Wikel .....	D14/253
D568,315 S	5/2008	Yano		8,068,336 B2 *	11/2011	Crooijmans et al. ....	361/679.41
D568,316 S	5/2008	Yano		D659,578 S *	5/2012	Hess et al. ....	D10/106.6
D583,360 S	12/2008	Gredler		D659,670 S *	5/2012	Goetzen et al. ....	D14/194
D596,156 S	7/2009	Morisawa		2006/0250764 A1 *	11/2006	Howarth et al. ....	361/683
7,719,830 B2 *	5/2010	Howarth et al. ....	361/679.41	2007/0217145 A1 *	9/2007	Sung .....	361/686

\* cited by examiner

FIG.1



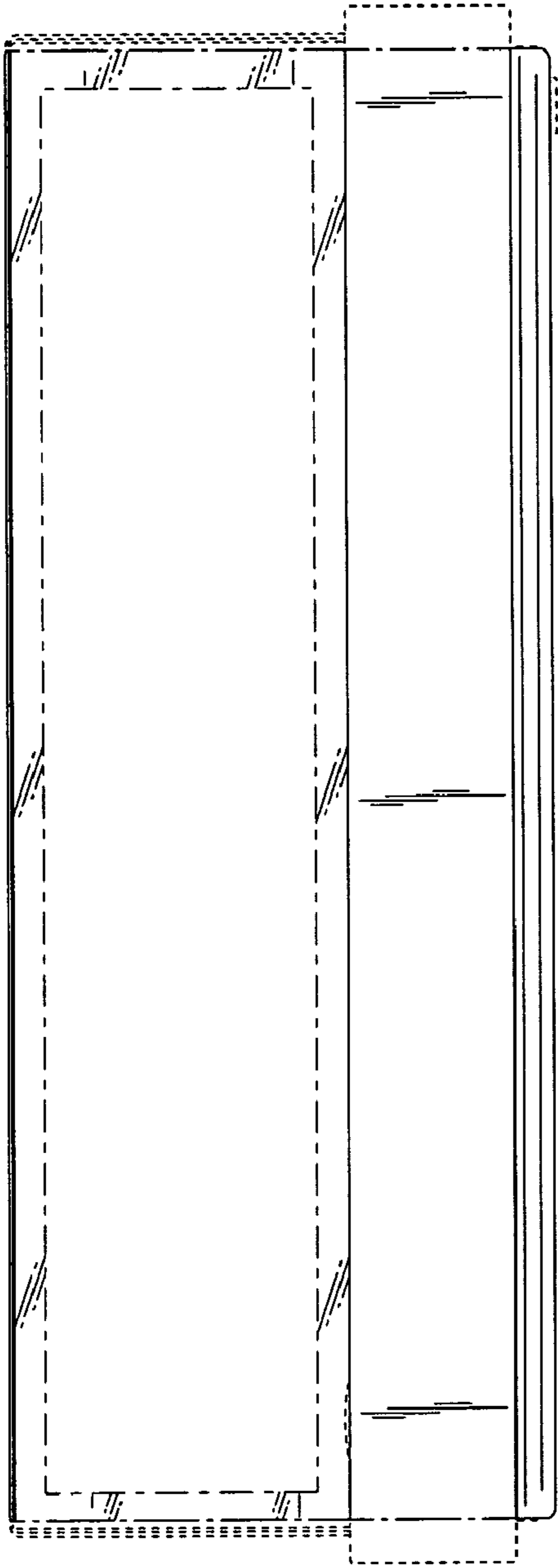


FIG. 2

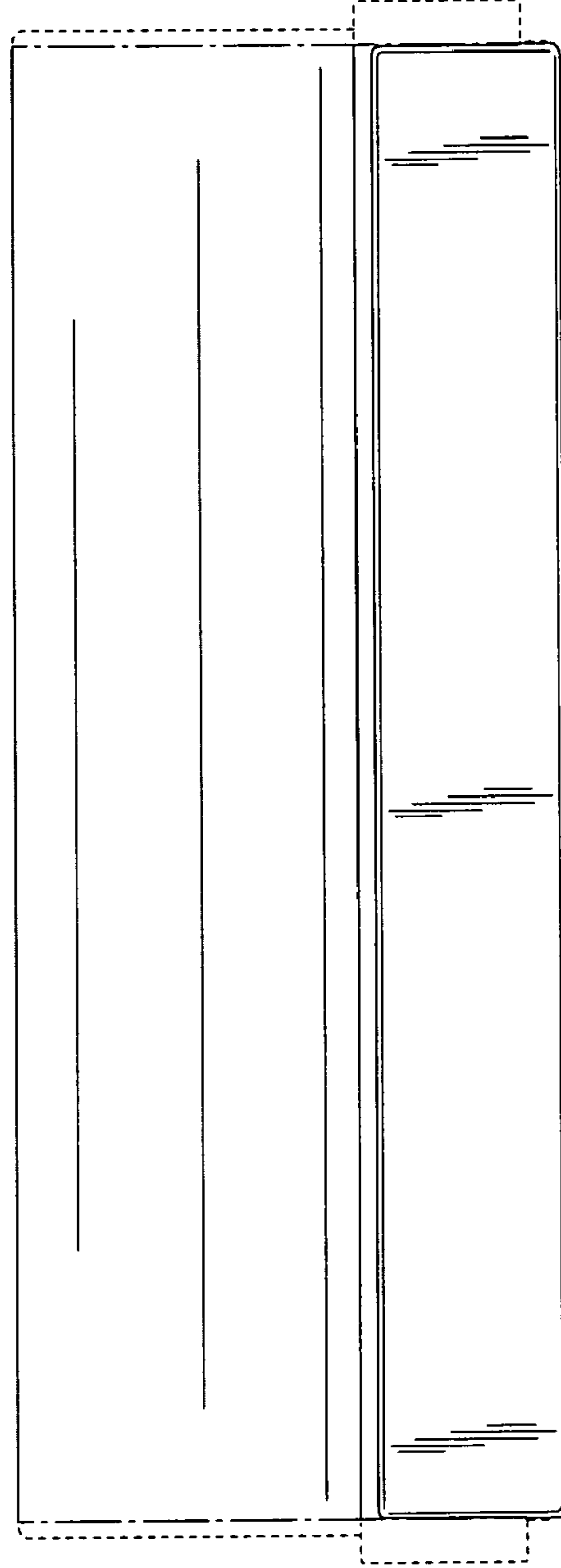


FIG. 3

FIG.4

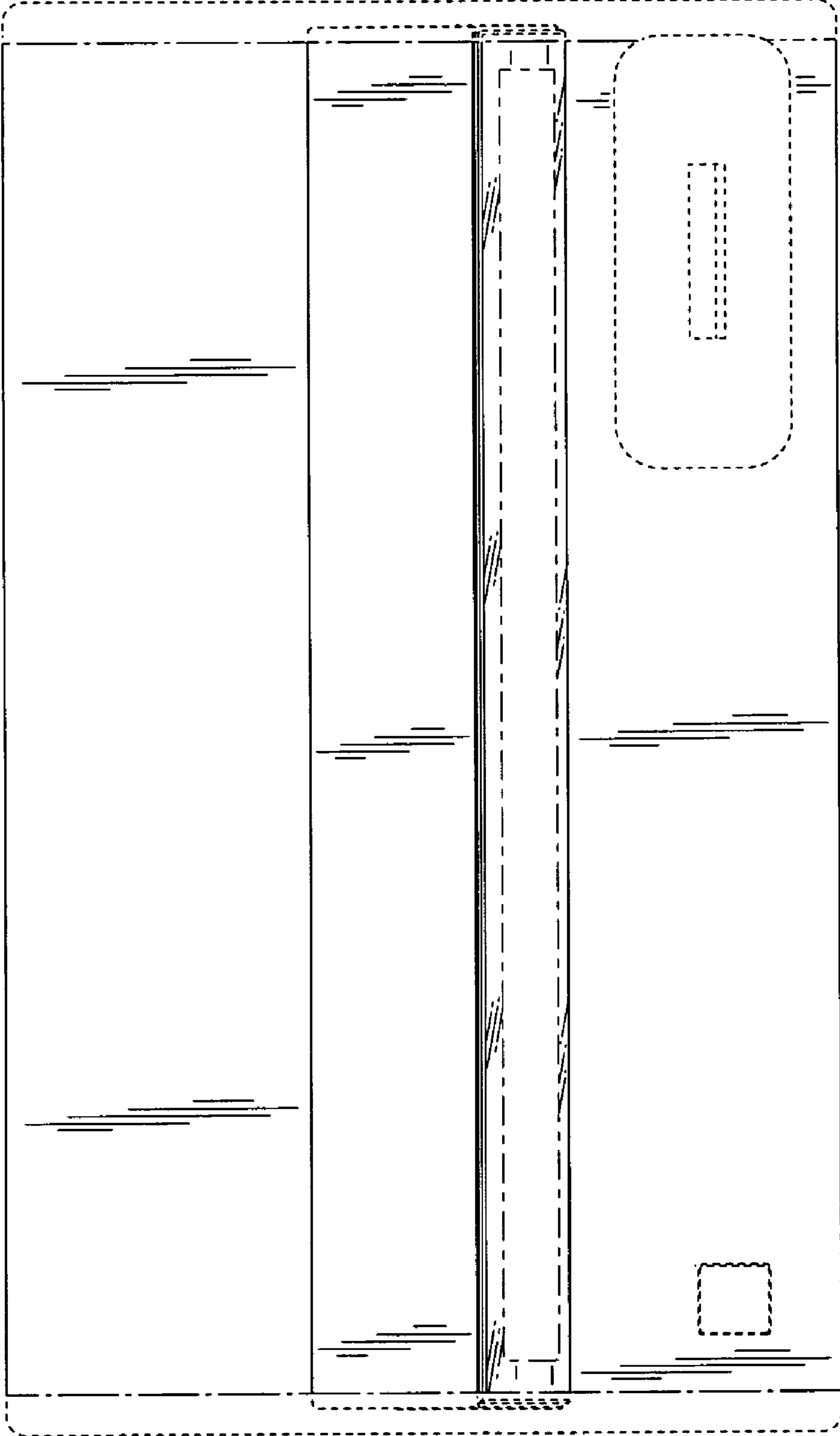


FIG. 5

