



US00D674378S

(12) **United States Design Patent**  
**Ishinabe**

(10) **Patent No.:** **US D674,378 S**  
(45) **Date of Patent:** **\*\* Jan. 15, 2013**

(54) **IN-VEHICLE SPEAKER PANEL**  
(75) Inventor: **Hidetaka Ishinabe**, Saitama (JP)  
(73) Assignee: **Clarion Co., Ltd.**, Saitama (JP)  
(\*\*) Term: **14 Years**  
(21) Appl. No.: **29/411,225**  
(22) Filed: **Jan. 18, 2012**

6,282,297 B1 \* 8/2001 Lin ..... 381/386  
D476,313 S \* 6/2003 Rivera ..... D14/216  
D480,070 S \* 9/2003 Hakoda ..... D14/216  
D488,801 S \* 4/2004 Shindo et al. .... D14/216  
D525,236 S \* 7/2006 Hibi ..... D14/221  
D532,771 S \* 11/2006 Motoishi ..... D14/211  
D534,158 S \* 12/2006 Yokoyama ..... D14/211  
D541,790 S \* 5/2007 Yoon ..... D14/215  
D591,725 S \* 5/2009 Komiyama ..... D14/215  
D593,070 S \* 5/2009 Komiyama ..... D14/215  
D597,076 S \* 7/2009 Komiyama ..... D14/215  
D602,909 S \* 10/2009 Cho ..... D14/215  
D629,389 S \* 12/2010 Kitayama ..... D14/215  
D656,486 S \* 3/2012 Parraga Gimeno ..... D14/216

(30) **Foreign Application Priority Data**  
Jul. 27, 2011 (JP) ..... 2011-017260  
(51) **LOC (9) Cl.** ..... **14-01**  
(52) **U.S. Cl.** ..... **D14/224**  
(58) **Field of Classification Search** ..... D14/204,  
D14/210, 215, 216, 217, 219, 221, 211, 224,  
D14/224.1, 157; 381/332, 336, 395; 360/99.02;  
369/75.11; D12/114  
See application file for complete search history.

\* cited by examiner

*Primary Examiner* — Paula Greene  
(74) *Attorney, Agent, or Firm* — McDermott Will & Emery  
LLP

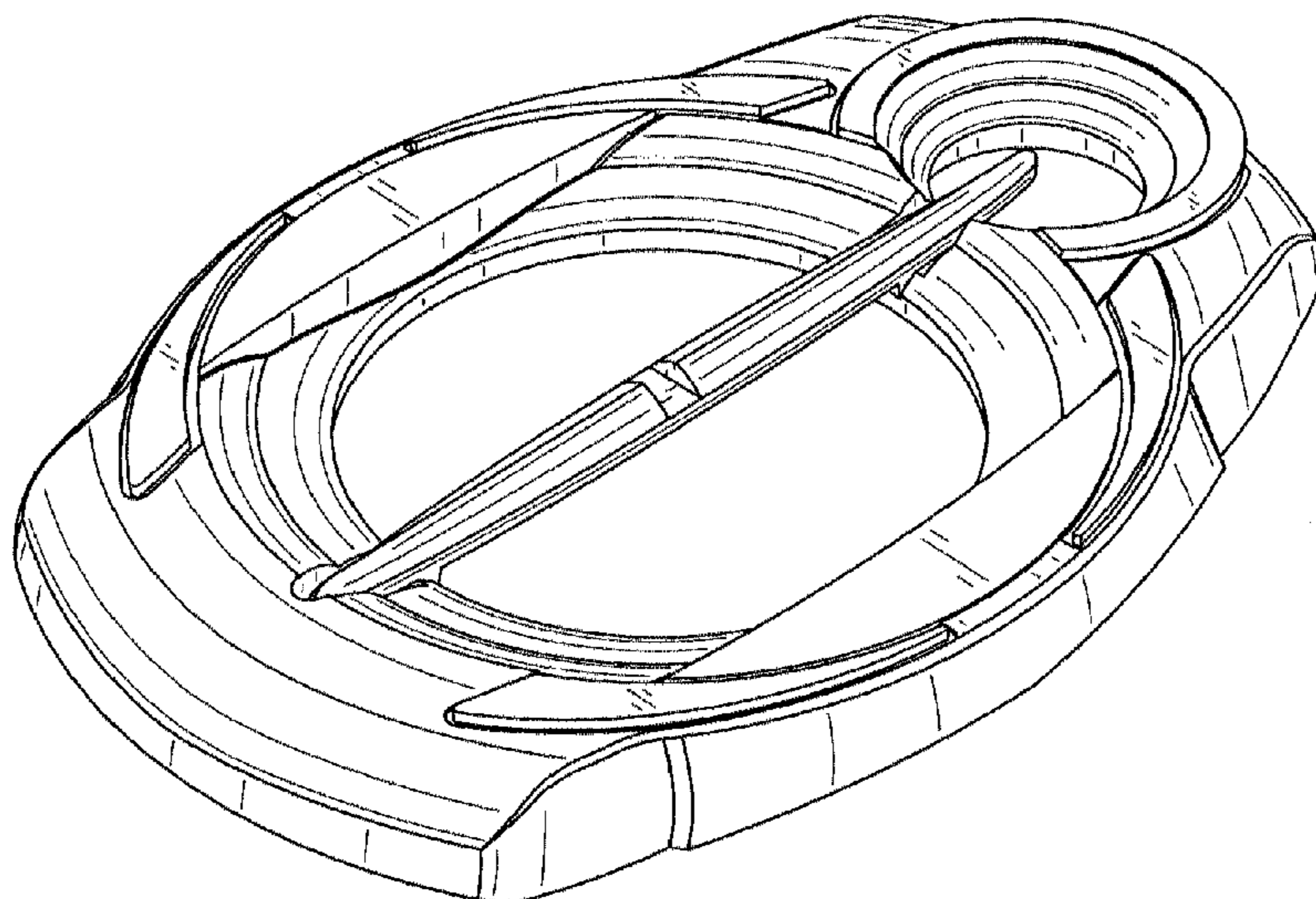
(57) **CLAIM**  
The ornamental design for an in-vehicle speaker panel, as  
shown and described.

(56) **References Cited**  
**U.S. PATENT DOCUMENTS**  
2,205,669 A \* 6/1940 Pye ..... 381/395  
2,924,290 A \* 2/1960 Zuerker ..... 381/189  
D191,403 S \* 9/1961 Perry ..... D14/224  
3,952,934 A \* 4/1976 Zahn ..... 227/88  
D254,130 S \* 2/1980 Iijima ..... D14/215  
D254,252 S \* 2/1980 Matsubara ..... D14/216  
D254,490 S \* 3/1980 Matsubara ..... D14/215  
D264,209 S \* 5/1982 Ishizaki ..... D14/215  
D273,008 S \* 3/1984 Ishizaki ..... D14/215  
D284,002 S \* 5/1986 Takagi ..... D14/215  
D284,281 S \* 6/1986 Takagi ..... D14/215  
4,672,675 A \* 6/1987 Powell et al. .... 381/182  
4,811,406 A \* 3/1989 Kawachi ..... 381/186  
4,837,839 A \* 6/1989 Andrews ..... 381/182  
D357,480 S \* 4/1995 Lumsden et al. .... D14/224  
D359,494 S \* 6/1995 Hedaya ..... D14/224

**DESCRIPTION**

FIG. 1 is a right-bottom perspective view of an in-vehicle  
speaker panel;  
FIG. 2 is a left-bottom perspective view thereof;  
FIG. 3 is a right-top perspective view thereof;  
FIG. 4 is a left-top perspective view thereof;  
FIG. 5 is a front view thereof;  
FIG. 6 is a rear view thereof;  
FIG. 7 is a left side view thereof;  
FIG. 8 is a right side view thereof;  
FIG. 9 is a top view thereof; and,  
FIG. 10 is a bottom view thereof.  
The broken lines in the drawings illustrate environmental  
subject matter only and form no part of the claimed design.

**1 Claim, 9 Drawing Sheets**



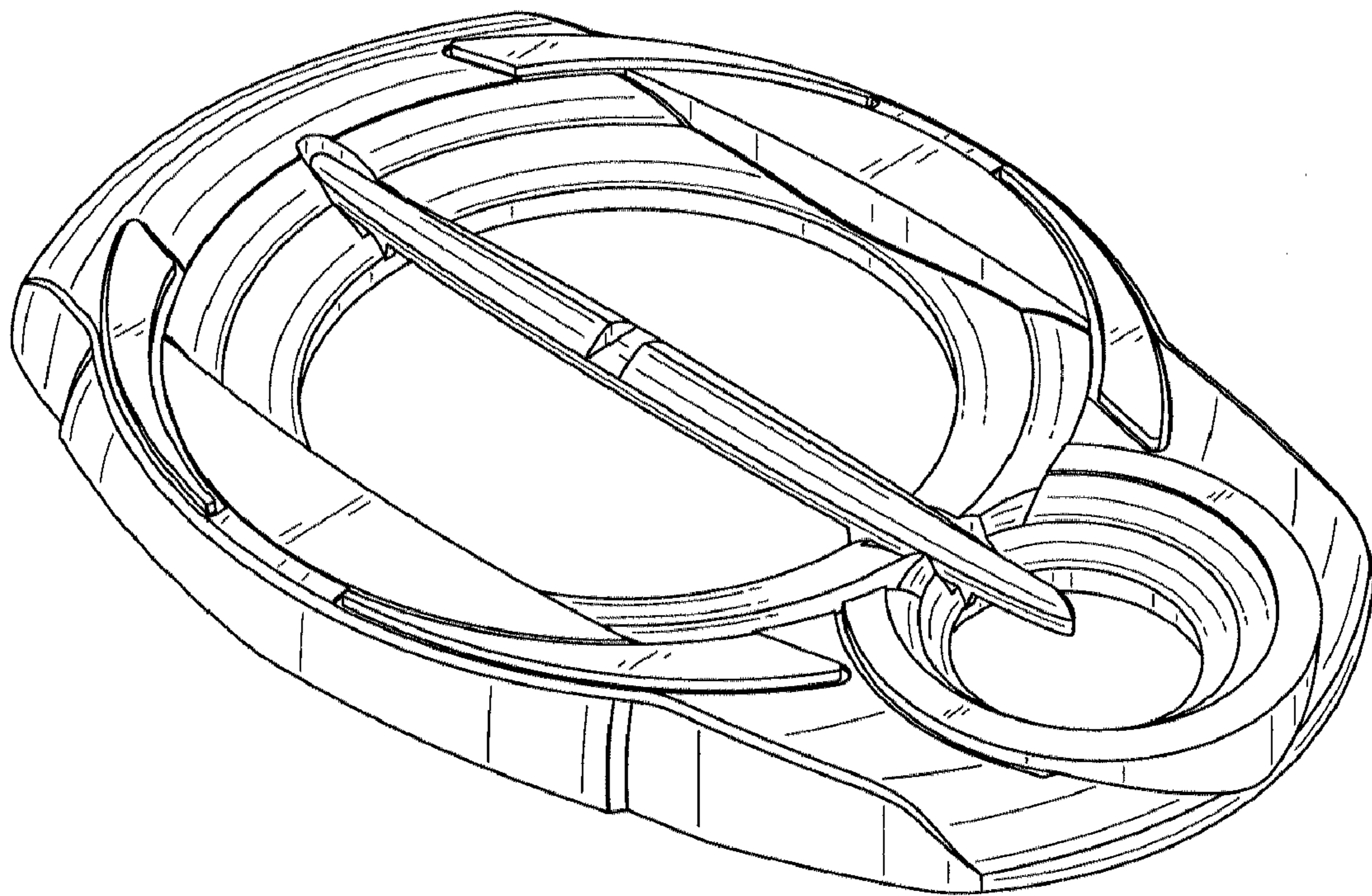


FIG. 1

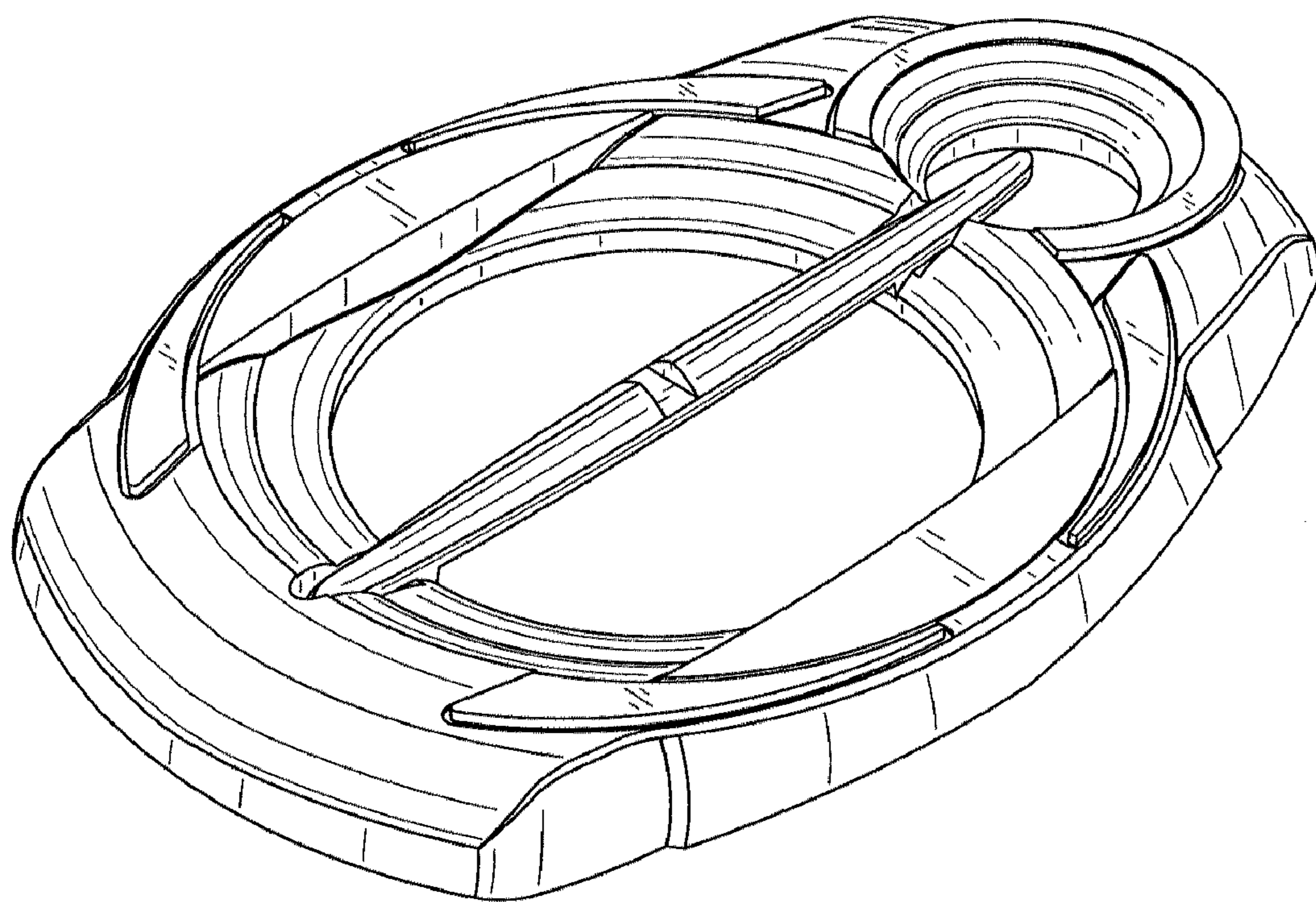


FIG. 2

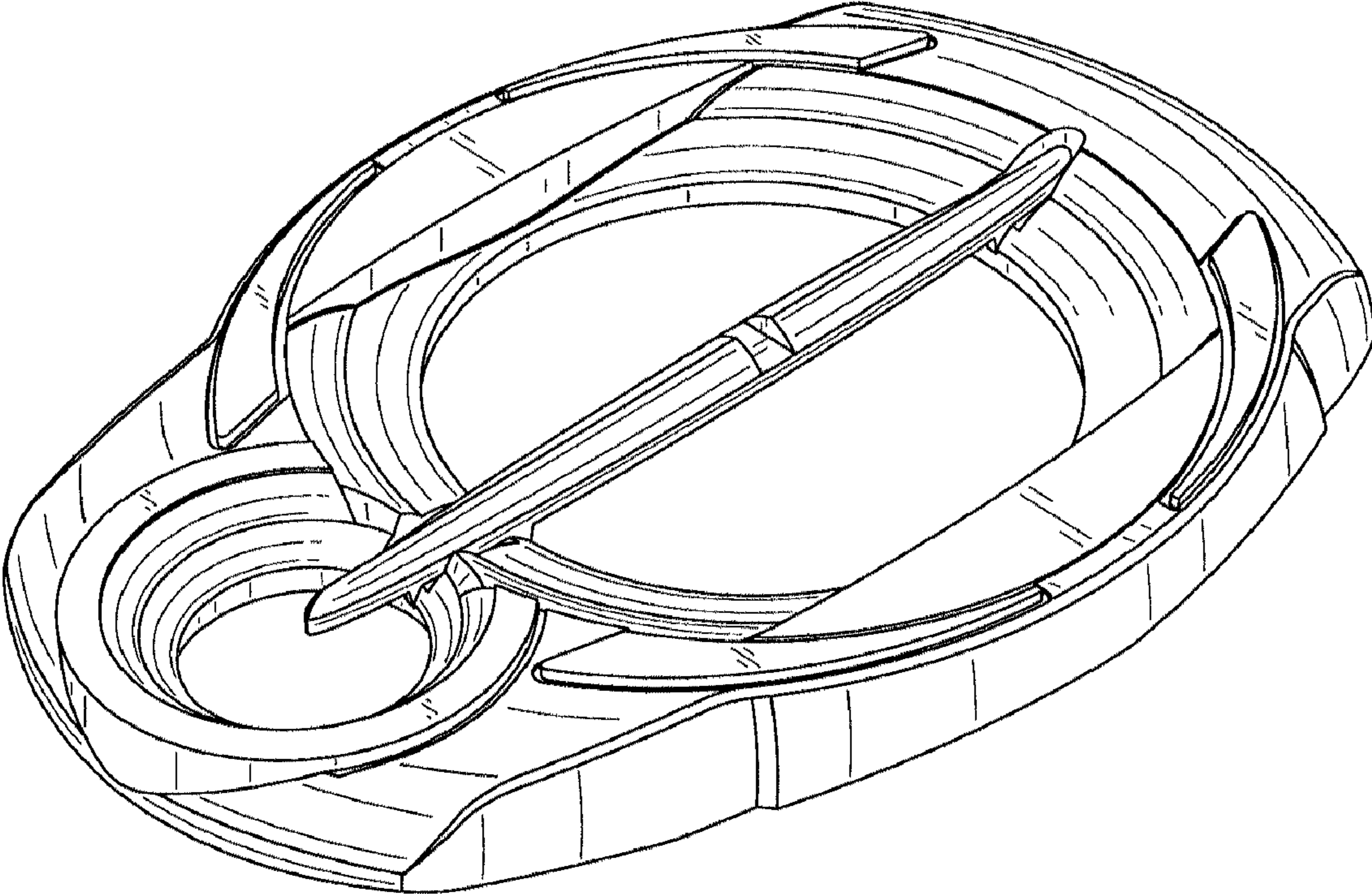


FIG. 3

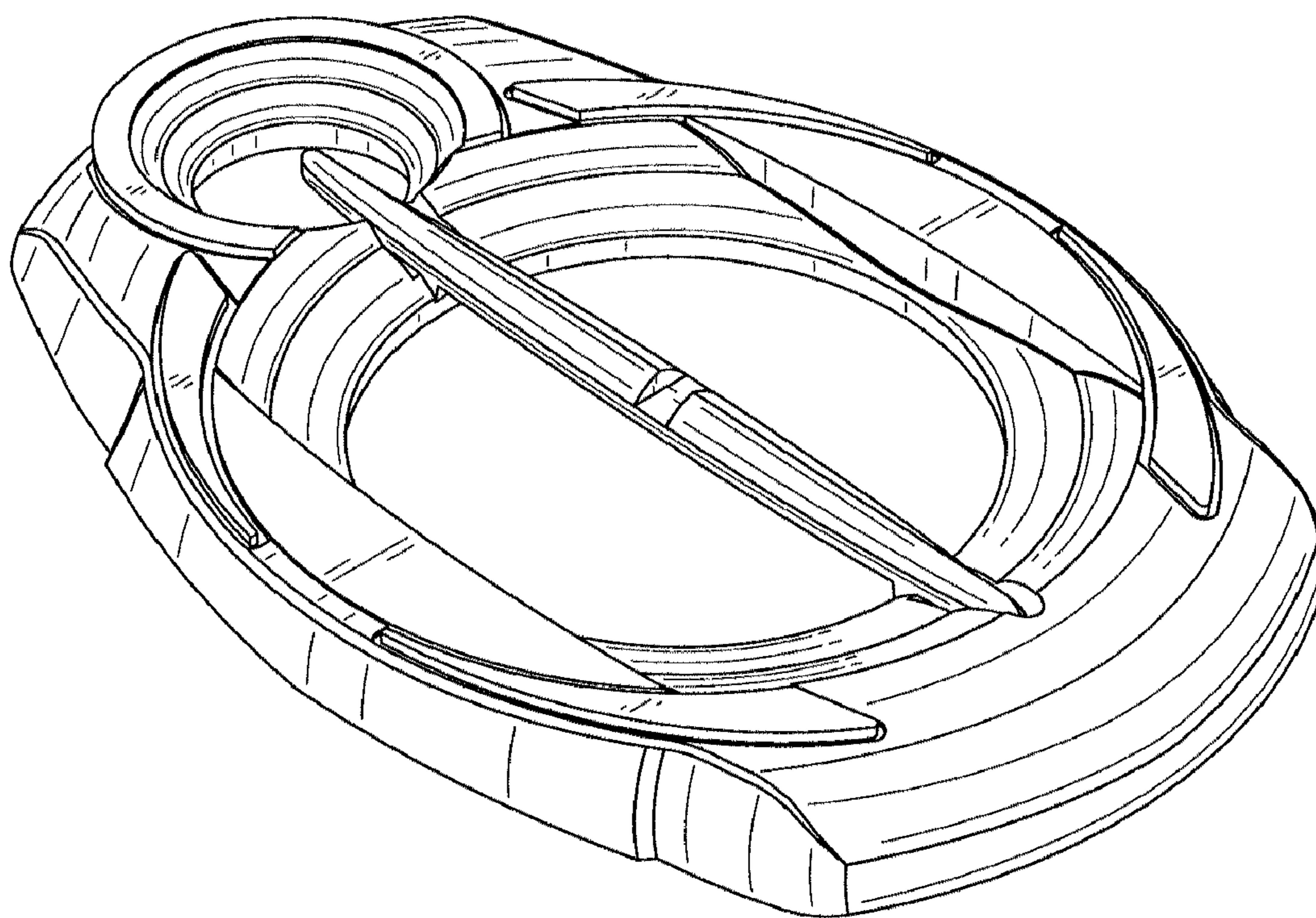


FIG. 4

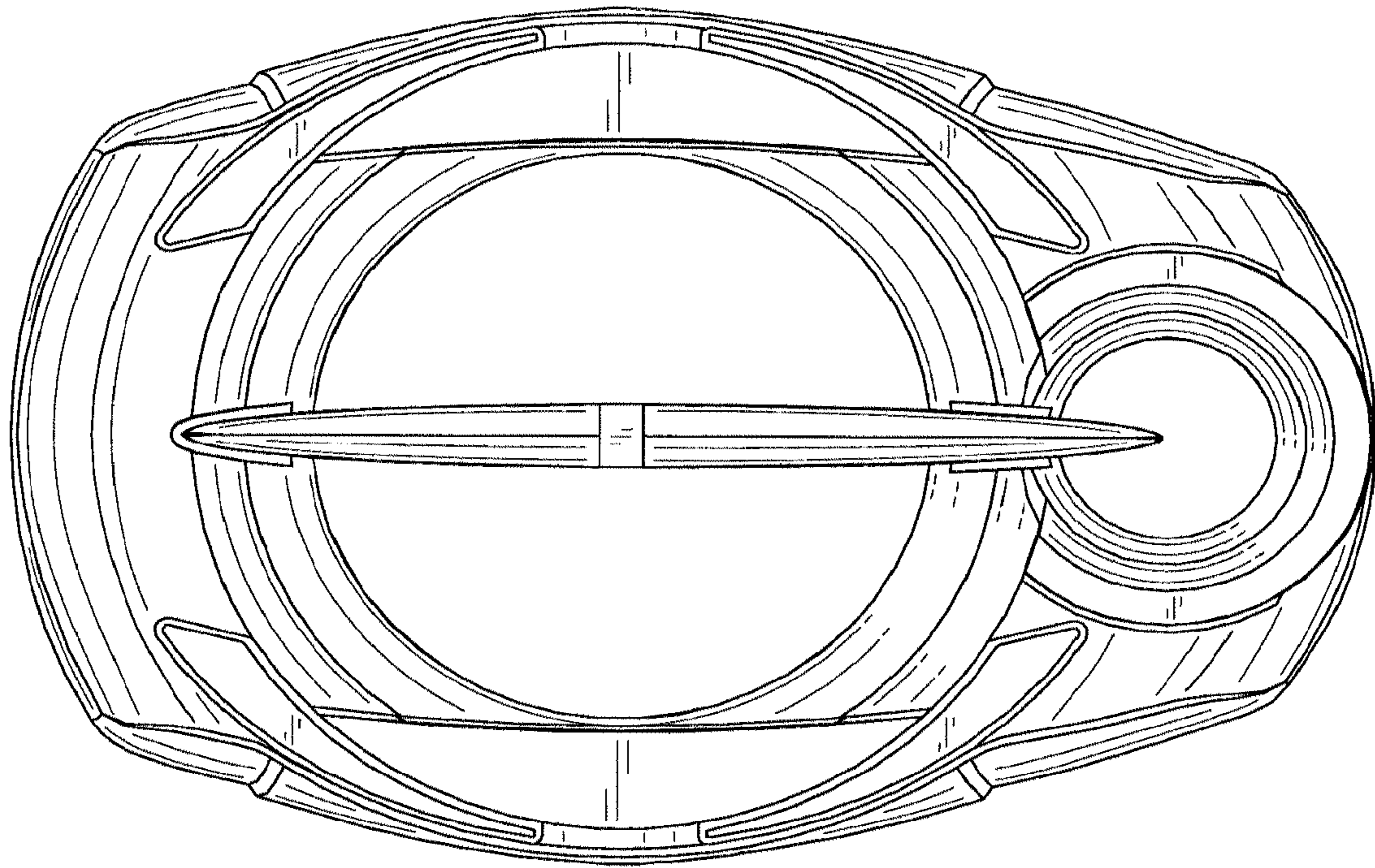


FIG. 5

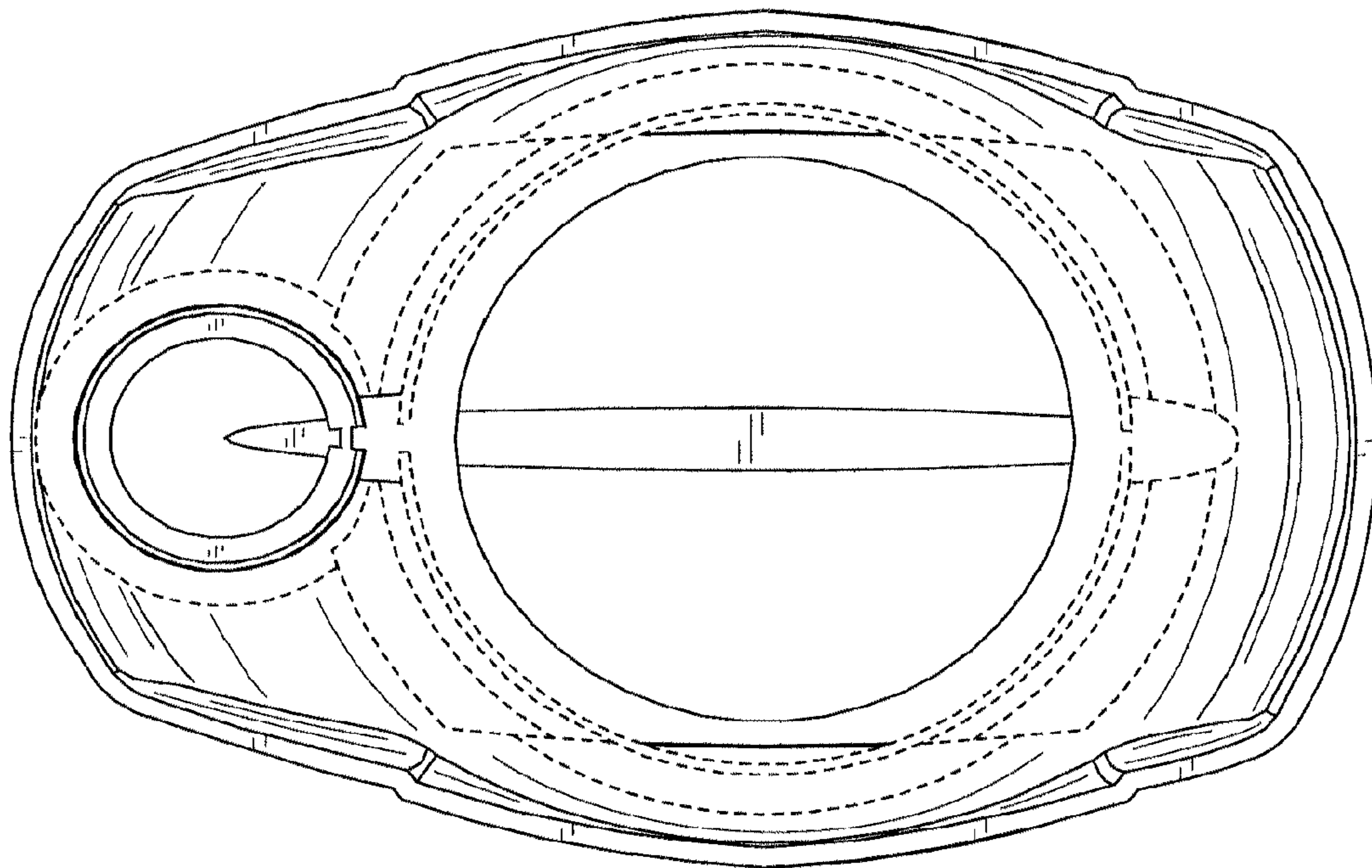


FIG. 6

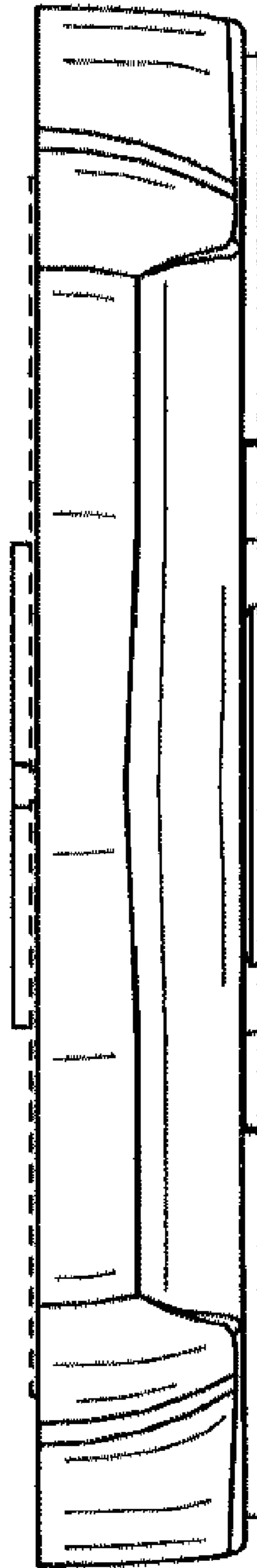


FIG. 7



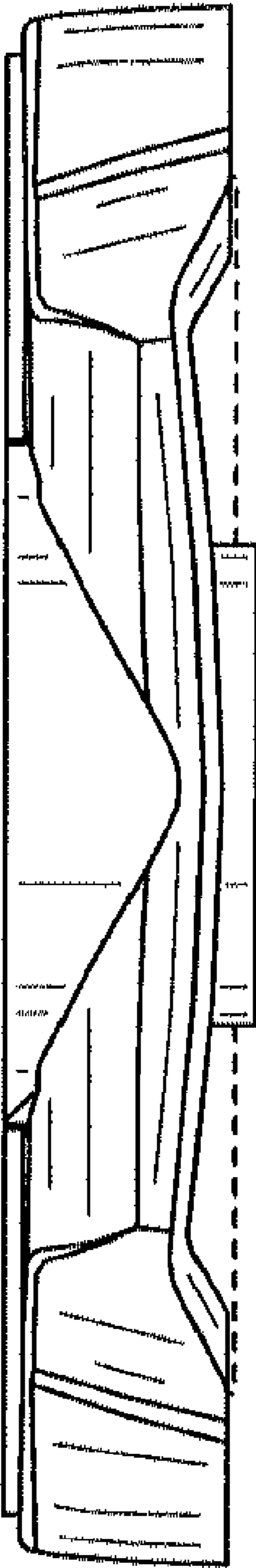


FIG. 8



FIG. 9

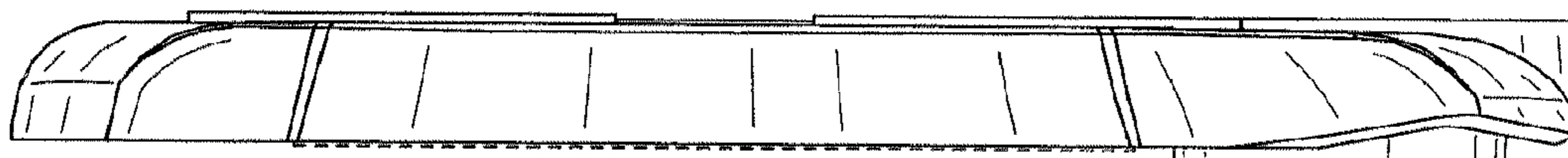


FIG. 10