



US00D674377S

(12) **United States Design Patent**
Schaefer

(10) **Patent No.:** **US D674,377 S**
(45) **Date of Patent:** **** Jan. 15, 2013**

(54) **AUDIO HEADSET**

(75) Inventor: **Stephen J. Schaefer**, Laguna Niguel,
CA (US)

(73) Assignee: **SJS & Sons, Inc.**, Laguna Niguel, CA
(US)

(**) Term: **14 Years**

(21) Appl. No.: **29/409,042**

(22) Filed: **Dec. 20, 2011**

(51) **LOC (9) Cl.** **14-01**

(52) **U.S. Cl.** **D14/223**

(58) **Field of Classification Search** D14/205,
D14/206, 223; 181/128, 129, 130, 135; 379/430,
379/431; 381/380, 381, 338; D24/174; 128/864,
128/865; 455/90.3, 575.2

See application file for complete search history.

(56) **References Cited**

U.S. PATENT DOCUMENTS

2,508,918	A *	5/1950	Hines, Jr.	455/351
5,373,555	A *	12/1994	Norris et al.	379/430
5,410,608	A *	4/1995	Lucey et al.	381/360
D457,514	S *	5/2002	Marion et al.	D14/223

6,574,345	B1 *	6/2003	Huang	381/380
D519,108	S *	4/2006	Yang	D14/223
D554,627	S *	11/2007	Gondo	D14/223
D562,809	S *	2/2008	Yang	D14/223
D567,217	S *	4/2008	Kamo et al.	D14/205
D573,978	S *	7/2008	Ledbetter et al.	D14/205
D589,493	S *	3/2009	Densho	D14/206
D594,441	S *	6/2009	Lee et al.	D14/205
7,551,748	B2 *	6/2009	Kamo et al.	381/380
D606,972	S *	12/2009	Schaefer	D14/205
D611,934	S *	3/2010	Schaefer	D14/223

* cited by examiner

Primary Examiner — Paula Greene

(74) *Attorney, Agent, or Firm* — K. David Crockett, Esq.;
Niky Economy Syrengelas, Esq.; Crockett & Crockett, PC

(57) **CLAIM**

The ornamental design for an audio headset, as shown and described.

DESCRIPTION

FIG. 1 is a perspective view thereof of an audio headset showing my new design;

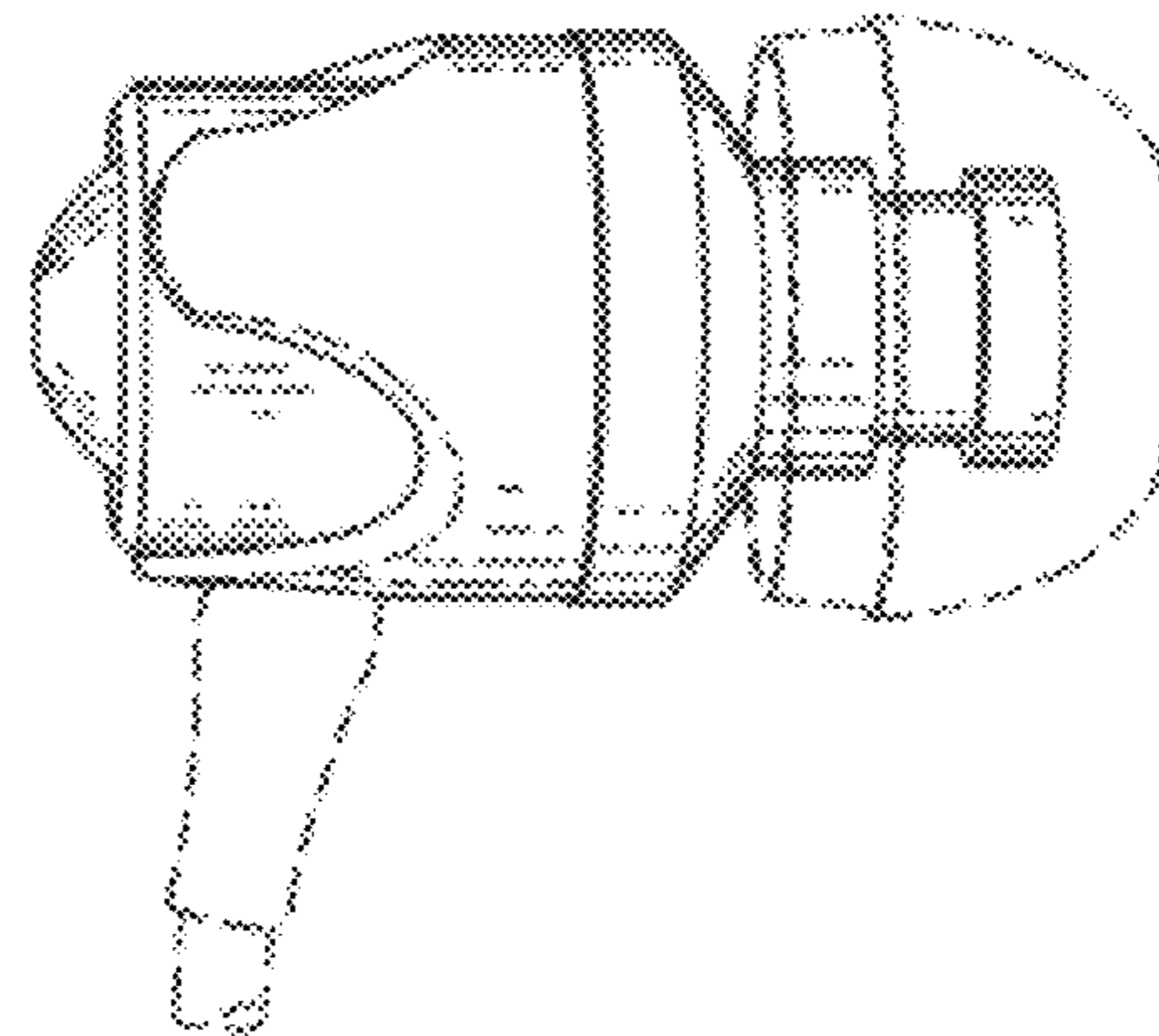
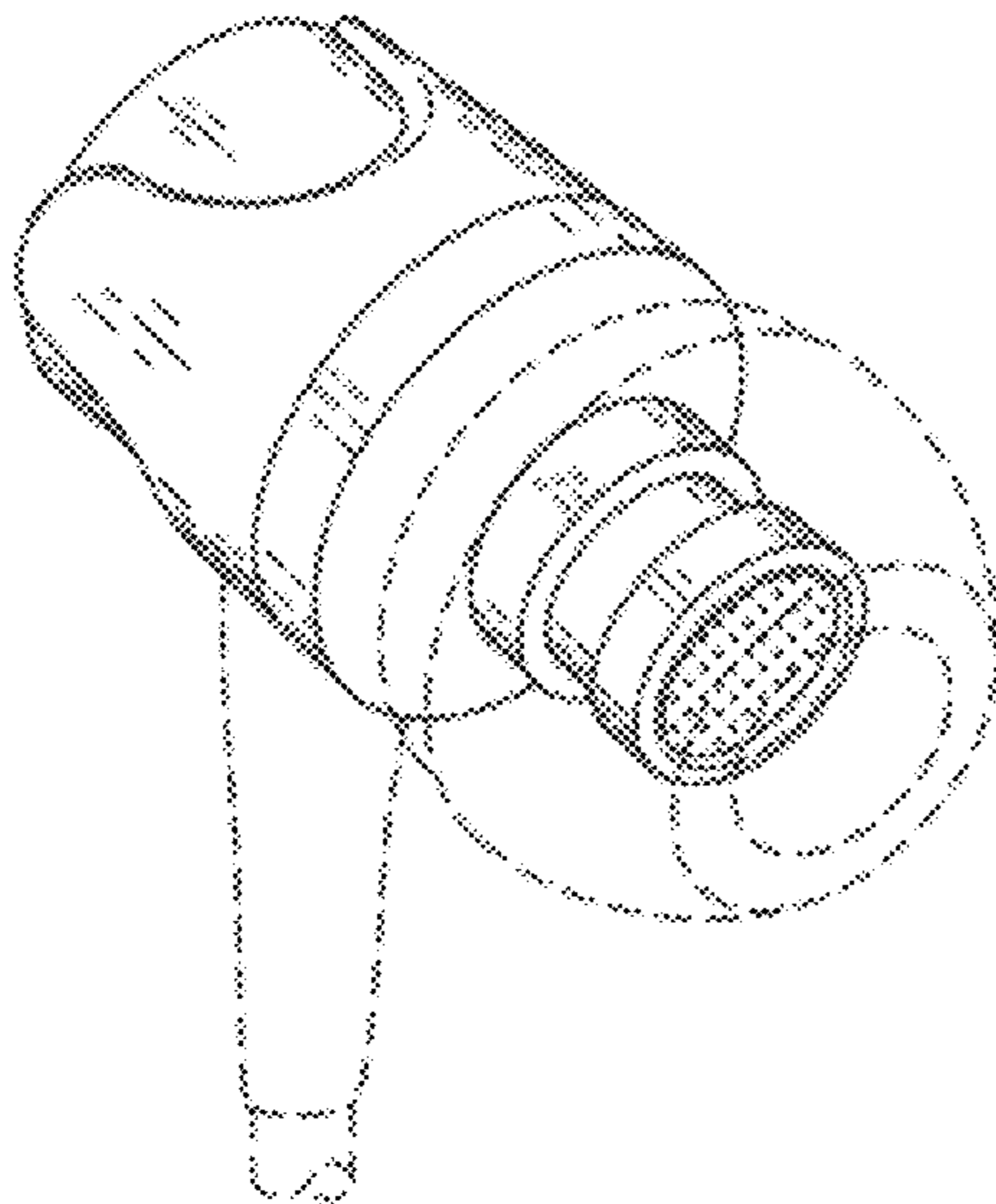
FIG. 2 is a top view thereof;

FIG. 3 is a side view thereof; and,

FIG. 4 is a front view thereof.

The broken lines form no part of the claimed design.

1 Claim, 2 Drawing Sheets



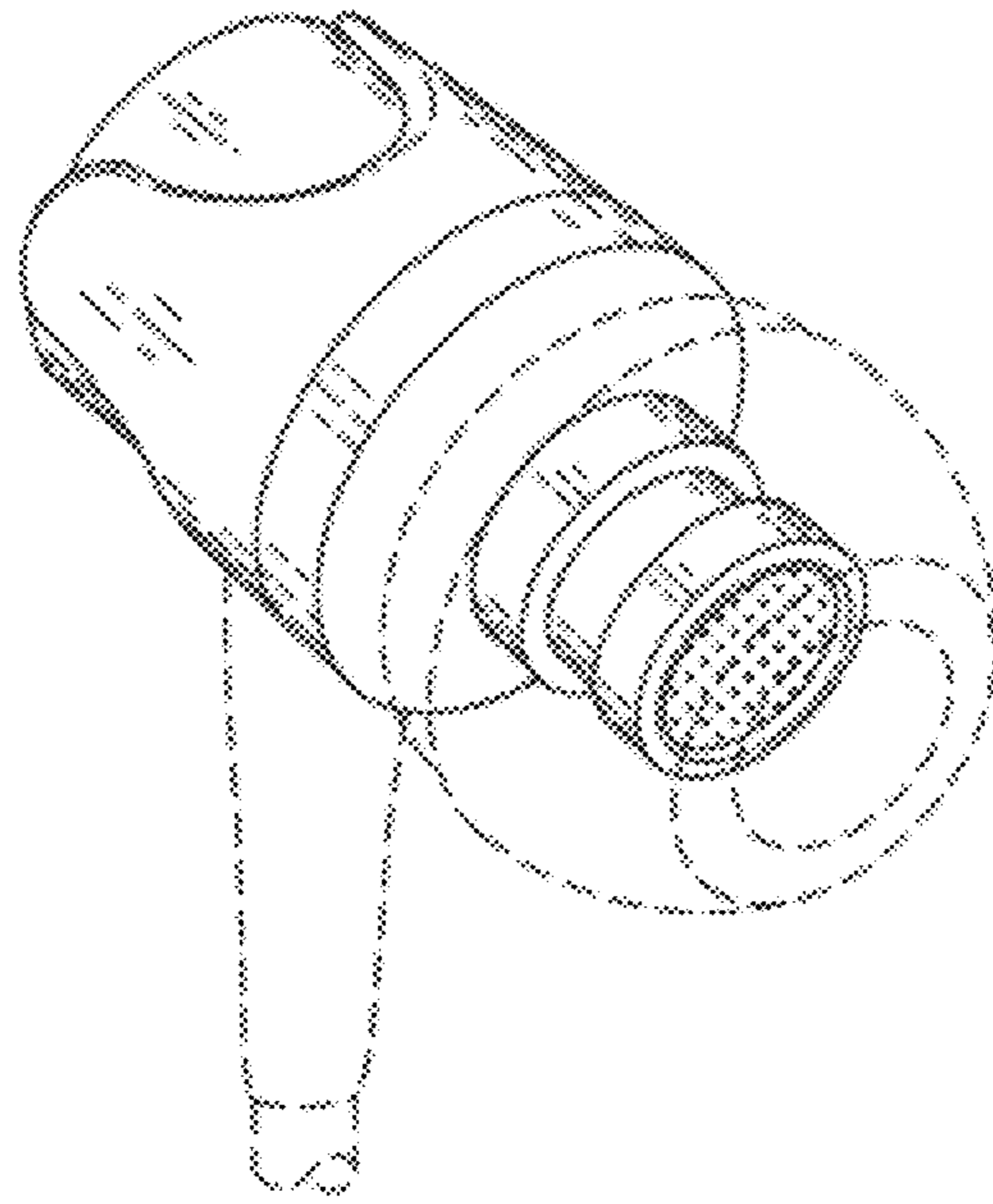


Fig. 1

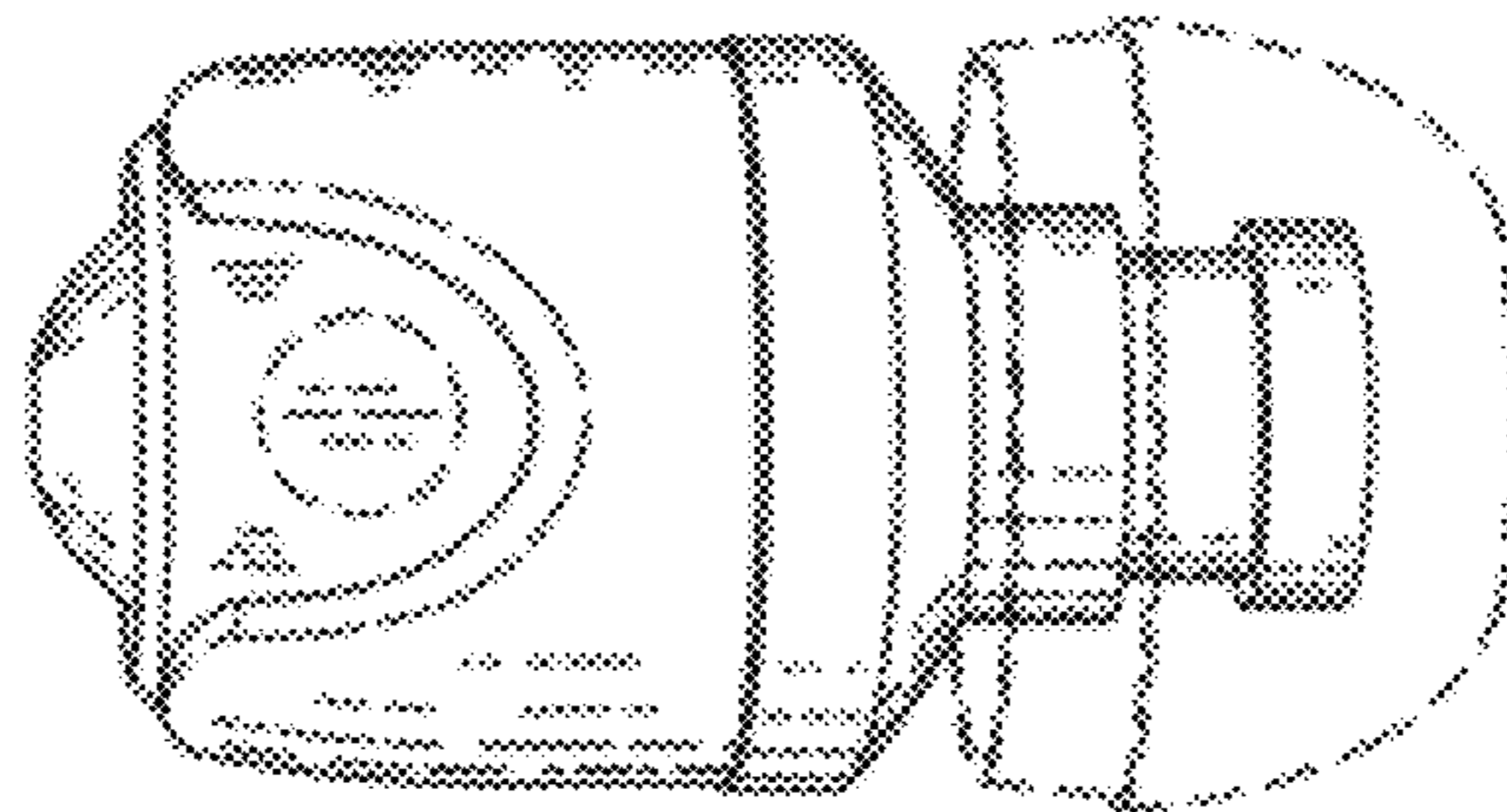


Fig. 2

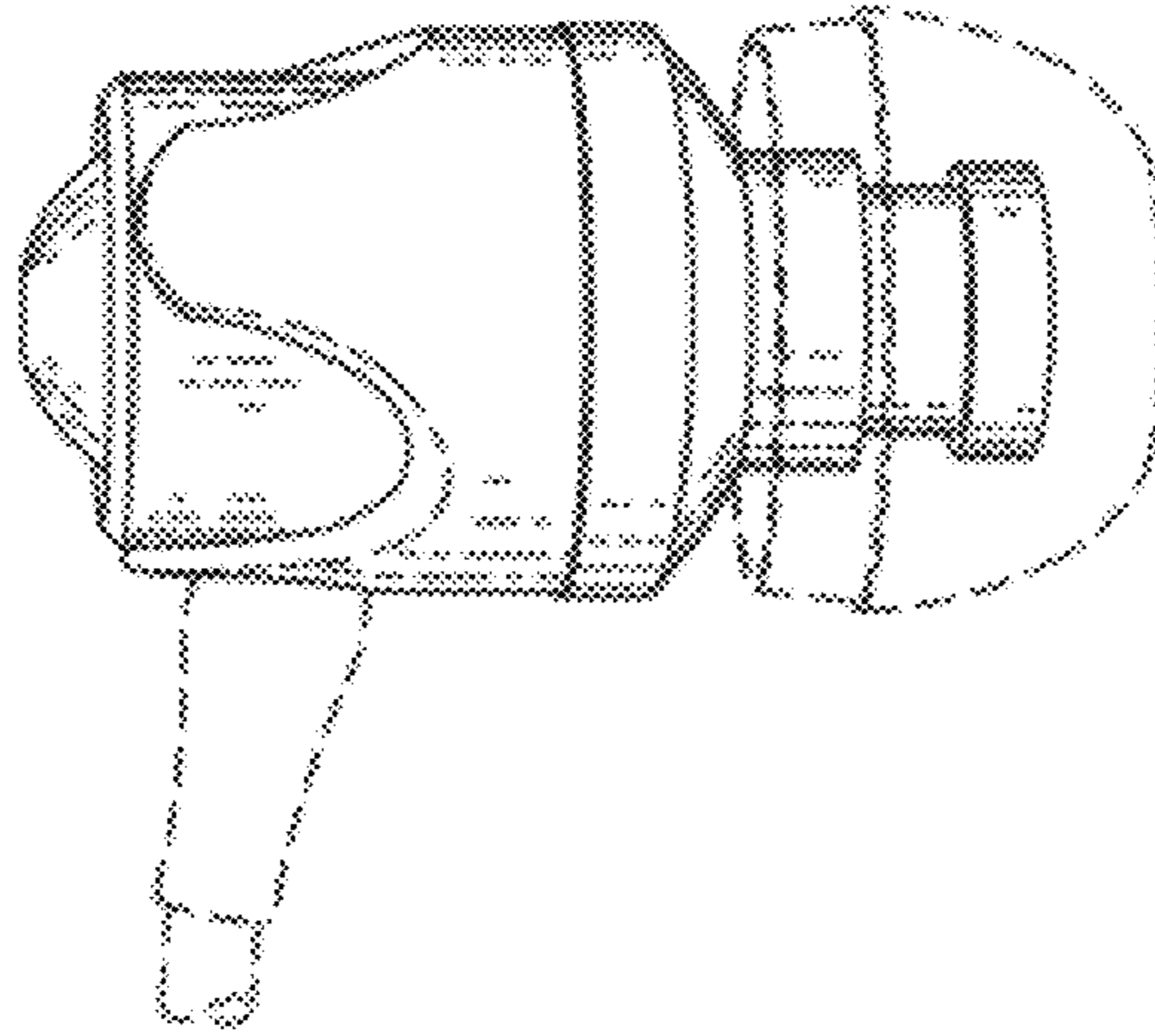


Fig. 3

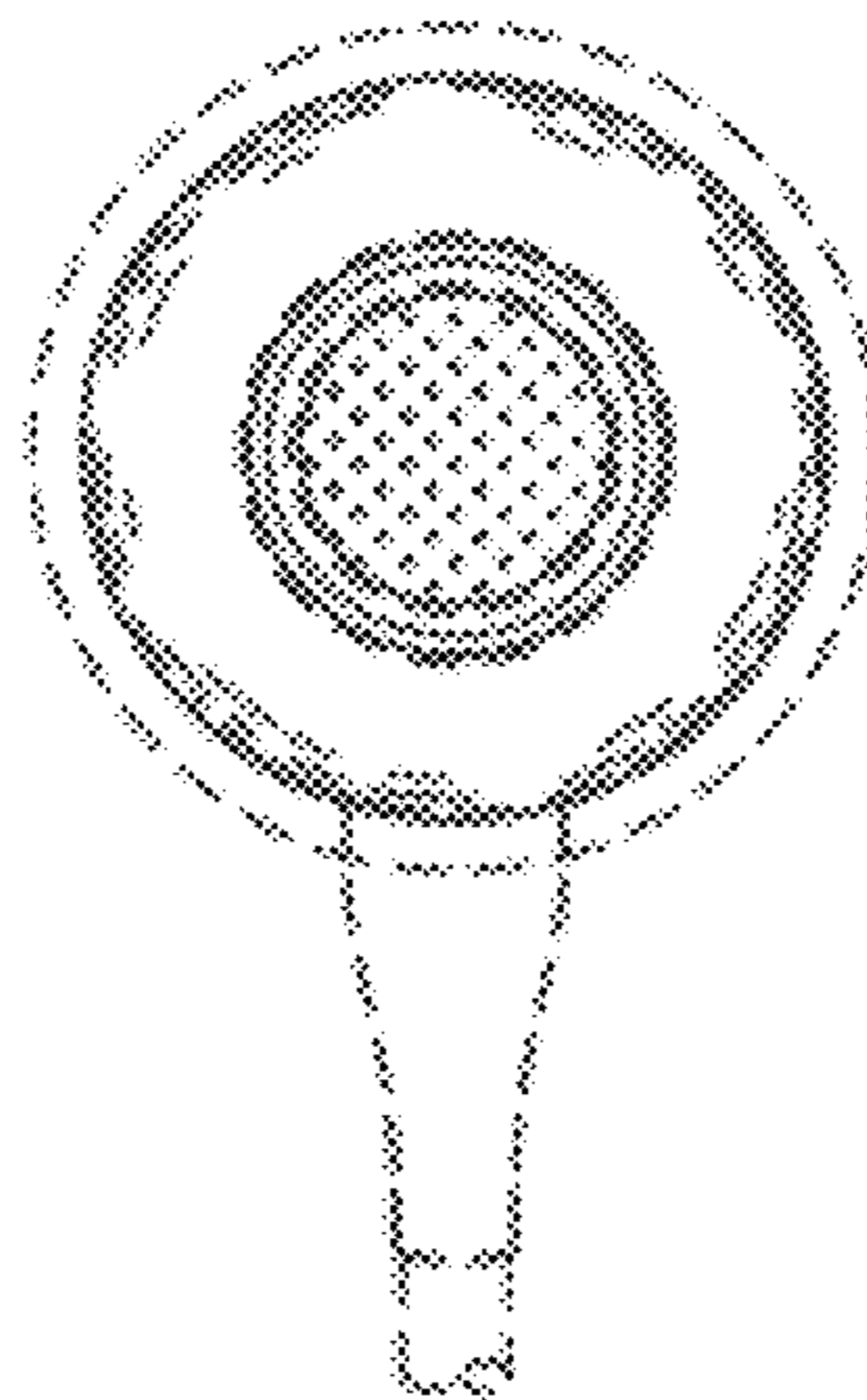


Fig. 4