



US00D674376S

(12) **United States Design Patent**
Kelly et al.

(10) **Patent No.:** **US D674,376 S**
(45) **Date of Patent:** **** Jan. 15, 2013**

(54) **HEADPHONE**

(75) Inventors: **Peter M. Kelly**, Park City, UT (US);
Daniel A. Levine, Newport Beach, CA
(US); **Donald C. Stiff**, Park City, UT
(US)

(73) Assignee: **Skull Candy, Inc.**, Park City, UT (US)

(**) Term: **14 Years**

(21) Appl. No.: **29/403,736**

(22) Filed: **Oct. 10, 2011**

(51) **LOC (9) Cl.** **14-01**

(52) **U.S. Cl.** **D14/223**

(58) **Field of Classification Search** D14/205,
D14/206, 223; 181/129, 130, 135; 379/430,
379/431; 381/380, 381; 455/90.3, 575.1

See application file for complete search history.

(56) **References Cited**

U.S. PATENT DOCUMENTS

4,720,857	A	*	1/1988	Burris et al.	379/430
D311,007	S	*	10/1990	Daido	D14/205
D337,589	S	*	7/1993	Wada	D14/223
D353,379	S	*	12/1994	Nakamura et al.	D14/223
5,373,555	A	*	12/1994	Norris et al.	379/430
5,410,608	A	*	4/1995	Lucey et al.	381/360
D485,548	S	*	1/2004	Obata	D14/223
D523,846	S	*	6/2006	Lee	D14/205
D554,109	S	*	10/2007	Ledbetter et al.	D14/223
D555,152	S	*	11/2007	Wang	D14/223
D556,741	S	*	12/2007	Yeo et al.	D14/223
D562,809	S	*	2/2008	Yang	D14/223
D567,217	S	*	4/2008	Kamo et al.	D14/205
D572,703	S	*	7/2008	Ledbetter et al.	D14/205

D572,706	S	*	7/2008	Schaefer	D14/225
D573,978	S	*	7/2008	Ledbetter et al.	D14/205
D575,269	S	*	8/2008	Ledbetter et al.	D14/205
D576,154	S	*	9/2008	Ledbetter et al.	D14/223
D579,005	S	*	10/2008	Wilhelmsen	D14/223
D587,681	S	*	3/2009	Yanai	D14/205
D594,441	S	*	6/2009	Lee et al.	D14/205
D598,894	S	*	8/2009	Masuda et al.	D14/205
D599,778	S	*	9/2009	Ando	D14/205
D604,272	S	*	11/2009	Kitayama	D14/223
D611,934	S	*	3/2010	Schaefer	D14/223
D629,395	S	*	12/2010	Lee et al.	D14/223
D643,416	S	*	8/2011	Chong et al.	D14/223
D643,417	S	*	8/2011	Lee et al.	D14/223
D656,129	S	*	3/2012	Kelly et al.	D14/223
D658,157	S	*	4/2012	McManigal	D14/205
D660,290	S	*	5/2012	Weedon	D14/223

* cited by examiner

Primary Examiner — Paula Greene

(74) *Attorney, Agent, or Firm* — TraskBritt, P.C.

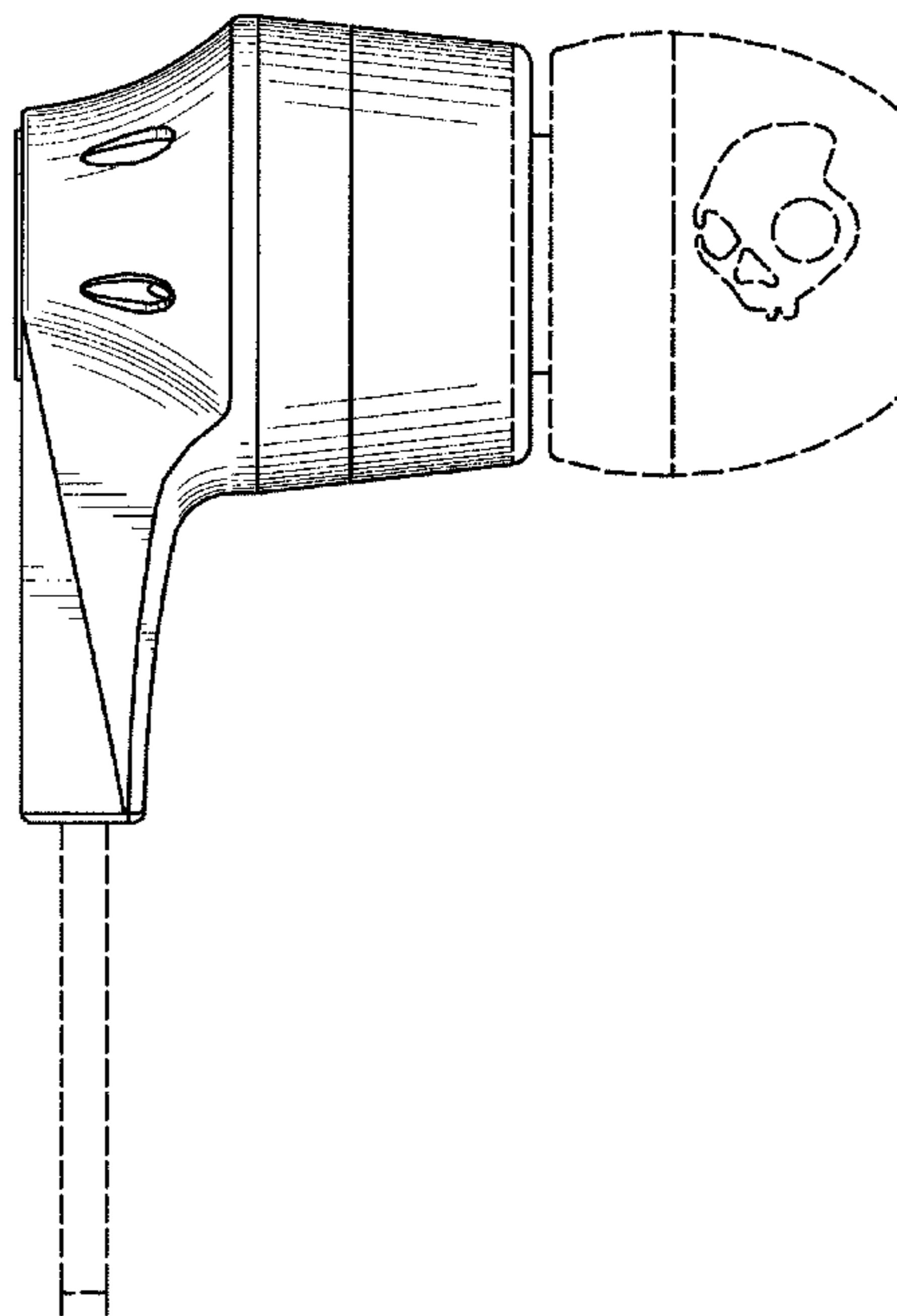
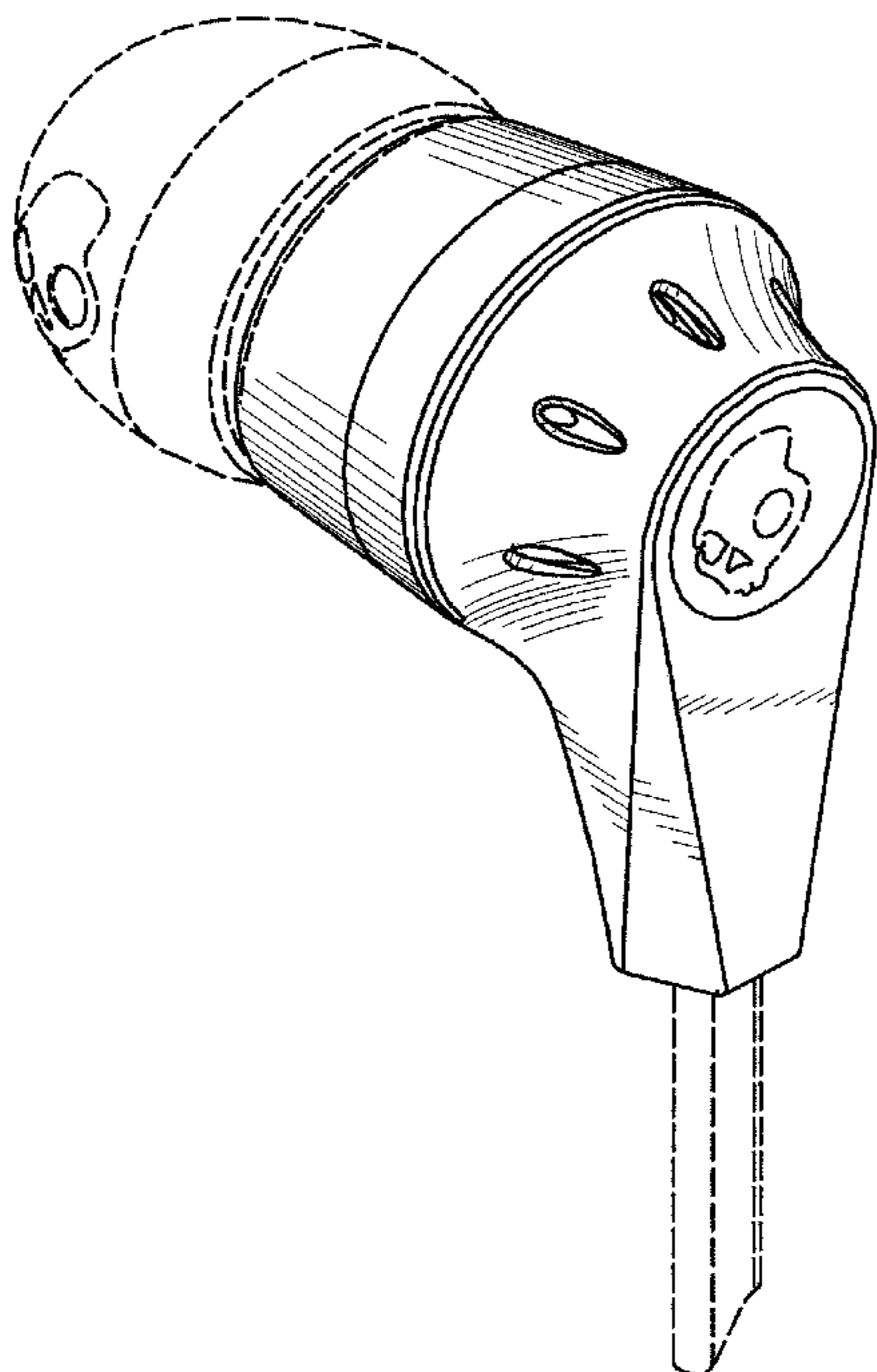
(57) **CLAIM**

The ornamental design for a headphone, as shown and described.

DESCRIPTION

FIG. 1 is a perspective view of a headphone; FIG. 2 is a left side view of the headphone shown in FIG. 1; FIG. 3 is a right side view of the headphone shown in FIG. 1; FIG. 4 is a rear view of the headphone shown in FIG. 1; FIG. 5 is a front view of the headphone shown in FIG. 1; FIG. 6 is a top view of the headphone shown in FIG. 1; and, FIG. 7 is a bottom view of the headphone shown in FIG. 1. The broken lines in FIGS. 1-7 are for environmental purposes only and do not form any part of the claimed design.

1 Claim, 6 Drawing Sheets



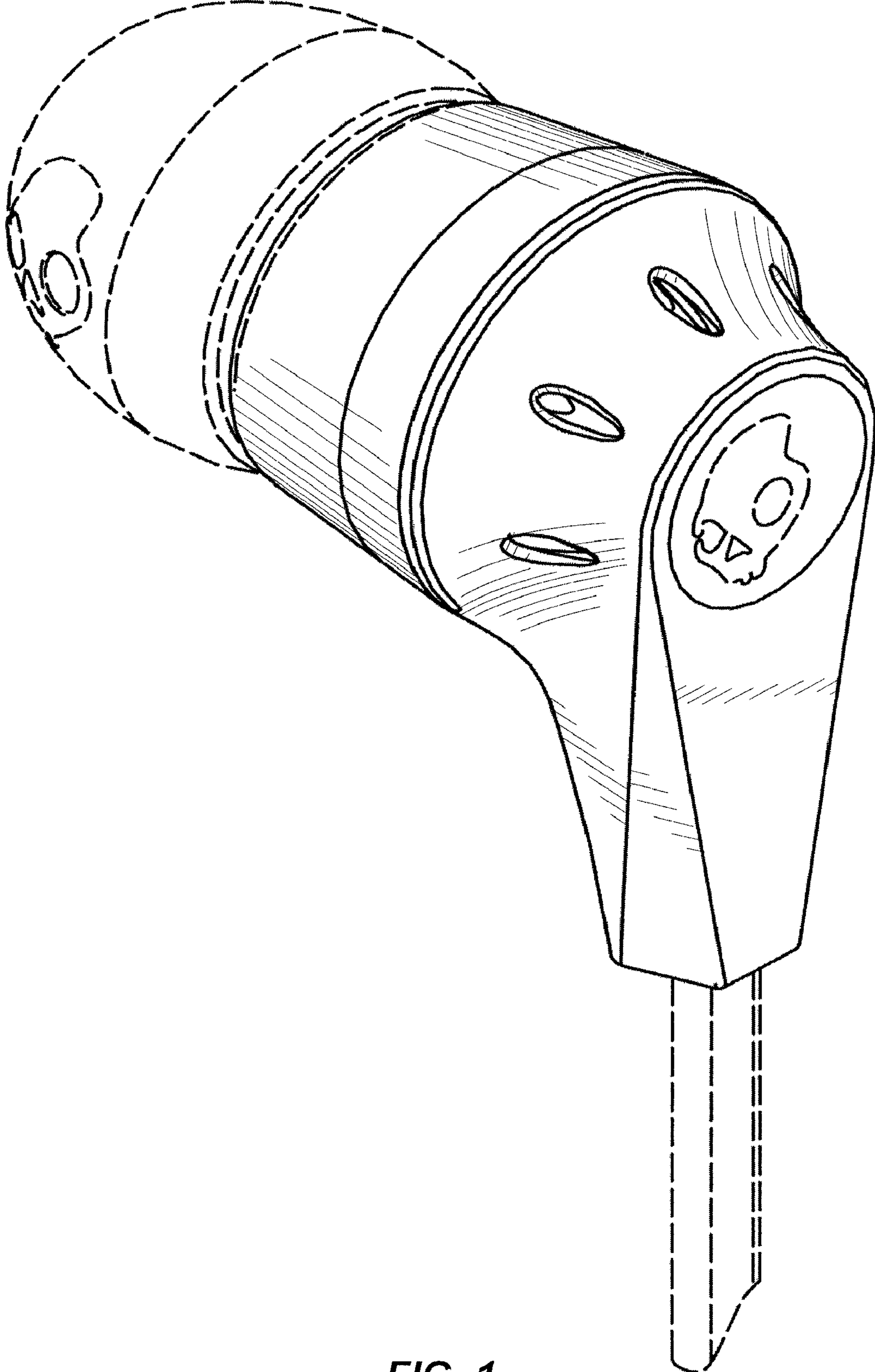


FIG. 1

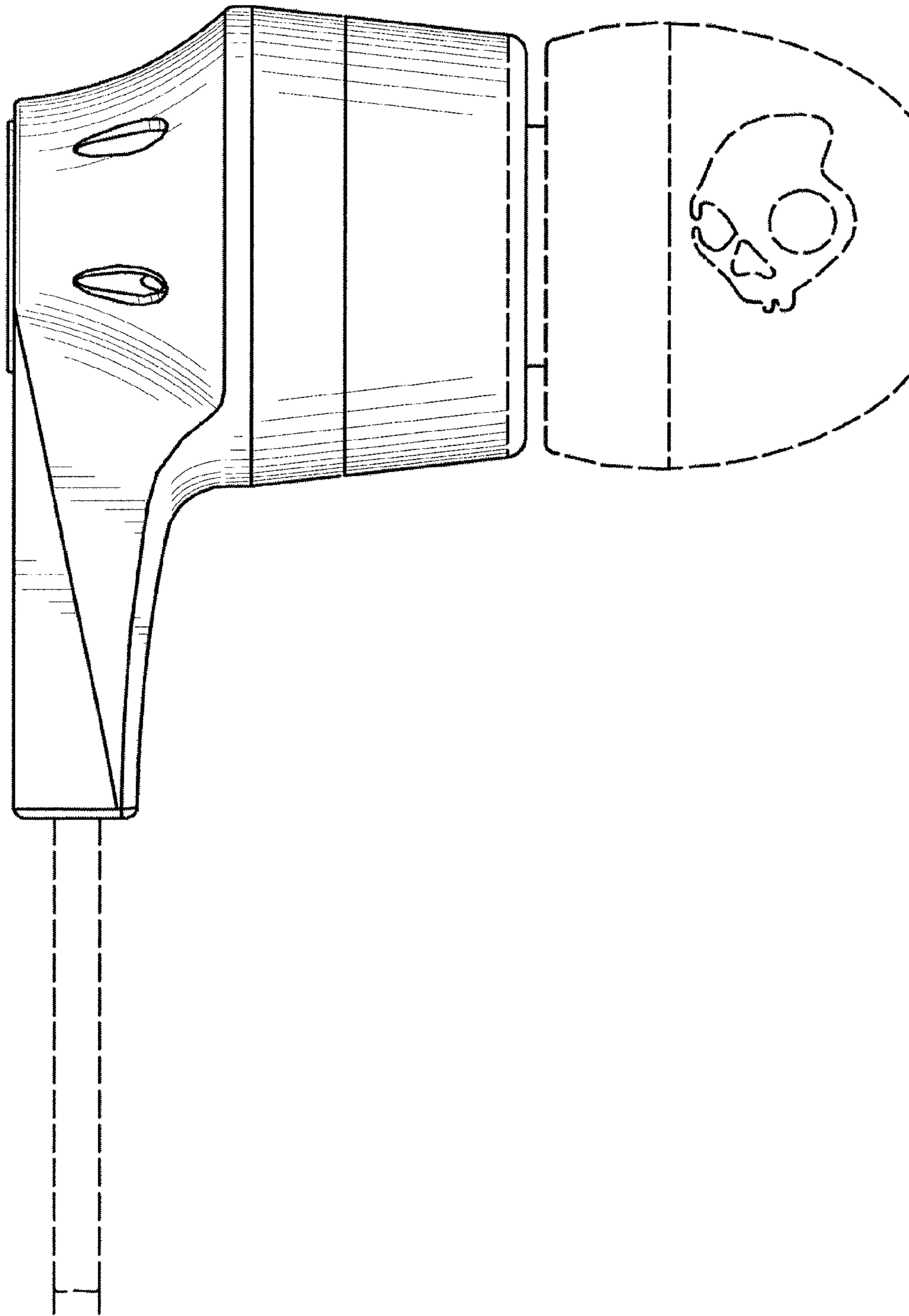


FIG. 2

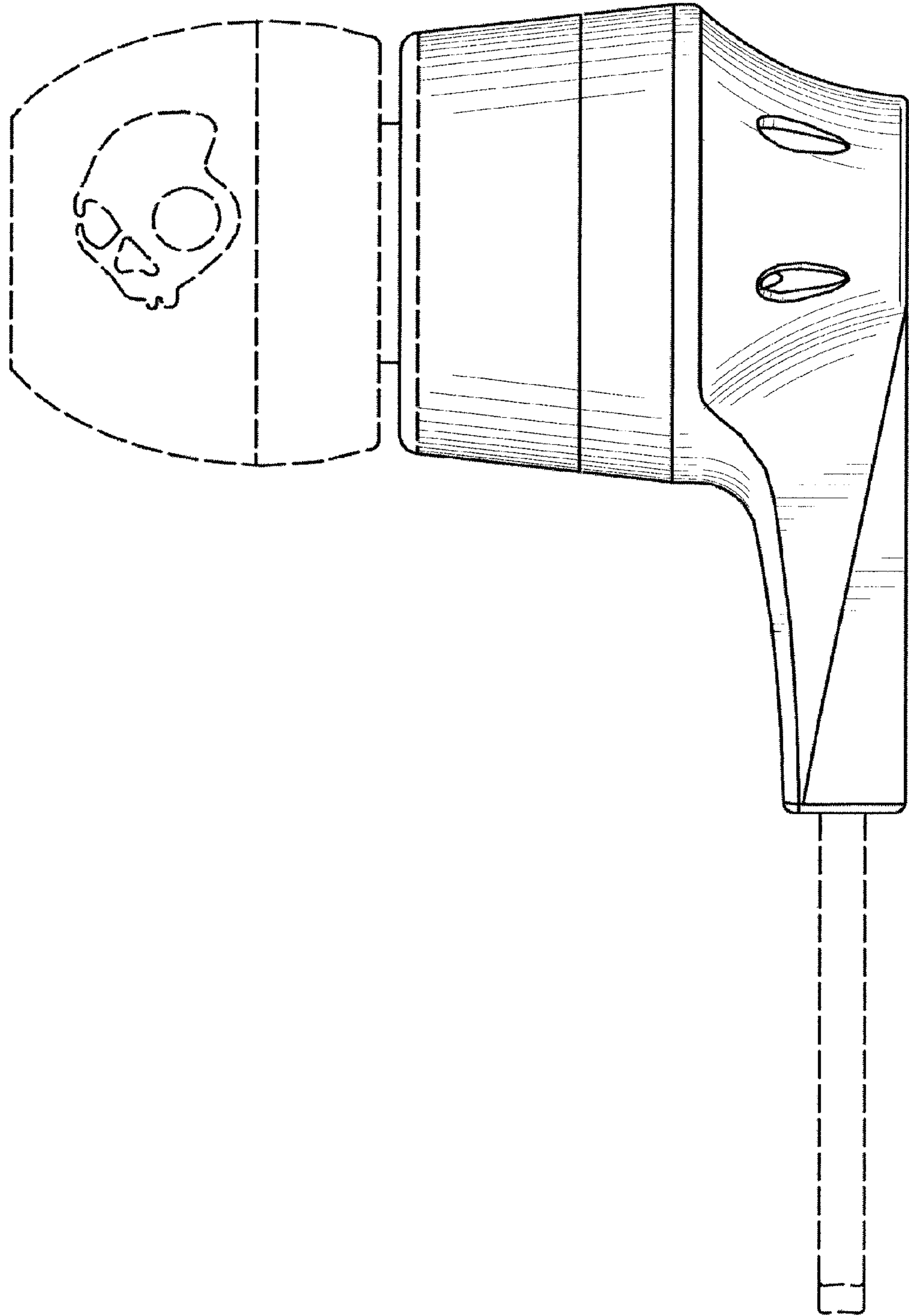


FIG. 3

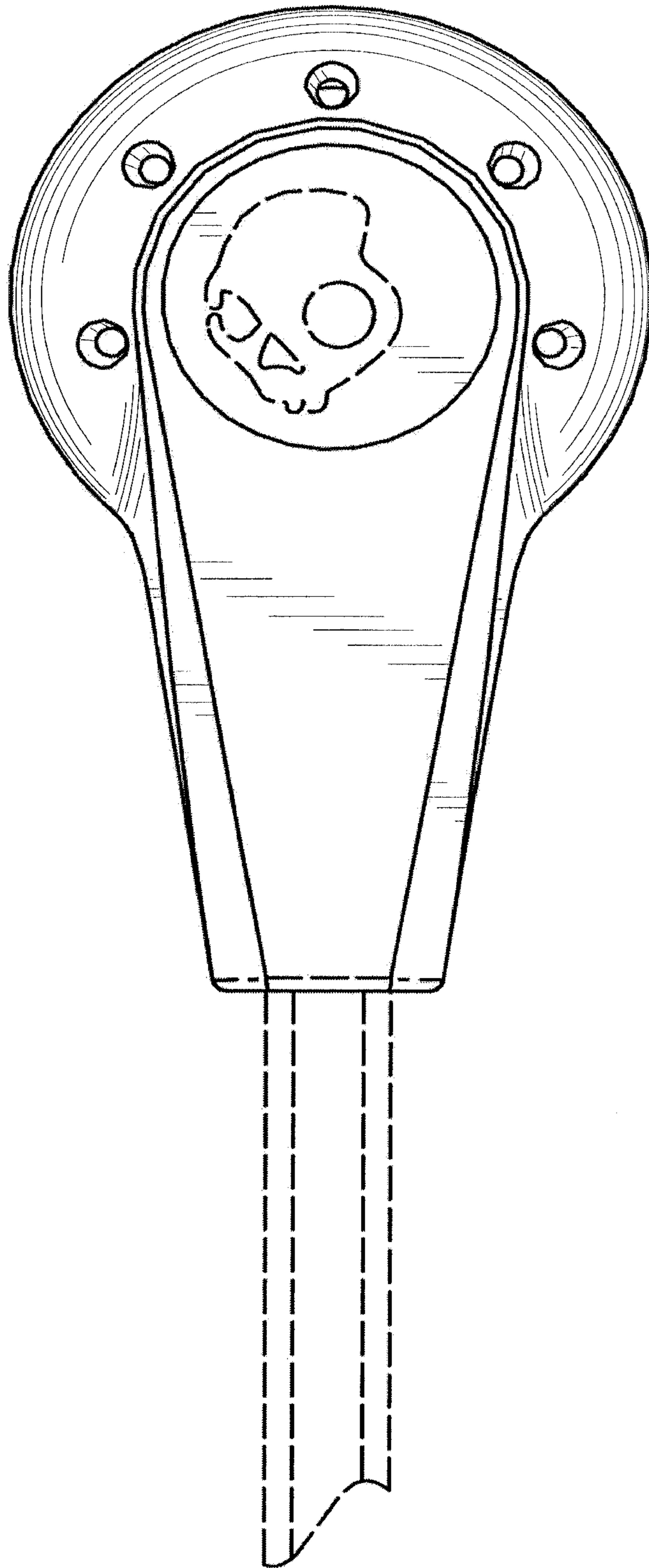


FIG. 4

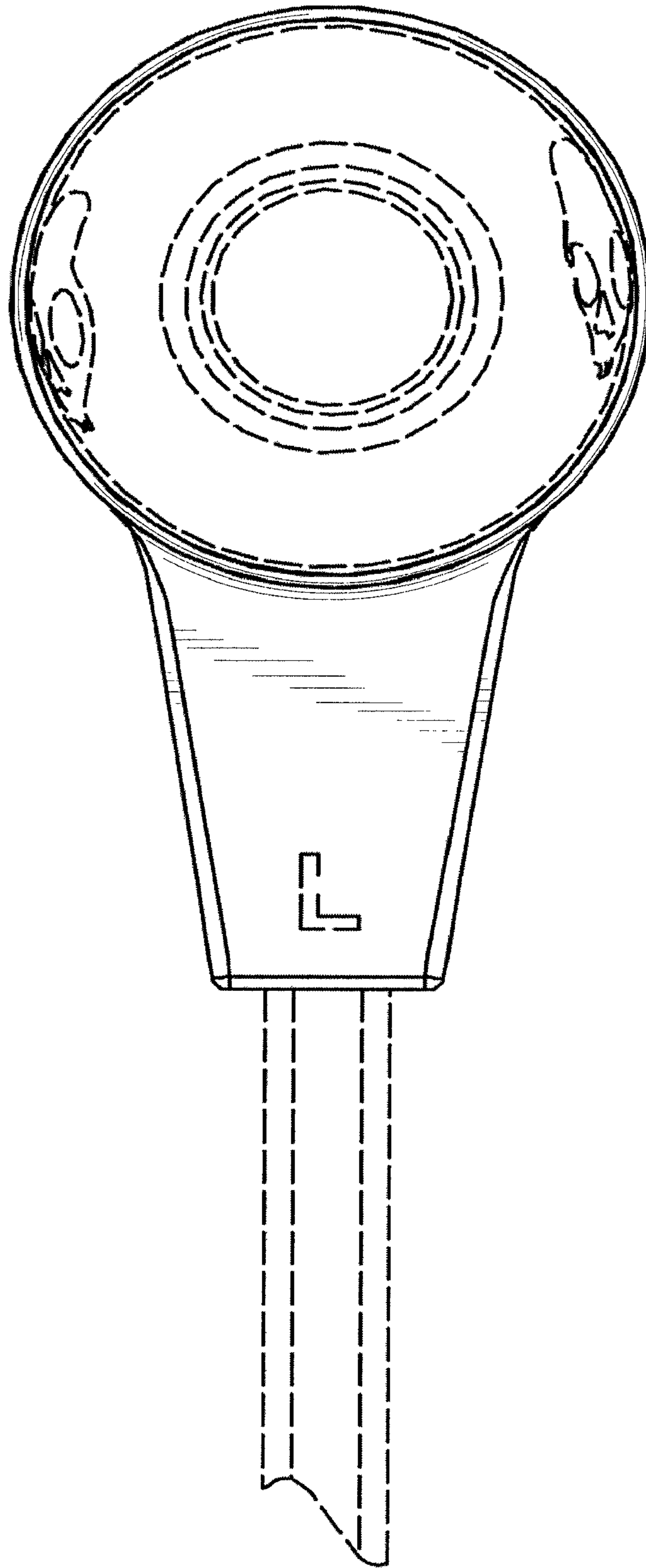


FIG. 5

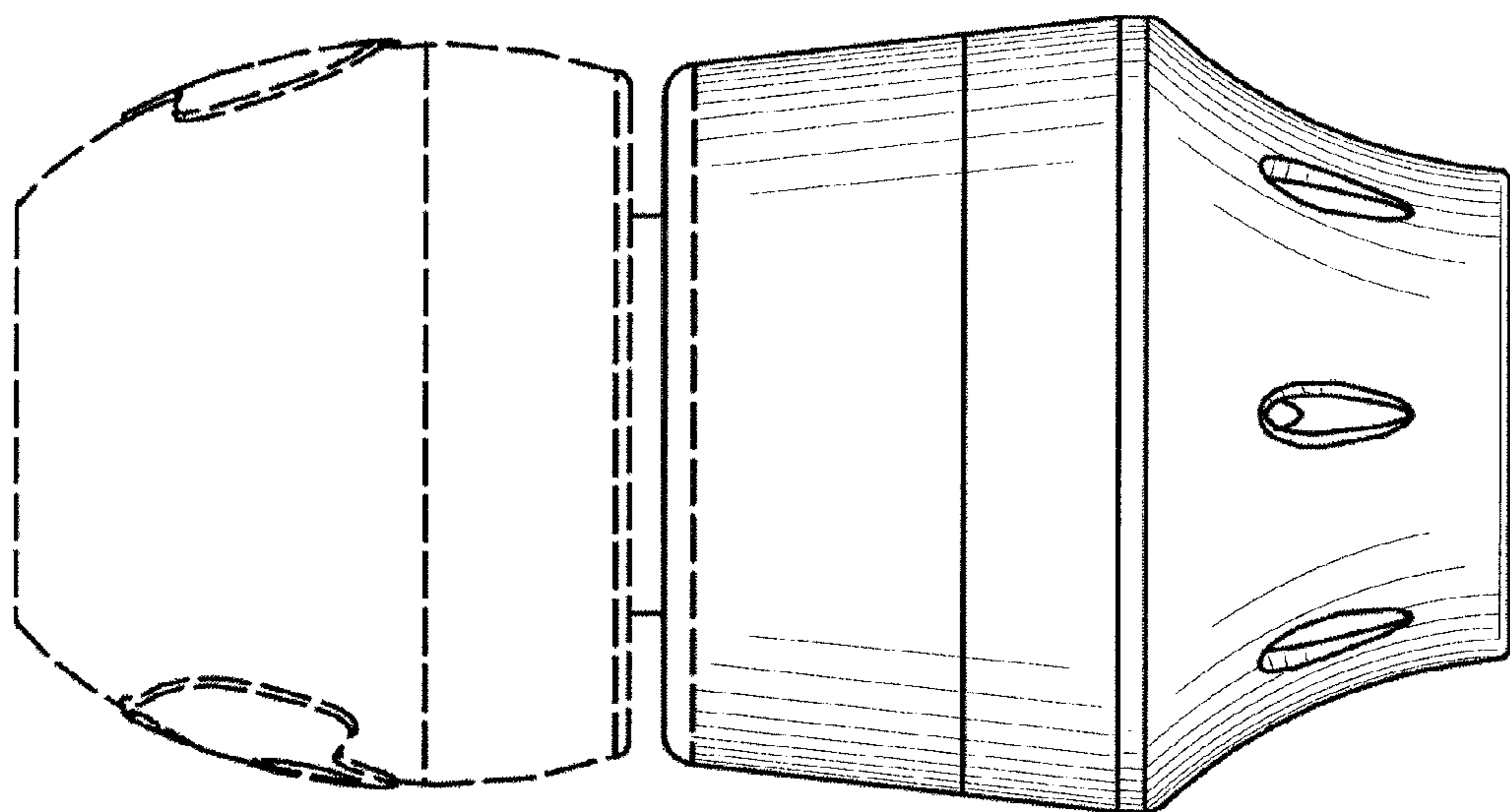


FIG. 6

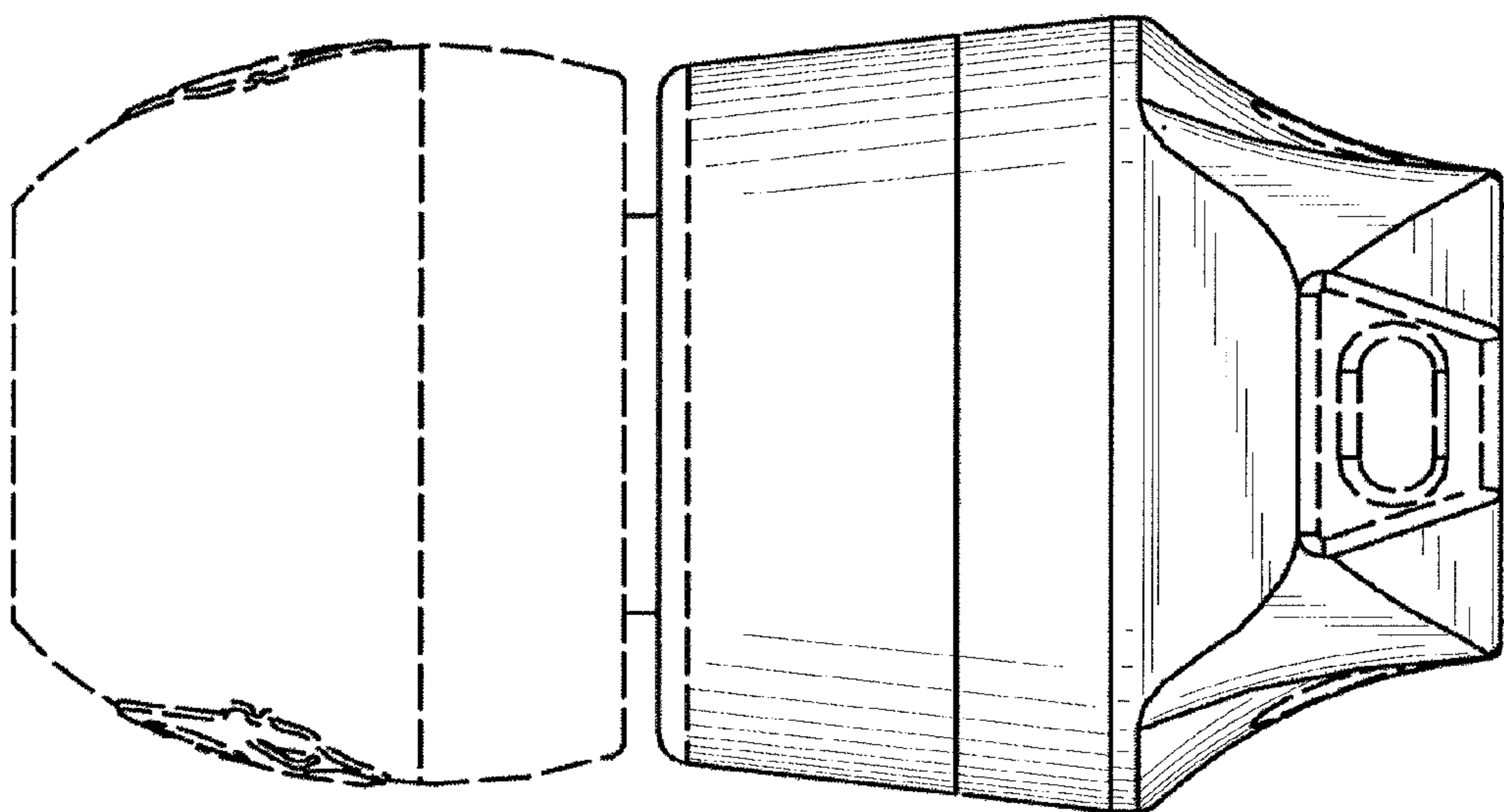


FIG. 7

UNITED STATES PATENT AND TRADEMARK OFFICE
CERTIFICATE OF CORRECTION

PATENT NO. : D674,376 S
APPLICATION NO. : 29/403736
DATED : January 15, 2013
INVENTOR(S) : Peter M. Kelly et al.

Page 1 of 1

It is certified that error appears in the above-identified patent and that said Letters Patent is hereby corrected as shown below:

On the title page:

In ITEM (73) Assignee:

change "Skull Candy, Inc.," to --Skullcandy, Inc.,--

Signed and Sealed this
Twenty-eighth Day of May, 2013



Teresa Stanek Rea
Acting Director of the United States Patent and Trademark Office