



US00D674374S

(12) **United States Design Patent**
Roberts

(10) **Patent No.:** **US D674,374 S**

(45) **Date of Patent:** **** Jan. 15, 2013**

(54) **AUDIO EQUIPMENT**

(75) **Inventor:** **Derek Roberts, Berkshire (GB)**

(73) **Assignee:** **Focusrite Audio Engineering Limited (GB)**

(**) **Term:** **14 Years**

(21) **Appl. No.:** **29/368,461**

(22) **Filed:** **Aug. 24, 2010**

(30) **Foreign Application Priority Data**

Feb. 24, 2010 (EM) 001674144

(51) **LOC (9) Cl.** **14-03**

(52) **U.S. Cl.** **D14/217**

(58) **Field of Classification Search** D14/162,
D14/167-169, 175, 188, 196-199, 203, 217,
D14/218, 356, 38, 399-401, 412-416, 432,
D14/434, 454-457, 496; D21/324, 332,
D21/333; 463/1, 30, 36-38, 46, 47; 345/156-161,
345/905; D13/163, 164; 84/625, 660, 697;
381/118, 120, 334; 455/350
See application file for complete search history.

(56) **References Cited**

U.S. PATENT DOCUMENTS

D49,524 S * 8/1916 Ross D14/203
D215,159 S * 9/1969 Dreyfuss D14/140
D324,048 S * 2/1992 Tanaka D14/217
D339,351 S * 9/1993 Matsuoka et al. D14/217
D341,593 S * 11/1993 Chang D14/229

D349,300 S * 8/1994 Lau D19/62
D361,766 S * 8/1995 Mackay D14/167
D444,460 S * 7/2001 Kitazawa et al. D14/217
D463,401 S * 9/2002 Miyazaki D14/217
6,586,666 B2 * 7/2003 Abe 84/477 R
D480,061 S * 9/2003 Saito D14/168
D484,886 S * 1/2004 Matsuoka D14/454
D502,468 S * 3/2005 Knight et al. D14/400
D516,073 S * 2/2006 Boswell et al. D14/399
D551,211 S * 9/2007 Keech D14/217
D563,943 S * 3/2008 Watanabe D14/188
D569,896 S * 5/2008 Bergese et al. D17/22
D571,308 S * 6/2008 Gastelum et al. D13/168
D581,393 S * 11/2008 Rodrigues D14/188
D594,438 S * 6/2009 Wada D14/149
D606,981 S * 12/2009 Kaneko D14/218
D611,036 S * 3/2010 Cooper et al. D14/217
D614,603 S * 4/2010 Skillings D14/217
D626,935 S * 11/2010 Ohtani et al. D14/192
D630,616 S * 1/2011 Vex D14/217
D640,227 S * 6/2011 Wada D14/149
D642,160 S * 7/2011 Roberts D14/217

* cited by examiner

Primary Examiner — Keli L Hill

(74) *Attorney, Agent, or Firm* — Westman, Champlin & Kelly, P.A.; Z. Peter Sawicki

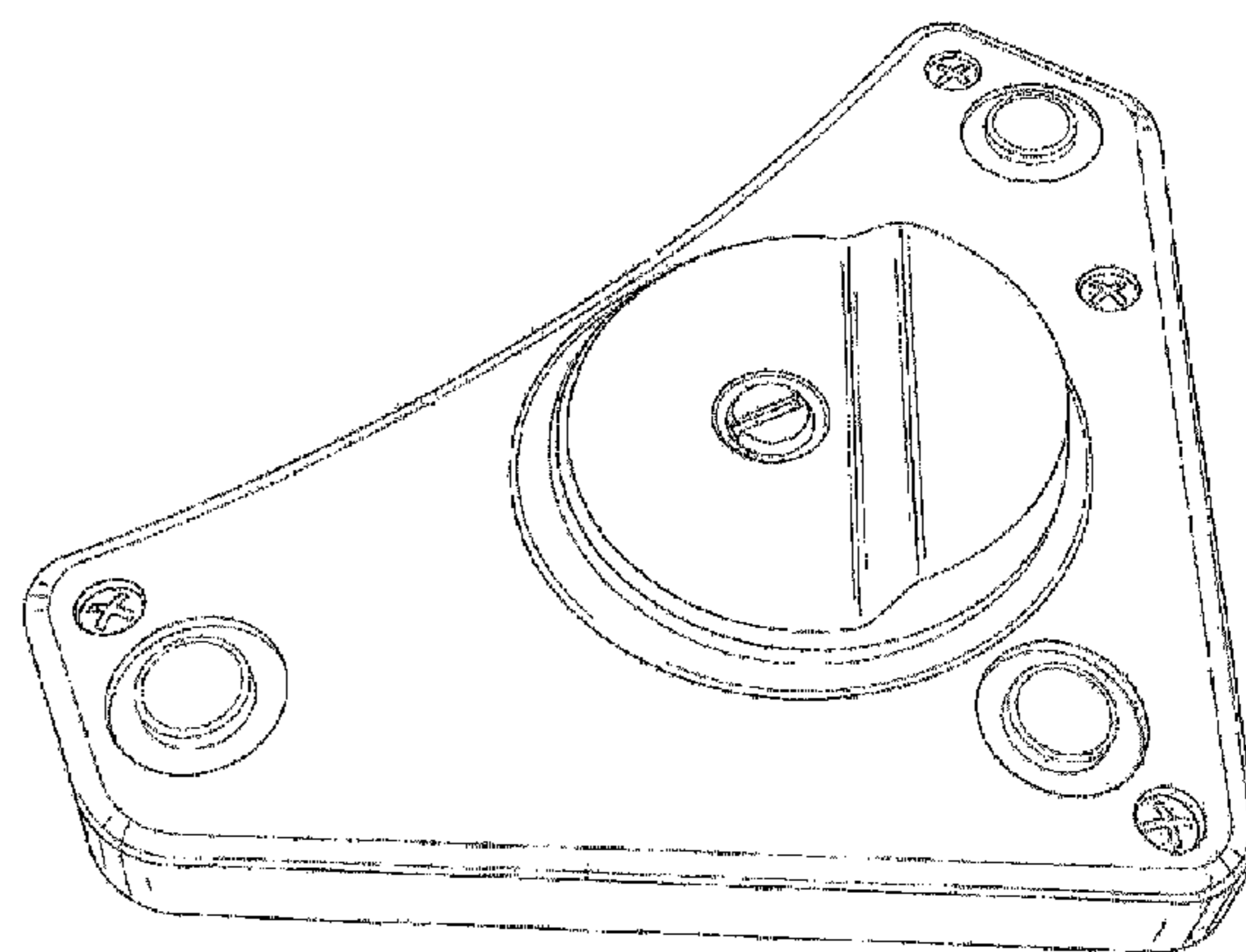
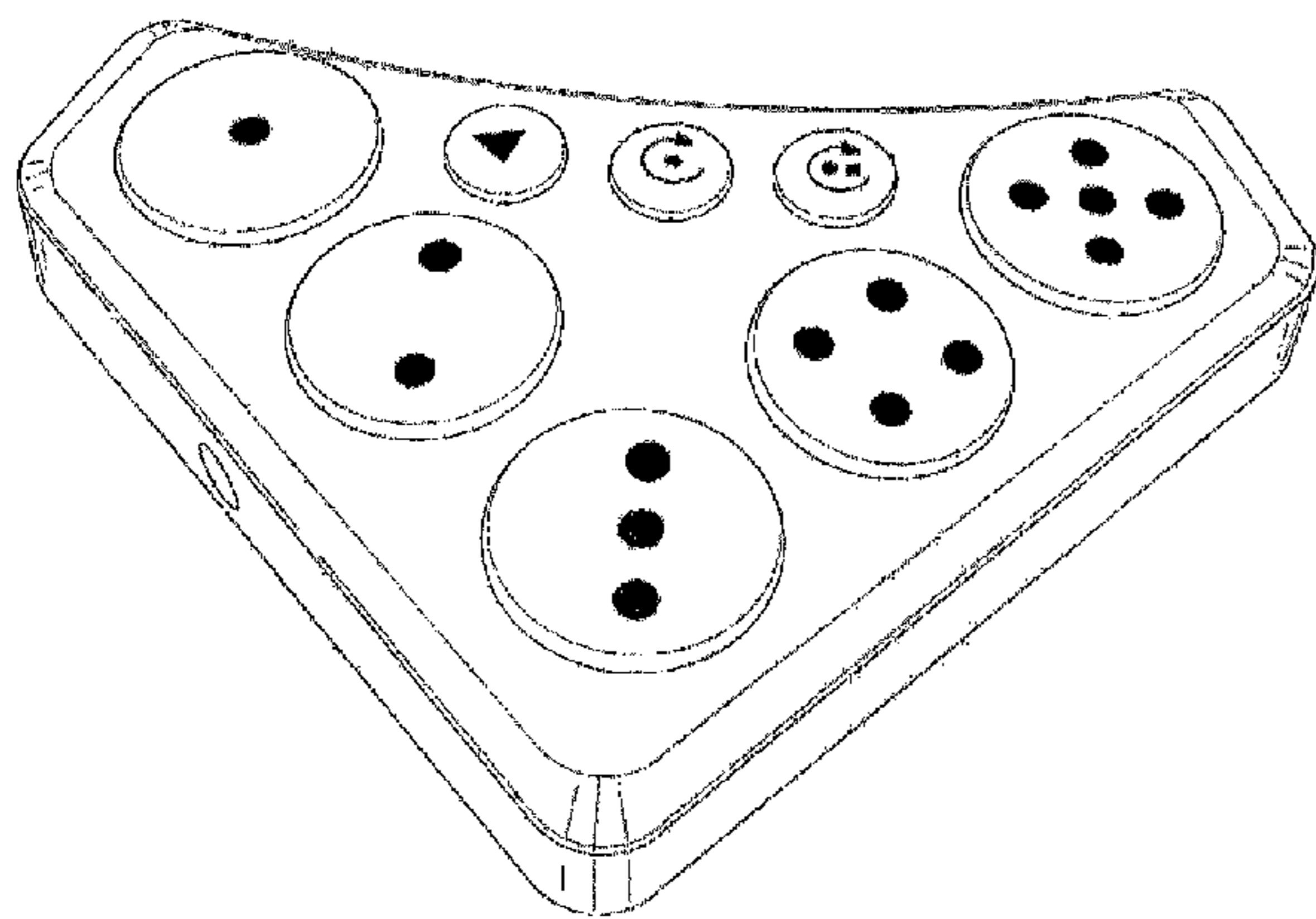
(57) **CLAIM**

The ornamental design for audio equipment, as shown and described.

DESCRIPTION

FIG. 1 is a top perspective view of the audio equipment; and, FIG. 2 is a bottom perspective view thereof.

1 Claim, 2 Drawing Sheets



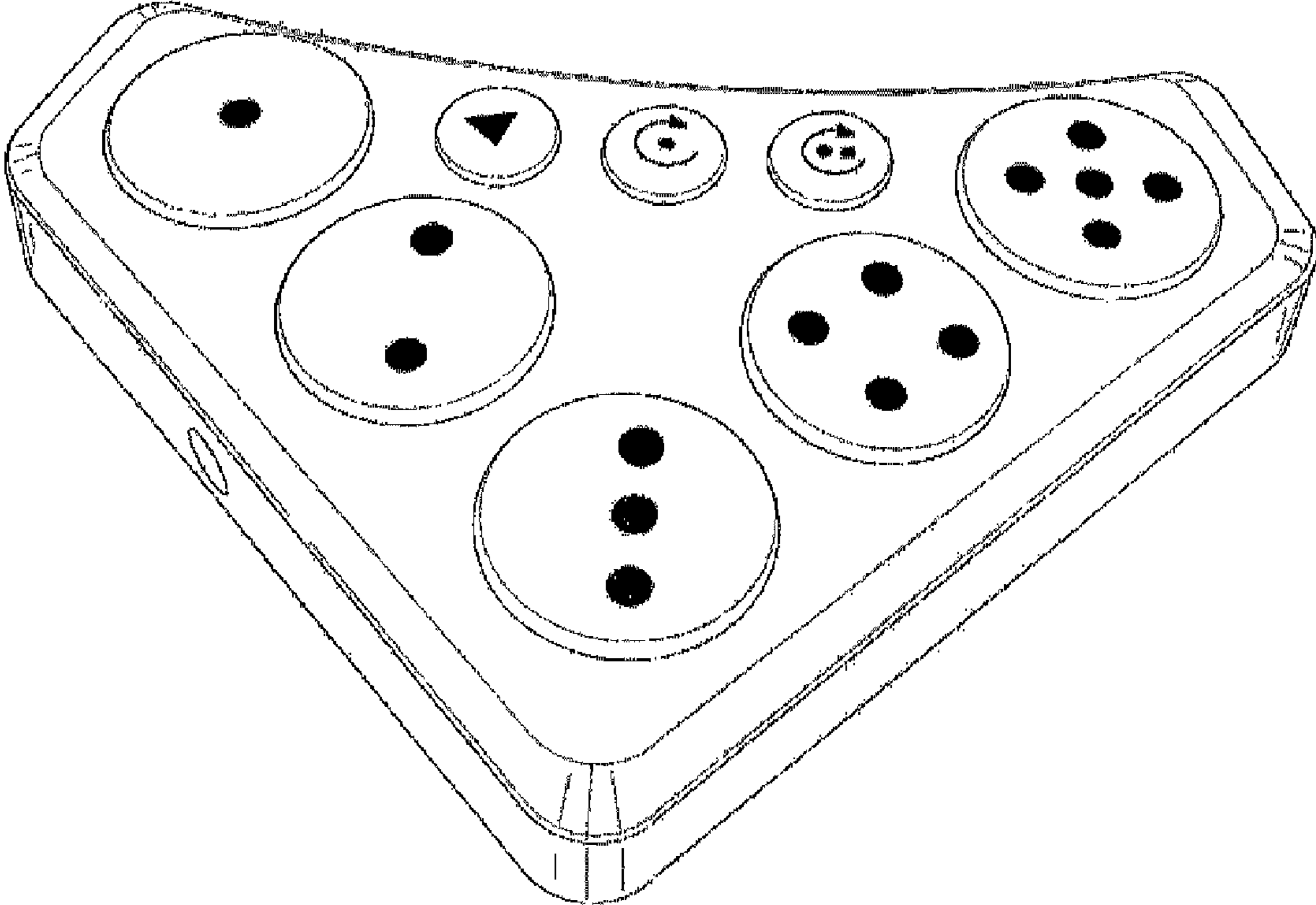


Fig 1

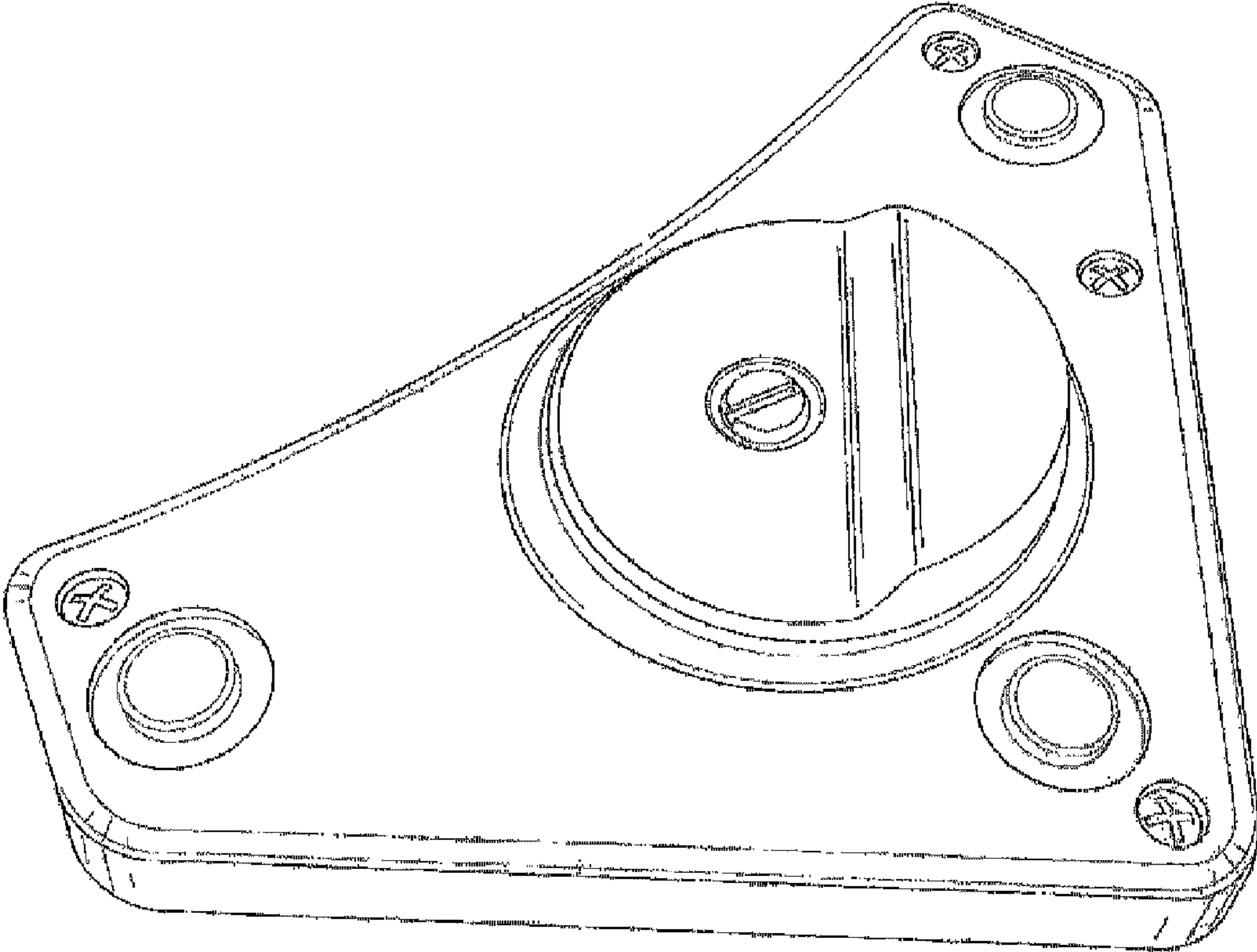


Fig 2