



US00D674373S

(12) **United States Design Patent**  
**Combs et al.**

(10) **Patent No.:** **US D674,373 S**  
(45) **Date of Patent:** **\*\* Jan. 15, 2013**

(54) **IN-EAR HEADPHONES**

(75) Inventors: **Seth Combs**, San Francisco, CA (US);  
**Kevin Lee**, El Cerrito, CA (US)

(73) Assignee: **Sol Republic, Inc.**, El Cerrito, CA (US)

(\*\*) Term: **14 Years**

(21) Appl. No.: **29/409,141**

(22) Filed: **Dec. 20, 2011**

(51) **LOC (9) Cl.** ..... **14-01**

(52) **U.S. Cl.** ..... **D14/205**

(58) **Field of Classification Search** ..... D14/205,  
D14/206, 223; 181/129, 130, 135; 379/430,  
379/431; 381/380, 381; 455/90.3, 575.1  
See application file for complete search history.

(56) **References Cited**

U.S. PATENT DOCUMENTS

4,646,872	A *	3/1987	Kamon et al.	.....	181/129
D391,572	S *	3/1998	Lee	.....	D14/192
6,438,248	B1 *	8/2002	Kamimura et al.	.....	381/374
D463,790	S *	10/2002	Beraut et al.	.....	D14/223
D469,753	S *	2/2003	Andre et al.	.....	D14/205
D511,157	S *	11/2005	Johnson	.....	D14/223
D565,023	S *	3/2008	Yamagishi	.....	D14/205
D569,841	S *	5/2008	Chung et al.	.....	D14/205
D591,264	S *	4/2009	Hong et al.	.....	D14/205
D598,894	S *	8/2009	Masuda et al.	.....	D14/205
D605,170	S *	12/2009	Keinanen	.....	D14/205
D605,628	S *	12/2009	Ando	.....	D14/205

D626,117	S *	10/2010	Lowry	.....	D14/223
D637,998	S *	5/2011	Brunner et al.	.....	D14/205
D637,999	S *	5/2011	Brunner et al.	.....	D14/205
D641,010	S *	7/2011	Kwon	.....	D14/223
D643,414	S *	8/2011	Lee et al.	.....	D14/223
8,111,861	B2 *	2/2012	Lowry	.....	381/380
D658,157	S *	4/2012	McManigal	.....	D14/205
D662,079	S *	6/2012	Fahrendorff et al.	.....	D14/205
D663,715	S *	7/2012	Glezerman et al.	.....	D14/205

\* cited by examiner

*Primary Examiner* — Paula Greene

(74) *Attorney, Agent, or Firm* — Alleman Hall McCoy  
Russell & Tuttle LLP

(57) **CLAIM**

The ornamental design for in-ear headphones, as shown and described.

**DESCRIPTION**

FIG. 1 is a perspective view of in-ear headphones.

FIG. 2 is a front view of the in-ear headphones.

FIG. 3 is a rear view of the in-ear headphones.

FIG. 4 is a side view of the in-ear headphones.

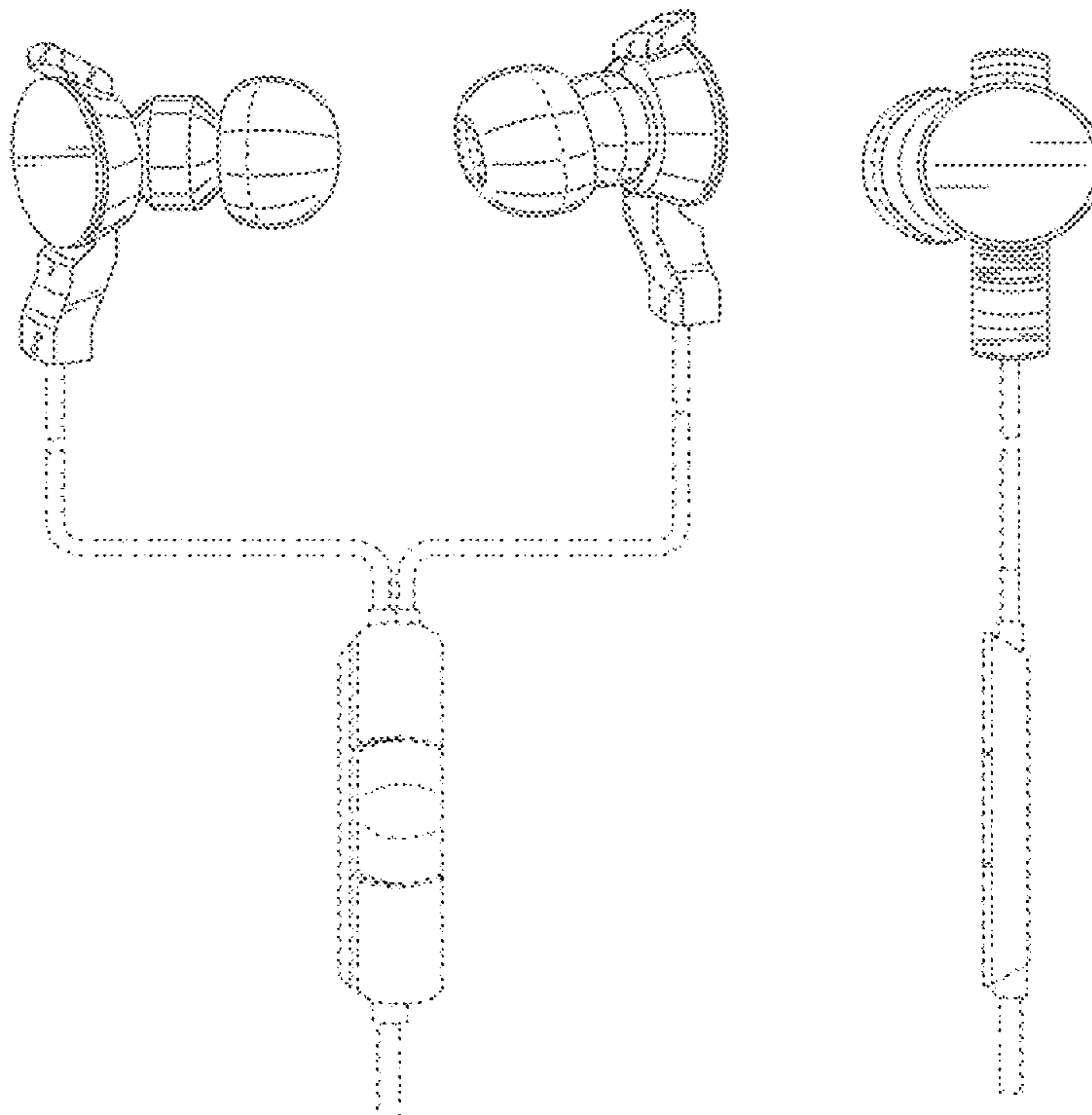
FIG. 5 is an opposing side view of the in-ear headphones

FIG. 6 is a top view of the in-ear headphones; and,

FIG. 7 is a bottom view of the in-ear headphones.

The uneven broken lines and shading in FIGS. 1-7 are for illustrative purposes only and form no part of the claimed design. Solid lines represent portions of the in-ear headphones which are part of the claimed design.

**1 Claim, 5 Drawing Sheets**



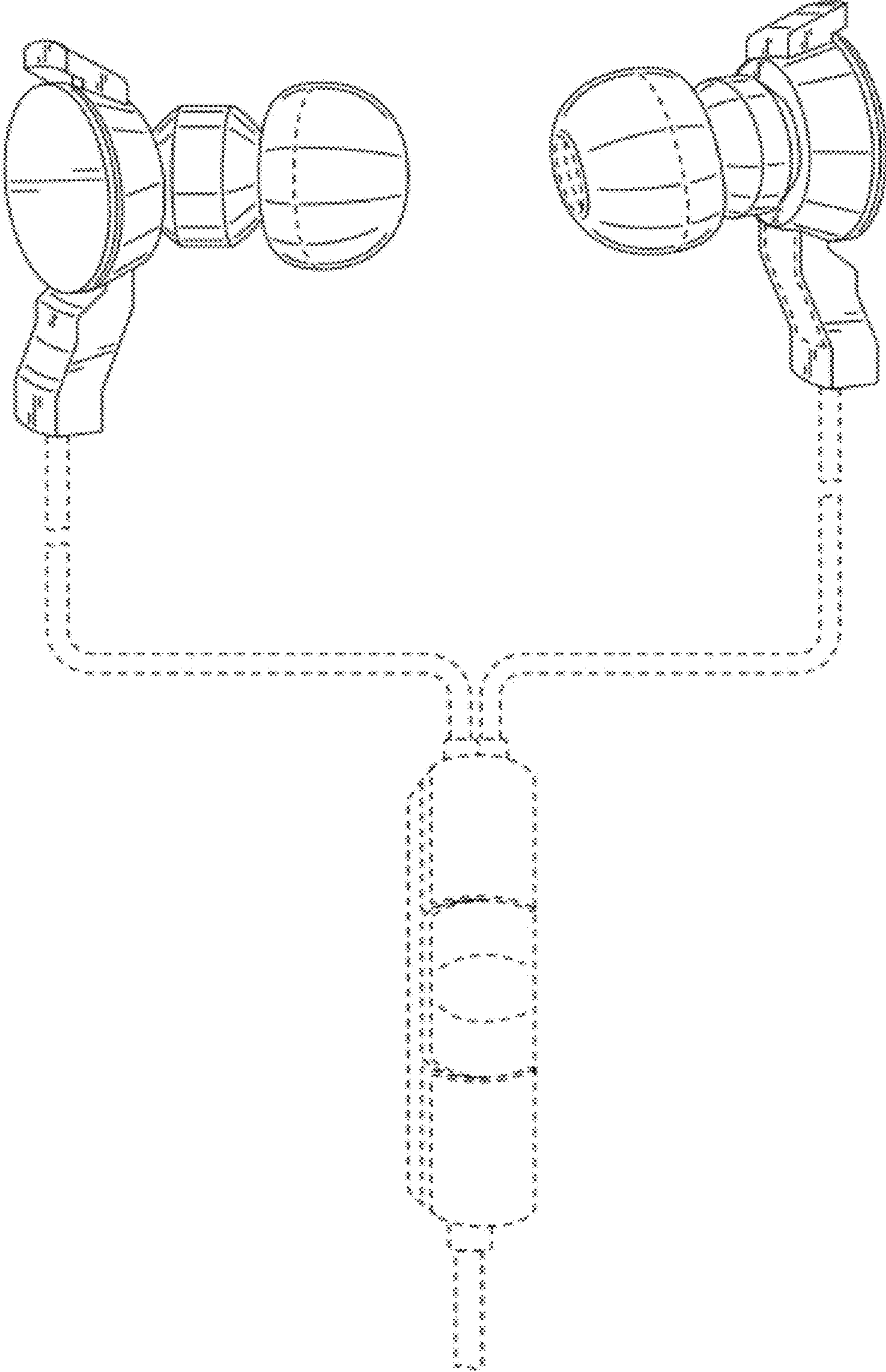


FIG. 1

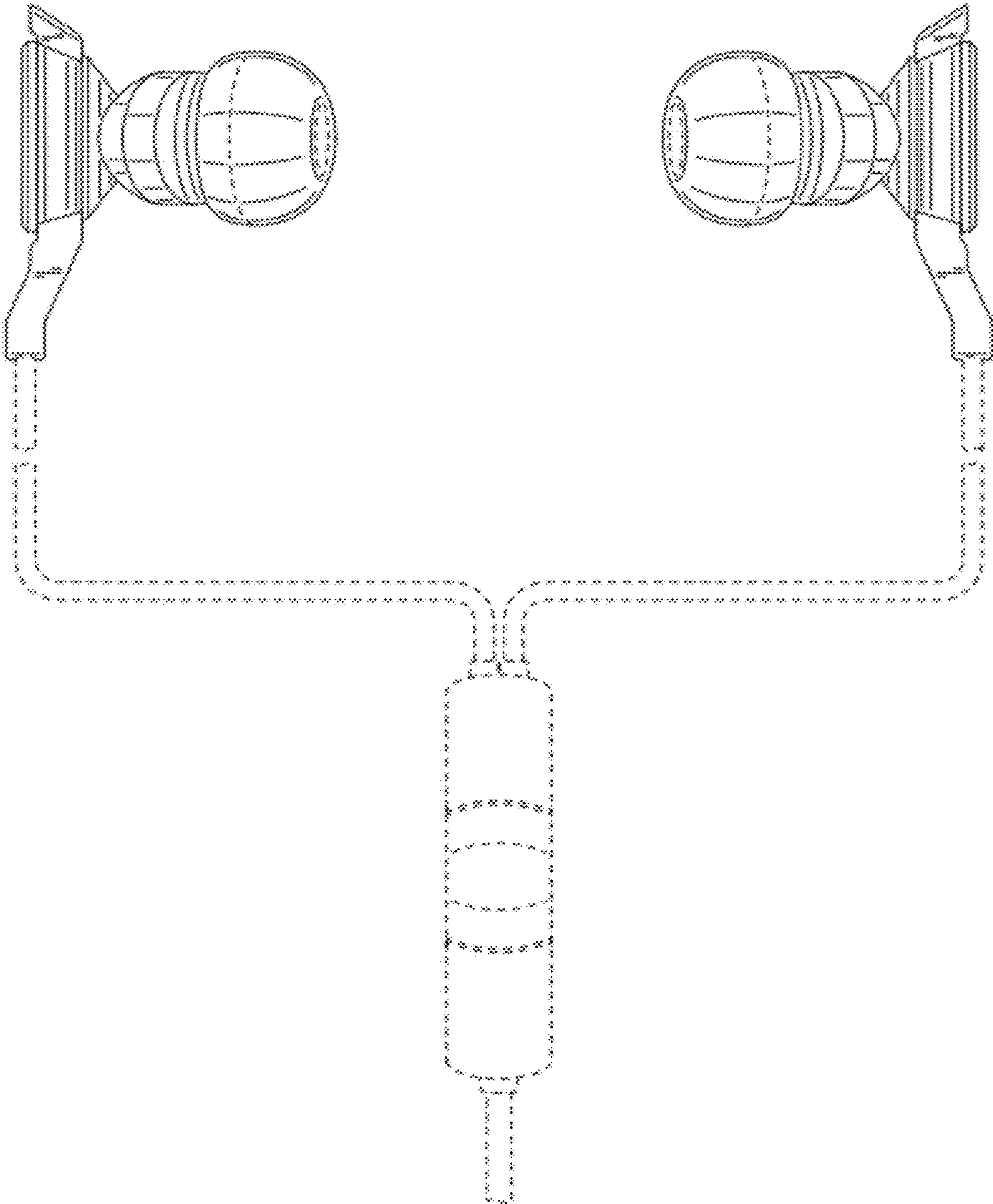


FIG. 2

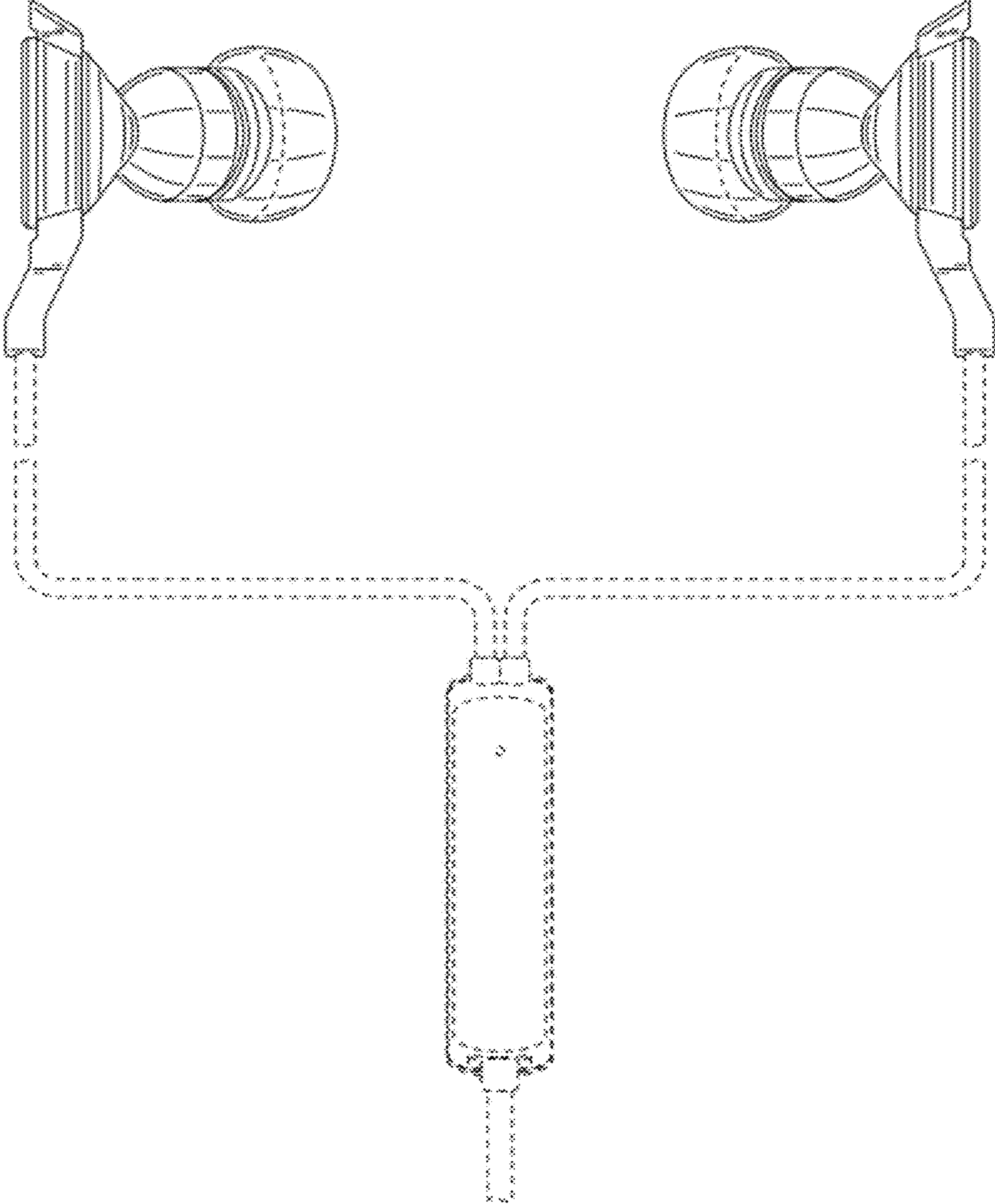


FIG. 3

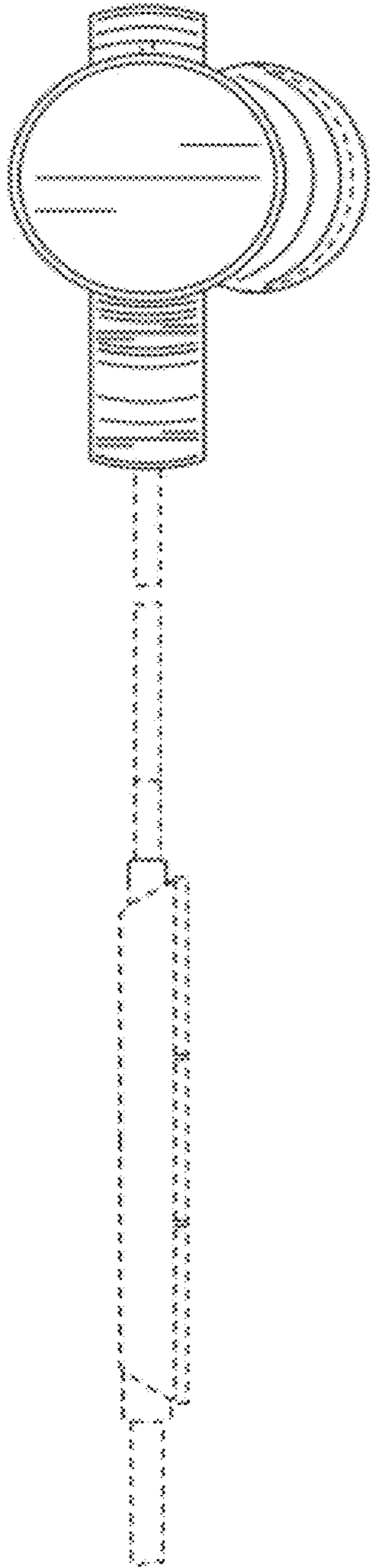


FIG. 4

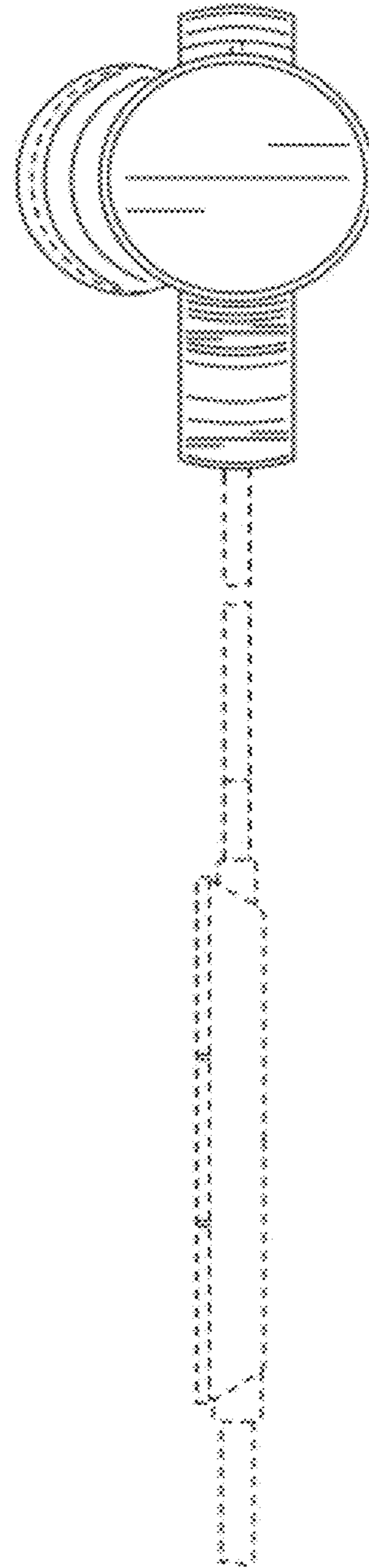


FIG. 5

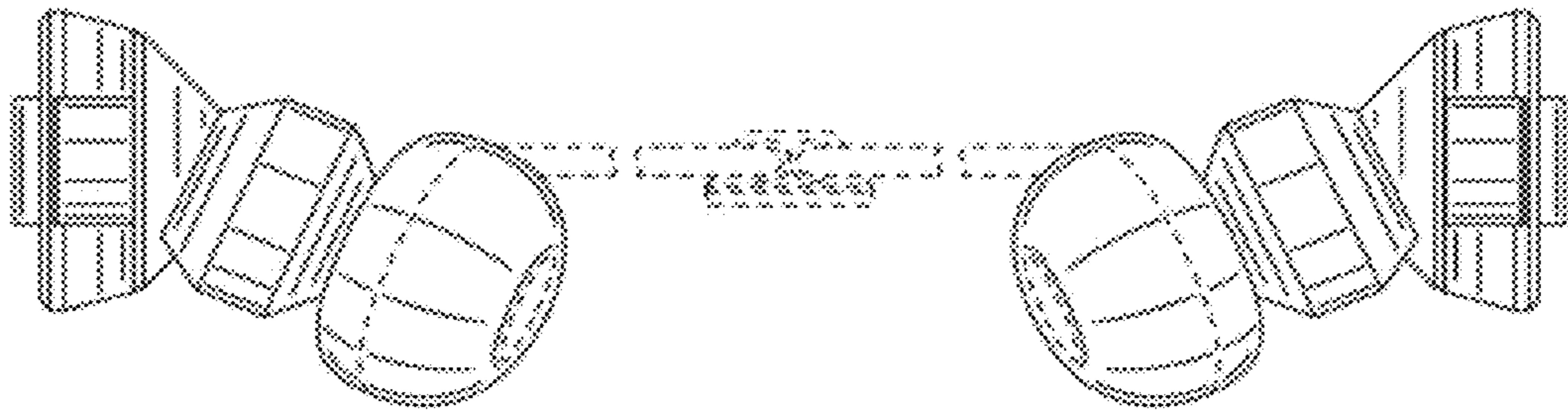


FIG. 6

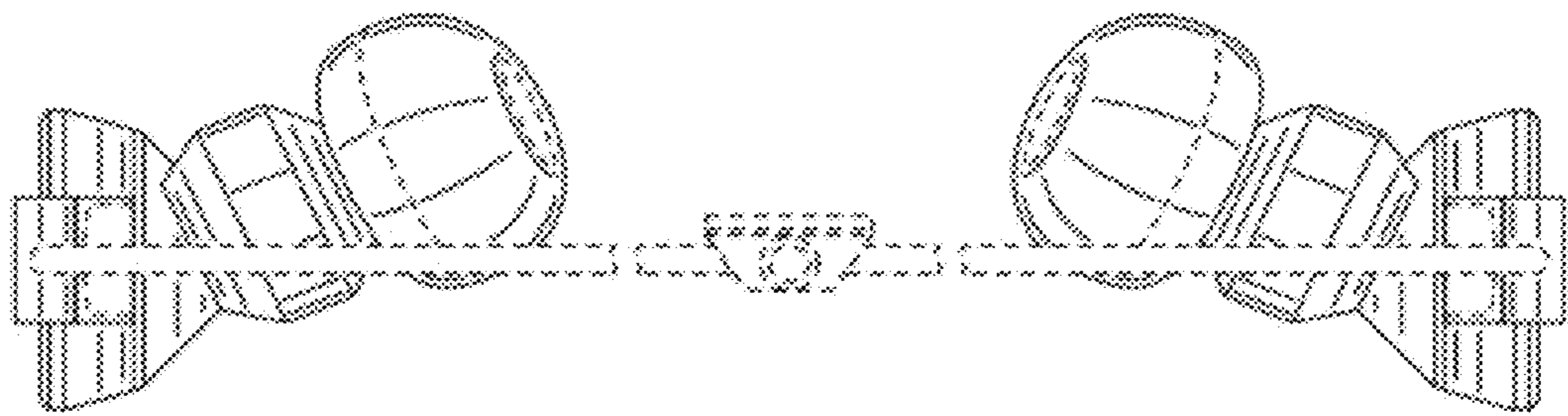


FIG. 7