



US00D674371S

(12) **United States Design Patent**  
**Cho et al.**

(10) **Patent No.:** **US D674,371 S**  
(45) **Date of Patent:** **\*\* Jan. 15, 2013**

(54) **PORTABLE AUDIO DEVICE**

(75) Inventors: **Andrew P. Cho**, Naperville, IL (US); **J. Alan Weir**, Lake Zurich, IL (US); **Paul Hatch**, Chicago, IL (US); **Carl Ceyress**, Chicago, IL (US); **Hyung Seok Lee**, Chicago, IL (US); **Howard Cheng**, Chandler, AZ (US)

(73) Assignee: **Robert Bosch GmbH**, Stuttgart (DE)

(\*\*) Term: **14 Years**

(21) Appl. No.: **29/366,451**

(22) Filed: **Jul. 26, 2010**

(51) **LOC (9) Cl.** ..... **14-03**

(52) **U.S. Cl.** ..... **D14/188**

(58) **Field of Classification Search** ..... D14/137,  
D14/155, 162, 167-171, 188, 189, 193-198,  
D14/203.1-203.8, 204, 208, 209.1, 210, 212,  
D14/214, 215, 217, 257, 258, 265, 299, 496;  
369/6-12; 455/90.1-90.3, 344-355

See application file for complete search history.

(56) **References Cited**

**U.S. PATENT DOCUMENTS**

D418,836	S	*	1/2000	Matt et al.	.....	D14/196
D444,459	S	*	7/2001	Matt et al.	.....	D14/217
D474,175	S	*	5/2003	Furusho et al.	.....	D14/217
D474,177	S	*	5/2003	Furusho et al.	.....	D14/217
D479,223	S	*	9/2003	Furusho et al.	.....	D14/196
D486,816	S	*	2/2004	Nakajima et al.	.....	D14/169
D488,438	S	*	4/2004	Zick et al.	.....	D13/107
D500,487	S	*	1/2005	Concari et al.	.....	D14/188
D511,136	S	*	11/2005	Hirschburger et al.	.....	D13/107
D533,161	S	*	12/2006	Concari et al.	.....	D14/188
D538,782	S	*	3/2007	Ishibashi	.....	D14/168
D587,687	S	*	3/2009	Dayan et al.	.....	D14/217

7,640,045	B2	*	12/2009	Troutman	.....	455/575.8
2003/0117107	A1	*	6/2003	Zick et al.	.....	320/112
2009/0290745	A1	*	11/2009	Weir et al.	.....	381/387

**OTHER PUBLICATIONS**

Beaver Tools website page "Bosch iPod Dock for Power Box"; <http://beavertools.com/index.asp?PageAction=VIEWPROD&ProdID=16443>, Published at least as early as Jul. 23, 2010 (2 pages).

\* cited by examiner

*Primary Examiner* — Keli L Hill

(74) *Attorney, Agent, or Firm* — Maginot, Moore & Beck

(57) **CLAIM**

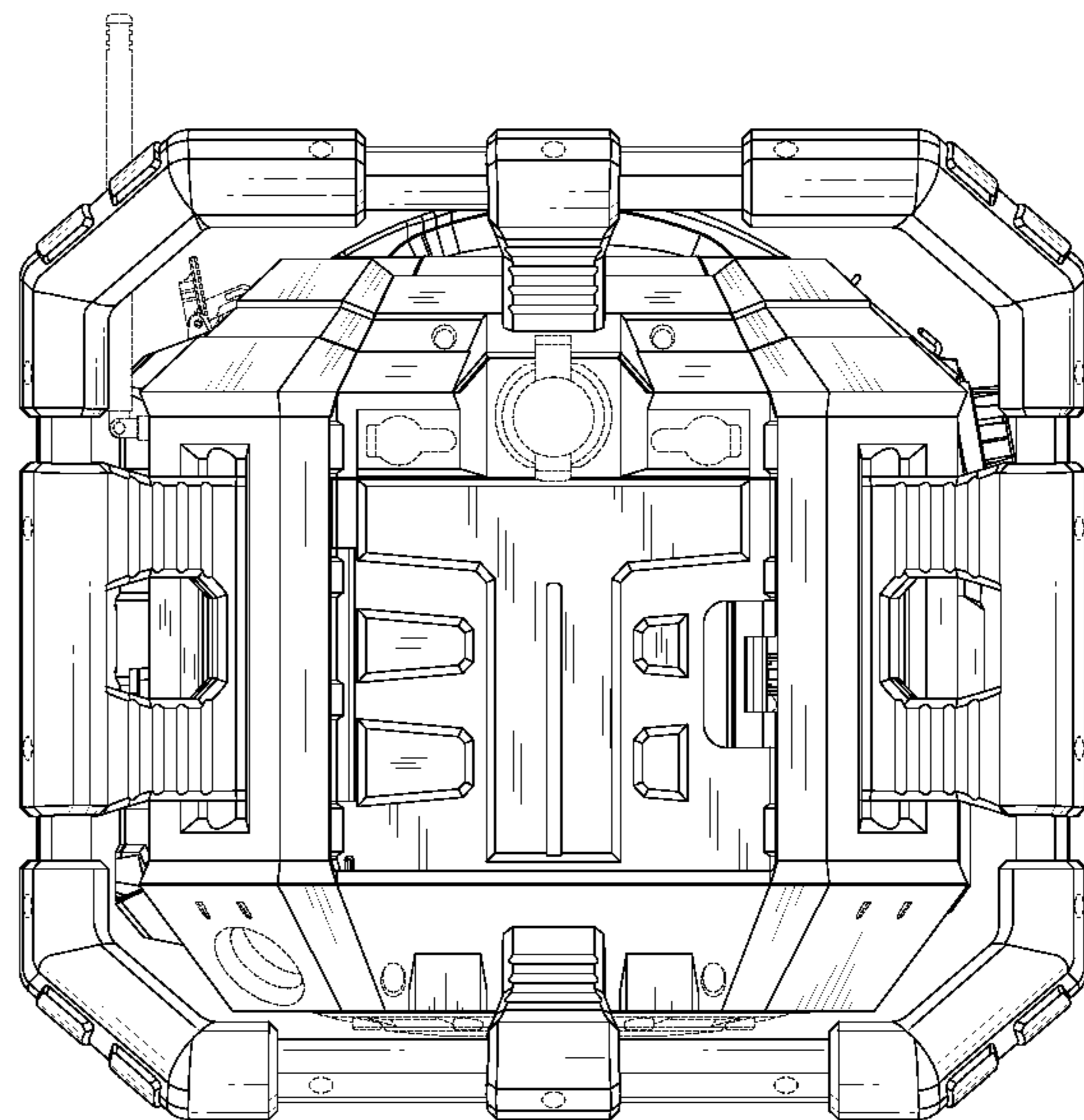
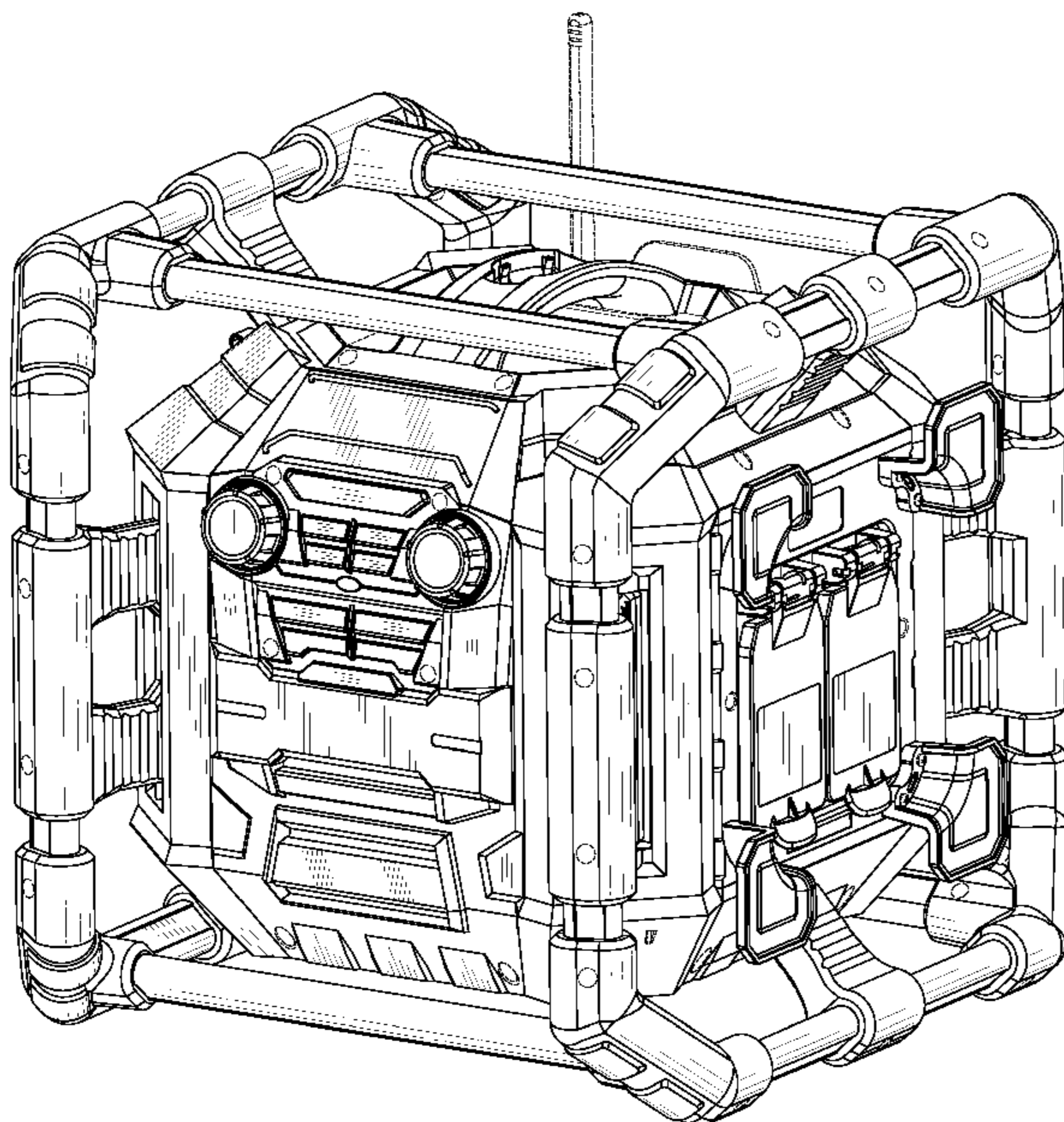
The ornamental design for a portable audio device, as shown and described.

**DESCRIPTION**

FIG. 1 is a perspective view of a portable audio device showing our new design; FIG. 2 is a top elevational view showing the design for the portable audio device of FIG. 1; FIG. 3 is a bottom elevational view showing the design for the portable audio device of FIG. 1; FIG. 4 is a front elevational view showing the design for the portable audio device of FIG. 1; FIG. 5 is a rear elevational view showing the design for the portable audio device of FIG. 1; FIG. 6 is a right side elevational view showing the design for the portable audio device of FIG. 1; and, FIG. 7 is left side elevational view showing the design for the portable audio device of FIG. 1.

The broken lines shown in the drawings are included for the purpose of illustrating unclaimed portions of the portable audio device and form no part of the claimed design.

**1 Claim, 7 Drawing Sheets**



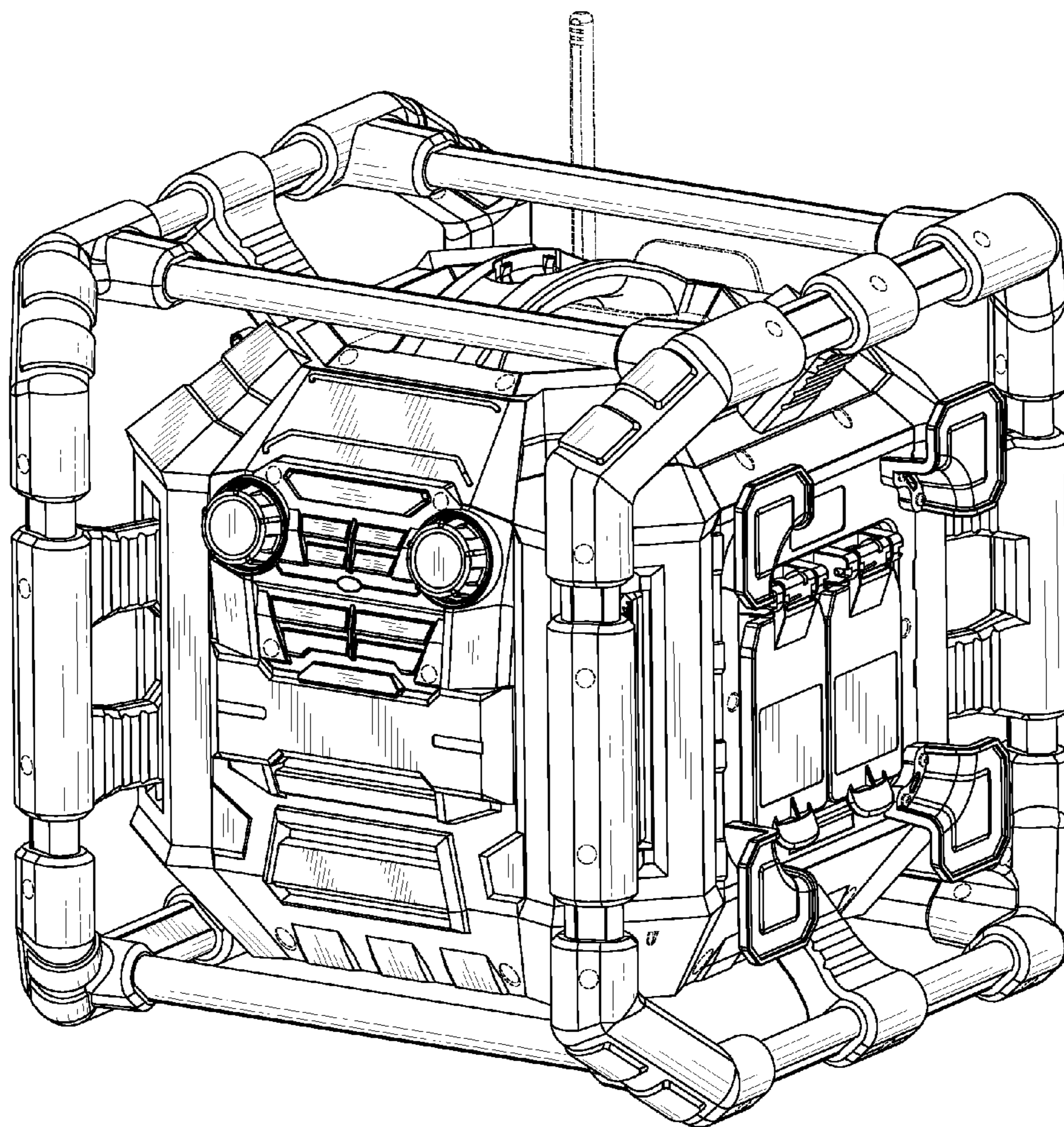


Fig. 1

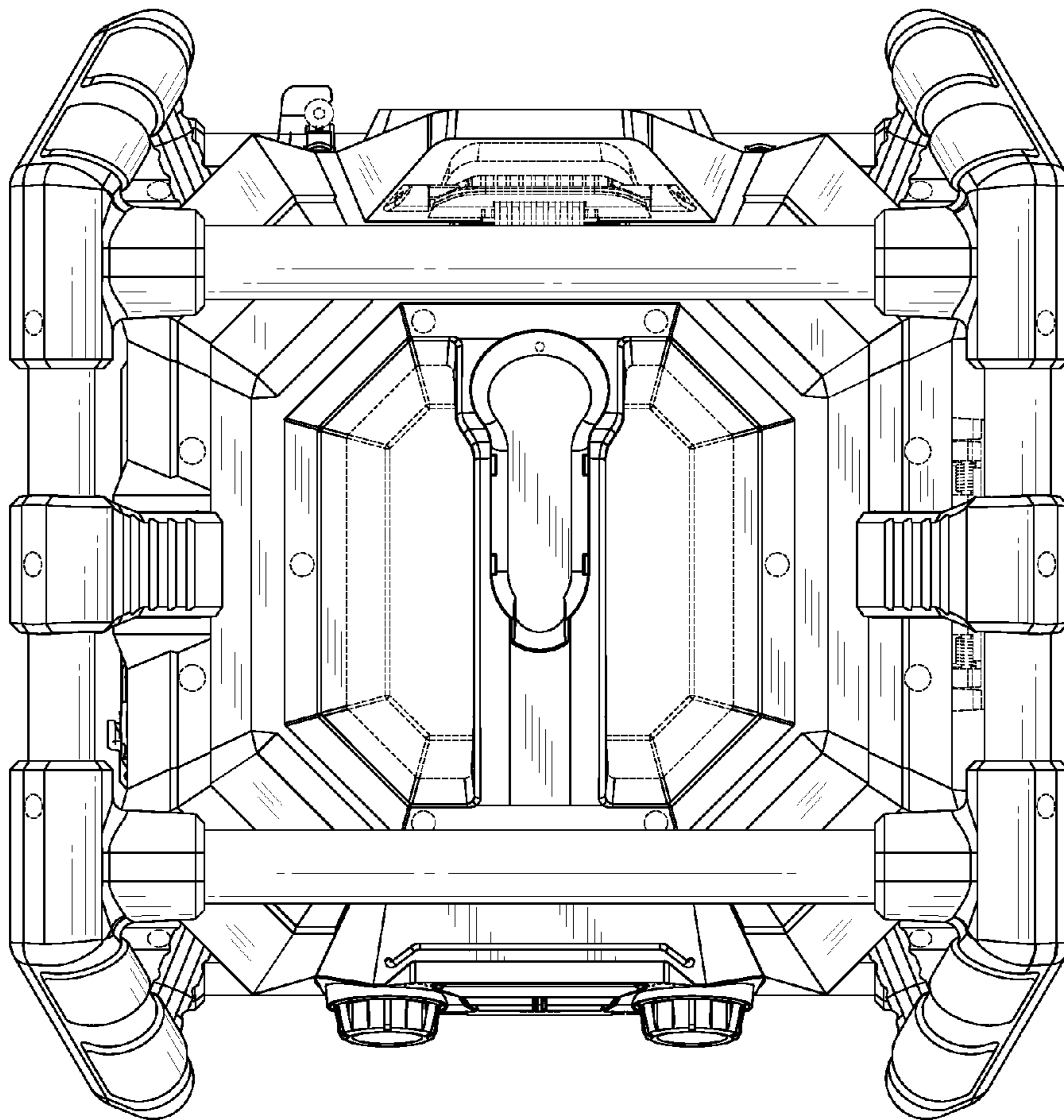


Fig. 2

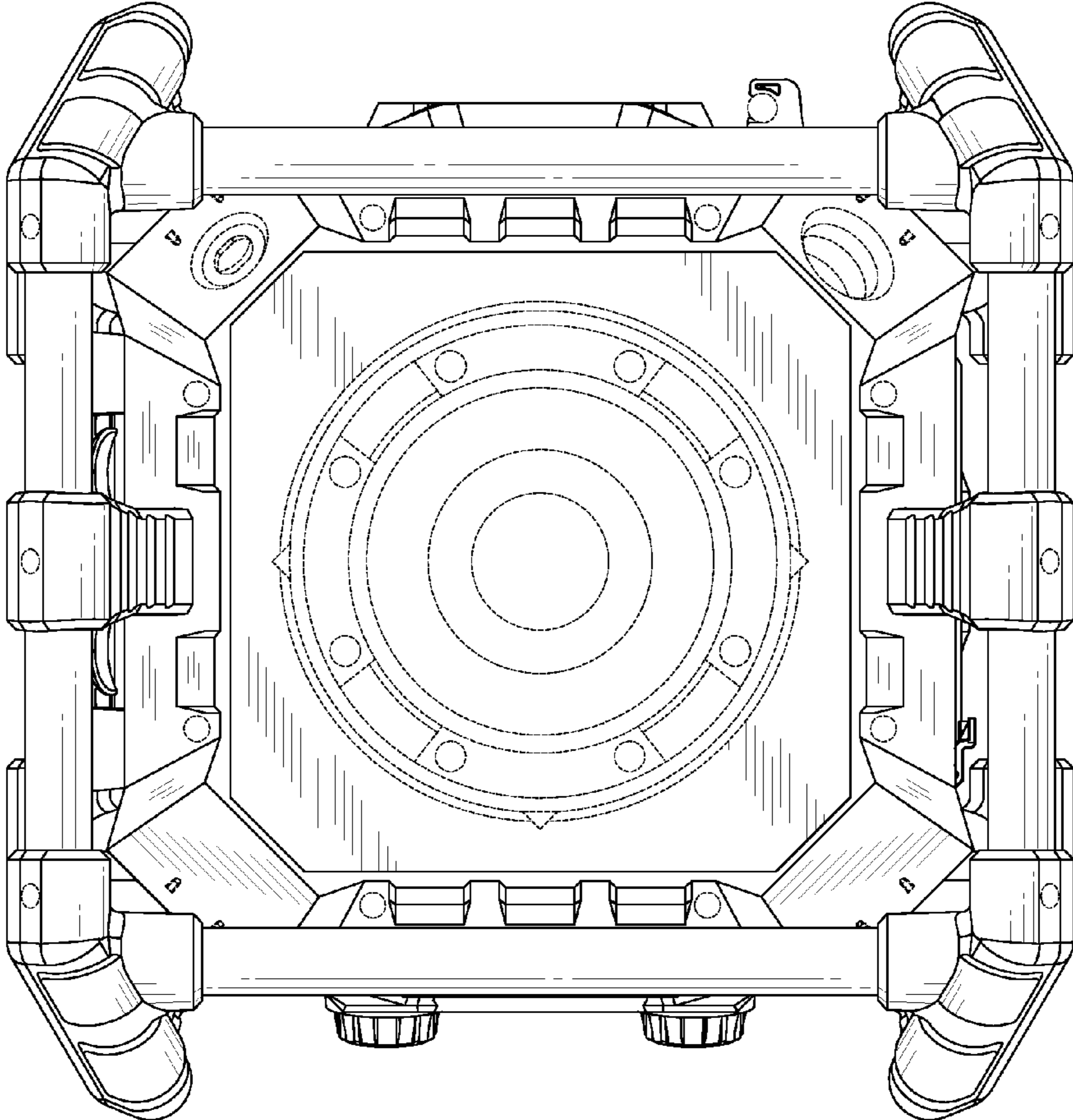


Fig. 3

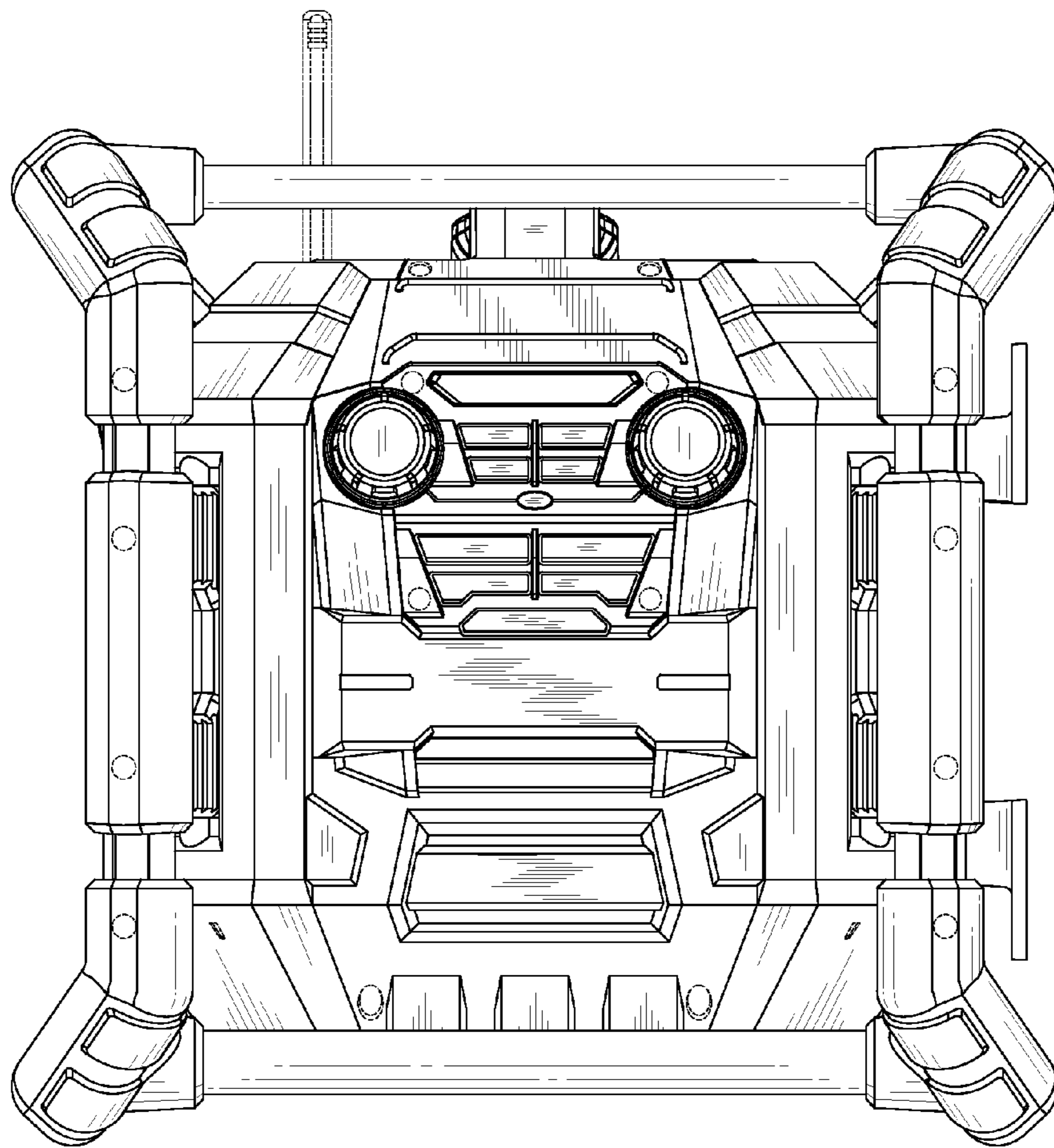


Fig. 4

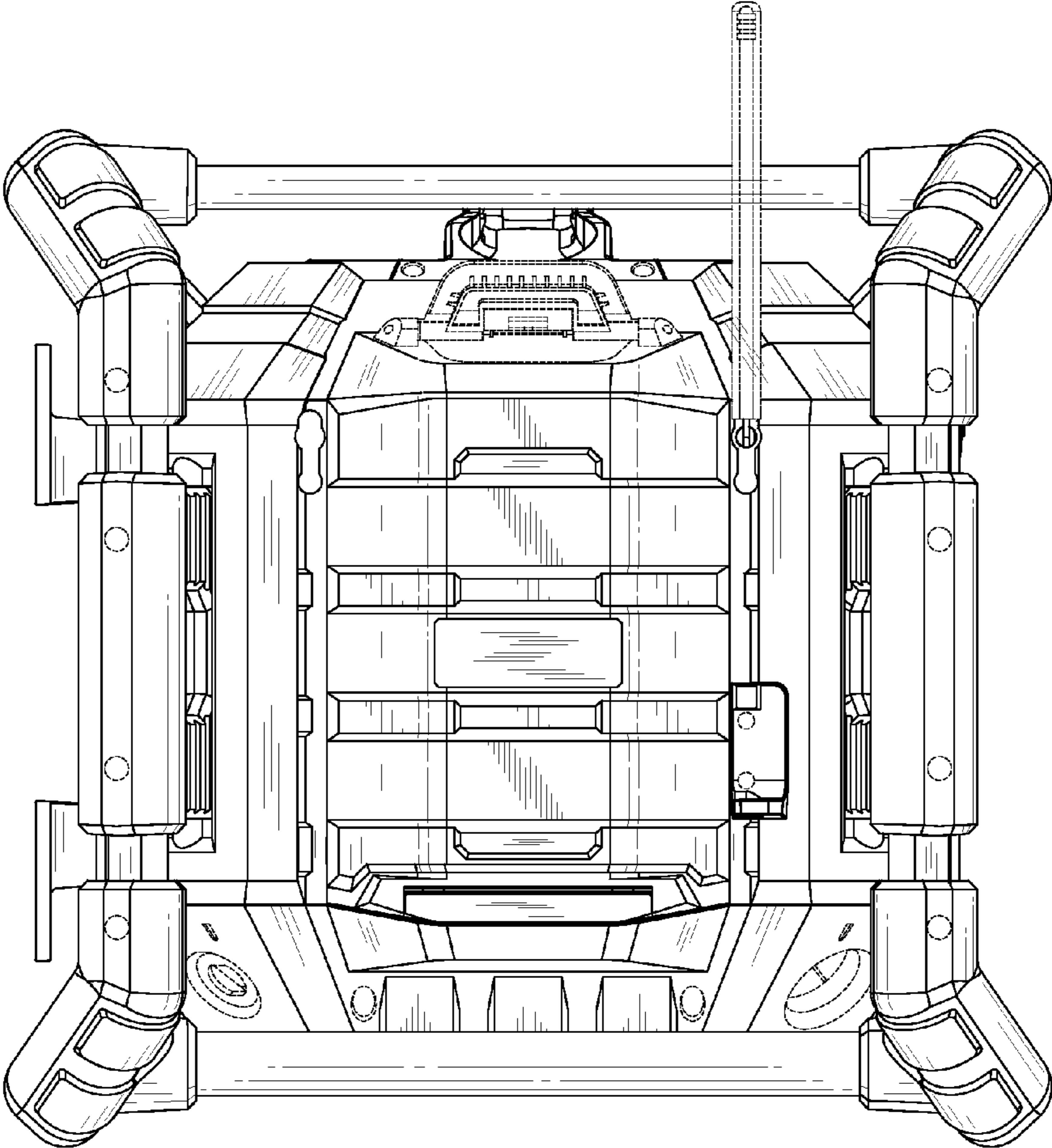


Fig. 5

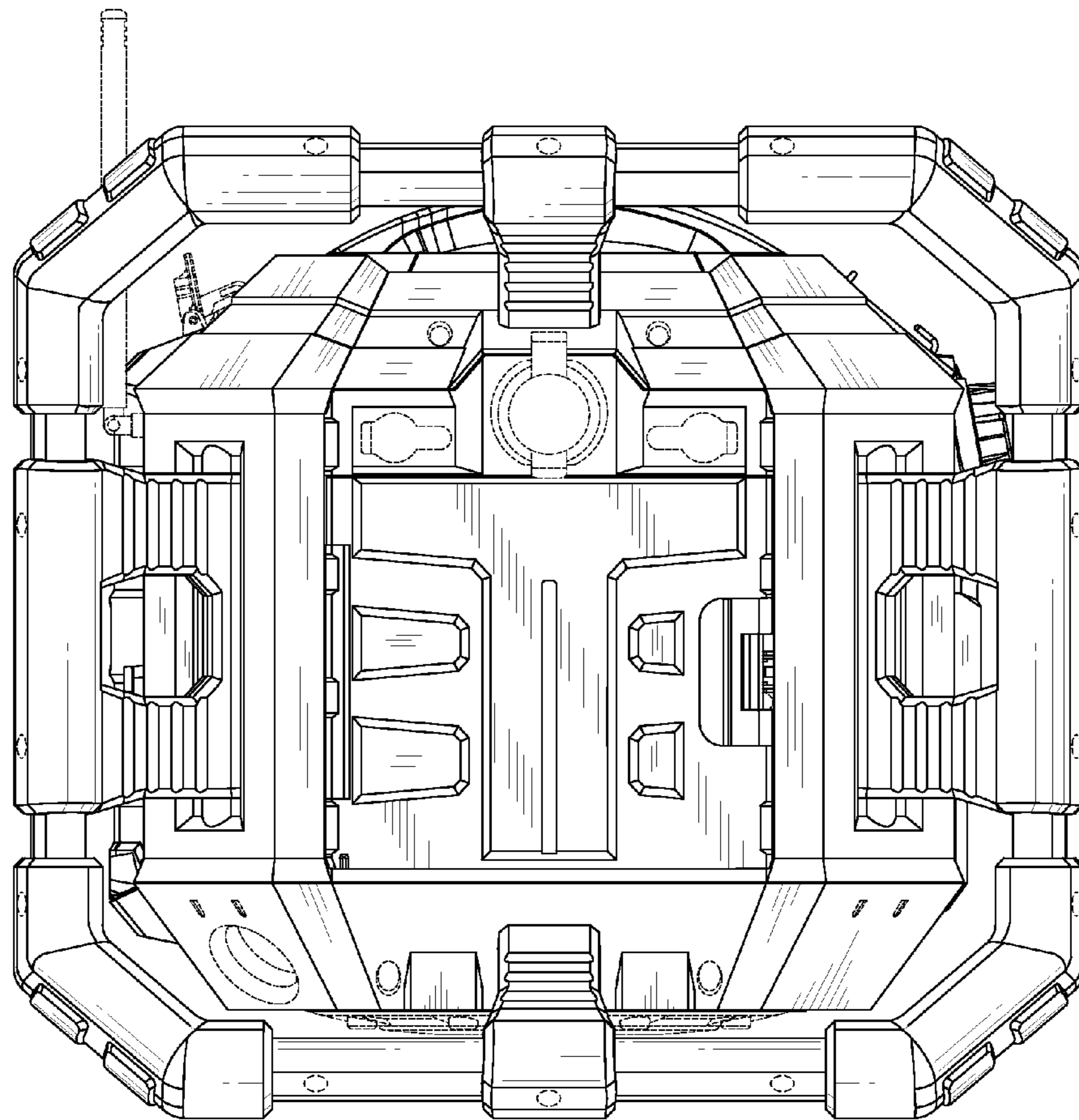


Fig. 6

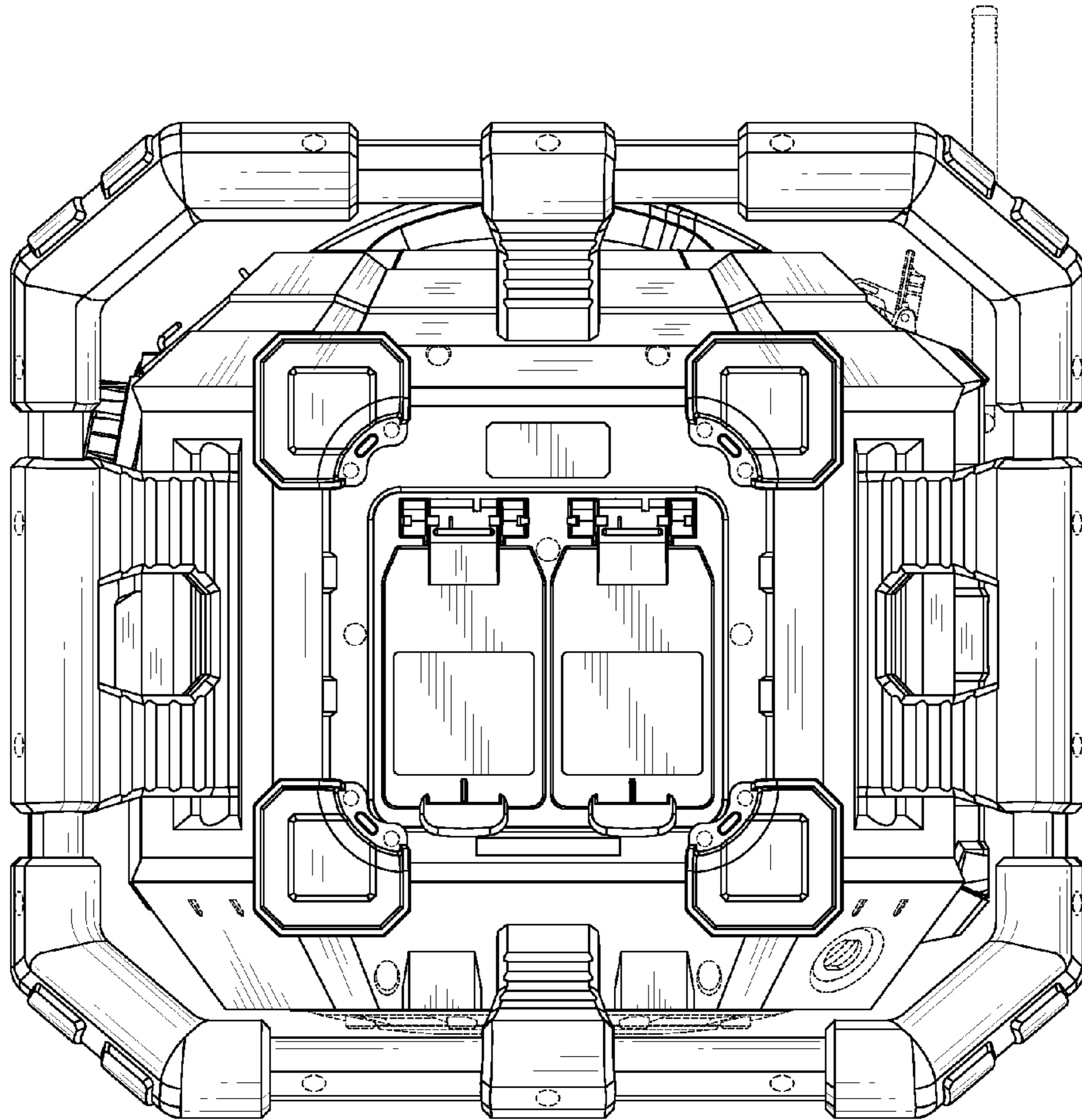


Fig. 7