



US00D674370S

(12) **United States Design Patent**  
**Ohta**

(10) **Patent No.:** **US D674,370 S**  
(45) **Date of Patent:** **\*\* Jan. 15, 2013**

(54) **VOICE RECORDING/REPRODUCING DEVICE**

(75) Inventor: **Hiroyuki Ohta**, Yokohama (JP)

(73) Assignee: **Olympus Imaging Corp**, Tokyo (JP)

(\*\*) Term: **14 Years**

(21) Appl. No.: **29/402,063**

(22) Filed: **Sep. 20, 2011**

(30) **Foreign Application Priority Data**

Mar. 25, 2011 (JP) ..... 2011-006757  
Mar. 25, 2011 (JP) ..... 2011-006774

(51) **LOC (9) Cl.** ..... **14-01**

(52) **U.S. Cl.** ..... **D14/167**

(58) **Field of Classification Search** ..... D14/167,  
D14/154, 168, 188, 496, 156, 160, 161, 162,  
D14/163, 164, 165, 158, 203.1, 341, 346,  
D14/342, 345, 225, 226, 228, 227, 214; 455/351,  
455/350; D19/60, 62; D21/330; 369/44.14,  
369/44.32; 700/94

See application file for complete search history.

(56) **References Cited**

**U.S. PATENT DOCUMENTS**

D310,079 S \* 8/1990 Mitsuse ..... D14/165  
D318,666 S \* 7/1991 Mitsuse ..... D14/165  
D334,933 S \* 4/1993 Takahashi ..... D14/165  
D385,274 S \* 10/1997 Shimobayashi ..... D14/154  
D427,176 S \* 6/2000 Obata ..... D14/167  
D473,207 S \* 4/2003 Tanio ..... D14/168  
D510,334 S \* 10/2005 Isono ..... D14/167  
D533,861 S \* 12/2006 Amano ..... D14/167  
D575,264 S \* 8/2008 Nakajima ..... D14/167

D592,635 S \* 5/2009 Obata et al. .... D14/167  
D596,155 S \* 7/2009 Sakai ..... D14/167  
D635,122 S \* 3/2011 Sakai ..... D14/167  
D635,544 S \* 4/2011 Nohara ..... D14/167  
D635,545 S \* 4/2011 Sakai ..... D14/167  
D646,261 S \* 10/2011 Hayashi ..... D14/167

\* cited by examiner

*Primary Examiner* — Austin Murphy

(74) *Attorney, Agent, or Firm* — Holtz, Holtz, Goodman & Chick, PC

(57) **CLAIM**

The ornamental design for a voice recording/reproducing device, as shown and described.

**DESCRIPTION**

FIG. 1 is a front, top and right side perspective view of a voice recording/reproducing device of a first embodiment showing my new design;

FIG. 2 is a front elevational view thereof;

FIG. 3 is a rear elevational view thereof;

FIG. 4 is a top plan view thereof;

FIG. 5 is a bottom plan view thereof;

FIG. 6 is a right side elevational view thereof; and

FIG. 7 is a left side elevational view thereof.

FIG. 8 is a front, top and right side perspective view of a second embodiment;

FIG. 9 is a front elevational view thereof;

FIG. 10 is a rear elevational view thereof;

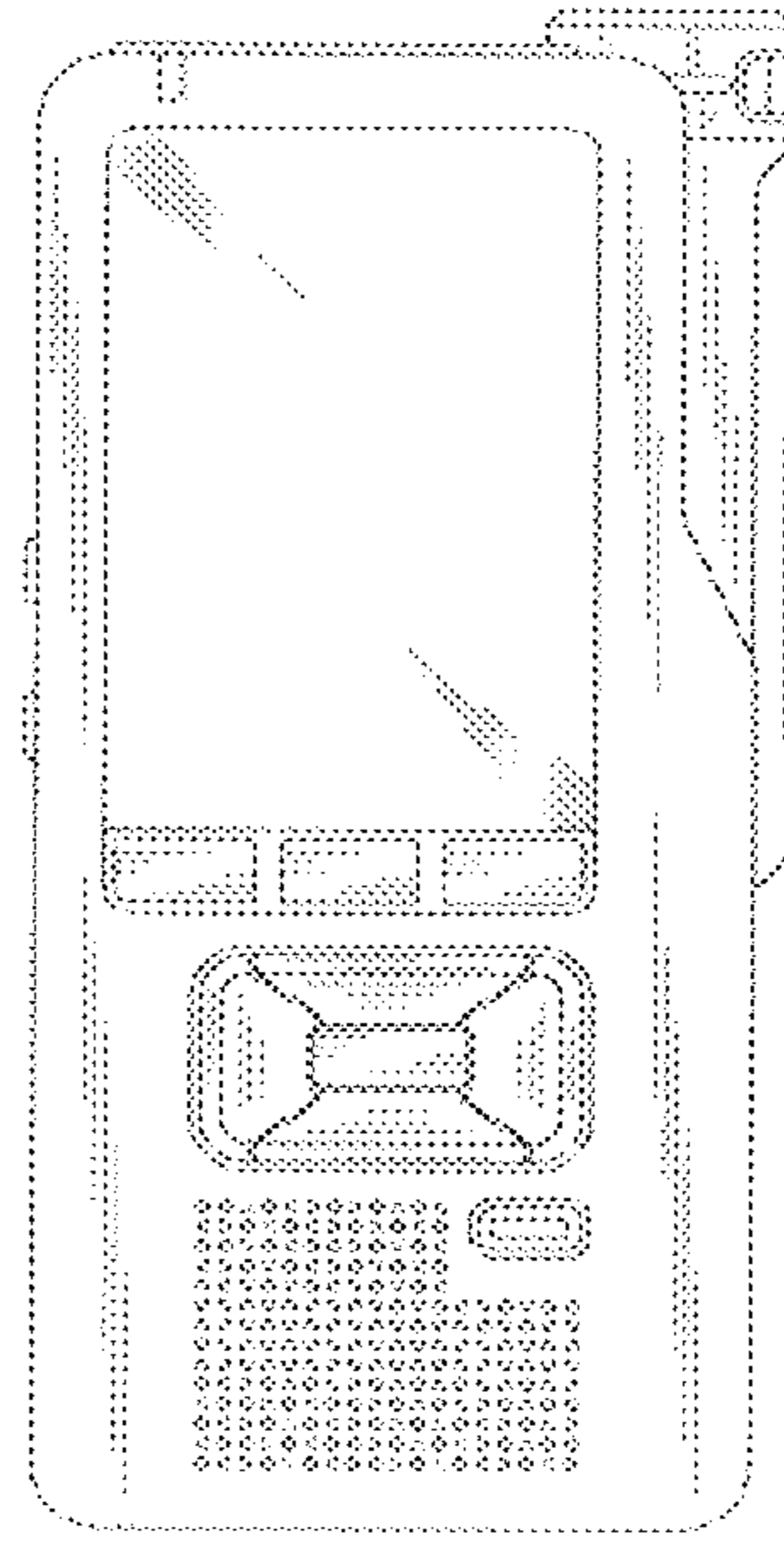
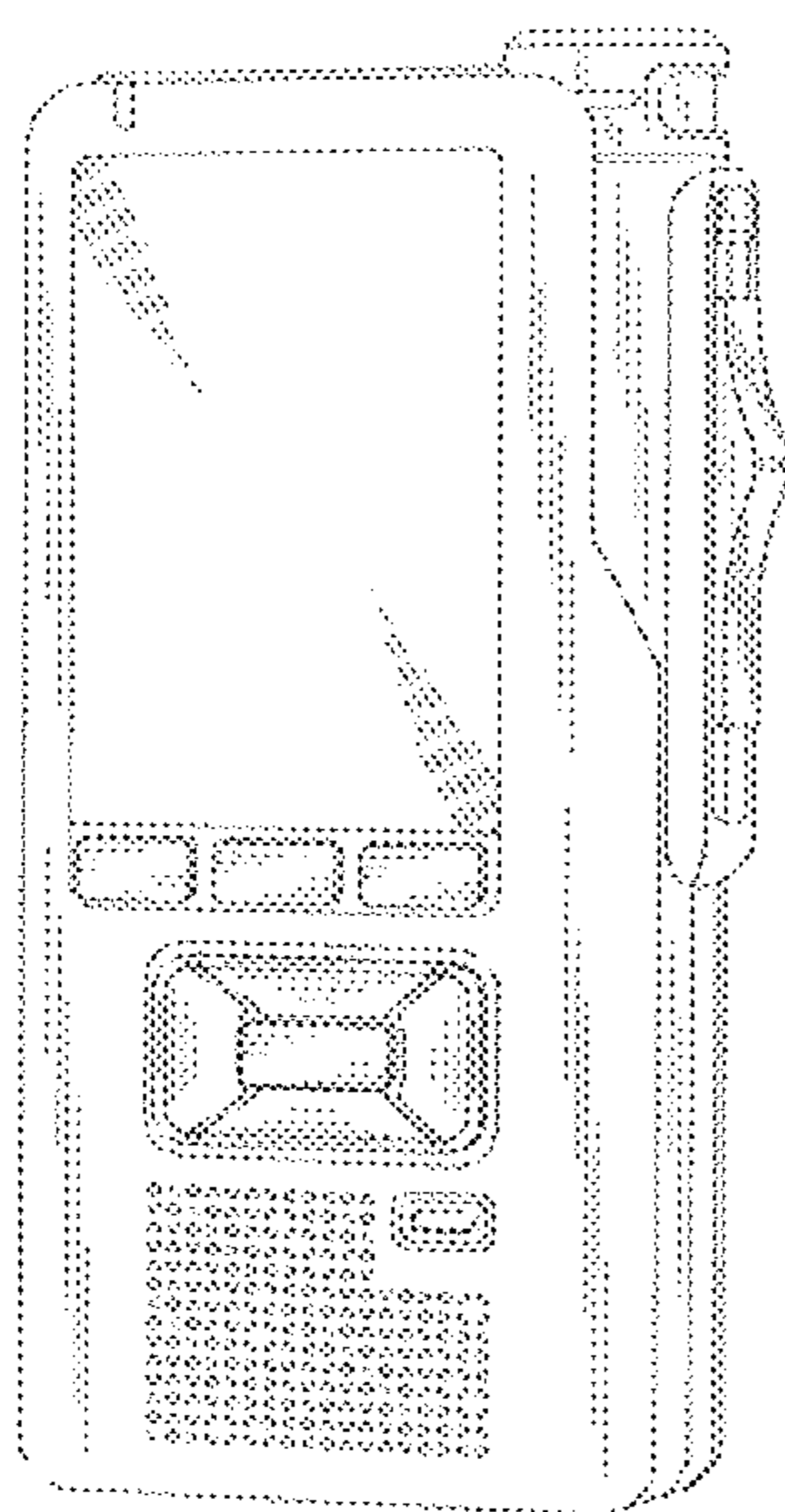
FIG. 11 is a top plan view thereof;

FIG. 12 is a bottom plan view thereof;

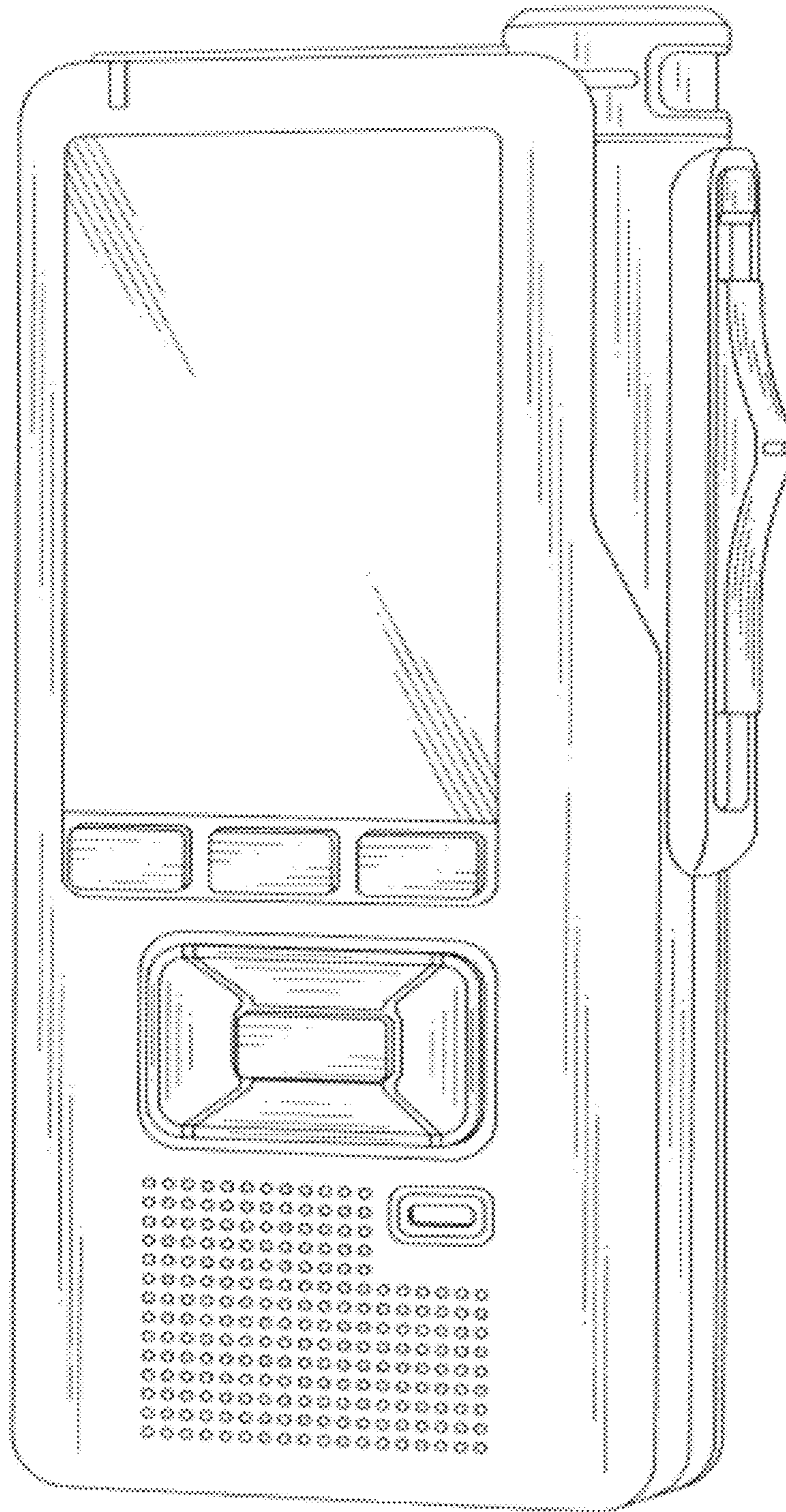
FIG. 13 is a right side elevational view thereof; and,

FIG. 14 is a left side elevational view thereof.

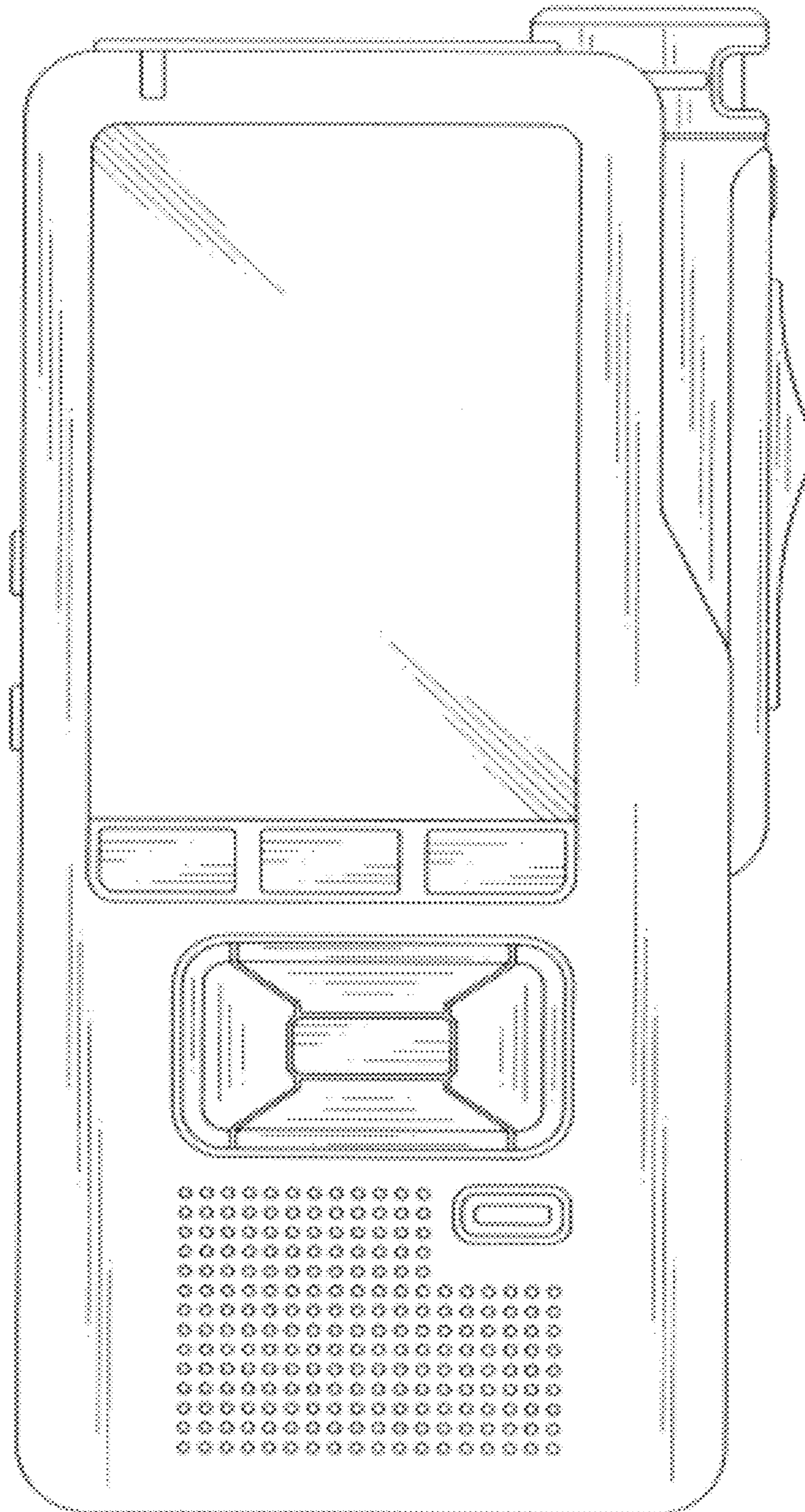
**1 Claim, 10 Drawing Sheets**



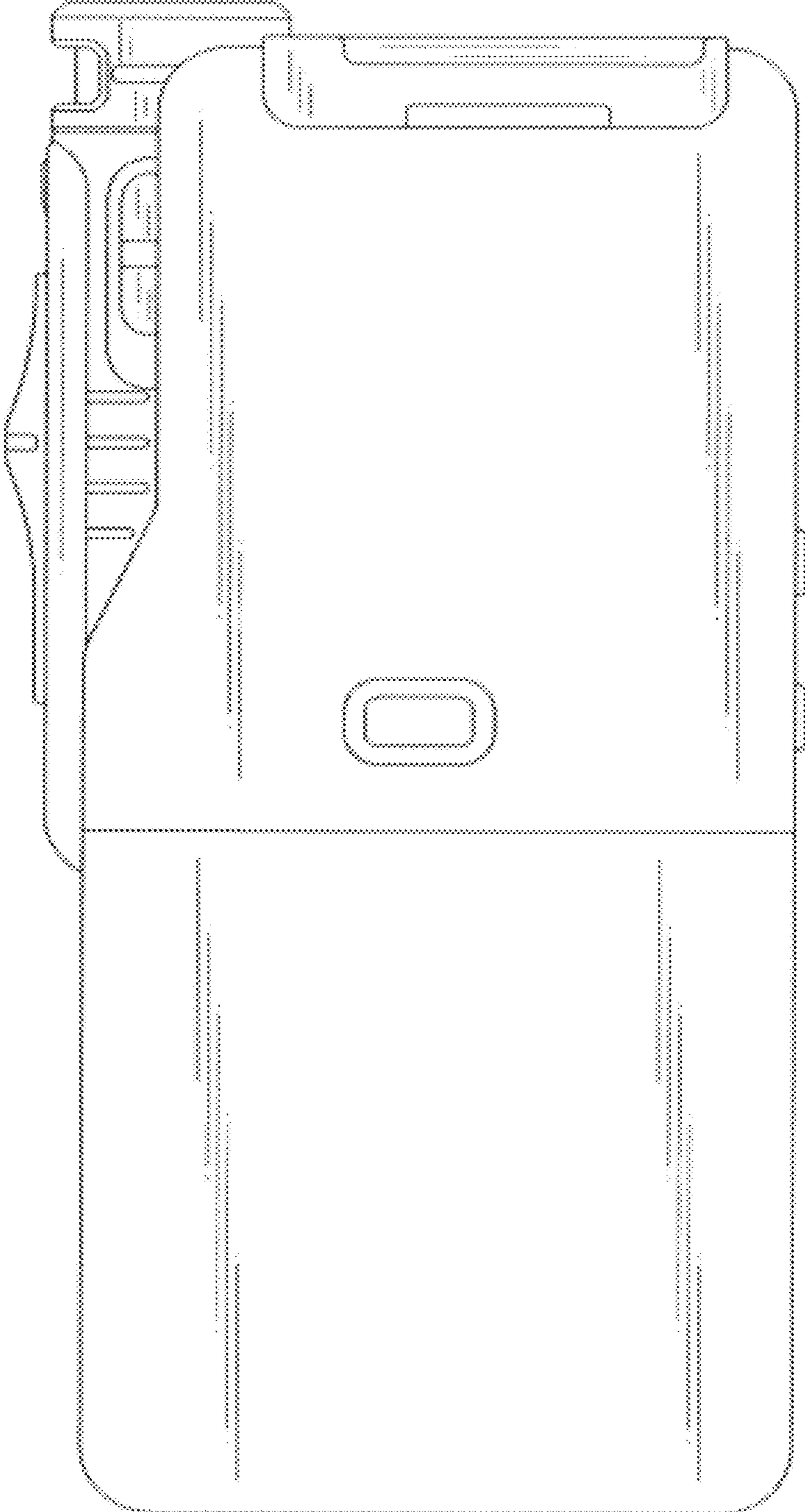
**FIG. 1**



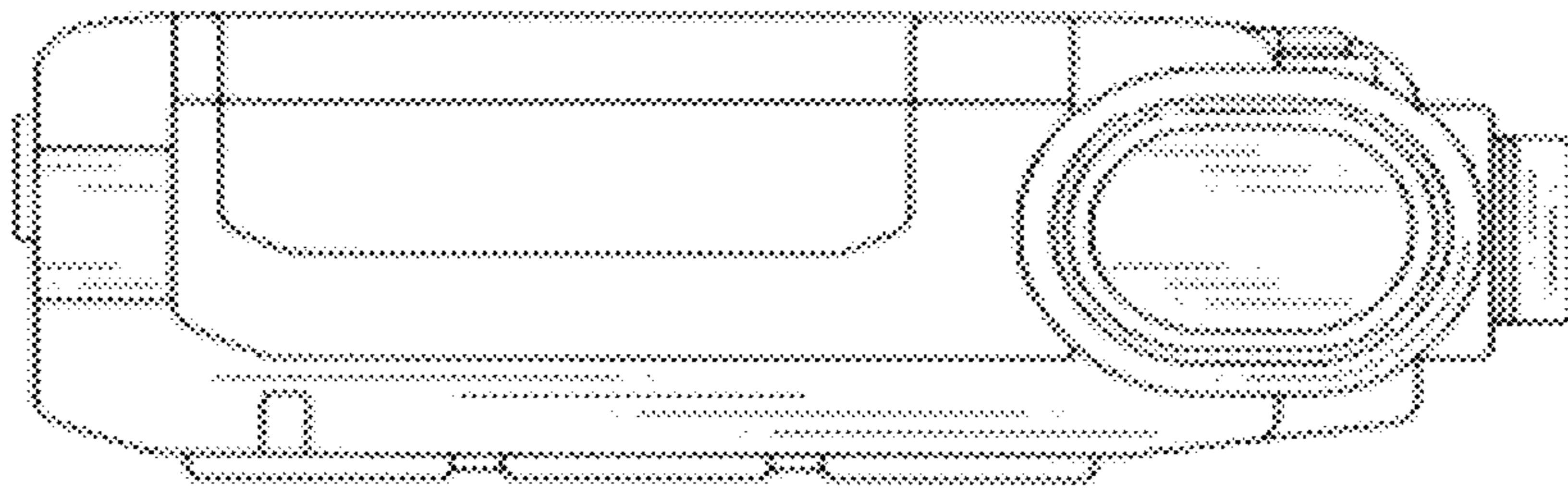
**FIG. 2**



**FIG. 3**



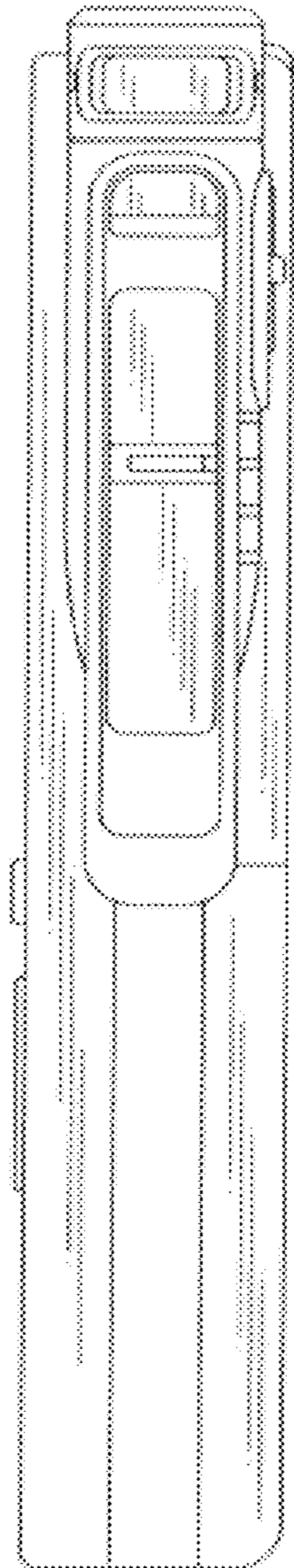
**FIG.4**



**FIG.5**



**FIG.6**



**FIG.7**

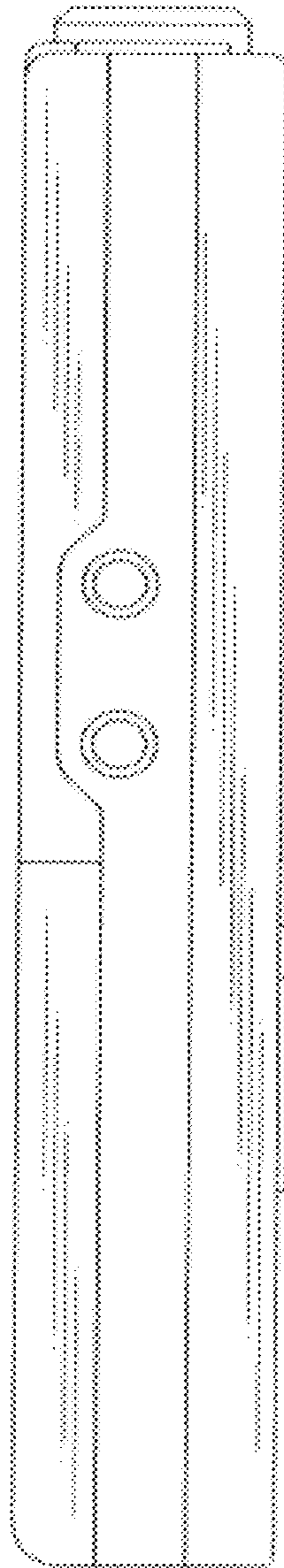
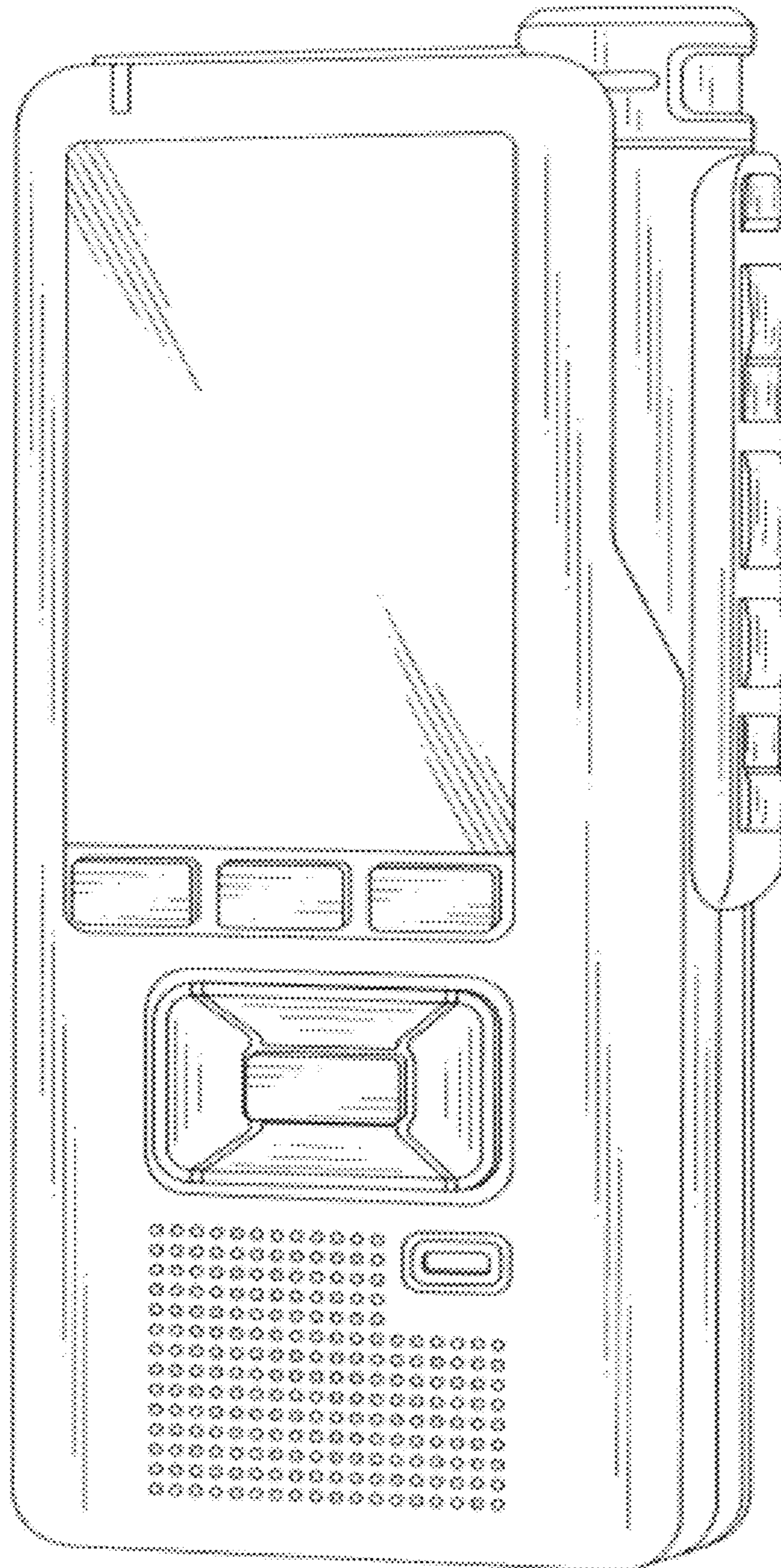
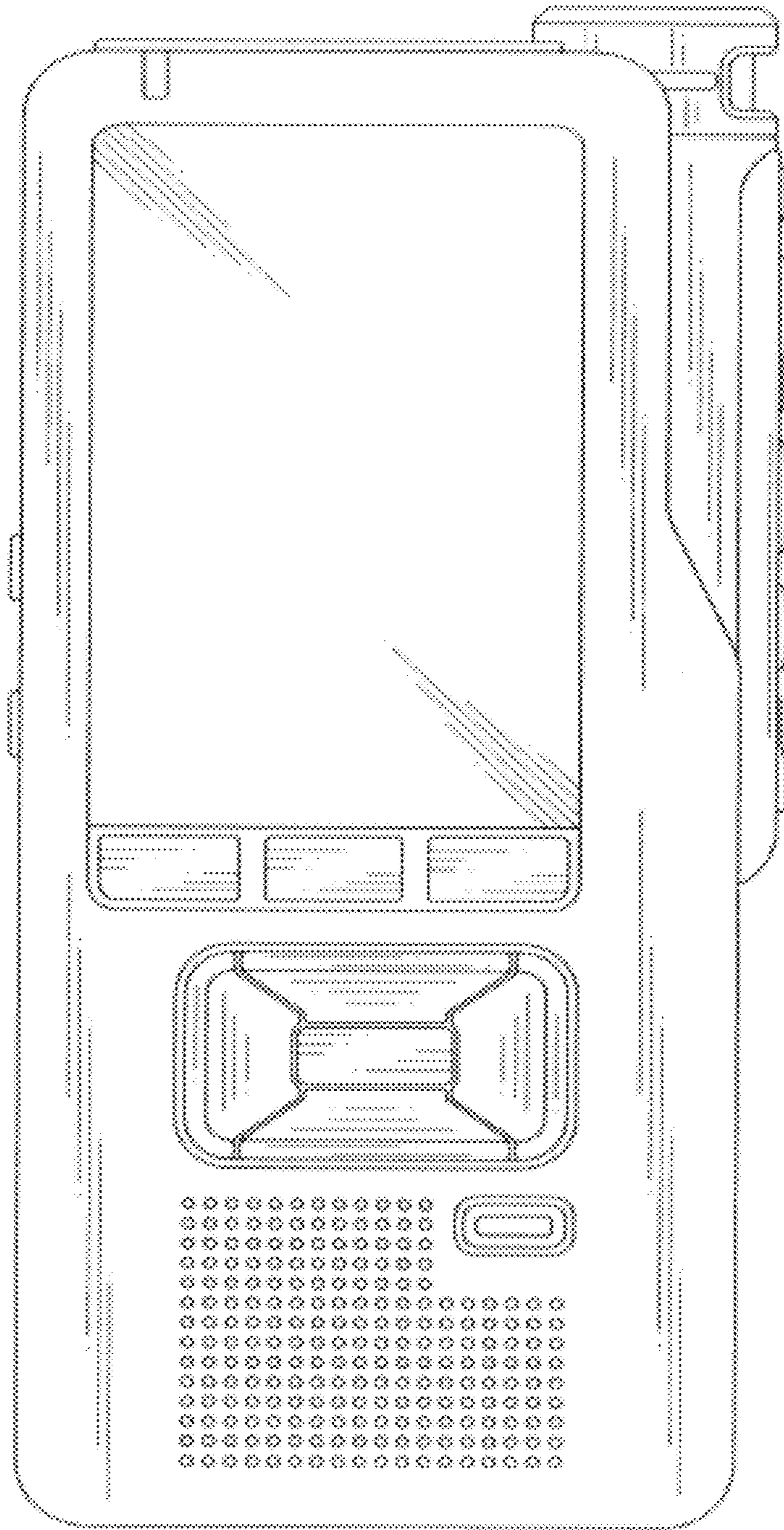


FIG. 8

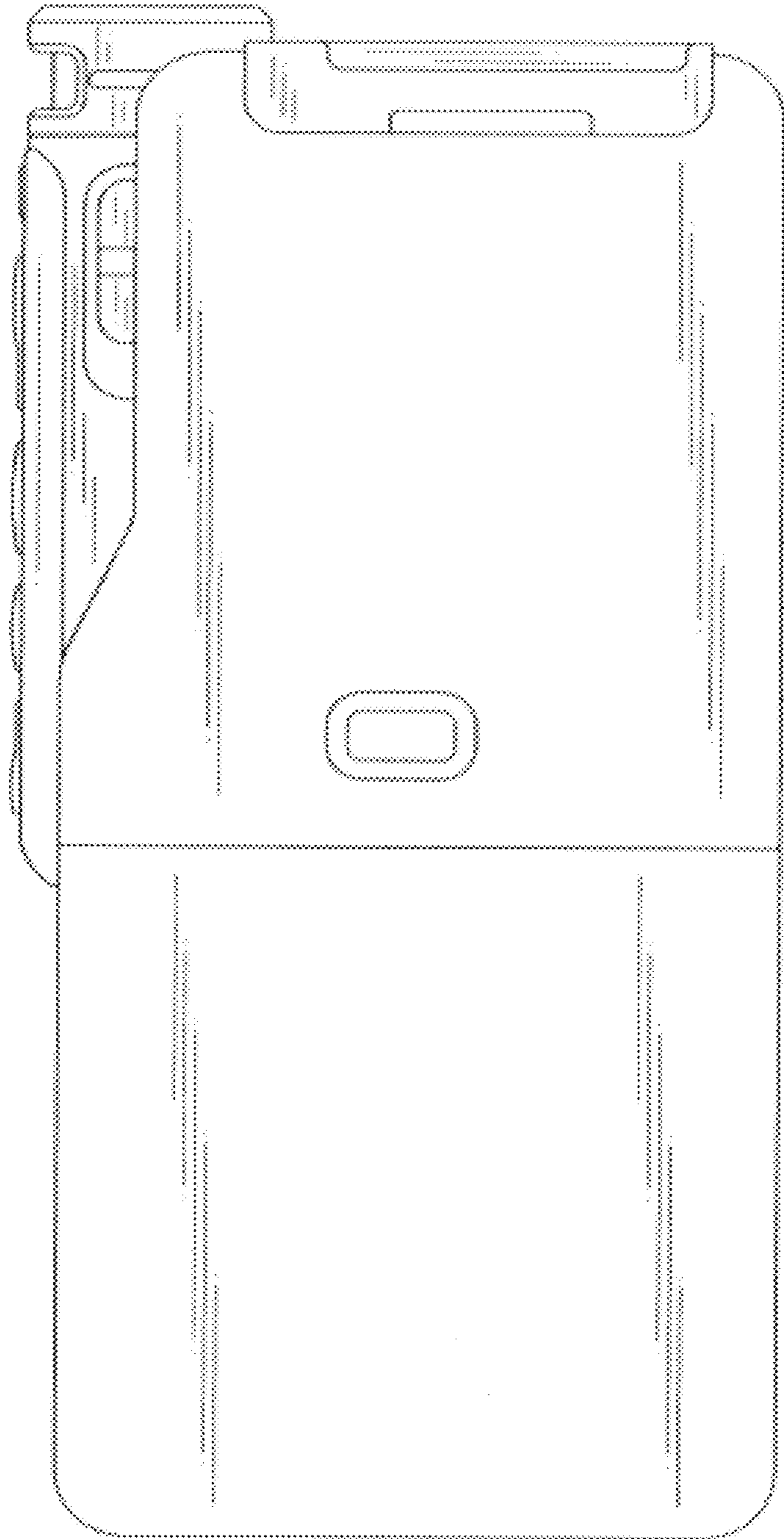


**FIG. 9**

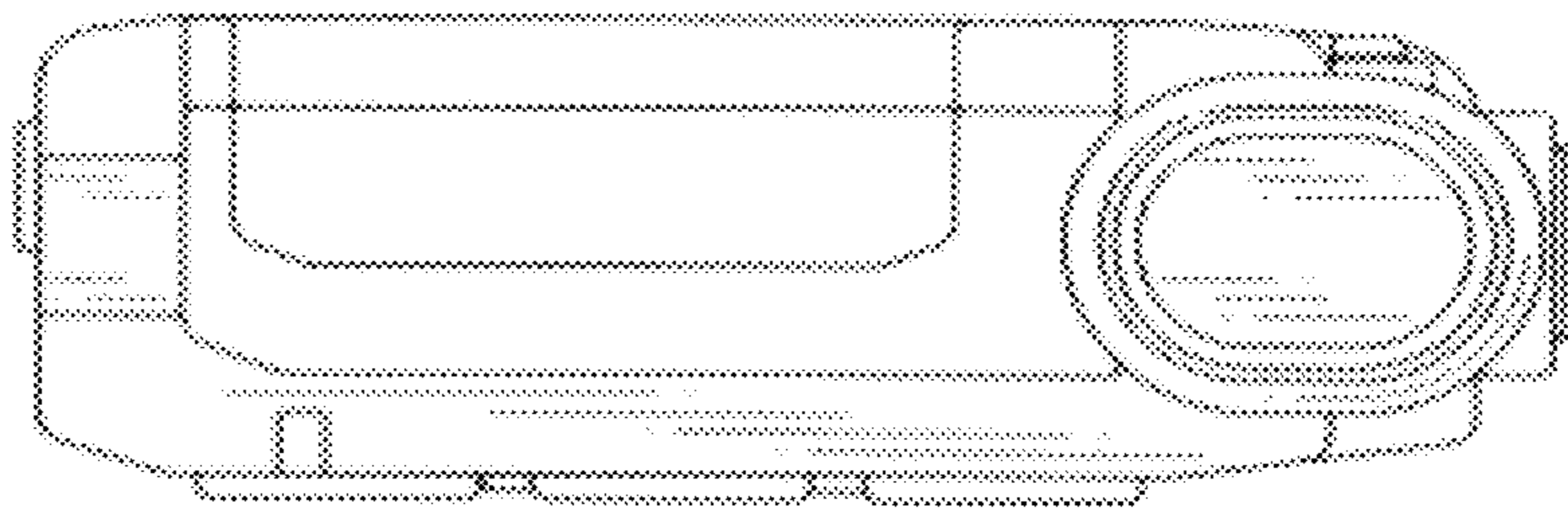




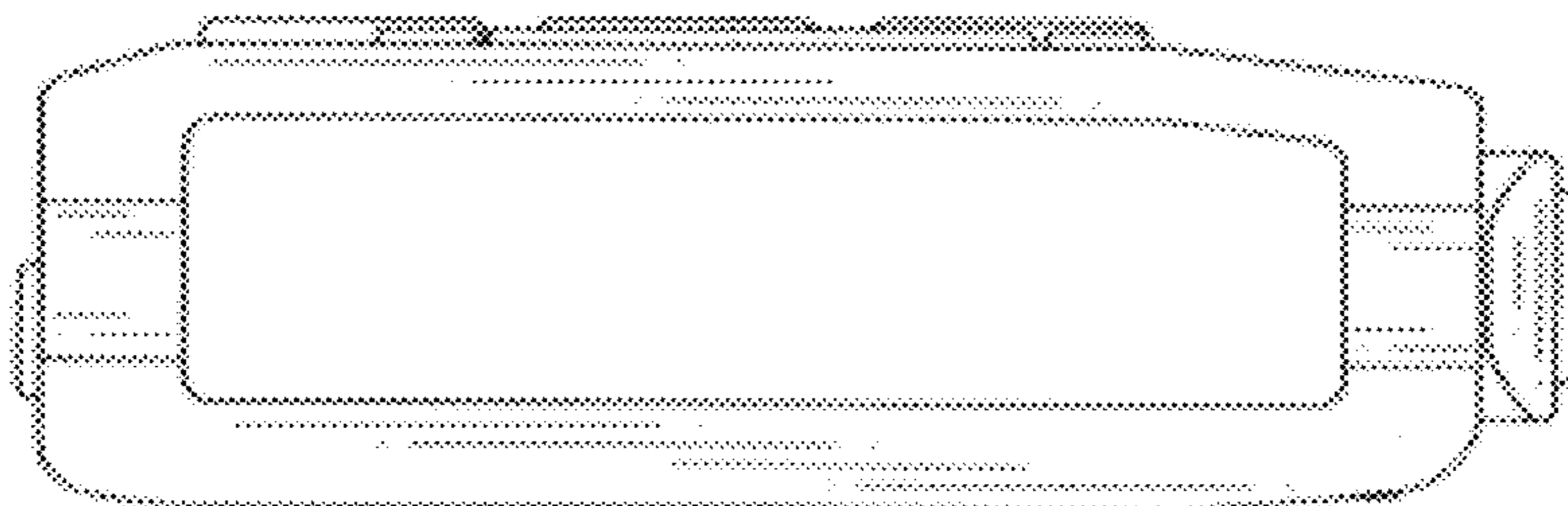
**FIG. 10**



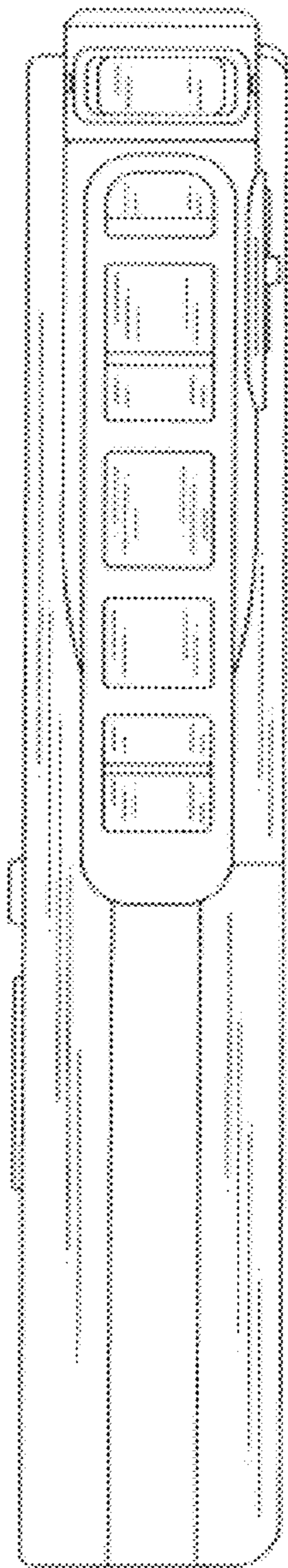
**FIG.11**



**FIG.12**



**FIG.13**



**FIG.14**

