



US00D674367S

(12) **United States Design Patent**
Dernier

(10) **Patent No.:** **US D674,367 S**
(45) **Date of Patent:** **** Jan. 15, 2013**

(54) **SET TOP BOX**

(75) Inventor: **William Dernier**, Indianapolis, IN (US)

(73) Assignee: **Thomson Licensing**, Issy les
Moulineaux (FR)

(**) Term: **14 Years**

(21) Appl. No.: **29/431,187**

(22) Filed: **Sep. 5, 2012**

(51) **LOC (9) Cl.** **14-03**

(52) **U.S. Cl.** **D14/125**

(58) **Field of Classification Search** D14/125,
D14/357-358, 496, 188, 242, 432; D13/184;
348/10, 460, 706, 731; 340/825.03; 455/6.1,
455/6.2; 312/223.1, 7.2

See application file for complete search history.

(56) **References Cited**

U.S. PATENT DOCUMENTS

D549,191 S *	8/2007	Paradise et al.	D14/125
D599,753 S *	9/2009	Cho et al.	D14/125
D638,384 S *	5/2011	Ishibashi	D14/125
D639,255 S *	6/2011	de Salis	D14/125
D643,822 S *	8/2011	Crosby et al.	D14/125
D654,445 S *	2/2012	Daniel	D14/125

D661,670 S *	6/2012	Huang	D14/125
D666,563 S *	9/2012	Lee	D14/125
D666,564 S *	9/2012	Lee	D14/125

* cited by examiner

Primary Examiner — Raphael Barkai

Assistant Examiner — Randall Gholson

(74) *Attorney, Agent, or Firm* — Tutunjian & Bitetto, P.C.

(57) **CLAIM**

The ornamental design for a set top box, as shown and described.

DESCRIPTION

FIG. 1 is a perspective view of the set top box showing my new design;

FIG. 2 is a front view thereof;

FIG. 3 is a top view thereof;

FIG. 4 is left side view thereof;

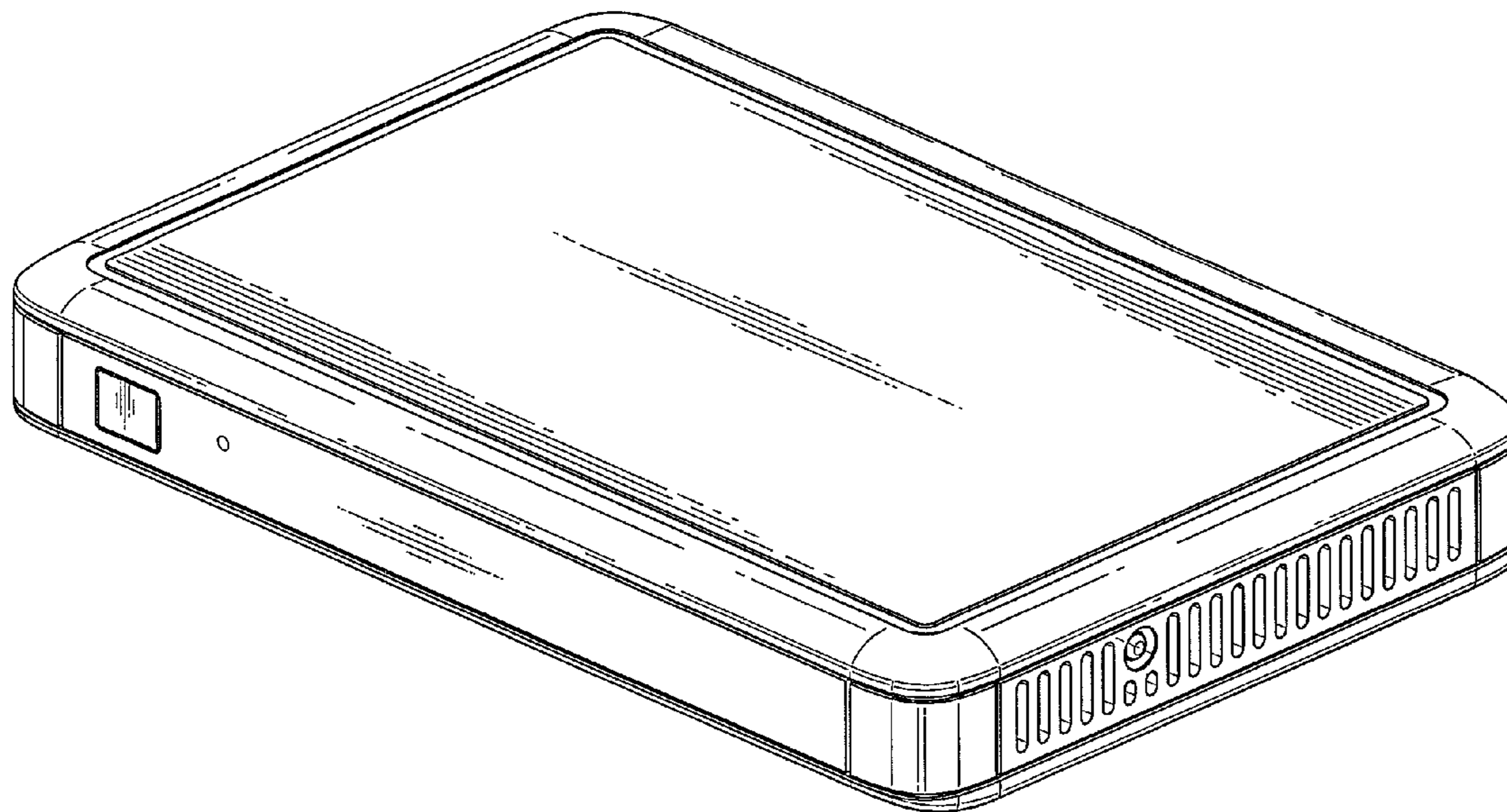
FIG. 5 is a right side view thereof;

FIG. 6 is a rear view thereof; and,

FIG. 7 is a bottom view thereof.

The lines shown in dotted configuration do not make up part of the claimed design.

1 Claim, 3 Drawing Sheets



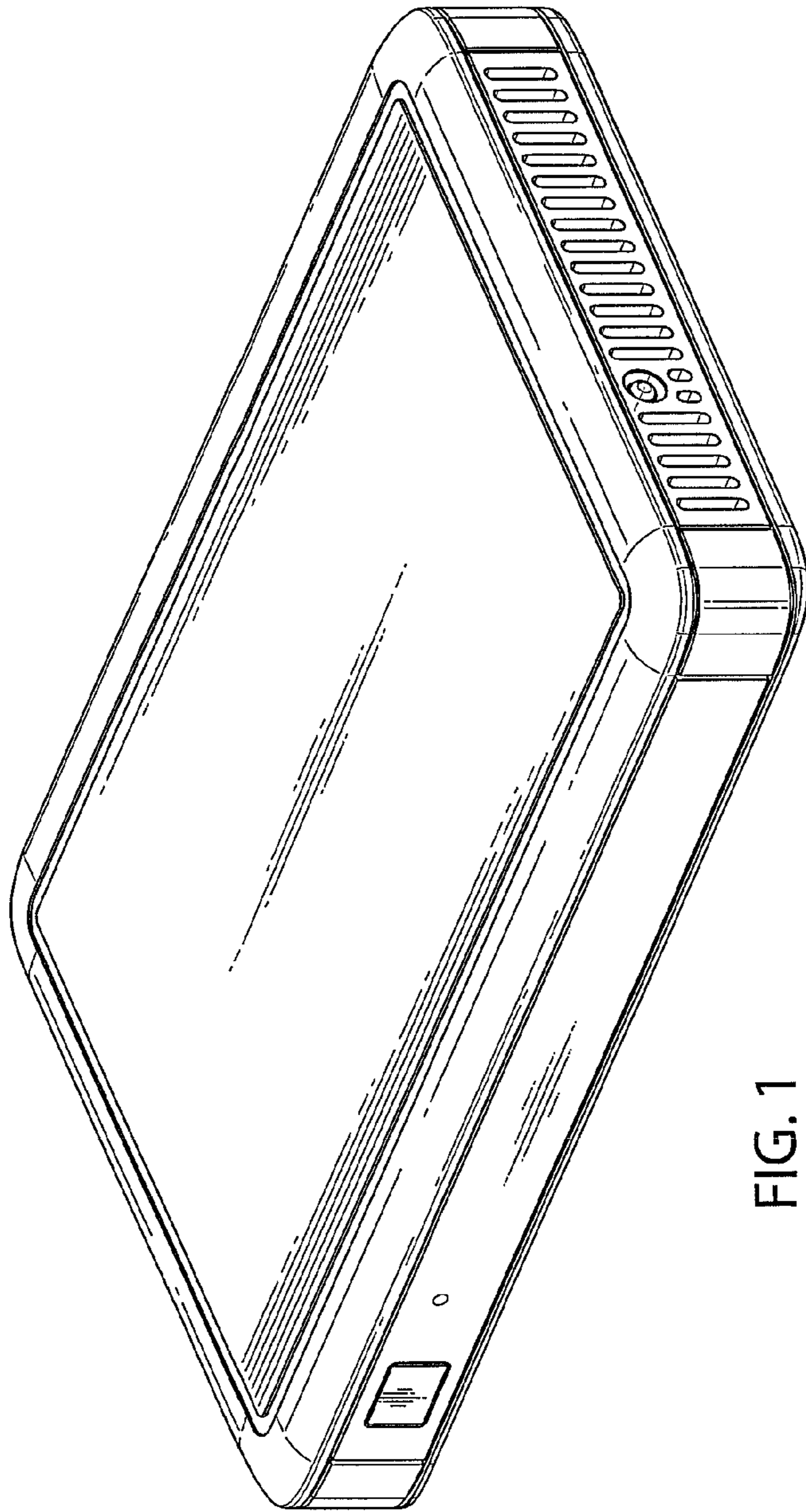


FIG. 1

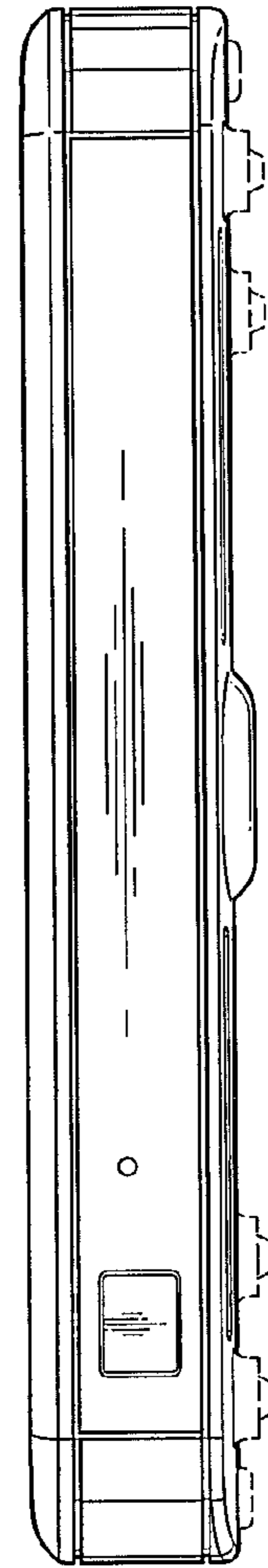


FIG. 2

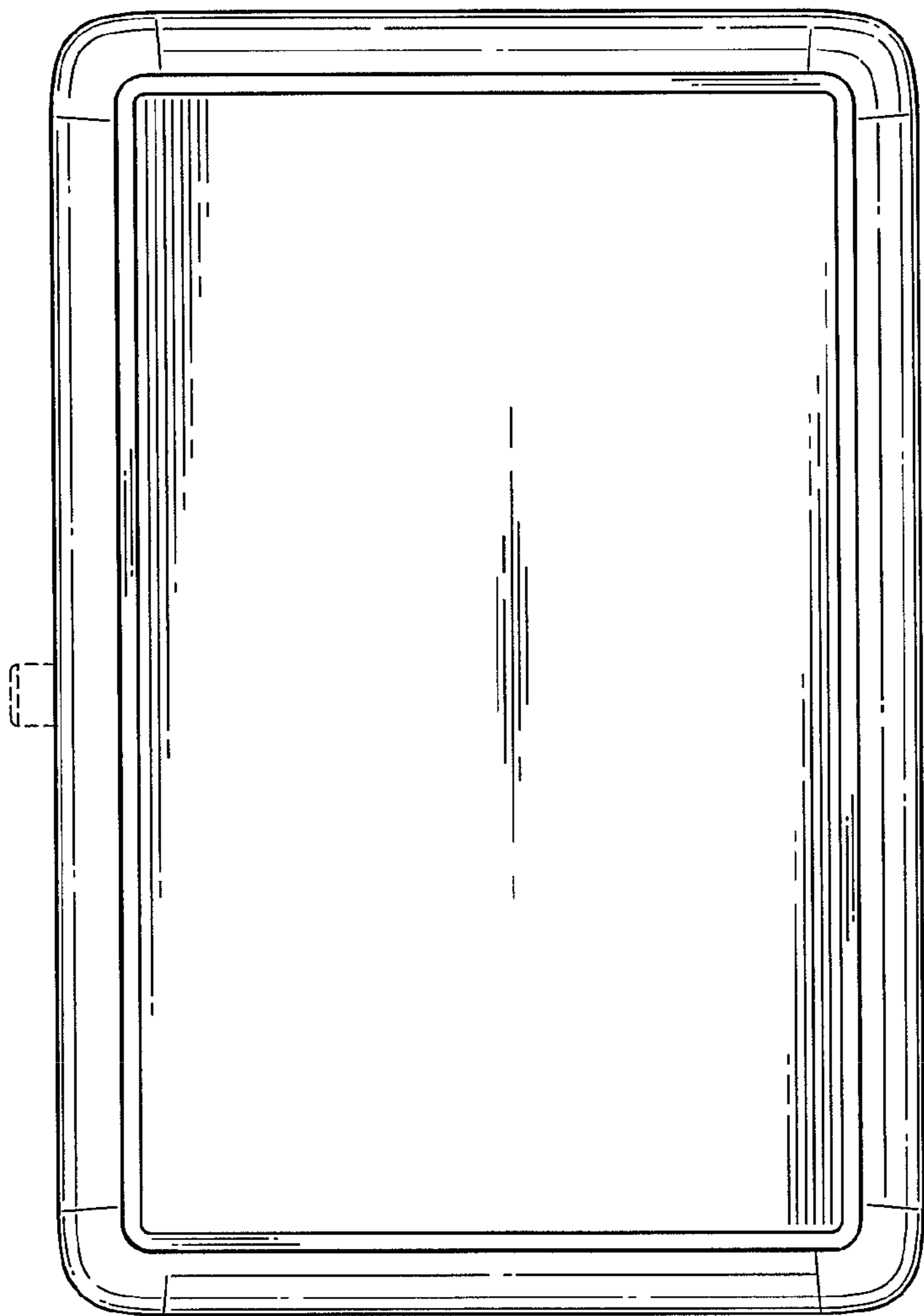


FIG. 3

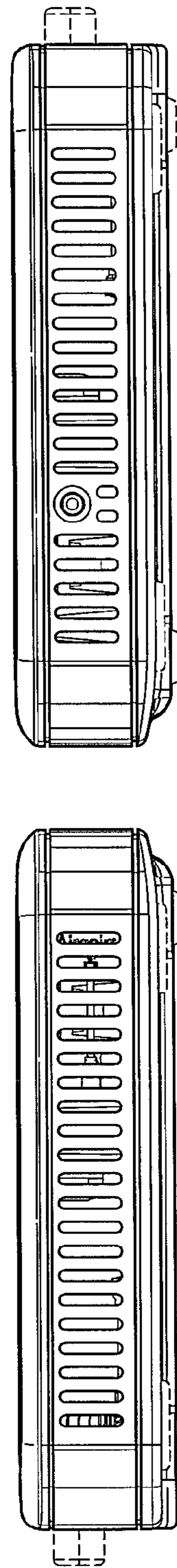


FIG. 5

FIG. 4

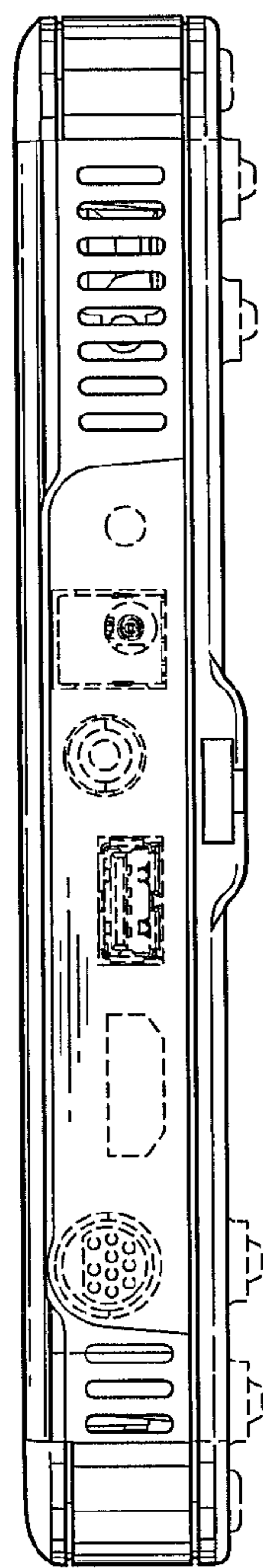


FIG. 6

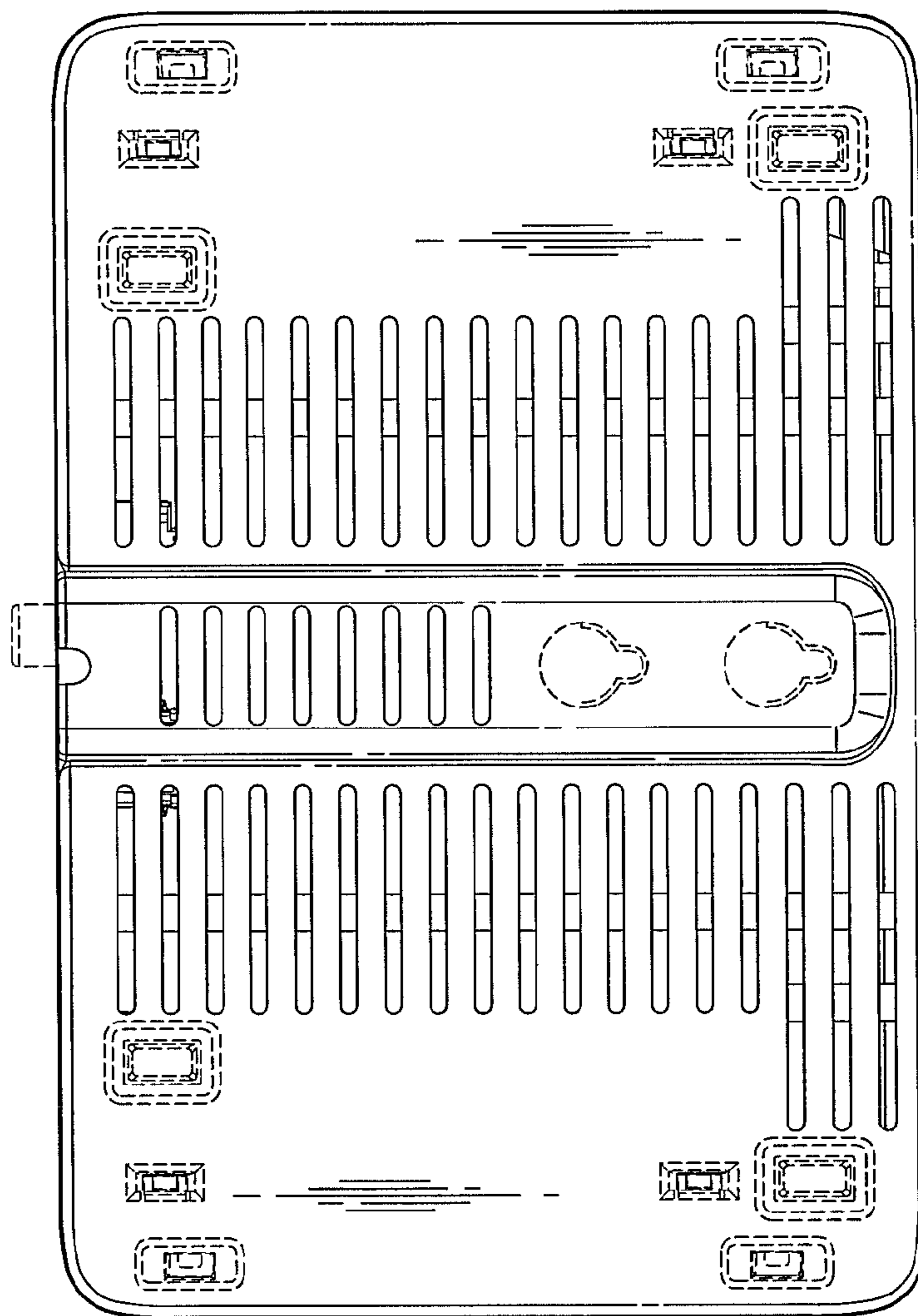


FIG. 7