



US00D674366S

(12) **United States Design Patent**  
**Kajiwara**

(10) **Patent No.:** **US D674,366 S**

(45) **Date of Patent:** **\*\* Jan. 15, 2013**

(54) **WAFER HOLDING MEMBER**

(75) **Inventor:** **Hideki Kajiwara, Koshi (JP)**

(73) **Assignee:** **Tokyo Electron Limited, Minato-Ku (JP)**

(\*\*) **Term:** **14 Years**

(21) **Appl. No.:** **29/396,050**

(22) **Filed:** **Jun. 24, 2011**

(30) **Foreign Application Priority Data**

Jan. 20, 2011 (JP) ..... 2011-001006

(51) **LOC (9) Cl.** ..... **13-03**

(52) **U.S. Cl.** ..... **D13/182**

(58) **Field of Classification Search** ..... D13/182;  
118/500, 725, 728, 729; 294/103.1; 414/217,  
414/222.01, 416.03, 941

See application file for complete search history.

(56) **References Cited**

**U.S. PATENT DOCUMENTS**

4,938,166	A *	7/1990	Joyce	118/500
5,643,366	A *	7/1997	Somekh et al.	118/729
5,851,041	A *	12/1998	Anderson et al.	294/106
5,881,668	A *	3/1999	Begin et al.	118/500
6,117,238	A *	9/2000	Begin	118/500
6,244,641	B1 *	6/2001	Szapucki et al.	294/188
6,267,423	B1 *	7/2001	Marohl et al.	294/213

6,409,453	B1 *	6/2002	Brodine et al.	414/416.01
6,491,330	B1 *	12/2002	Mankame et al.	294/196
6,558,562	B2 *	5/2003	Mallery et al.	216/38
7,100,954	B2 *	9/2006	Klein et al.	294/64.3
D589,474	S *	3/2009	Ogasawara et al.	D13/182
D589,912	S *	4/2009	Ogasawara et al.	D13/182
7,644,968	B2 *	1/2010	Hirooka et al.	294/103.1
7,694,647	B2 *	4/2010	Ishikawa et al.	118/503
D639,253	S *	6/2011	Tsai et al.	D13/182
7,980,611	B2 *	7/2011	Zenpo et al.	294/197

\* cited by examiner

*Primary Examiner* — Selina Sikder

(74) *Attorney, Agent, or Firm* — Burr & Brown

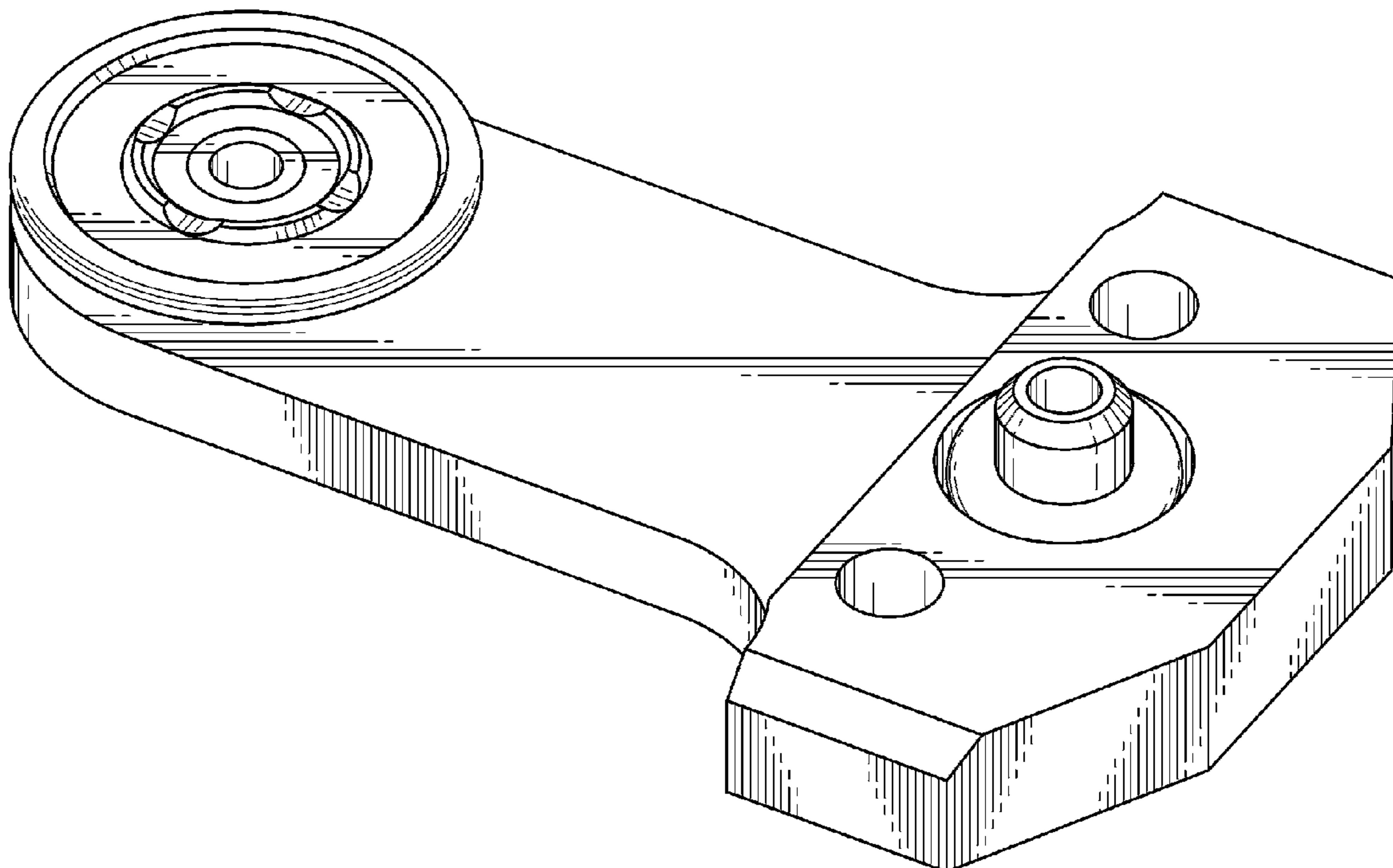
(57) **CLAIM**

The ornamental design for wafer holding member, as shown and described.

**DESCRIPTION**

FIG. 1 is front perspective view of a wafer holding member illustrating my new design;  
FIG. 2 is a top plan view thereof;  
FIG. 3 is a bottom view thereof;  
FIG. 4 is a front view thereof, the rear view being a mirror image;  
FIG. 5 is a left side view thereof;  
FIG. 6 is a right side view thereof;  
FIG. 7 is a sectional view taken along line 7-7 of FIG. 2; and,  
FIG. 8 is an enlarged view of portion 8 encircled in FIG. 7.

**1 Claim, 7 Drawing Sheets**



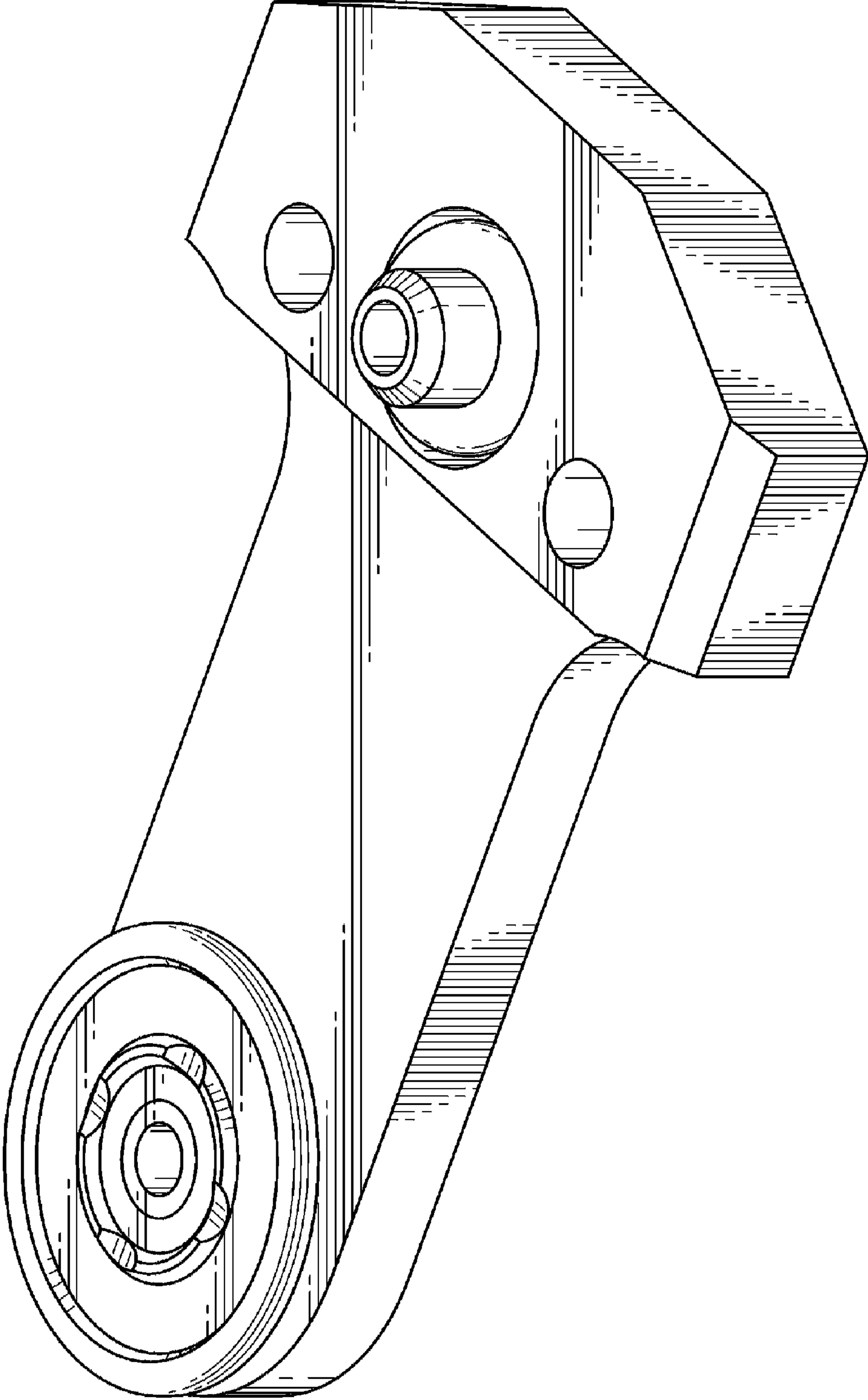


FIG. 1

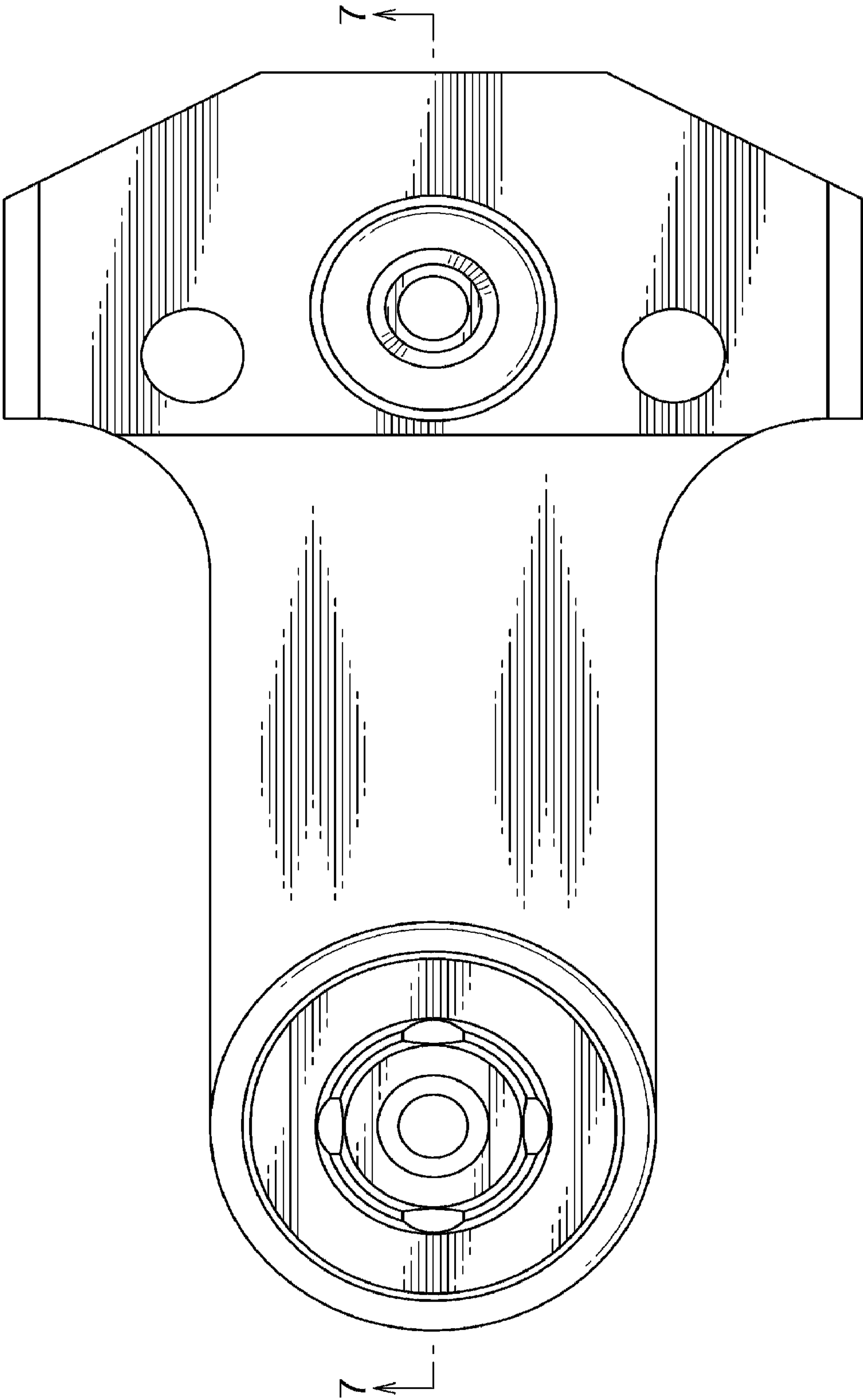


FIG. 2

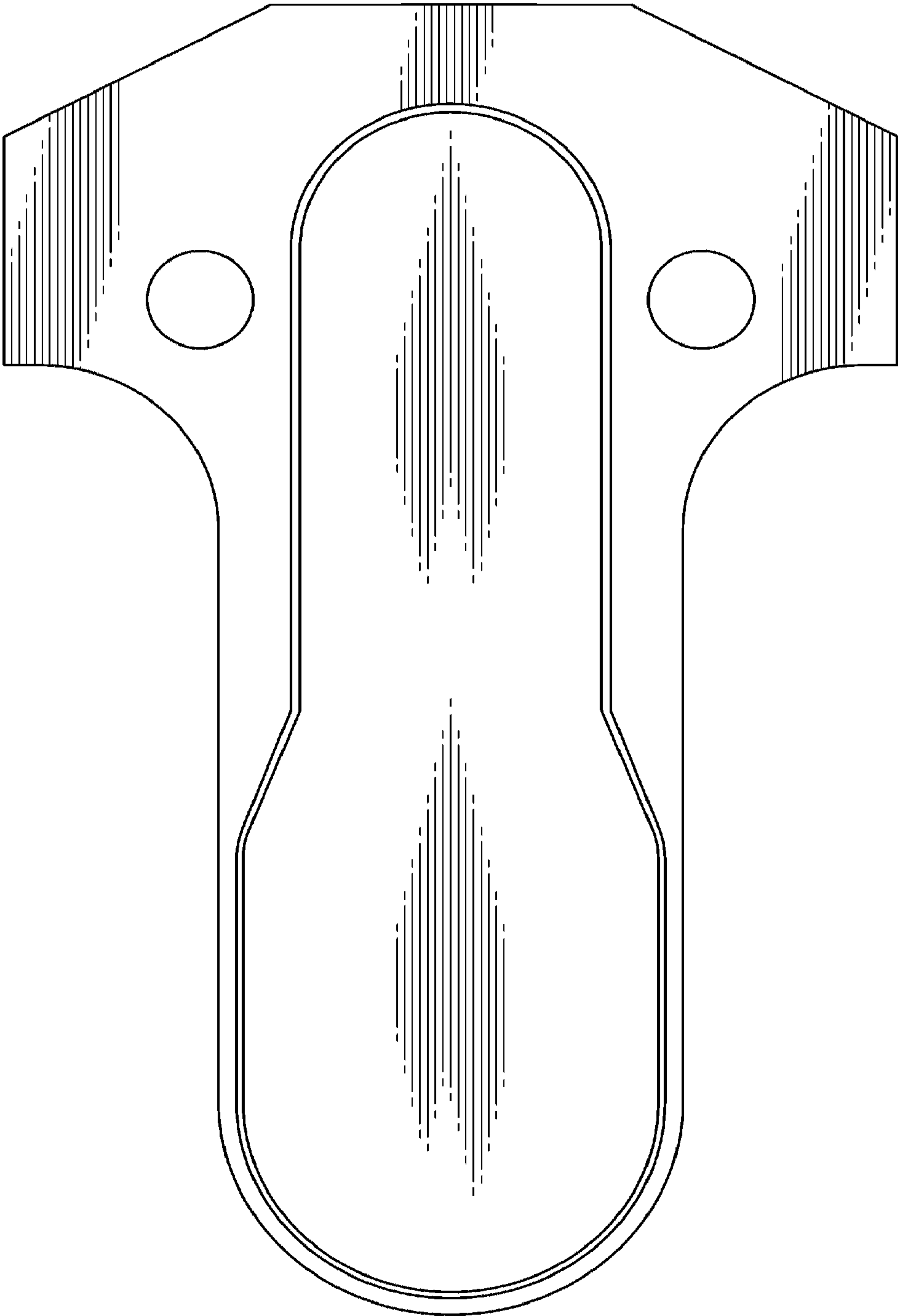


FIG. 3

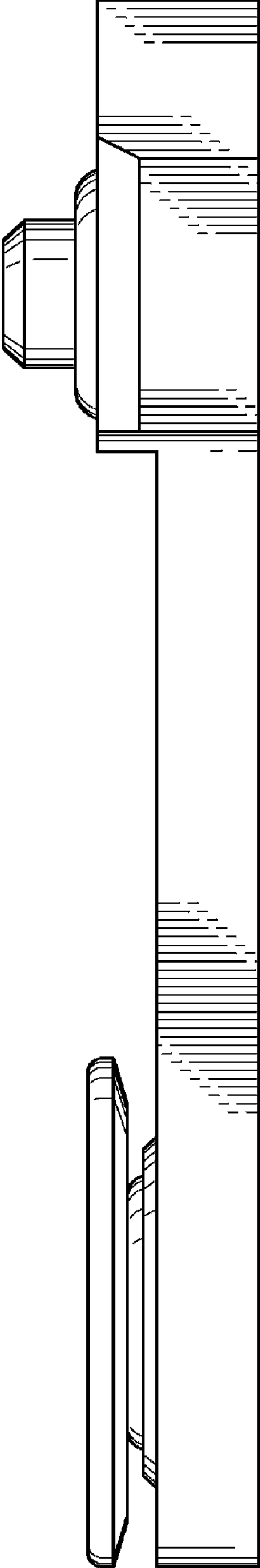


FIG. 4

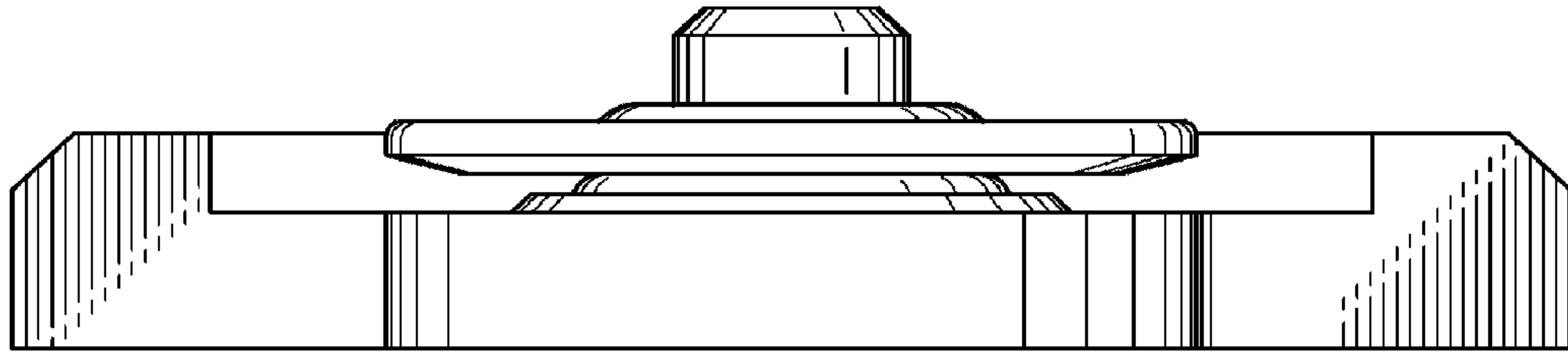


FIG. 5

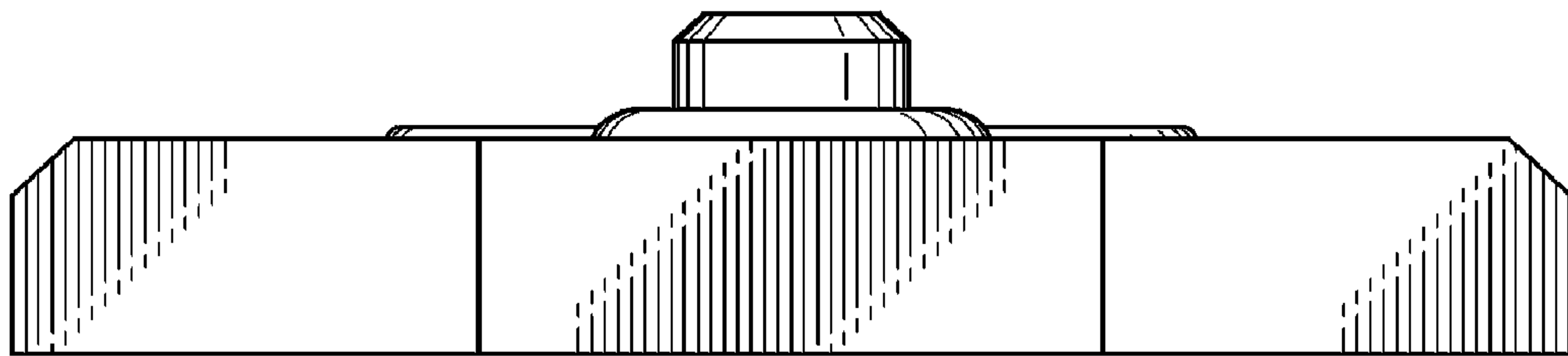


FIG. 6

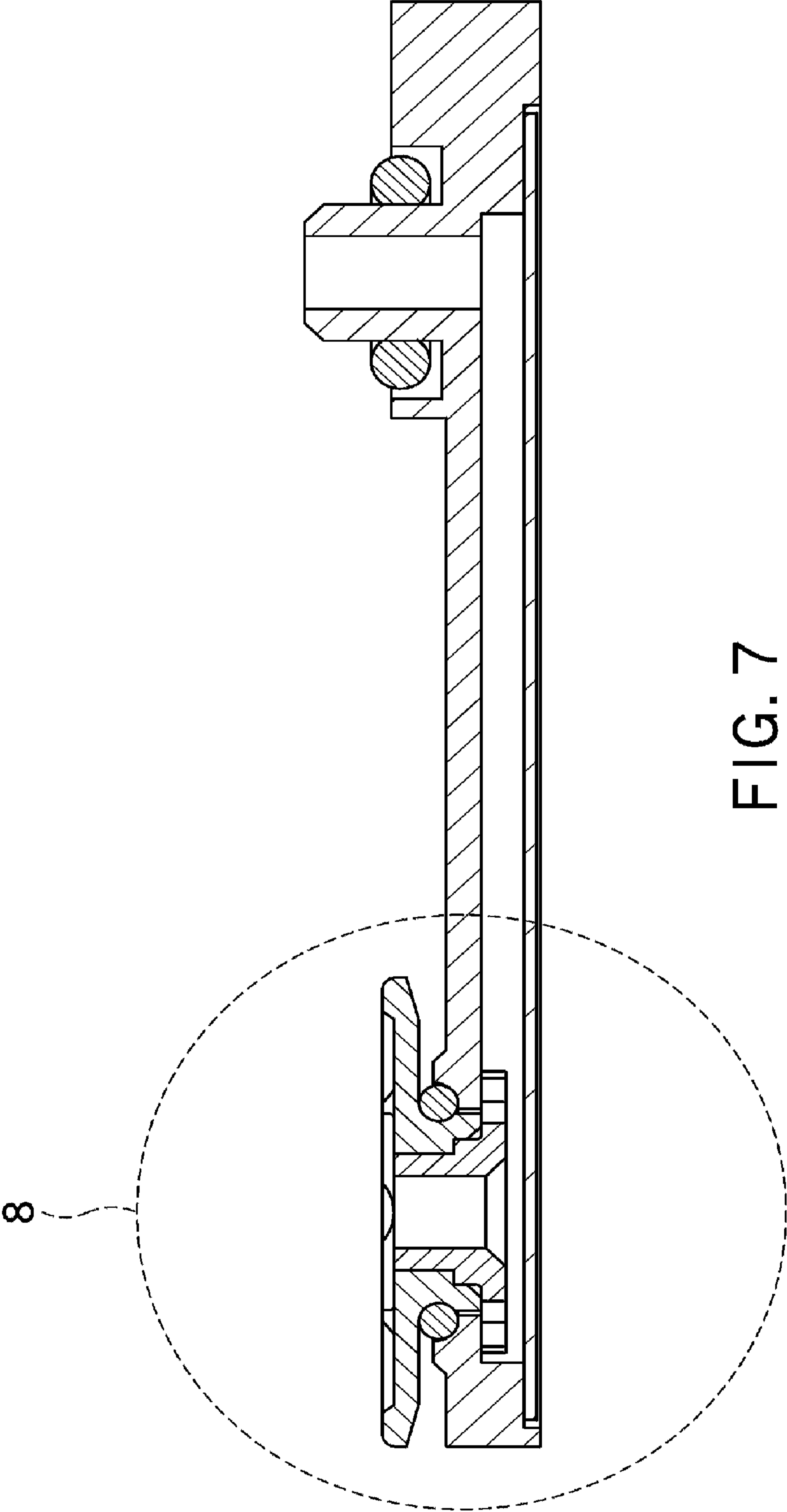


FIG. 7



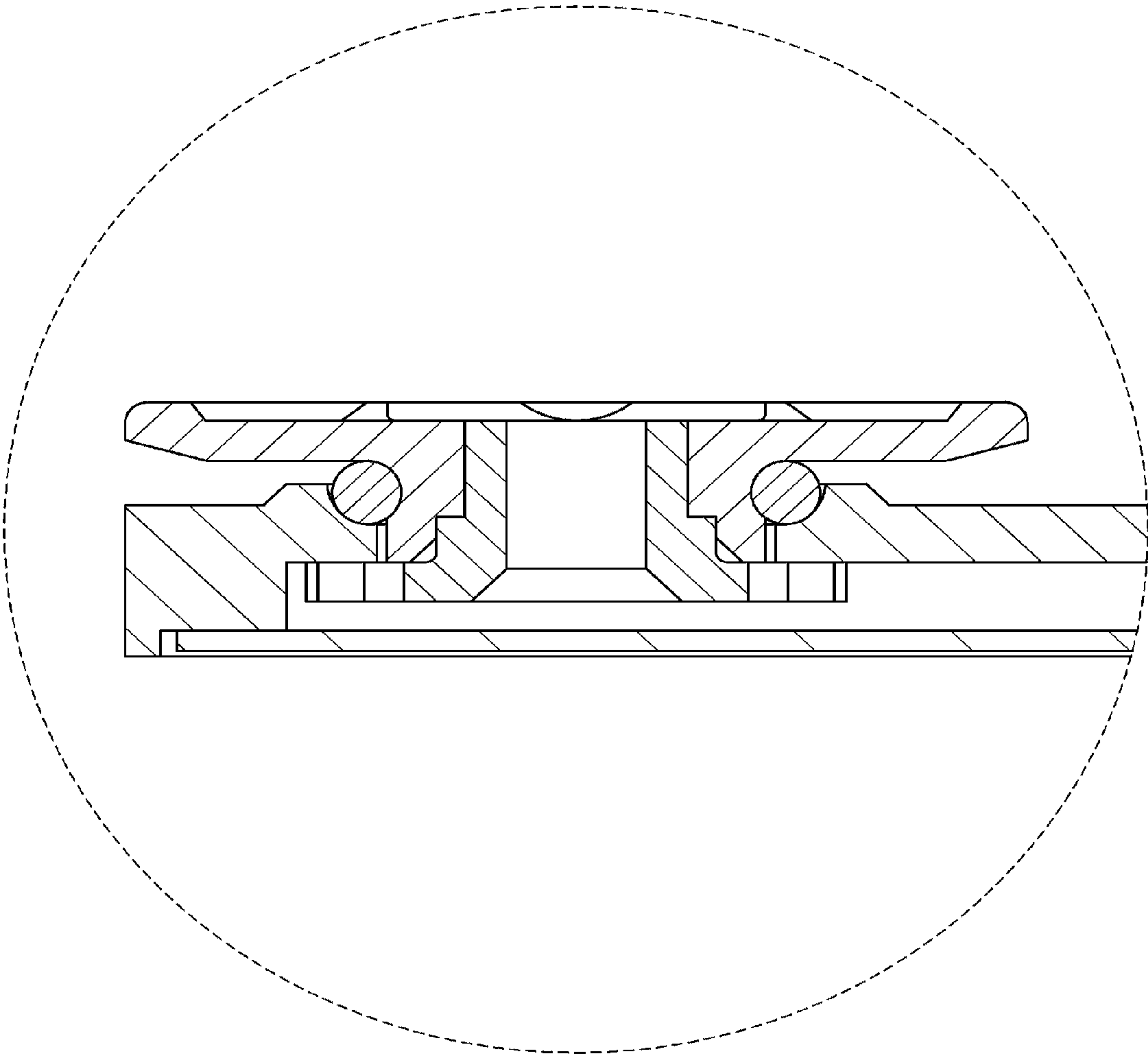


FIG. 8