



US00D674361S

(12) **United States Design Patent**
Lin et al.

(10) **Patent No.:** **US D674,361 S**
(45) **Date of Patent:** **** Jan. 15, 2013**

(54) **LED PACKAGE**

(75) Inventors: **Chen-Hsiu Lin**, New Taipei (TW);
Yi-Chien Chang, Taipei (TW)

(73) Assignees: **Silitek Electronic (Guangzhou) Co., Ltd.**, Guangzhou (CN); **Lite-On Technology Corporation**, Taipei (TW)

(**) Term: **14 Years**

(21) Appl. No.: **29/417,114**

(22) Filed: **Mar. 30, 2012**

(51) **LOC (9) Cl.** **13-03**

(52) **U.S. Cl.** **D13/180**

(58) **Field of Classification Search** D13/180;
D26/1, 2; 257/79, 80, 81, 88, 89, 95, 98,
257/99, 100, E33.058; 313/483, 498, 500;
362/555, 800

See application file for complete search history.

(56) **References Cited**

U.S. PATENT DOCUMENTS

6,707,069	B2 *	3/2004	Song et al.	257/79
D563,333	S *	3/2008	Kim	D13/180
D619,110	S *	7/2010	Lin et al.	D13/180
D622,677	S *	8/2010	Hsieh	D13/180
D624,885	S *	10/2010	Lin et al.	D13/180
D649,943	S *	12/2011	Kuwaharada et al.	D13/180
D664,938	S *	8/2012	Ying et al.	D13/180
2004/0041222	A1 *	3/2004	Loh	257/433
2007/0194336	A1 *	8/2007	Shin et al.	257/98

2009/0166655	A1 *	7/2009	Lin	257/98
2010/0307799	A1 *	12/2010	Chiang	174/255
2012/0104426	A1 *	5/2012	Chan et al.	257/89
2012/0132937	A1 *	5/2012	Chan et al.	257/89

* cited by examiner

Primary Examiner — Selina Sikder

(74) *Attorney, Agent, or Firm* — Li & Cai Intellectual Property (USA) Office

(57) **CLAIM**

The ornamental design for a “LED package,” as shown and described.

DESCRIPTION

FIG. 1 is a perspective view of a “LED package” showing my new design;

FIG. 2 is a front view thereof;

FIG. 3 is a rear view thereof;

FIG. 4 is a left side view thereof;

FIG. 5 is a right side view thereof;

FIG. 6 is a top view thereof;

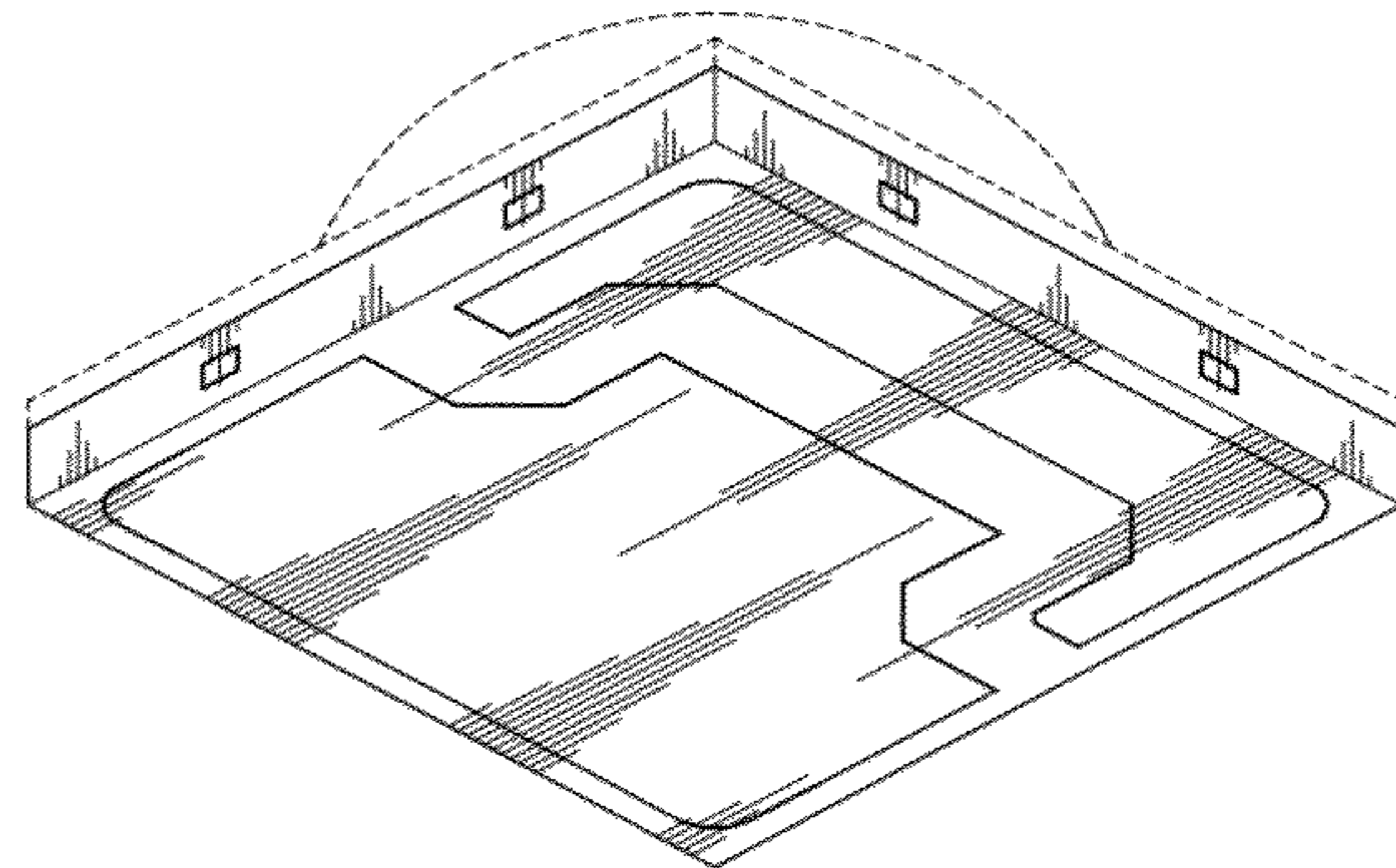
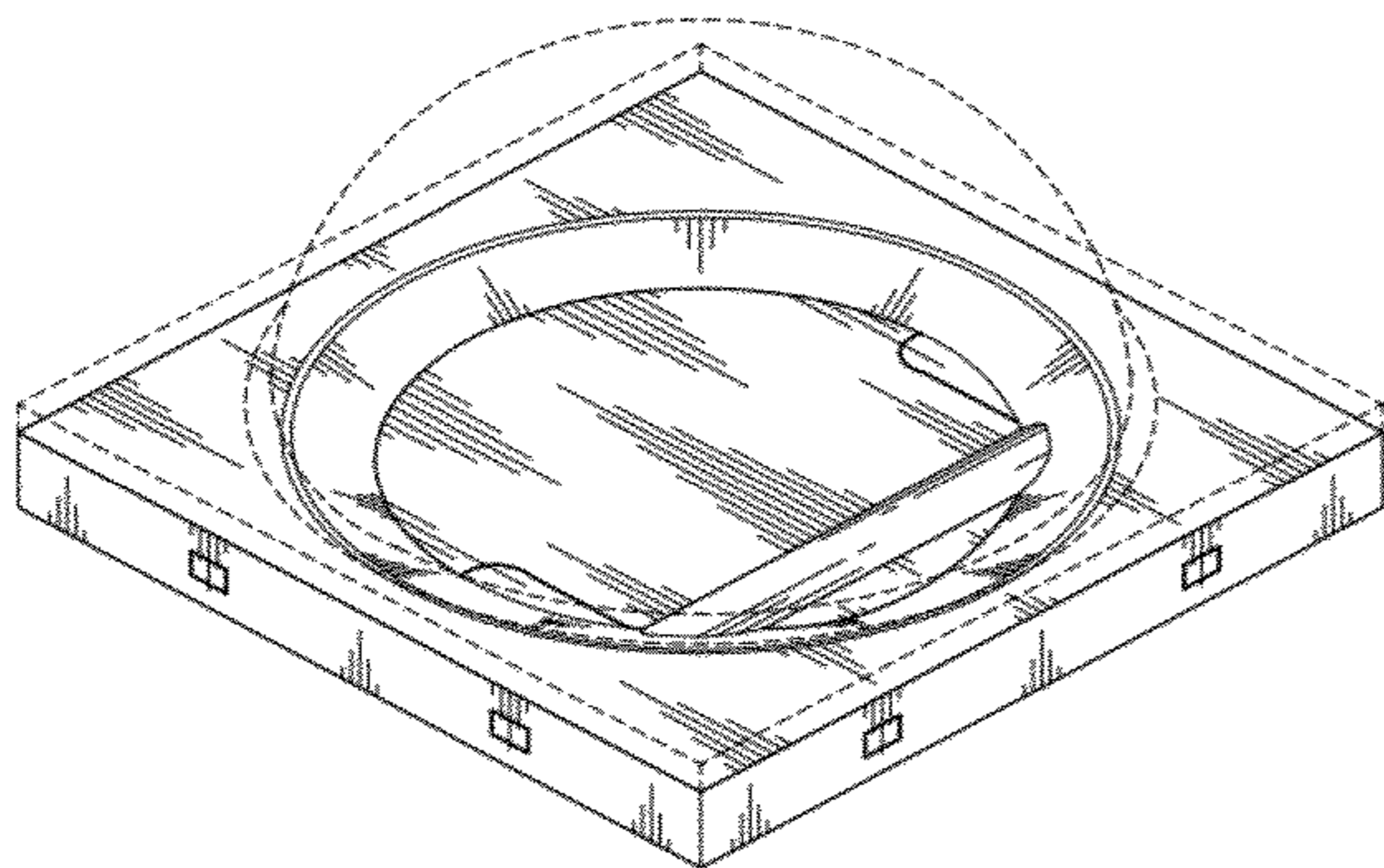
FIG. 7 is a bottom view thereof; and

FIG. 8 is a perspective view viewed from another visual angle thereof; and,

FIG. 9 is a perspective view with a LED chip showing the practical usage thereof.

The dashed lines in the drawings are for illustrative purpose only and form no part of the claimed design.

1 Claim, 5 Drawing Sheets



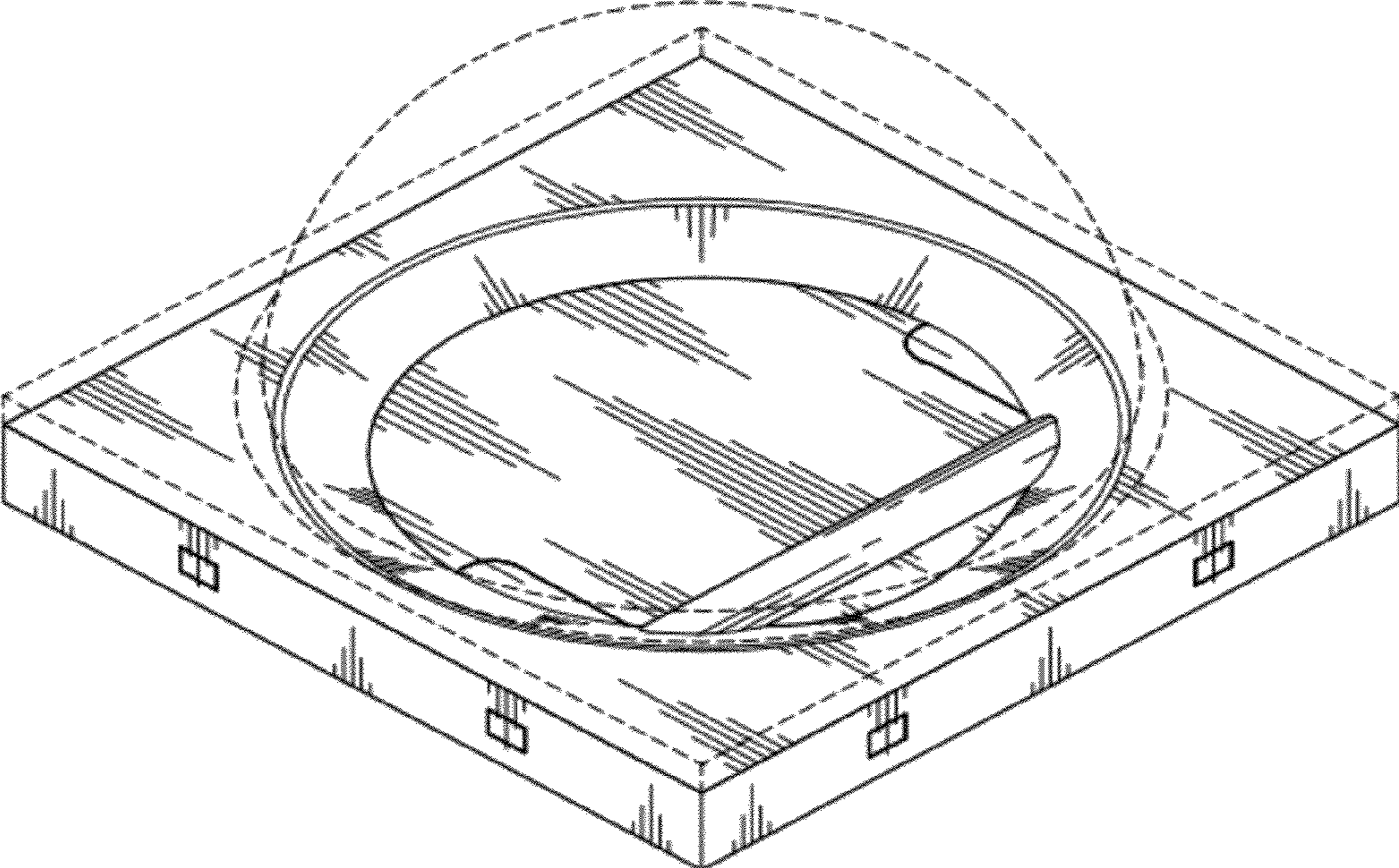


FIG. 1

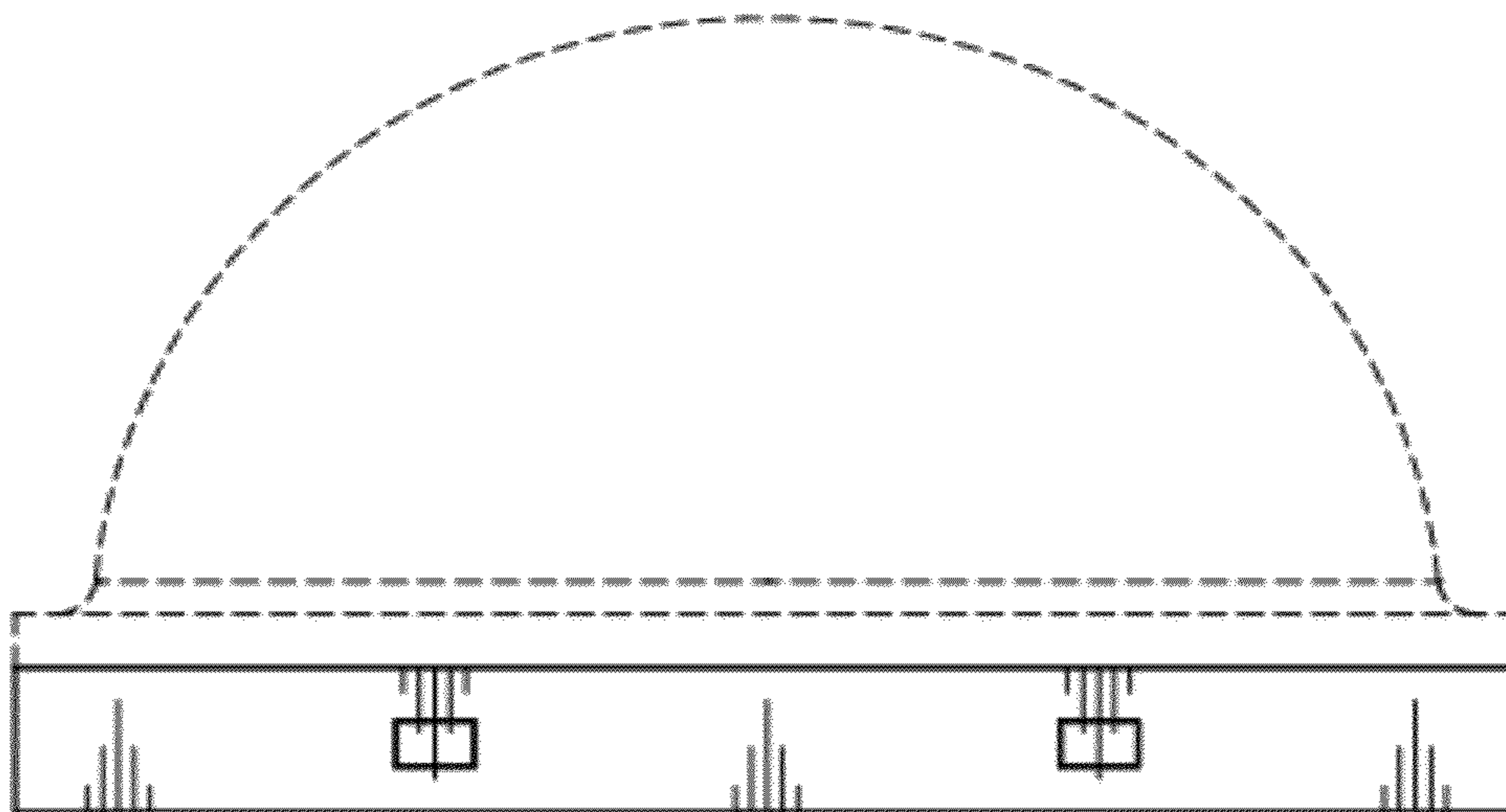


FIG. 2

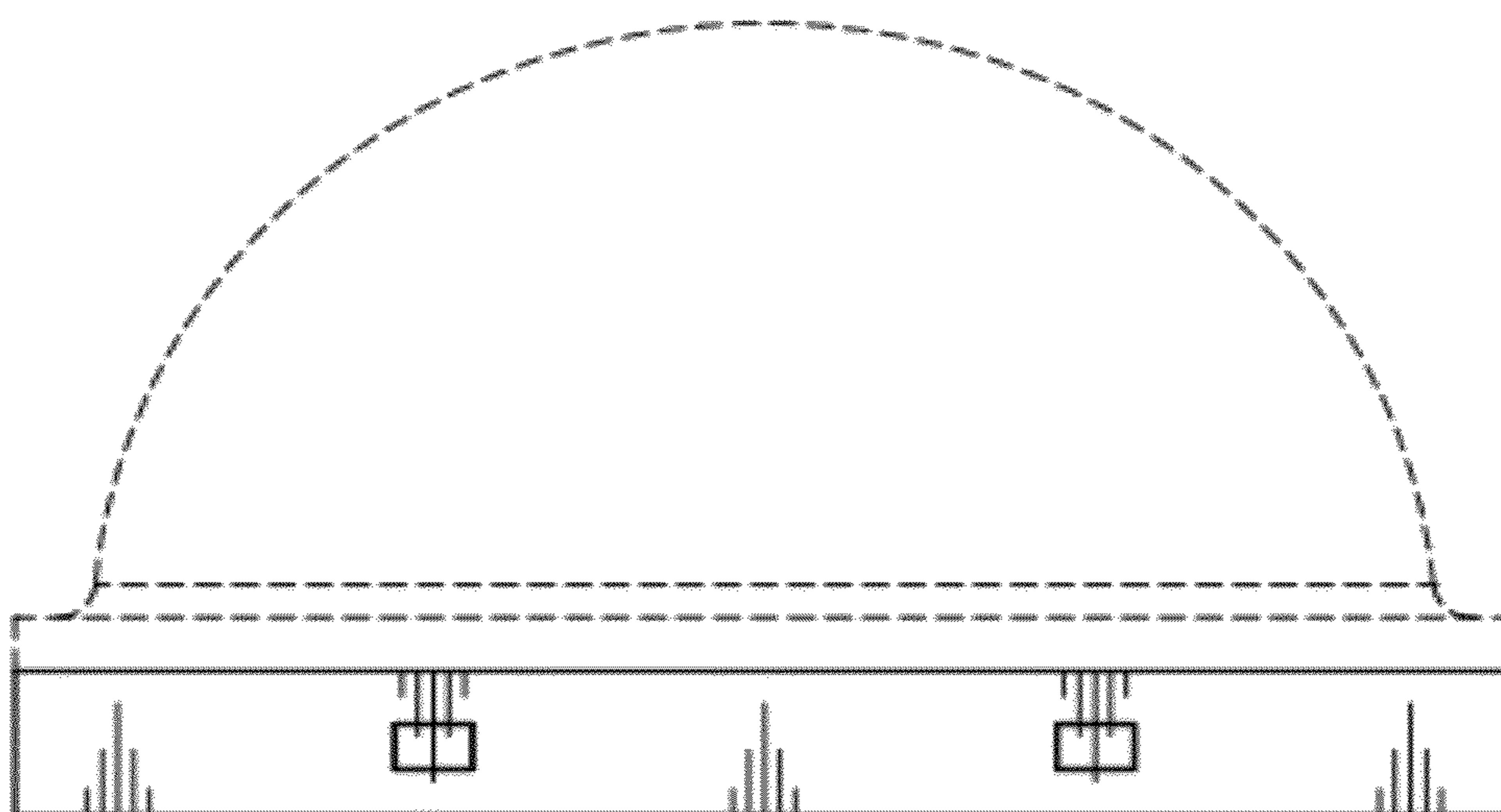


FIG. 3

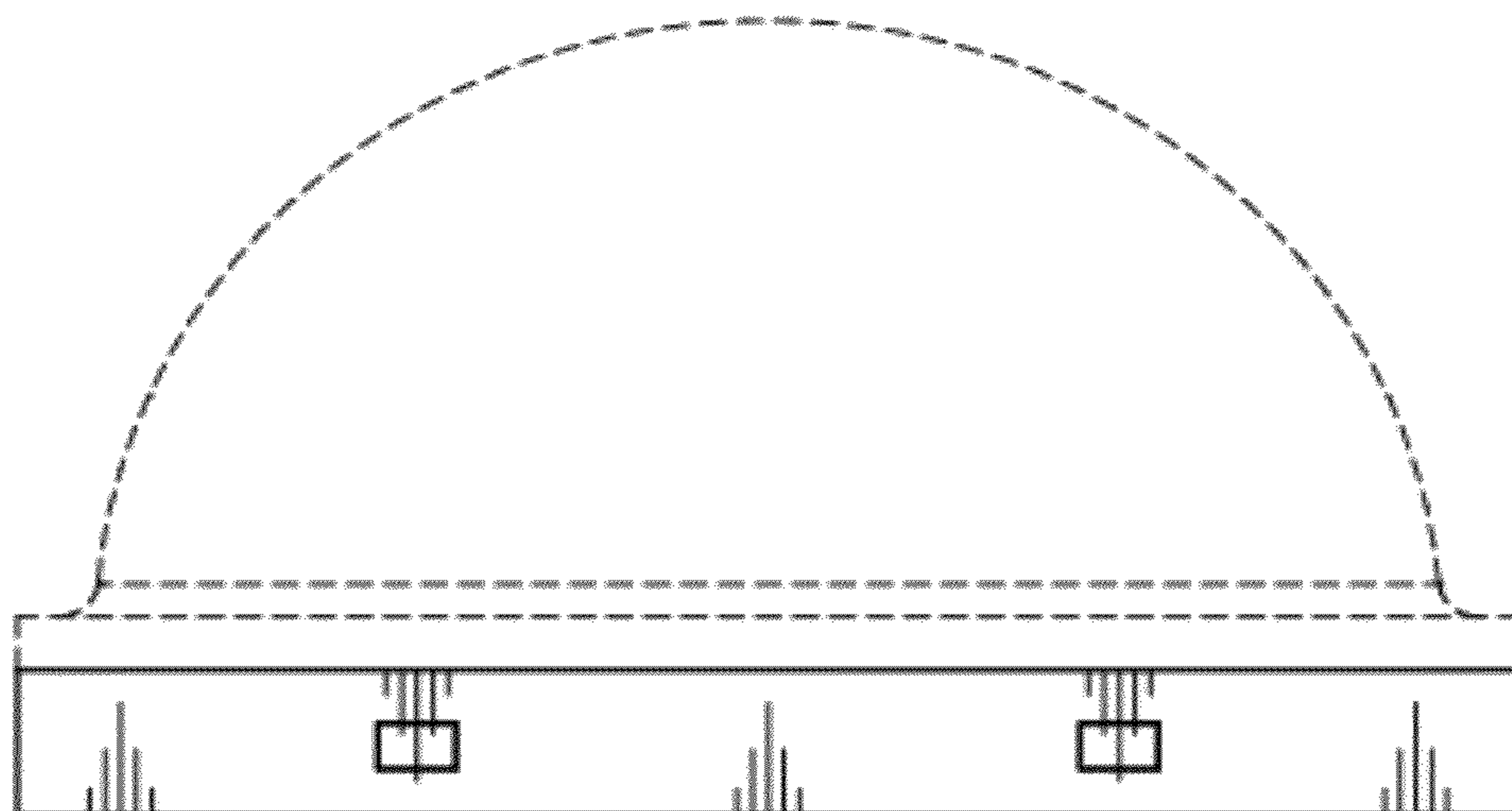


FIG. 4

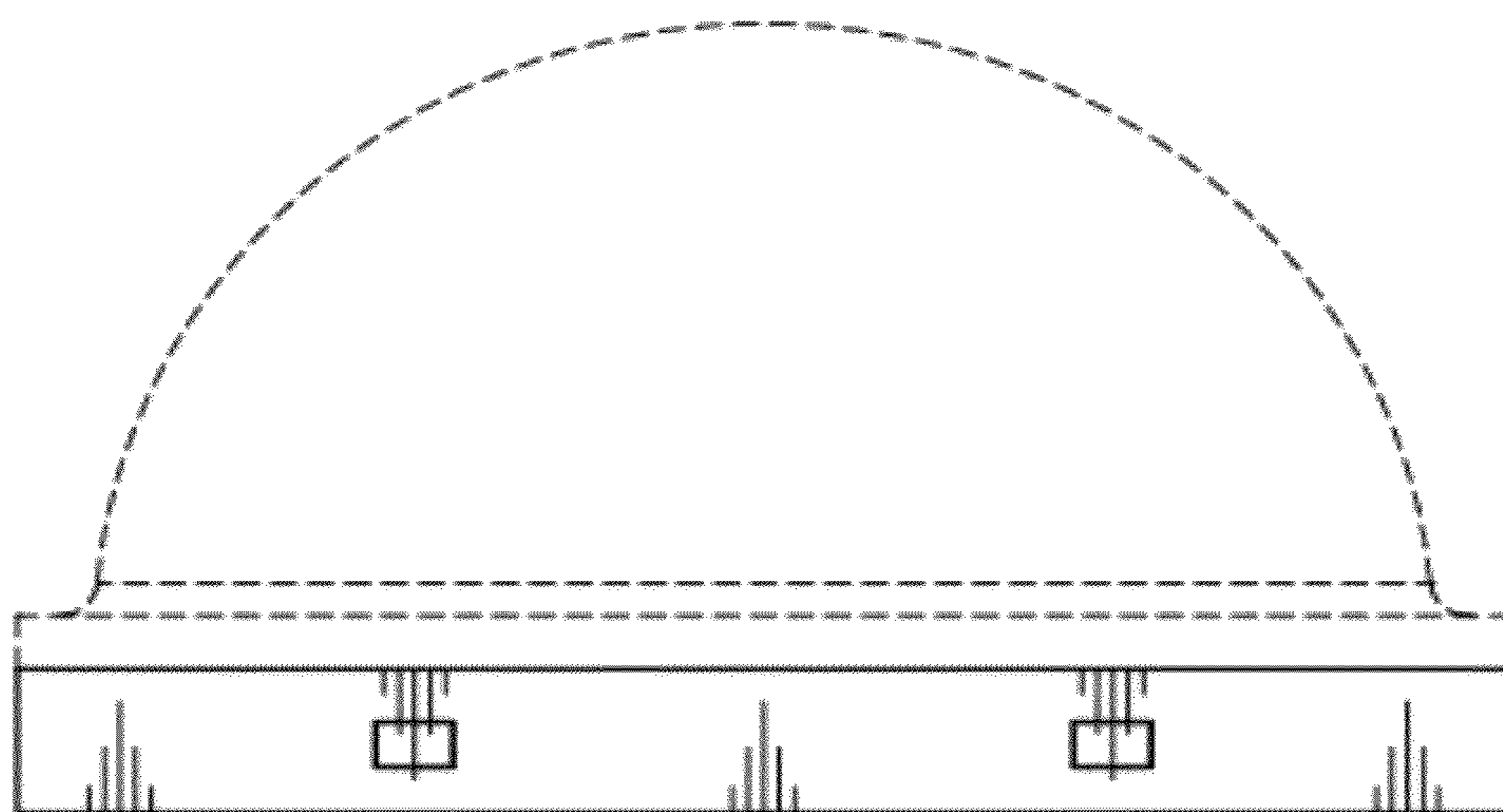


FIG. 5

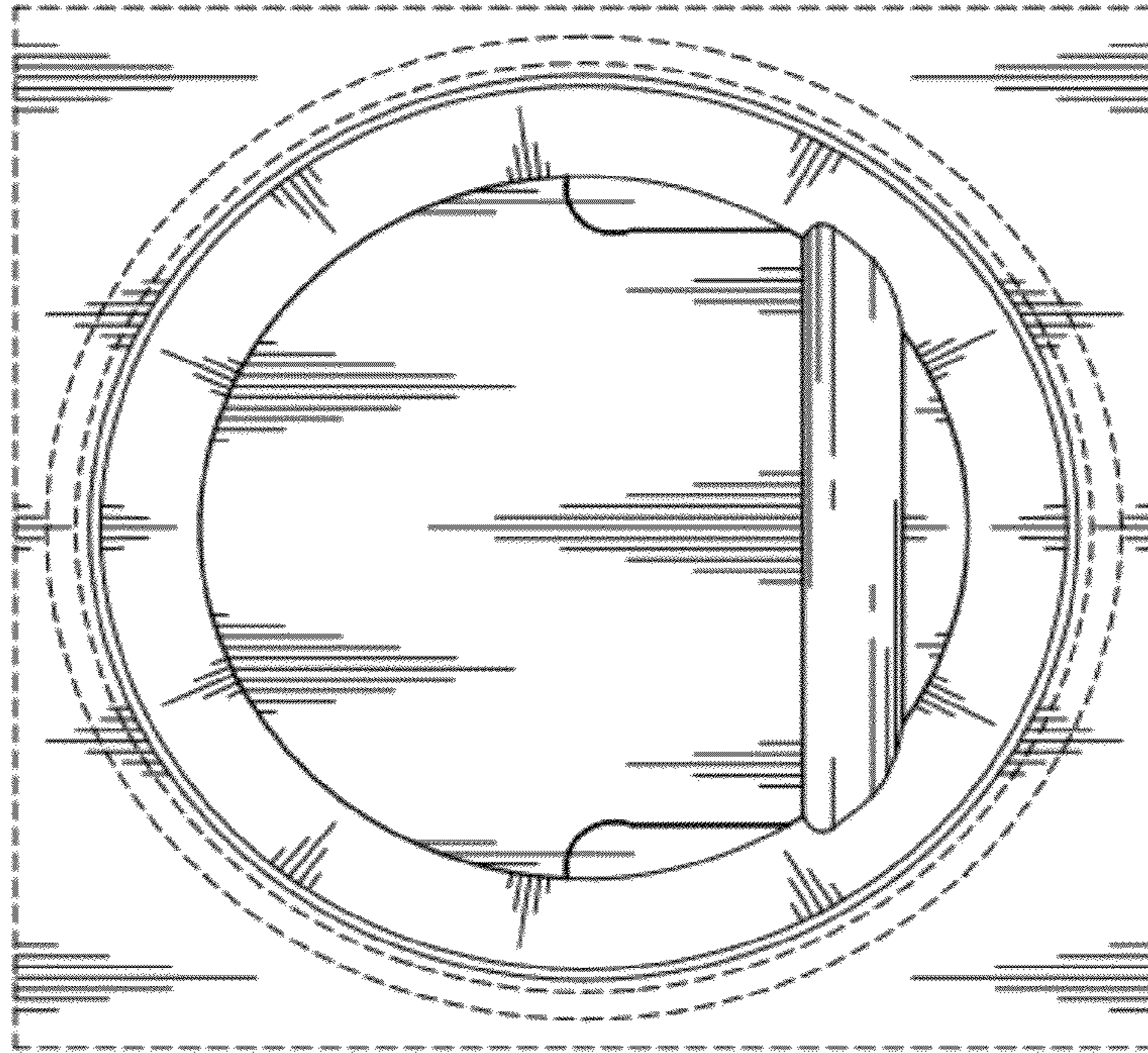


FIG. 6

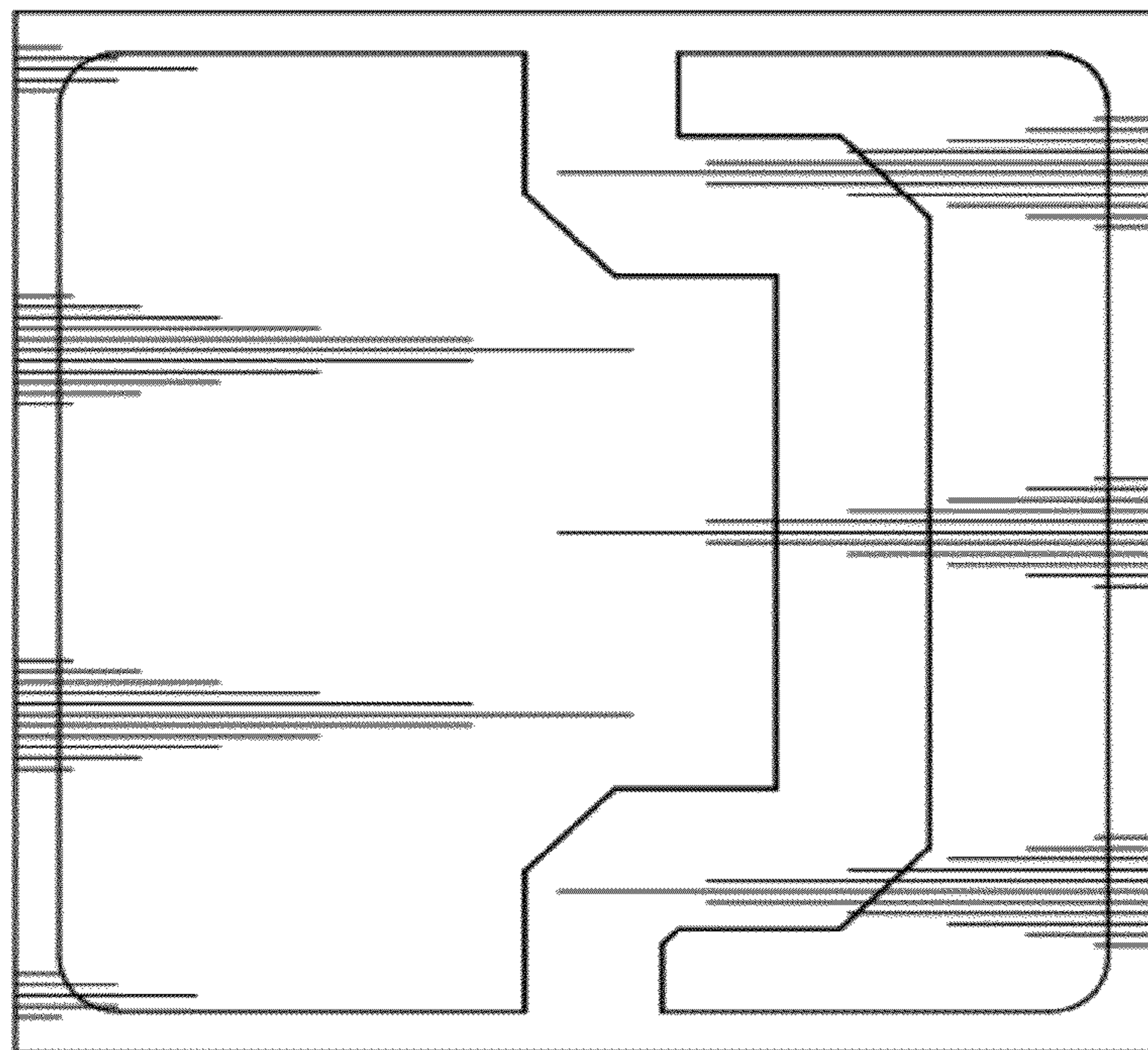


FIG. 7

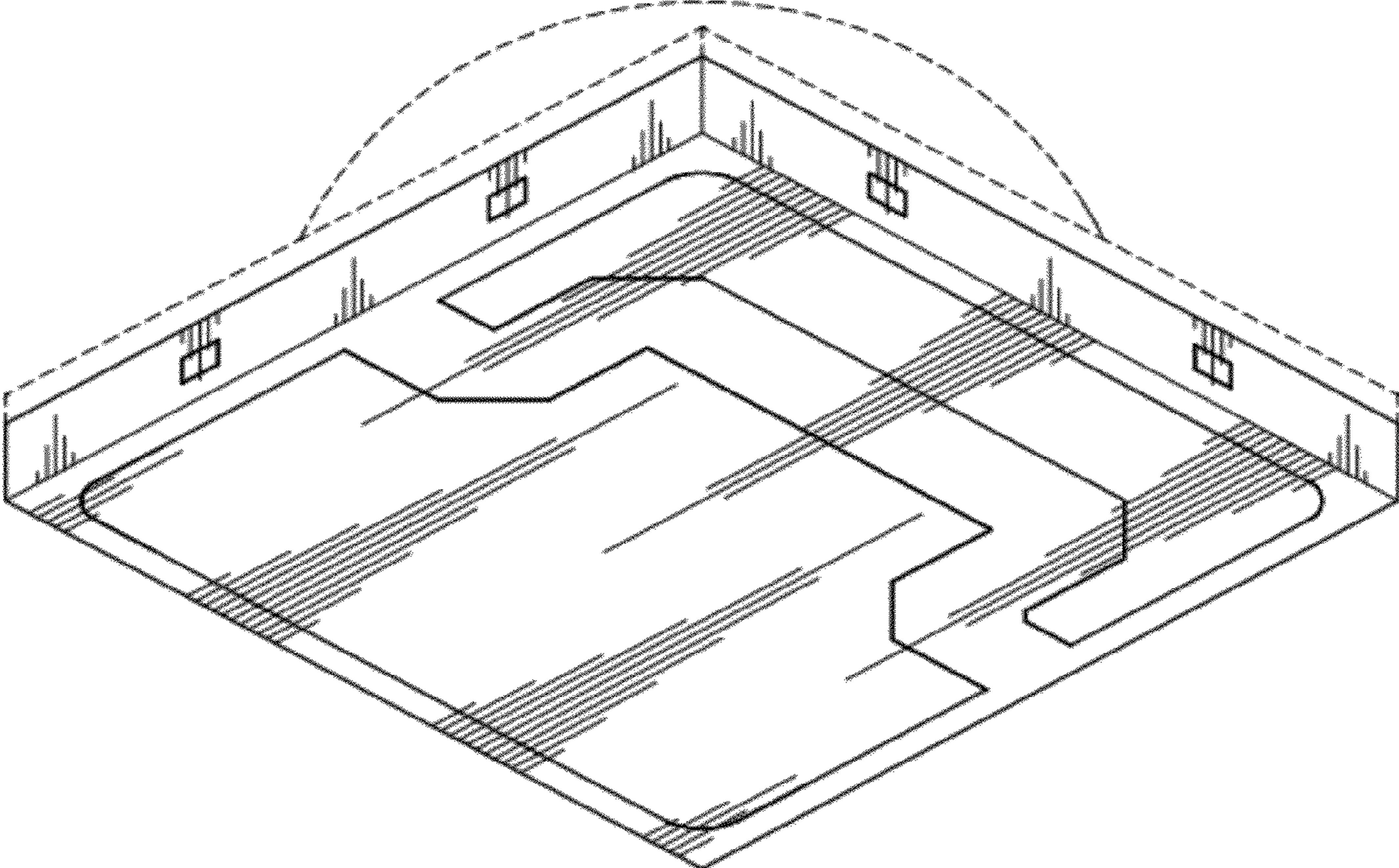


FIG. 8

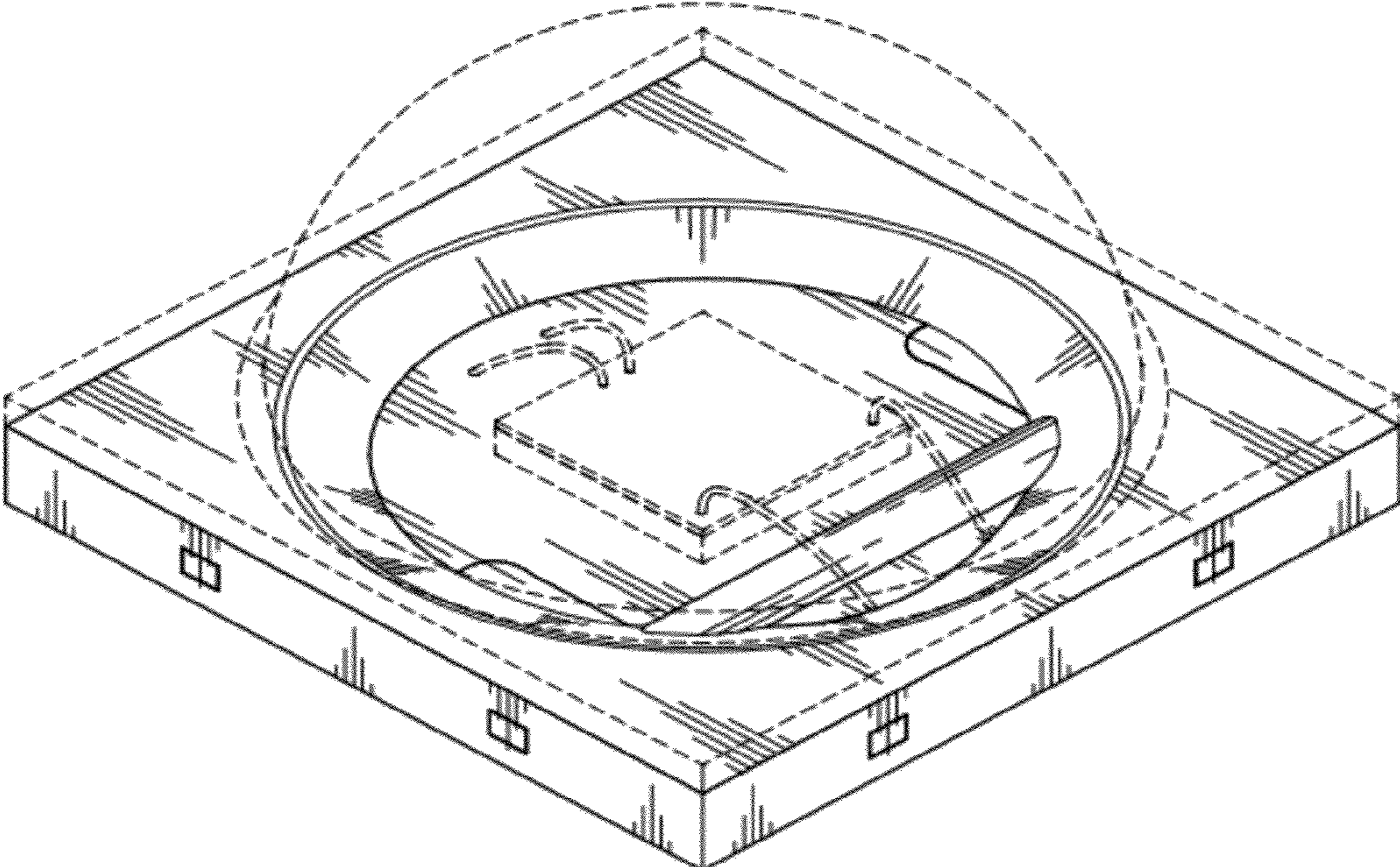


FIG. 9