



US00D674357S

(12) **United States Design Patent**
Lin et al.

(10) **Patent No.:** **US D674,357 S**

(45) **Date of Patent:** **** Jan. 15, 2013**

(54) **LED PACKAGE**

(75) Inventors: **Chen-Hsiu Lin**, New Taipei (TW);
Yi-Chien Chang, Taipei (TW)

(73) Assignees: **Silitek Electronic (Guangzhou) Co., Ltd.**, Guangzhou (CN); **Lite-On Technology Corporation**, Taipei (TW)

(**) Term: **14 Years**

(21) Appl. No.: **29/417,100**

(22) Filed: **Mar. 30, 2012**

(51) **LOC (9) Cl.** **13-03**

(52) **U.S. Cl.** **D13/180**

(58) **Field of Classification Search** D13/180;
D26/1, 2; 257/79, 80, 81, 88, 89, 95, 98,
257/99, 100, E33.058; 313/483, 498, 500;
362/555, 800

See application file for complete search history.

(56) **References Cited**

U.S. PATENT DOCUMENTS

D624,032 S *	9/2010	Takeuchi et al.	D13/180
D637,565 S *	5/2011	Wu et al.	D13/180
D644,190 S *	8/2011	Shimizu et al.	D13/180
D644,191 S *	8/2011	Shimizu et al.	D13/180
D646,643 S *	10/2011	Wu et al.	D13/180
8,044,424 B2 *	10/2011	Urano et al.	257/98
D649,943 S *	12/2011	Kuwaharada et al.	D13/180
D650,343 S *	12/2011	Andrews et al.	D13/180
D658,139 S *	4/2012	Andrews et al.	D13/180
2009/0108281 A1 *	4/2009	Keller et al.	257/98
2010/0117099 A1 *	5/2010	Leung	257/88
2010/0123144 A1 *	5/2010	Chao	257/88

2011/0062482 A1 *	3/2011	Solomensky et al.	257/99
2011/0210346 A1 *	9/2011	Chen et al.	257/88
2011/0220920 A1 *	9/2011	Collins et al.	257/88
2011/0227105 A1 *	9/2011	Hwu et al.	257/91
2011/0248289 A1 *	10/2011	Hsieh et al.	257/88
2012/0068198 A1 *	3/2012	Andrews et al.	257/88
2012/0074443 A1 *	3/2012	Li et al.	257/98
2012/0086024 A1 *	4/2012	Andrews et al.	257/88
2012/0193651 A1 *	8/2012	Edmond et al.	257/88
2012/0193659 A1 *	8/2012	Andrews et al.	257/98

* cited by examiner

Primary Examiner — Selina Sikder

(74) *Attorney, Agent, or Firm* — Li & Cai Intellectual Property (USA) Office

(57) **CLAIM**

The ornamental design for a “LED package,” as shown and described.

DESCRIPTION

FIG. 1 is a perspective view of a “LED package” showing my new design;

FIG. 2 is a front view thereof;

FIG. 3 is a rear view thereof;

FIG. 4 is a left side view thereof;

FIG. 5 is a right side view thereof;

FIG. 6 is a top view thereof;

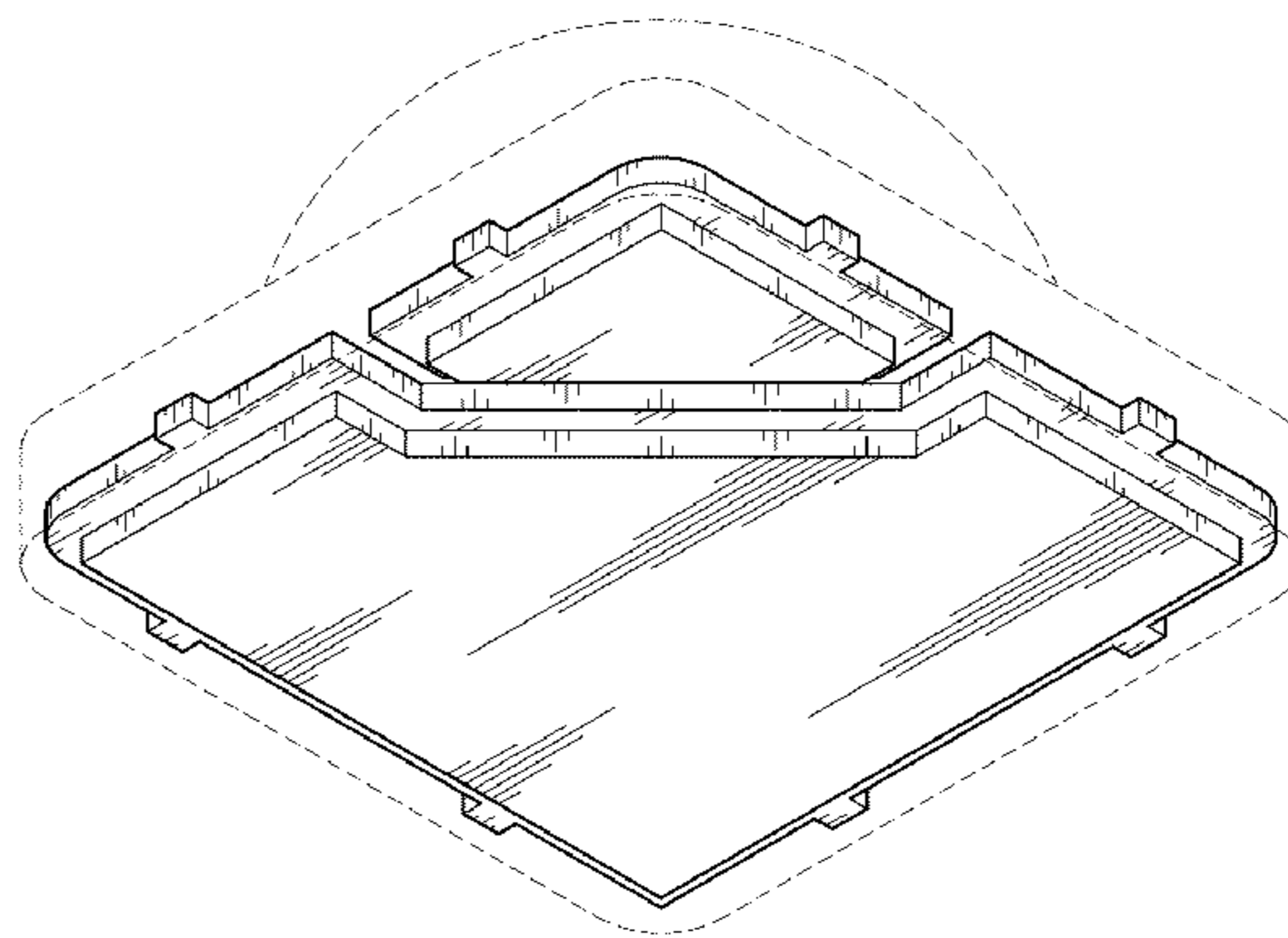
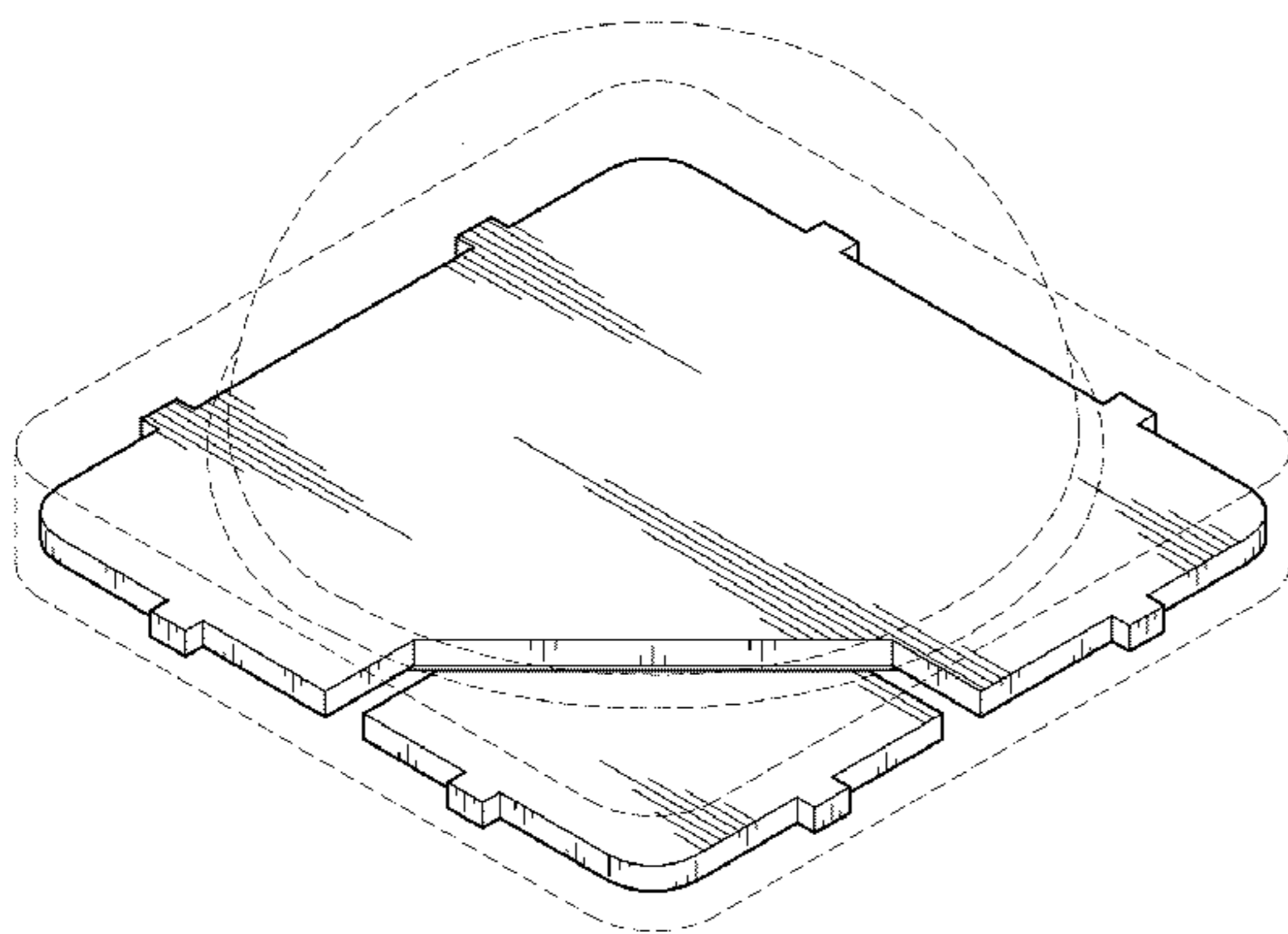
FIG. 7 is a bottom view thereof;

FIG. 8 is a perspective view viewed from another visual angle thereof; and,

FIG. 9 is a perspective view with a LED chip showing the practical usage thereof.

The dashed lines in the drawings are for illustrative purpose only and form no part of the claimed design.

1 Claim, 5 Drawing Sheets



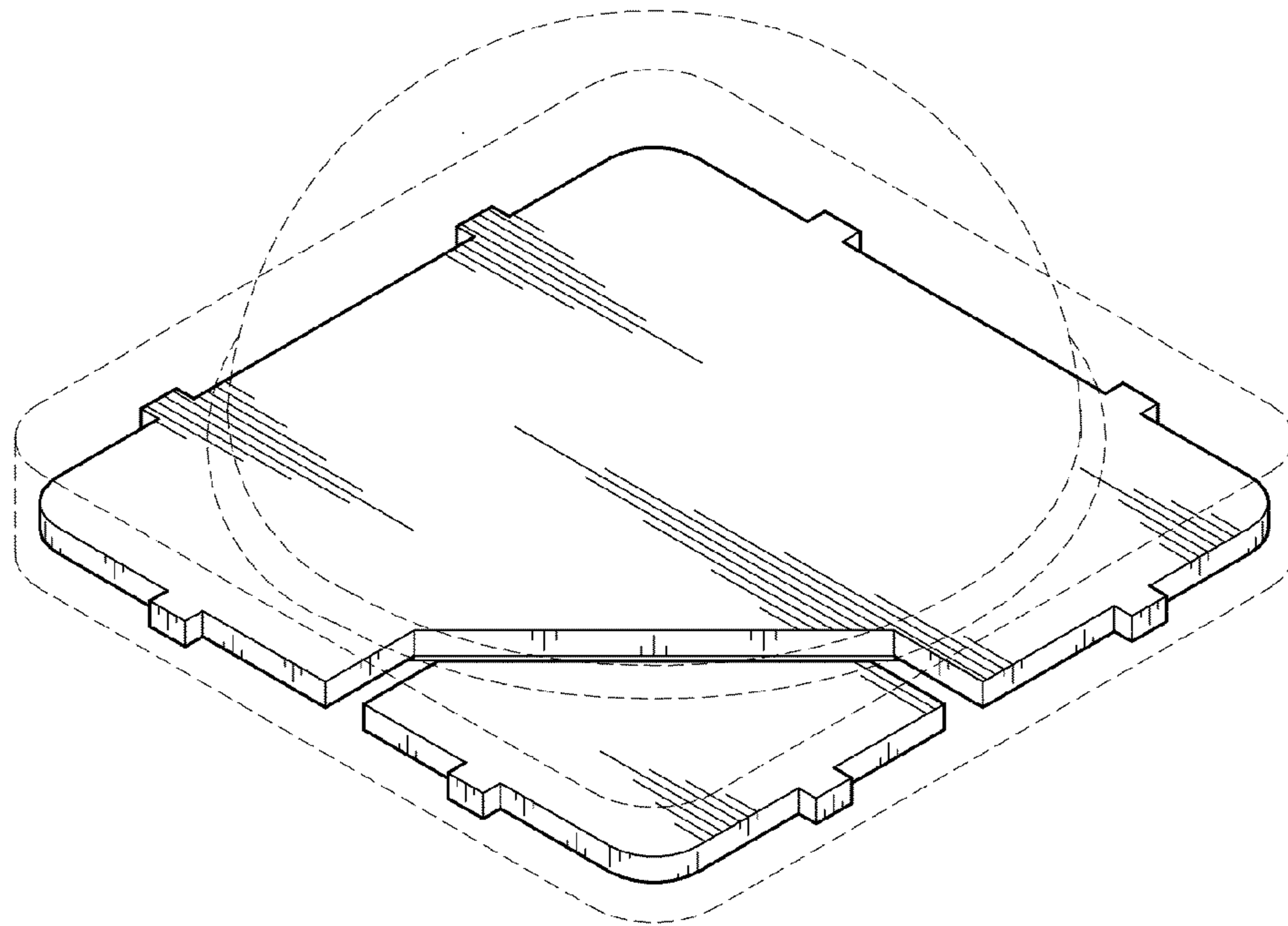


FIG. 1

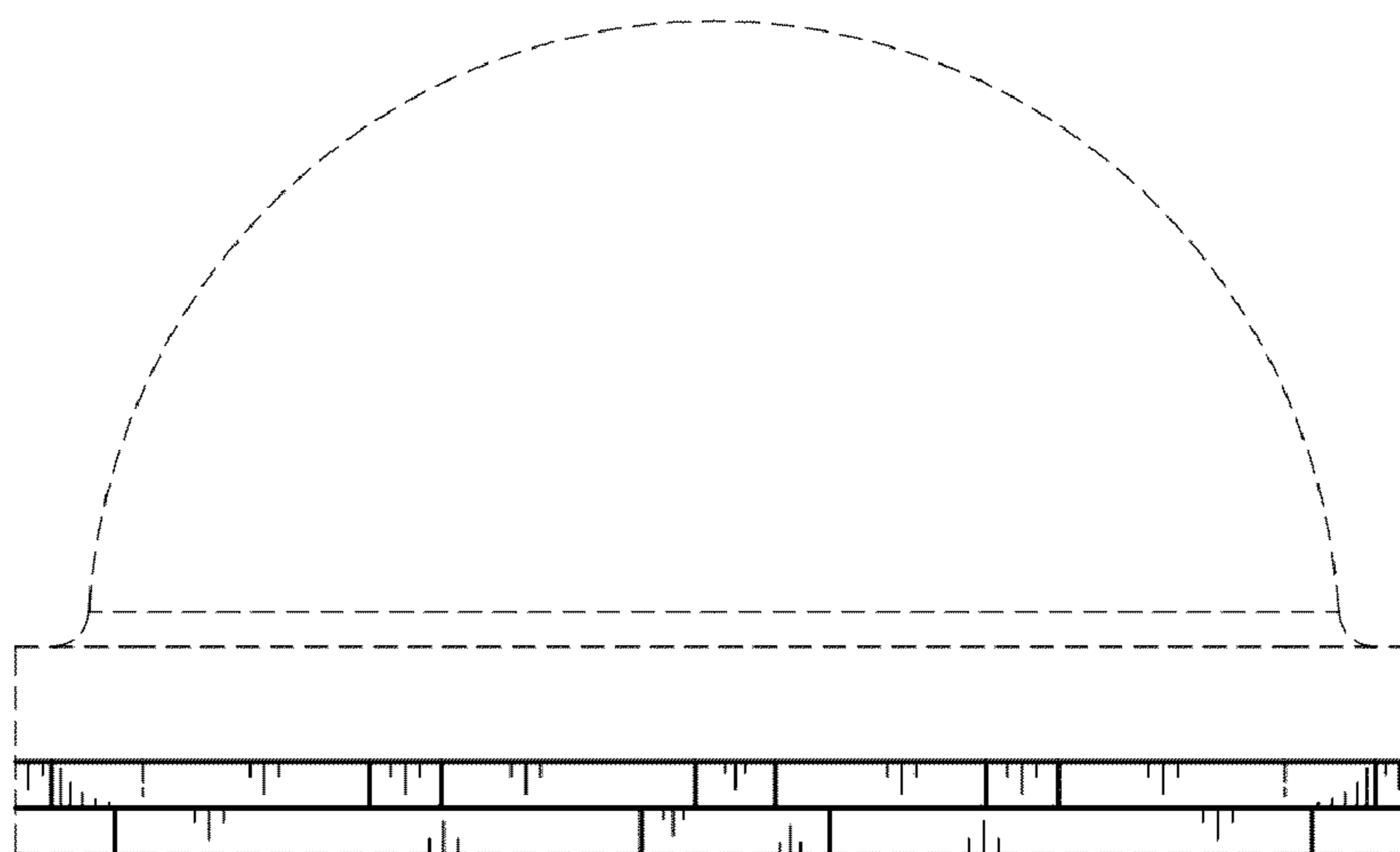


FIG. 2

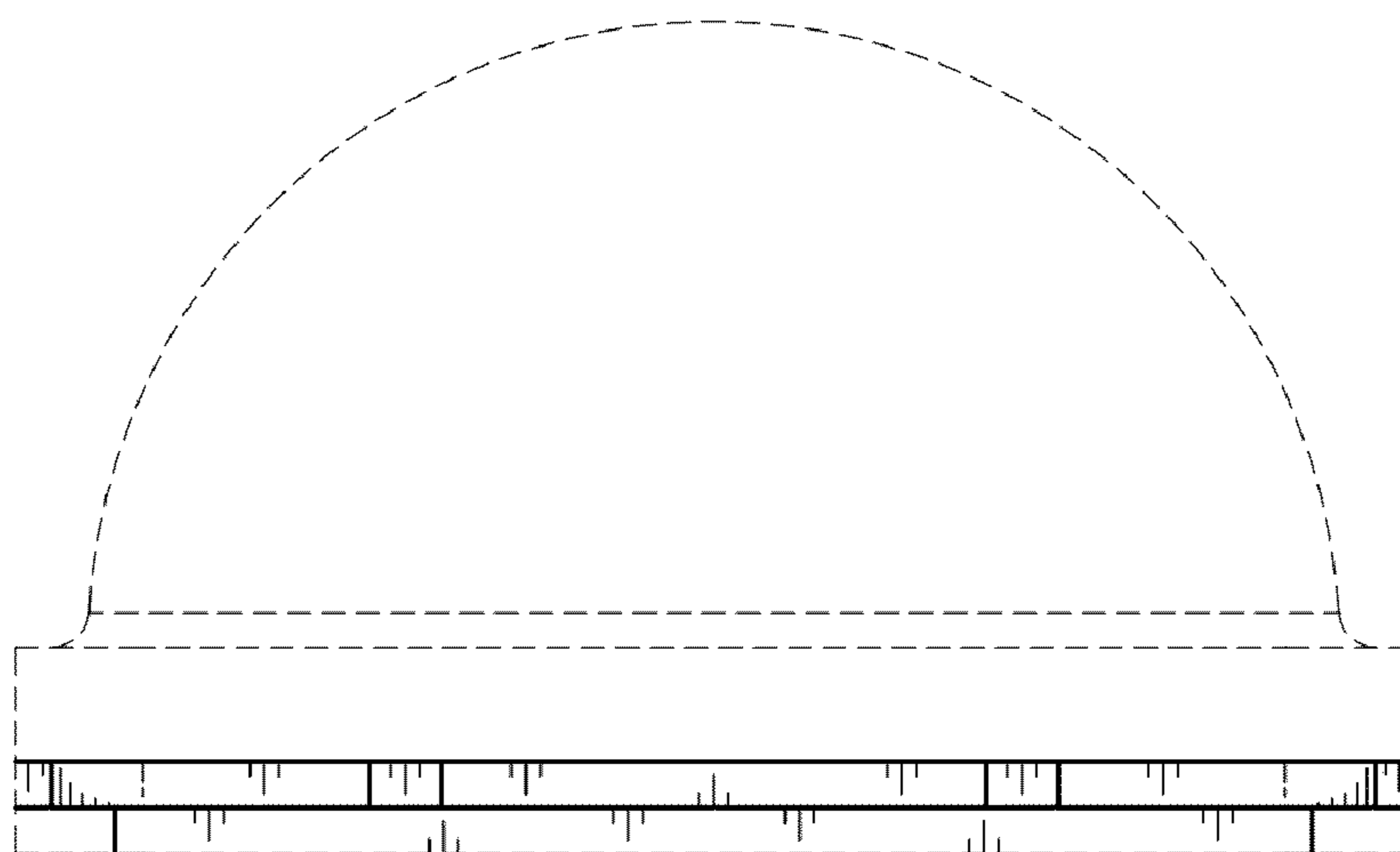


FIG. 3

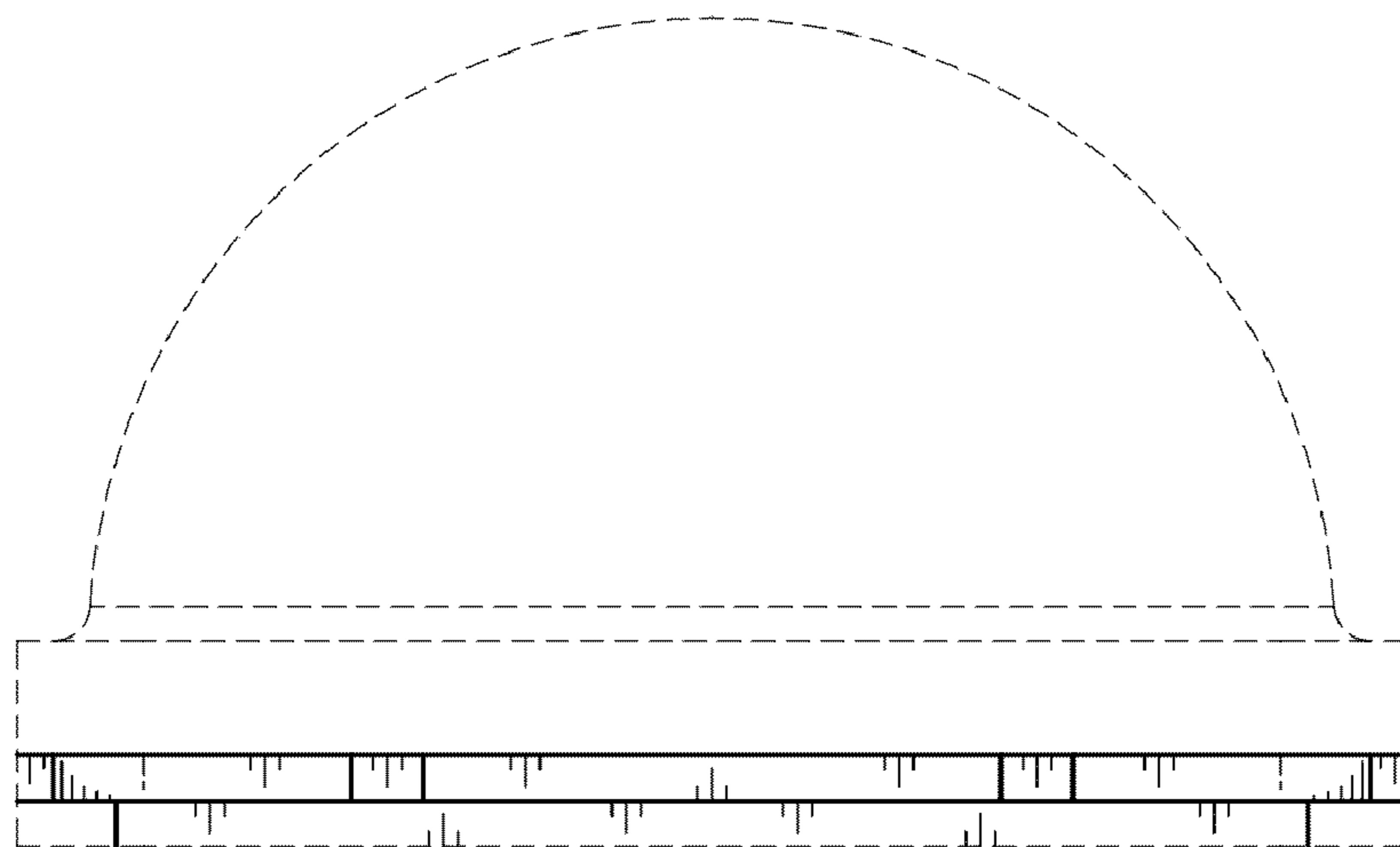


FIG. 4

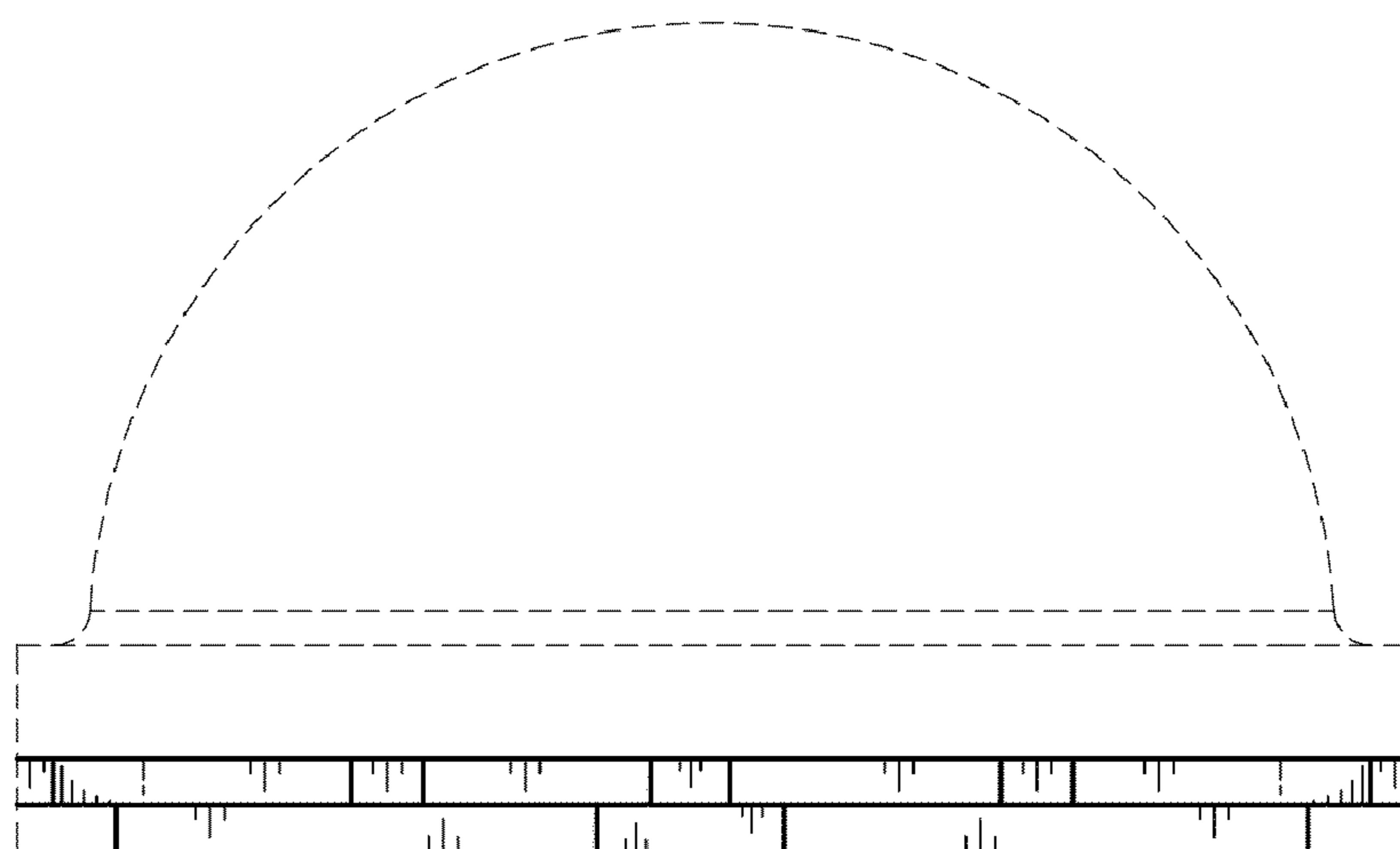


FIG. 5

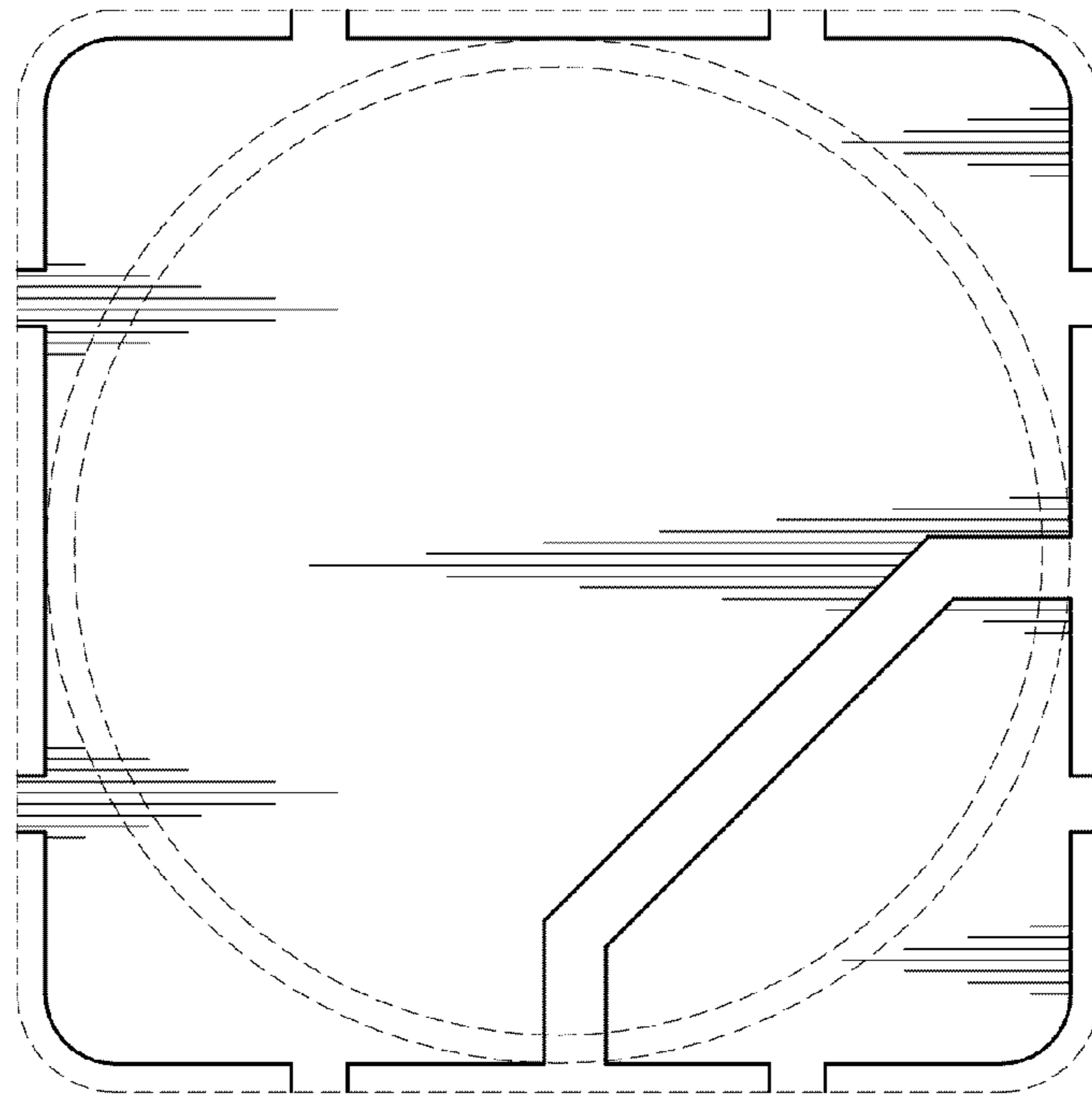


FIG. 6

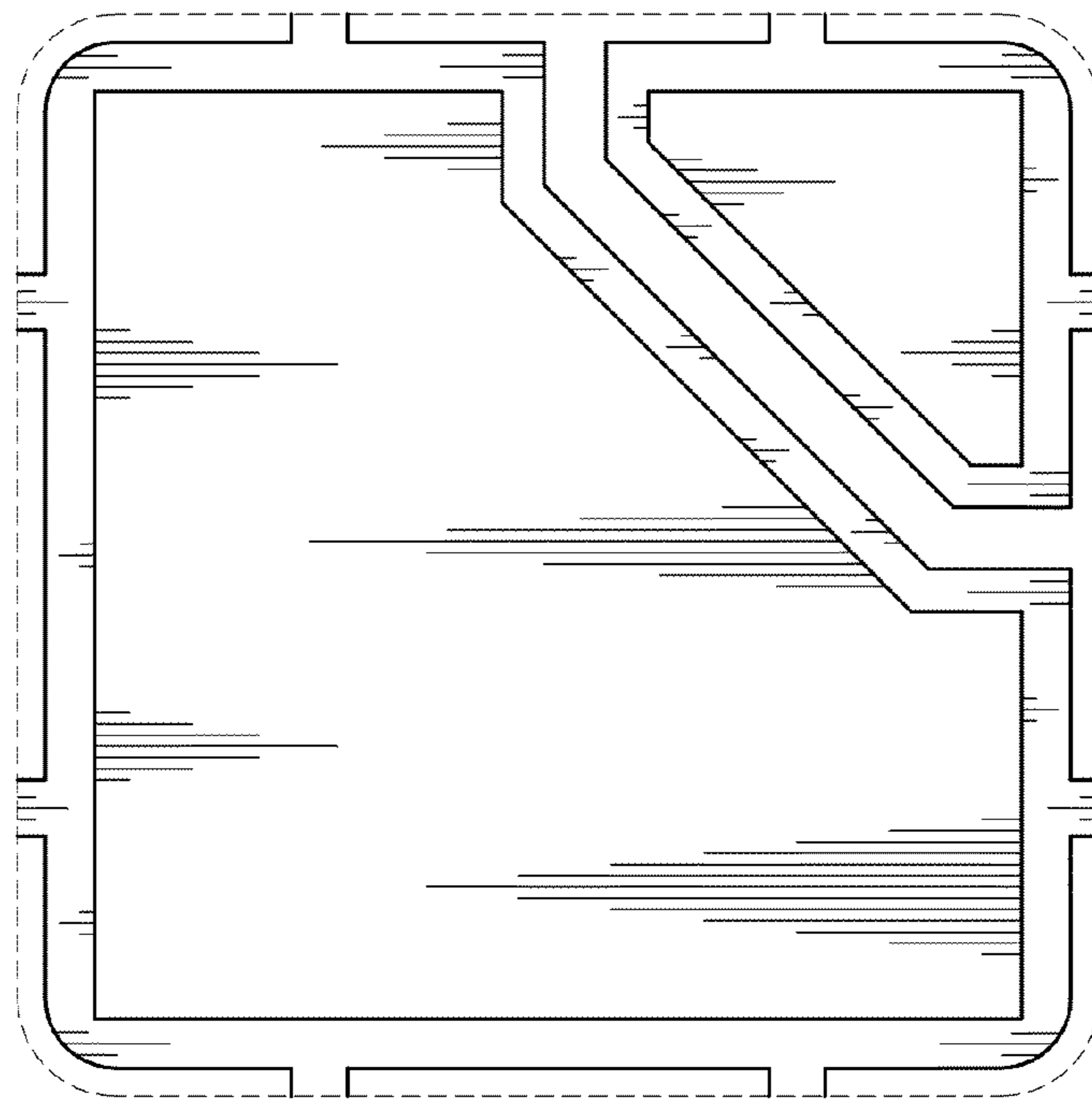


FIG. 7

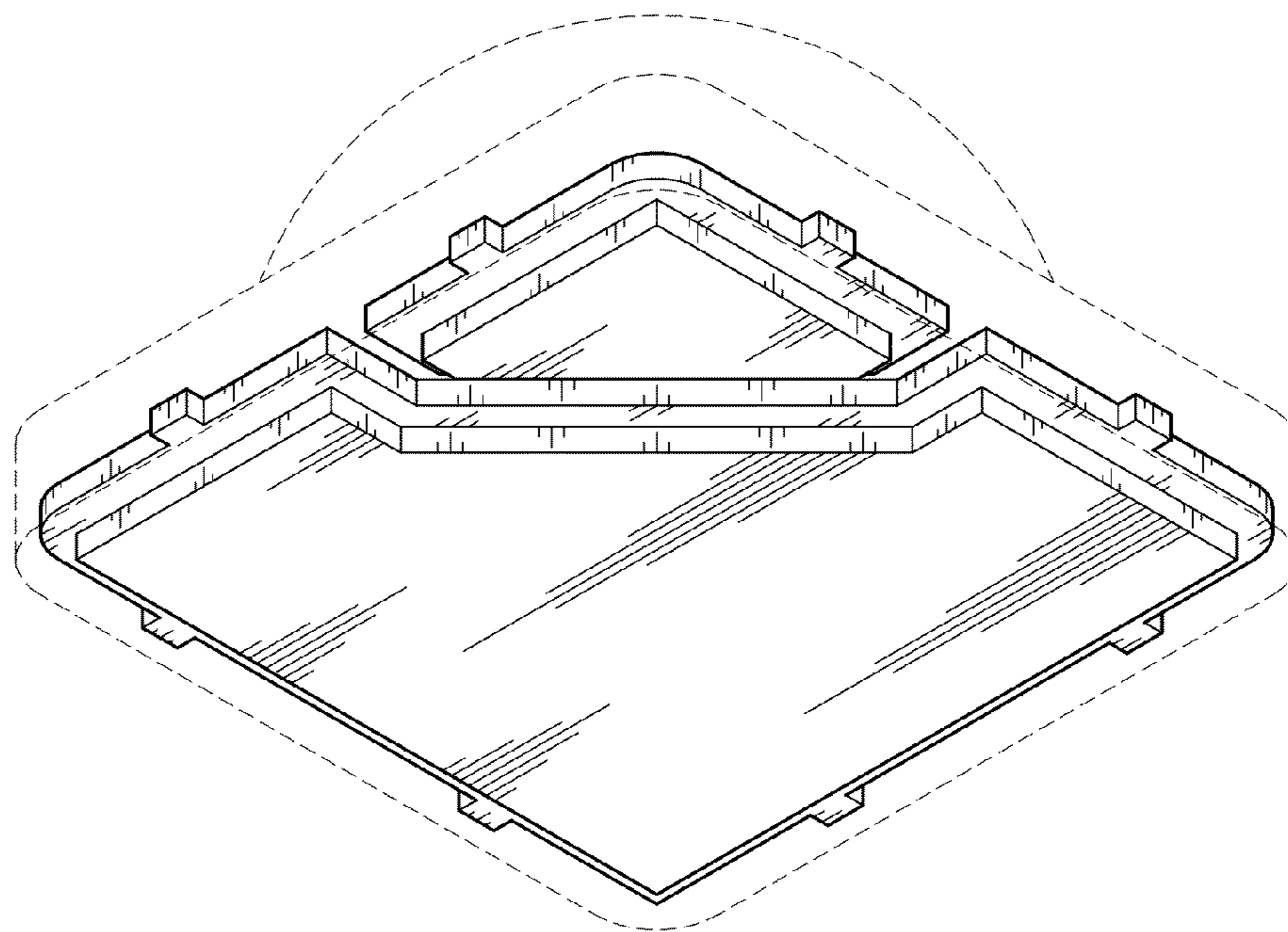


FIG. 8

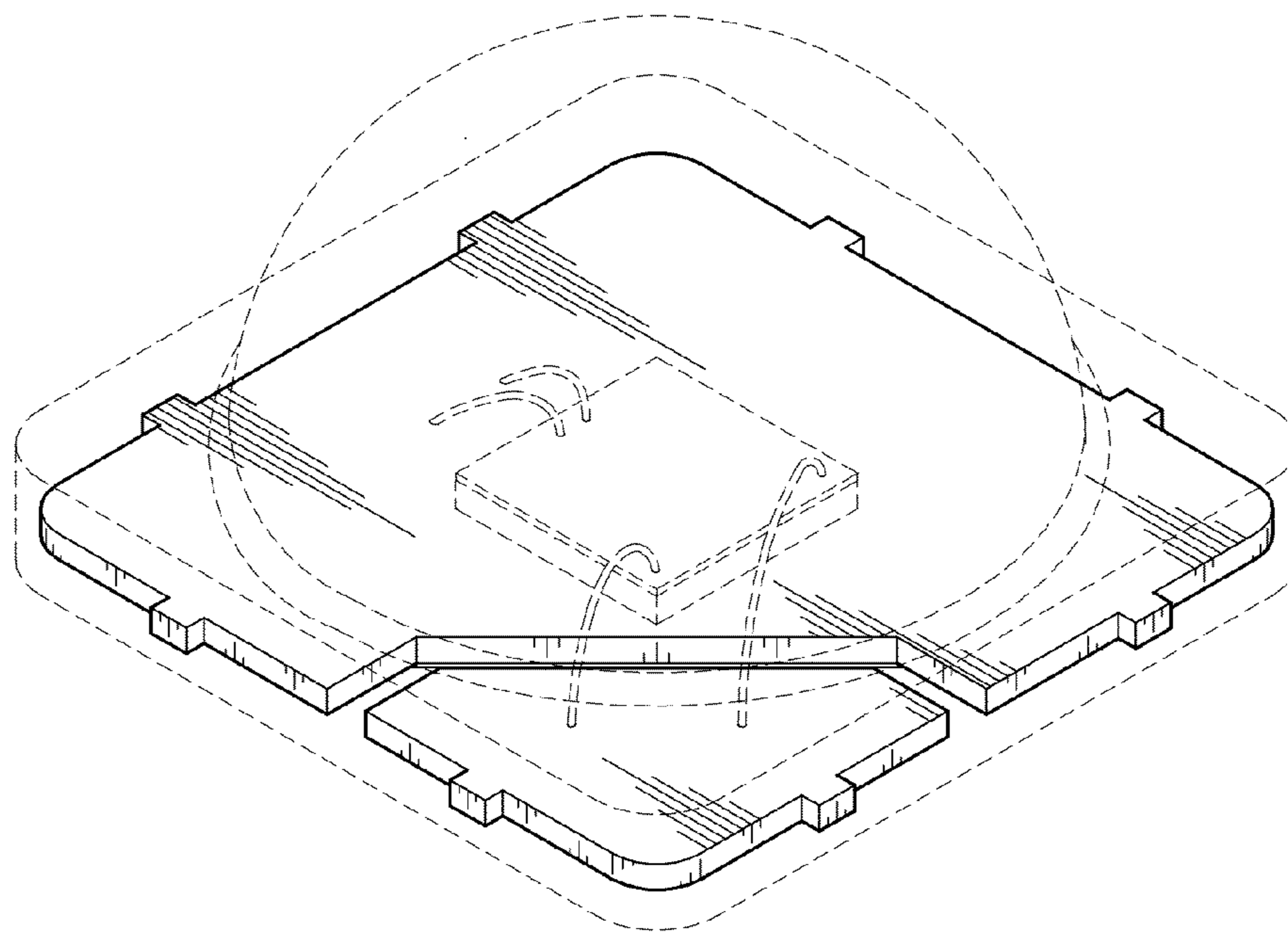


FIG. 9