



US00D674350S

(12) **United States Design Patent**  
**Hodge et al.**

(10) **Patent No.:** **US D674,350 S**  
(45) **Date of Patent:** **\*\* Jan. 15, 2013**

(54) **CABLE PASS THRU MODULE**

(56) **References Cited**

(75) Inventors: **Kevin Scott Hodge**, Lucas, TX (US);  
**Michael Woodford Freitas**, Colleyville,  
TX (US); **Jeffrey Alan Garrett**, Allen,  
TX (US); **Jeffrey Hampton Burch**,  
Murphy, TX (US)

U.S. PATENT DOCUMENTS

D334,562	S	*	4/1993	Maloney	.....	D13/155
D380,736	S	*	7/1997	Theis et al.	.....	D13/155
D402,264	S	*	12/1998	Carlson et al.	.....	D13/155
D439,565	S	*	3/2001	Lindborg	.....	D13/155
D539,232	S	*	3/2007	Lozano	.....	D13/155
7,362,941	B2	*	4/2008	Rinderer et al.	.....	385/134

(73) Assignee: **AMX LLC**, Richardson, TX (US)

\* cited by examiner

(\*\*) Term: **14 Years**

*Primary Examiner* — Derrick Holland

(21) Appl. No.: **29/394,003**

(57) **CLAIM**

The ornamental design for a cable pass thru module, as shown and described.

(22) Filed: **Jun. 11, 2011**

**DESCRIPTION**

(51) **LOC (9) Cl.** ..... **13-03**

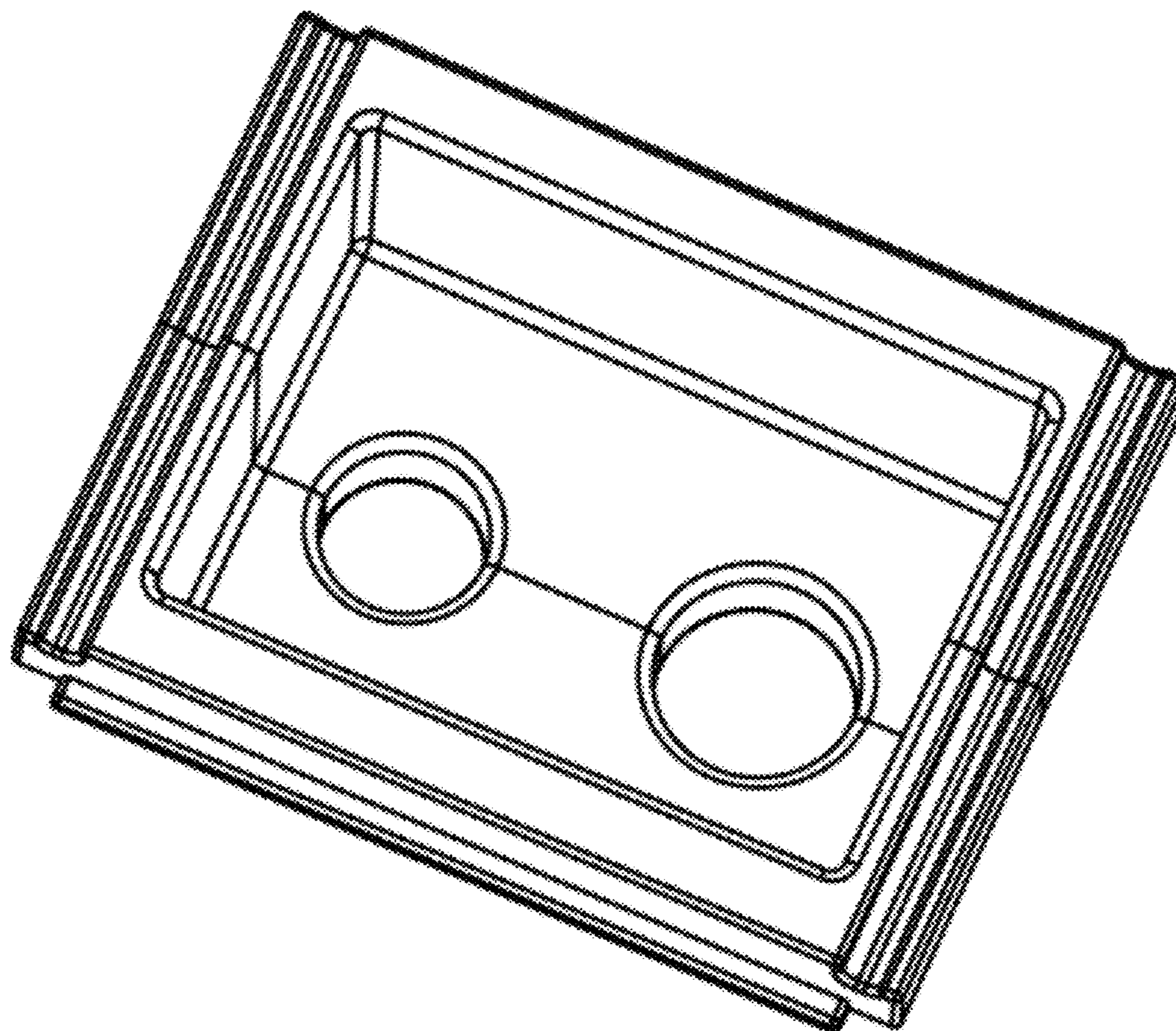
(52) **U.S. Cl.** ..... **D13/155**

(58) **Field of Classification Search** ..... D13/155,  
D13/133, 147, 153, 154, 156, 184, 199; D8/349,  
D8/354, 356; 174/48, 68.3, 72 A, 95, 99 R,  
174/101; 248/49, 56, 57, 59

FIG. 1 is an isometric view of a cable pass thru module;  
FIG. 2 is a top plan view thereof;  
FIG. 3 is a front elevation view; and,  
FIG. 4 is a right elevation view thereof.

See application file for complete search history.

**1 Claim, 4 Drawing Sheets**



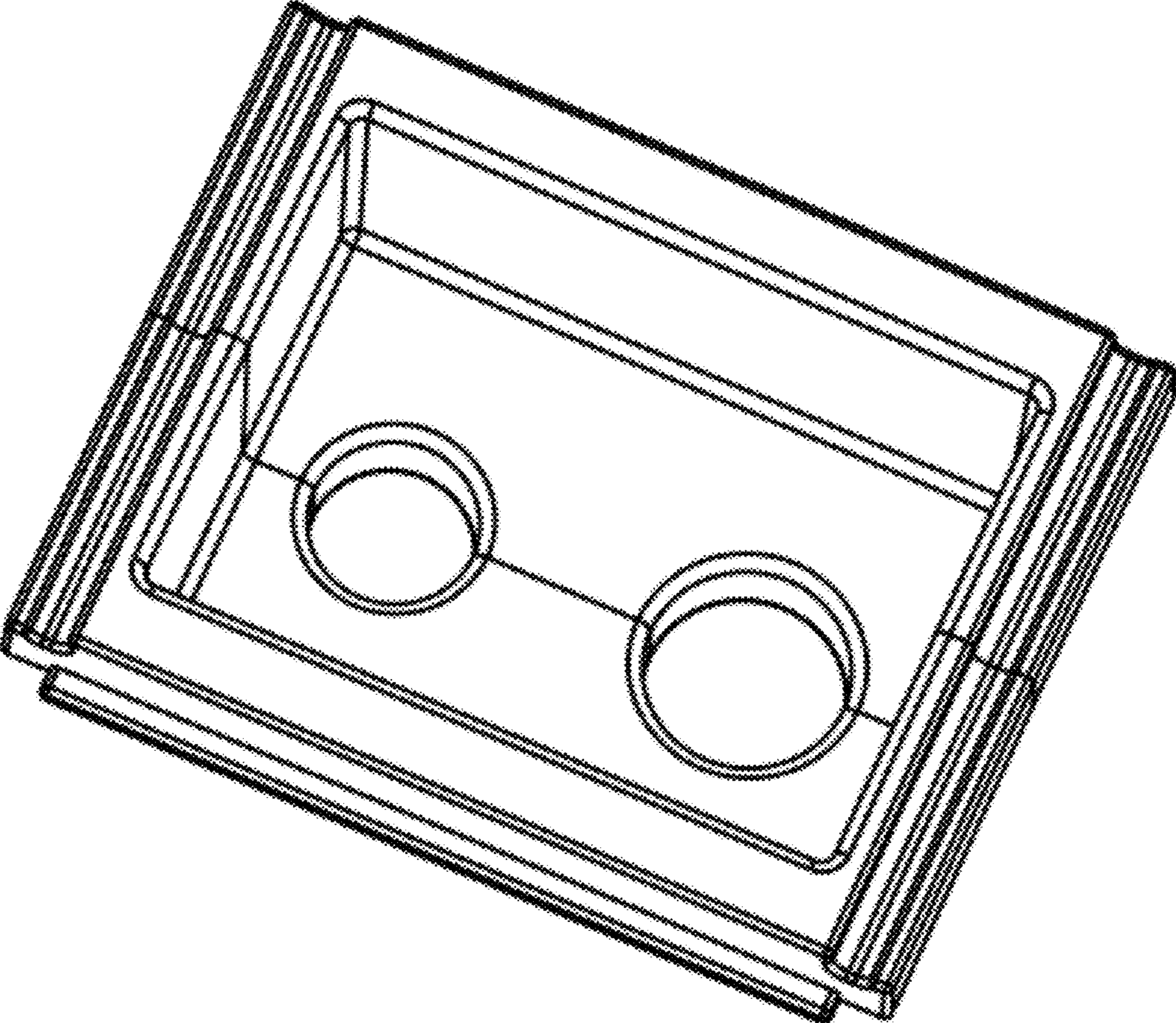


FIGURE 1

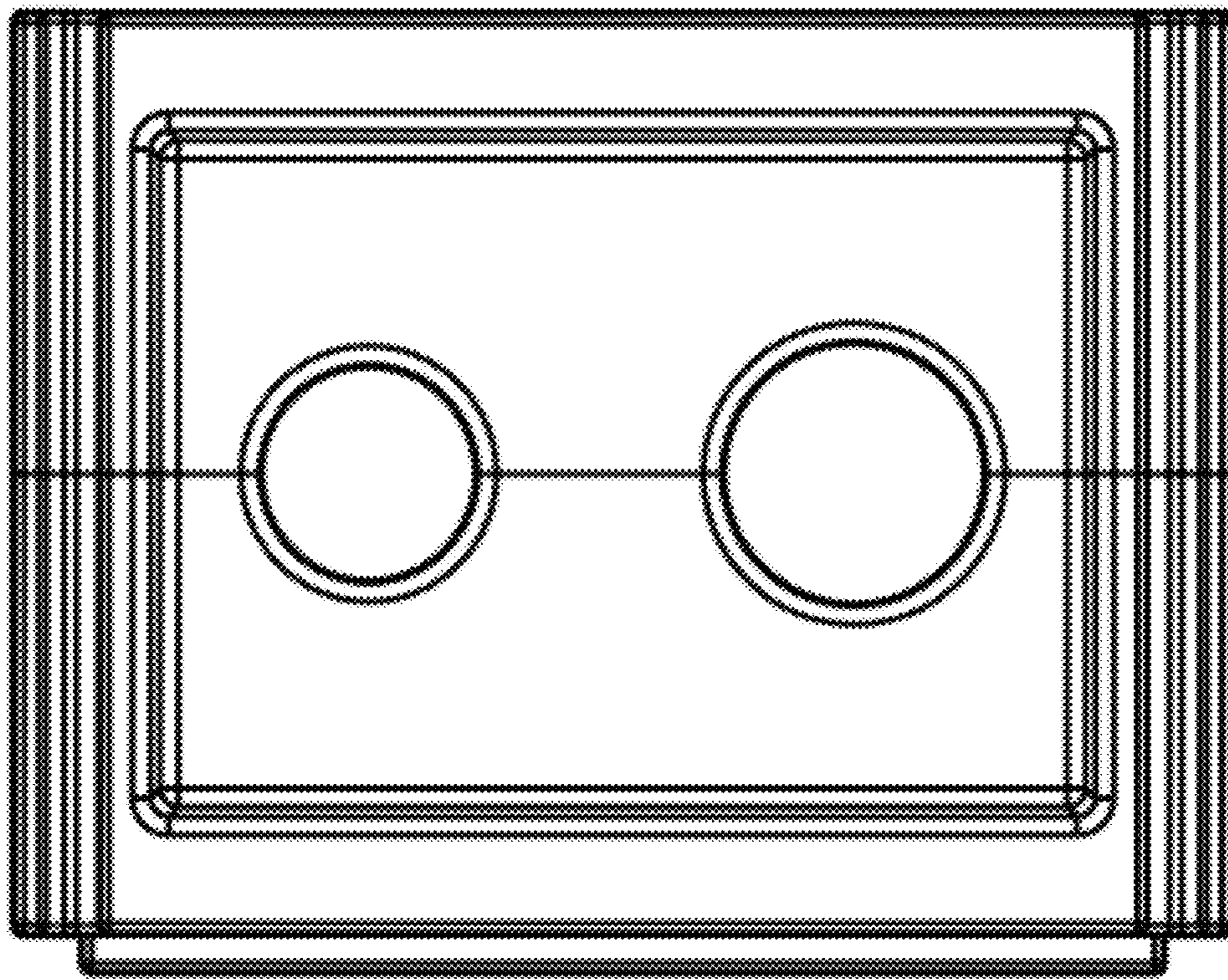


FIGURE 2

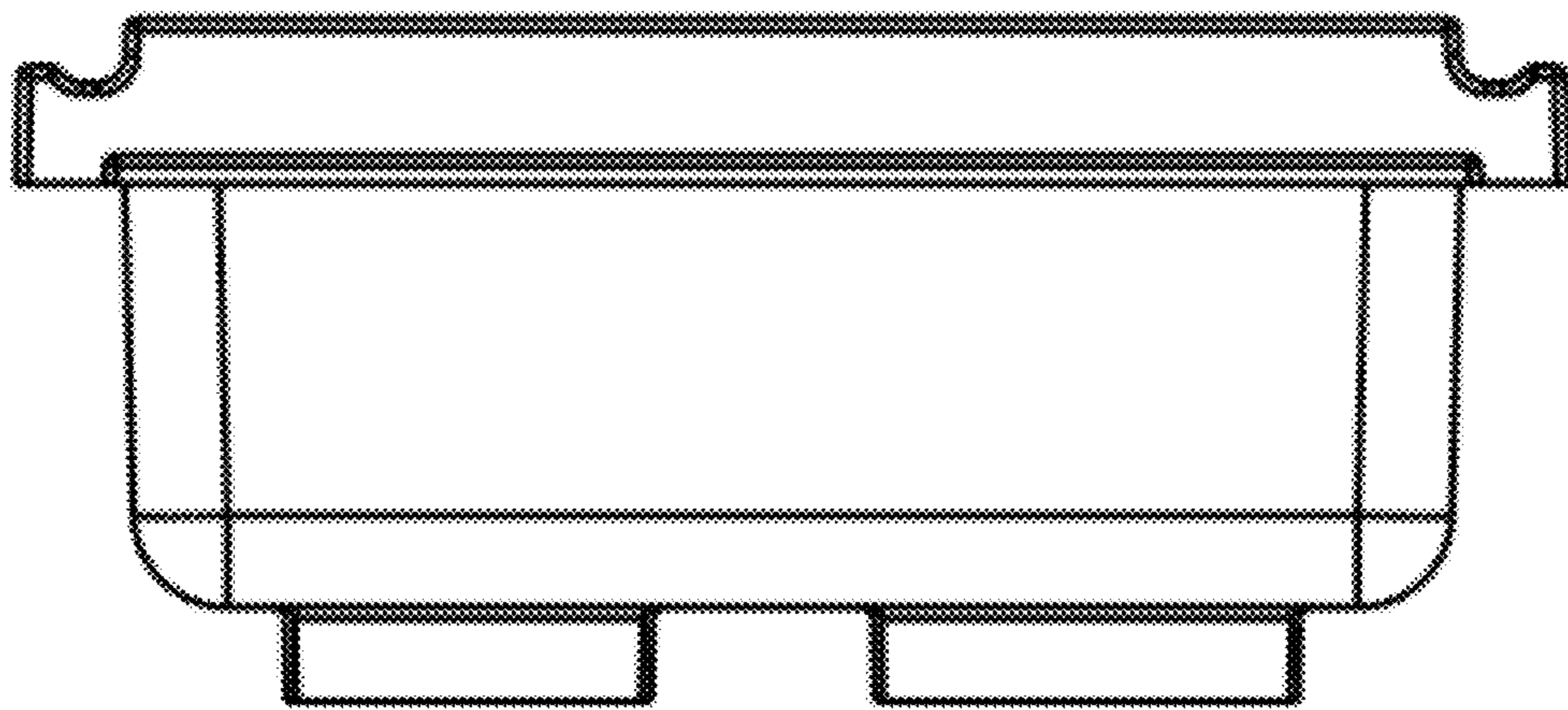


FIGURE 3

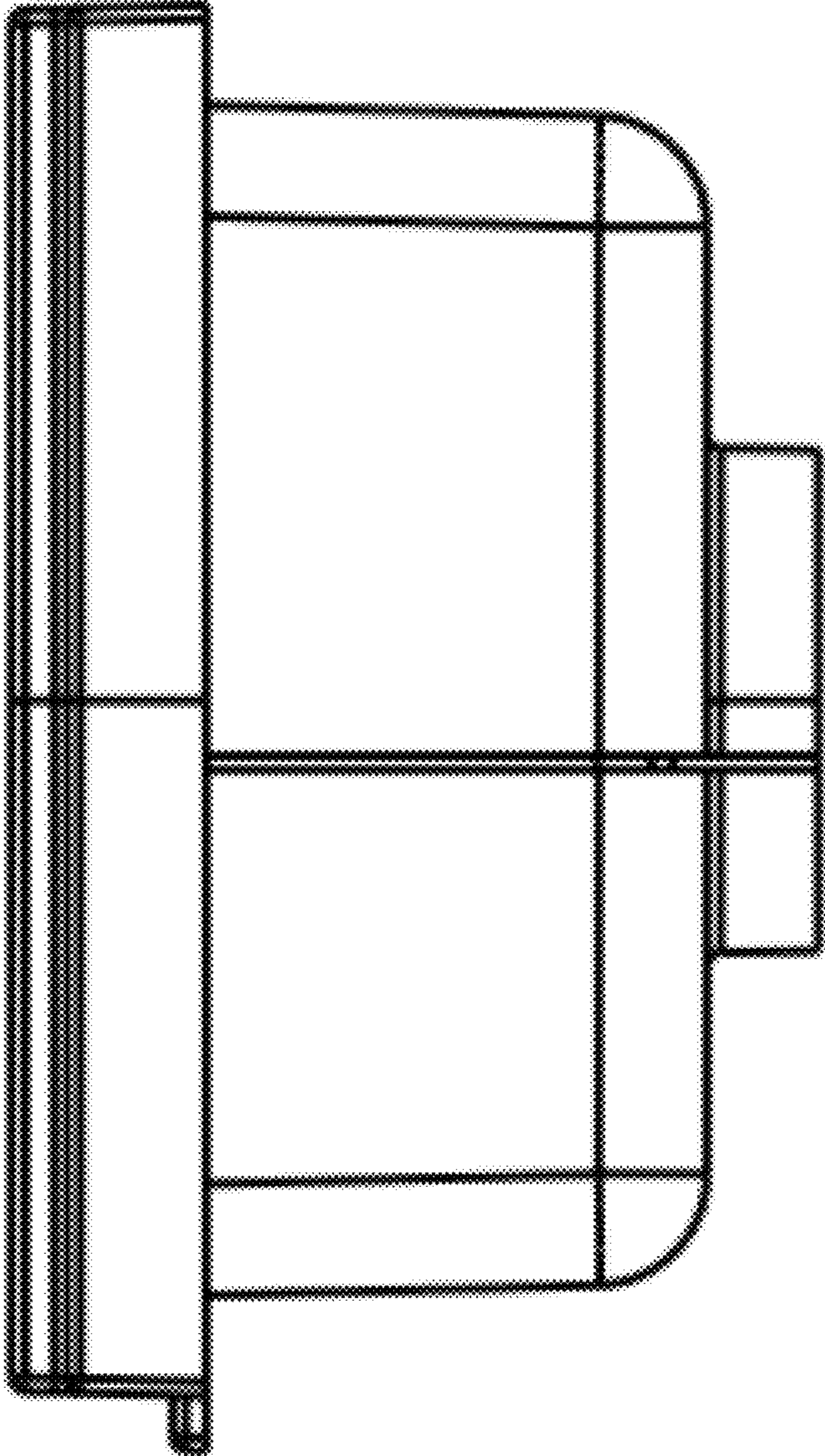


FIGURE 4