



US00D674348S

(12) **United States Design Patent**  
**Lee et al.**

(10) **Patent No.:** **US D674,348 S**  
(45) **Date of Patent:** **\*\* Jan. 15, 2013**

(54) **EXTENSION CORD SOCKET**

(56) **References Cited**

(75) Inventors: **Chiu-San Lee, Yonghe (TW); Su-Chen Shen, Yonghe (TW)**

U.S. PATENT DOCUMENTS

RE25,031 E *	8/1961	Hoolim .....	D5/59
D357,460 S *	4/1995	Lovett .....	D13/139.1
D407,372 S *	3/1999	Starec et al. ....	D13/139.2
D609,643 S *	2/2010	Oddsens et al. ....	D13/139.1

(73) Assignee: **XYZ Science Co., Ltd., Taipei County (TW)**

\* cited by examiner

(\*\*) Term: **14 Years**

*Primary Examiner* — Susan Bennett Hattan  
(74) *Attorney, Agent, or Firm* — Leong C. Lei

(21) Appl. No.: **29/377,530**

(57) **CLAIM**  
The ornamental design for an extension cord socket, as shown and described.

(22) Filed: **Oct. 22, 2010**

**DESCRIPTION**

(51) **LOC (9) Cl.** ..... **13-03**

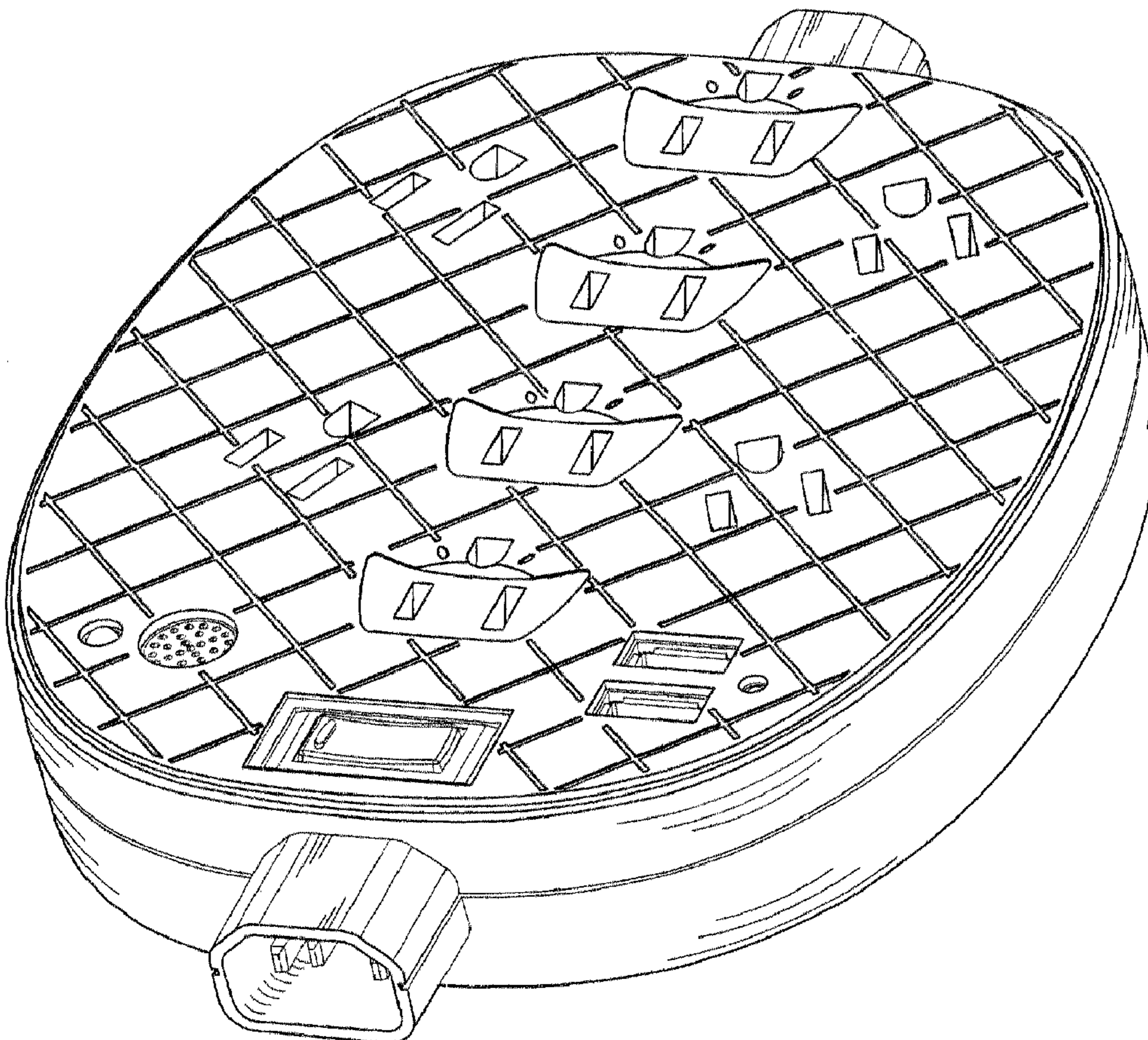
FIG. 1 is a front perspective view of an extension cord socket showing my new design;  
FIG. 2 is a front elevational view thereof;  
FIG. 3 is a rear elevational view thereof;  
FIG. 4 is a left elevational view thereof;  
FIG. 5 is a right elevational view thereof;  
FIG. 6 is a top plan view thereof; and,  
FIG. 7 is a bottom plan view thereof.

(52) **U.S. Cl.** ..... **D13/137.1**

(58) **Field of Classification Search** ..... D13/184,  
D13/156, 155, 154, 153, 152, 147, 139.1–139.4,  
D13/137.1–137.4, 133; 600/166; 439/675,  
439/668, 623, 578, 502, 106; 385/77; 174/151,  
174/138 F, 113 R; D5/59, 58

See application file for complete search history.

**1 Claim, 7 Drawing Sheets**



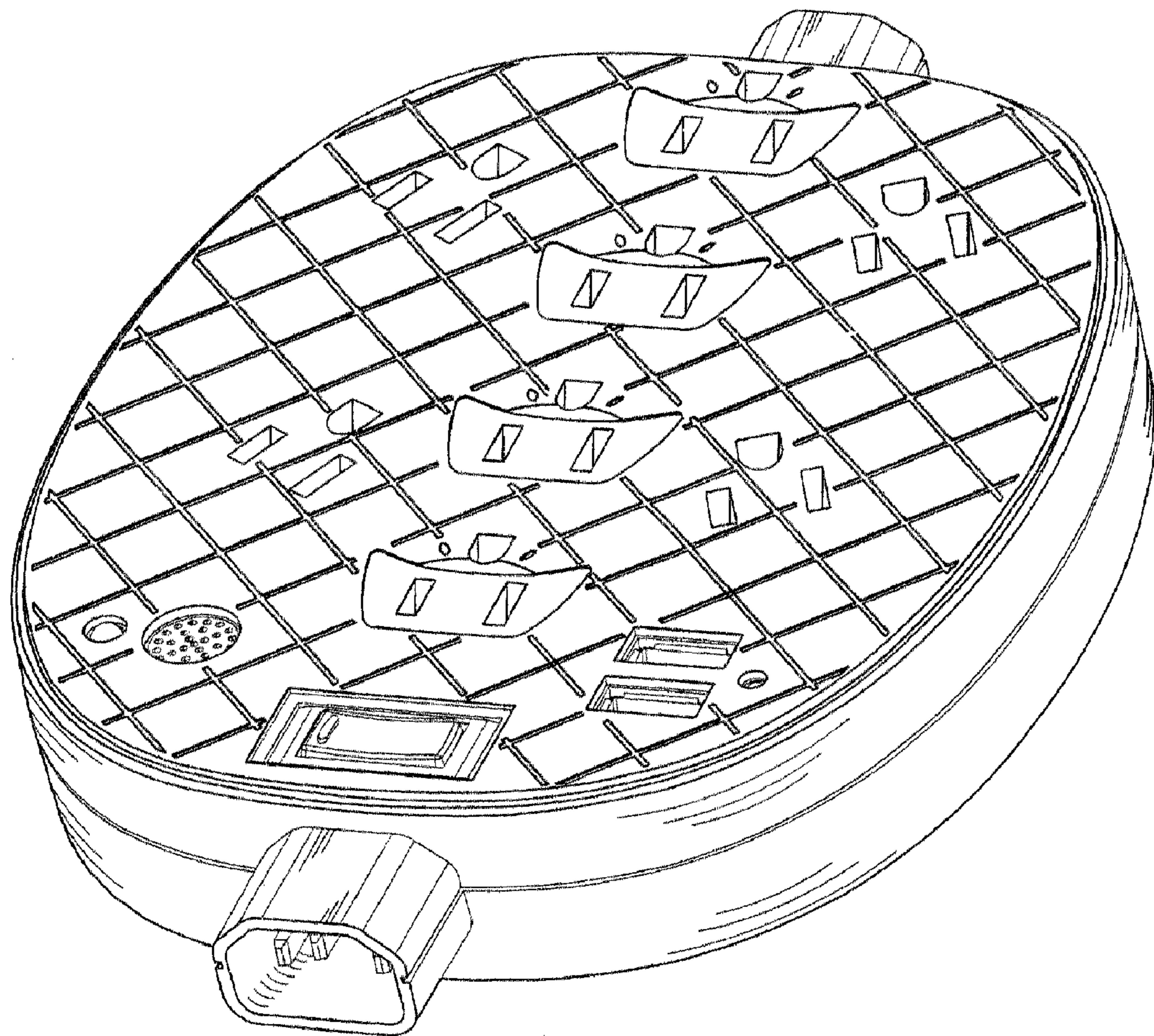


FIG.1

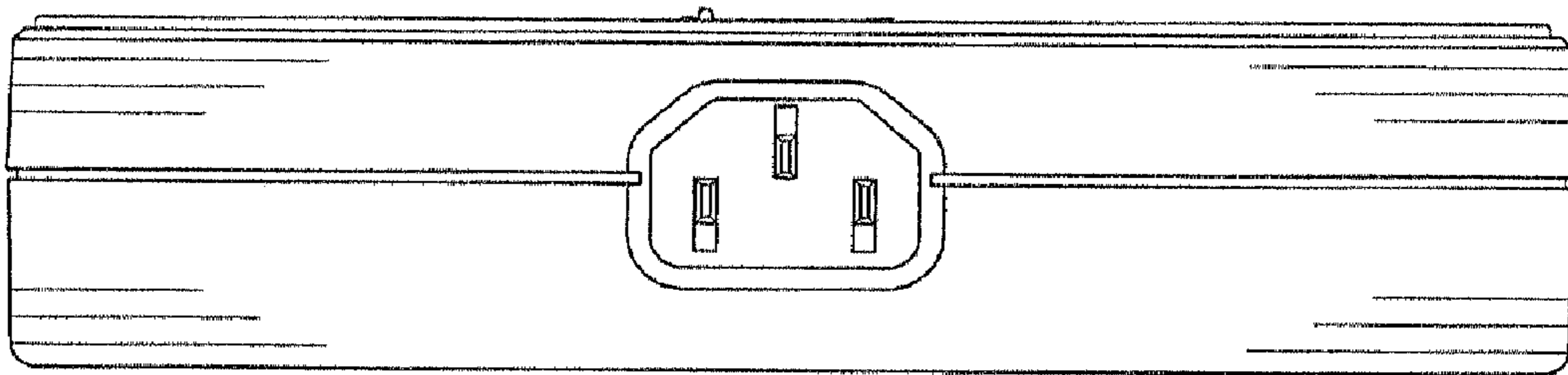


FIG.2

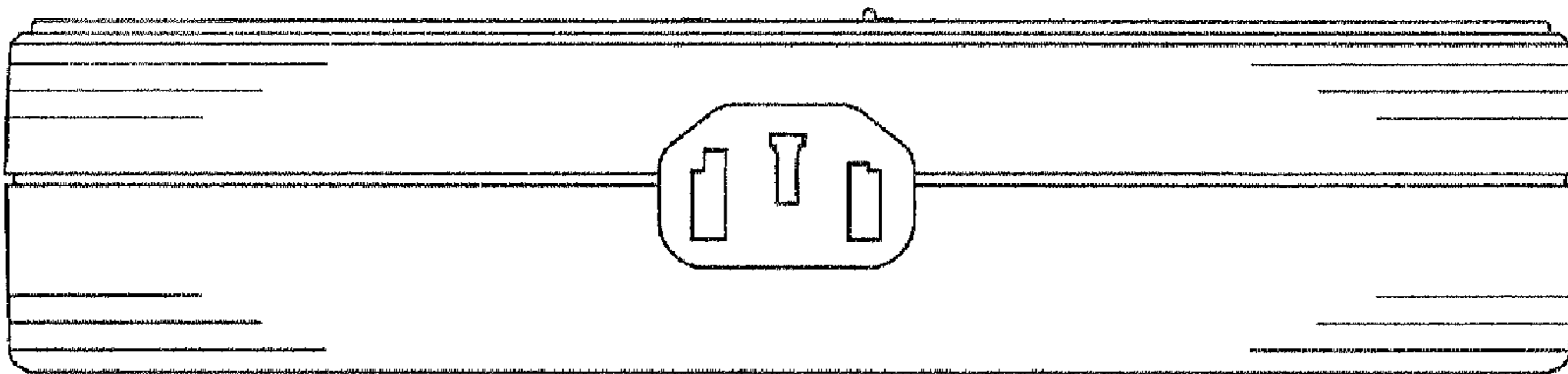


FIG.3

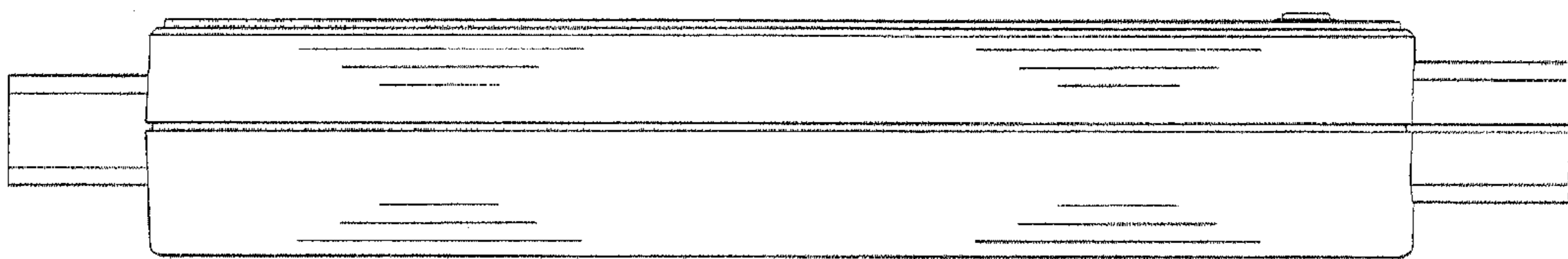


FIG.4

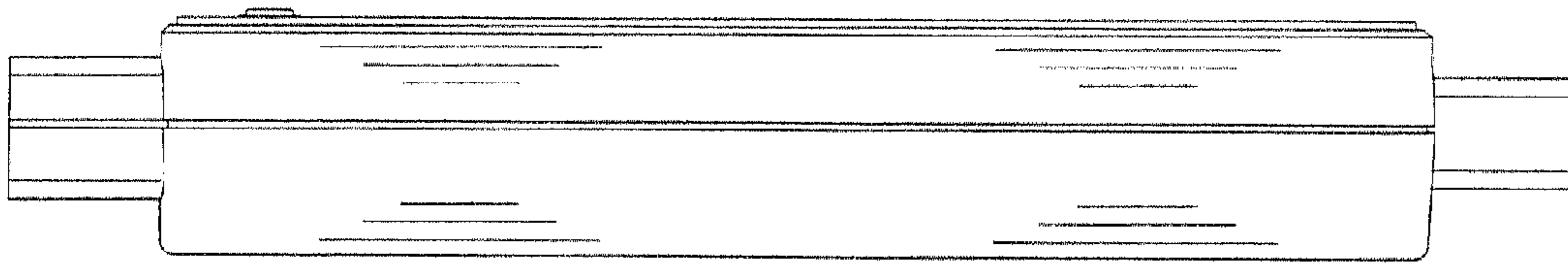


FIG.5

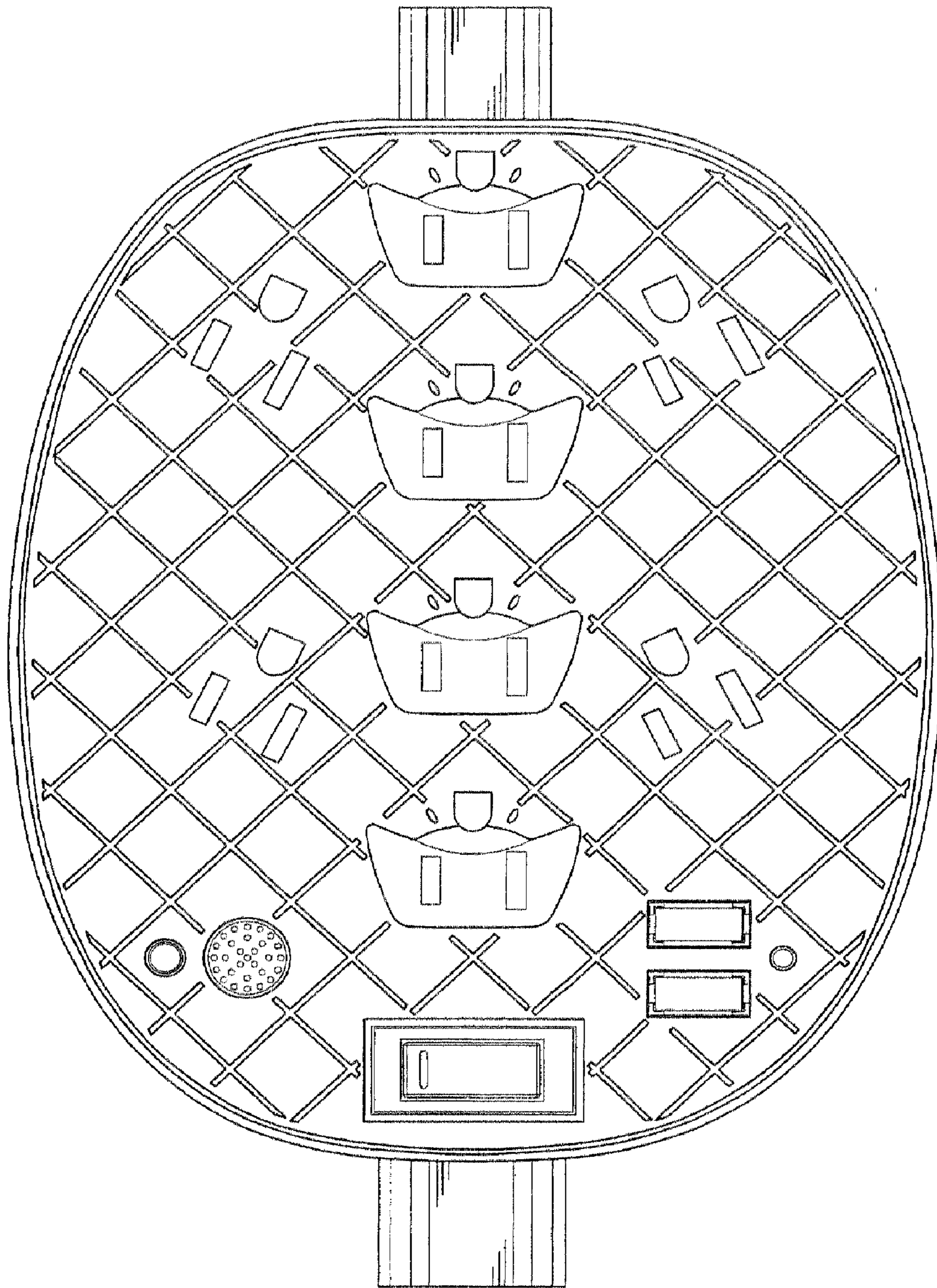


FIG. 6

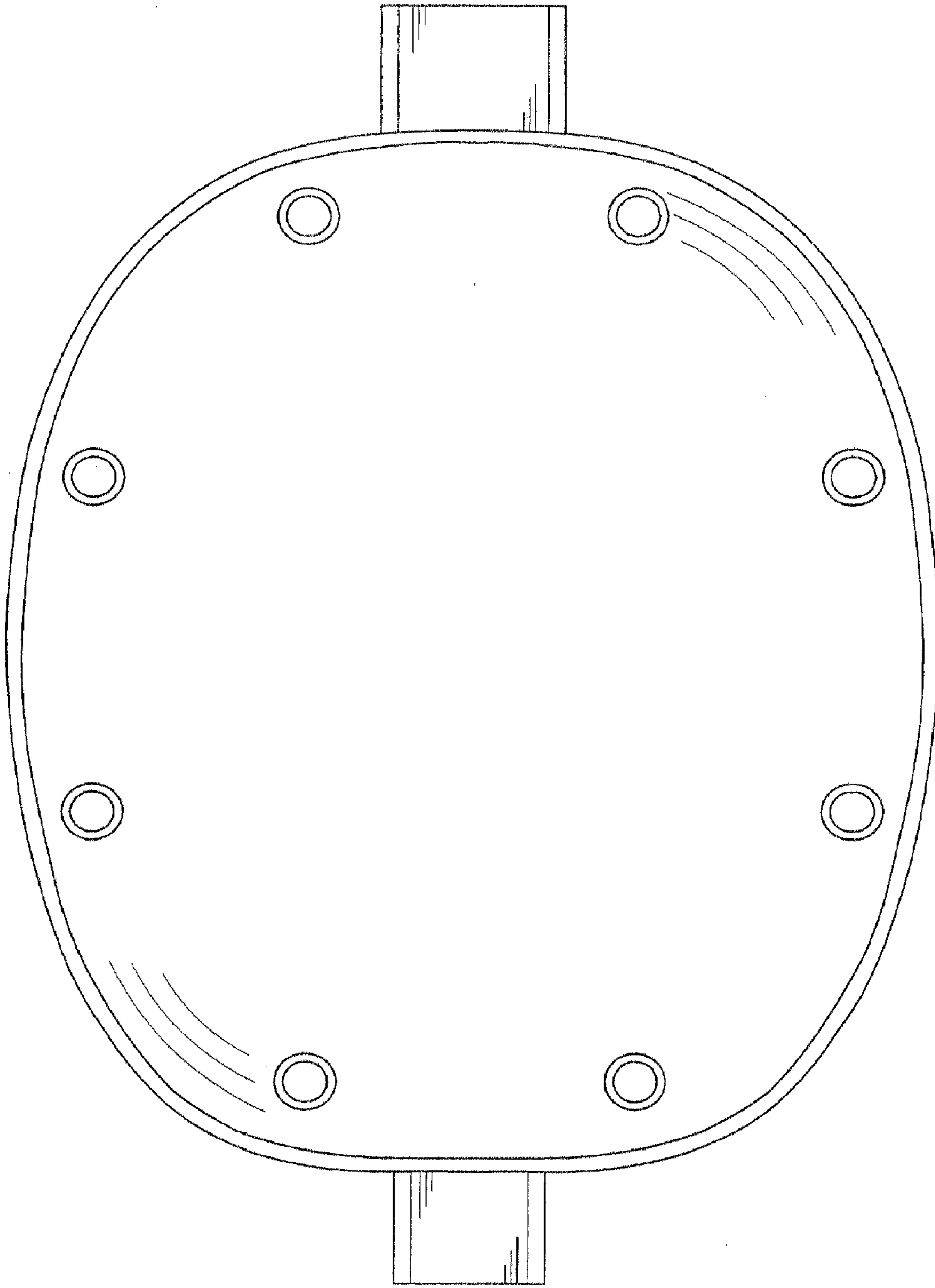


FIG. 7