



US00D674347S

(12) **United States Design Patent**
Shifris et al.

(10) **Patent No.:** **US D674,347 S**
(45) **Date of Patent:** **** Jan. 15, 2013**

(54) **TELECOMMUNICATION CONNECTOR**

(75) Inventors: **Pinchas Shifris**, Tel Aviv (IL); **Yaakov Haggay**, Kfar Saba (IL); **Nuzbrahe Marat**, Rehovot (IL)

(73) Assignee: **RIT Technologies Ltd.**, Tel Aviv (IL)

(**) Term: **14 Years**

(21) Appl. No.: **29/417,567**

(22) Filed: **Apr. 5, 2012**

(51) **LOC (9) Cl.** **13-03**

(52) **U.S. Cl.** **D13/133**

(58) **Field of Classification Search** D13/133,
D13/147, 154, 184, 199; 385/55, 56, 59,
385/76, 77, 78, 88, 89

See application file for complete search history.

(56) **References Cited**

U.S. PATENT DOCUMENTS

5,293,581	A *	3/1994	DiMarco	385/76
D434,376	S *	11/2000	Connelly	D13/133
D481,680	S *	11/2003	Cheng et al.	D13/133
D523,396	S *	6/2006	Shiraishi et al.	D13/133
2003/0091295	A1 *	5/2003	Cheng	385/76

* cited by examiner

Primary Examiner — Daniel Bui

(74) *Attorney, Agent, or Firm* — Pearl Cohen Zedek Latzer, LLP

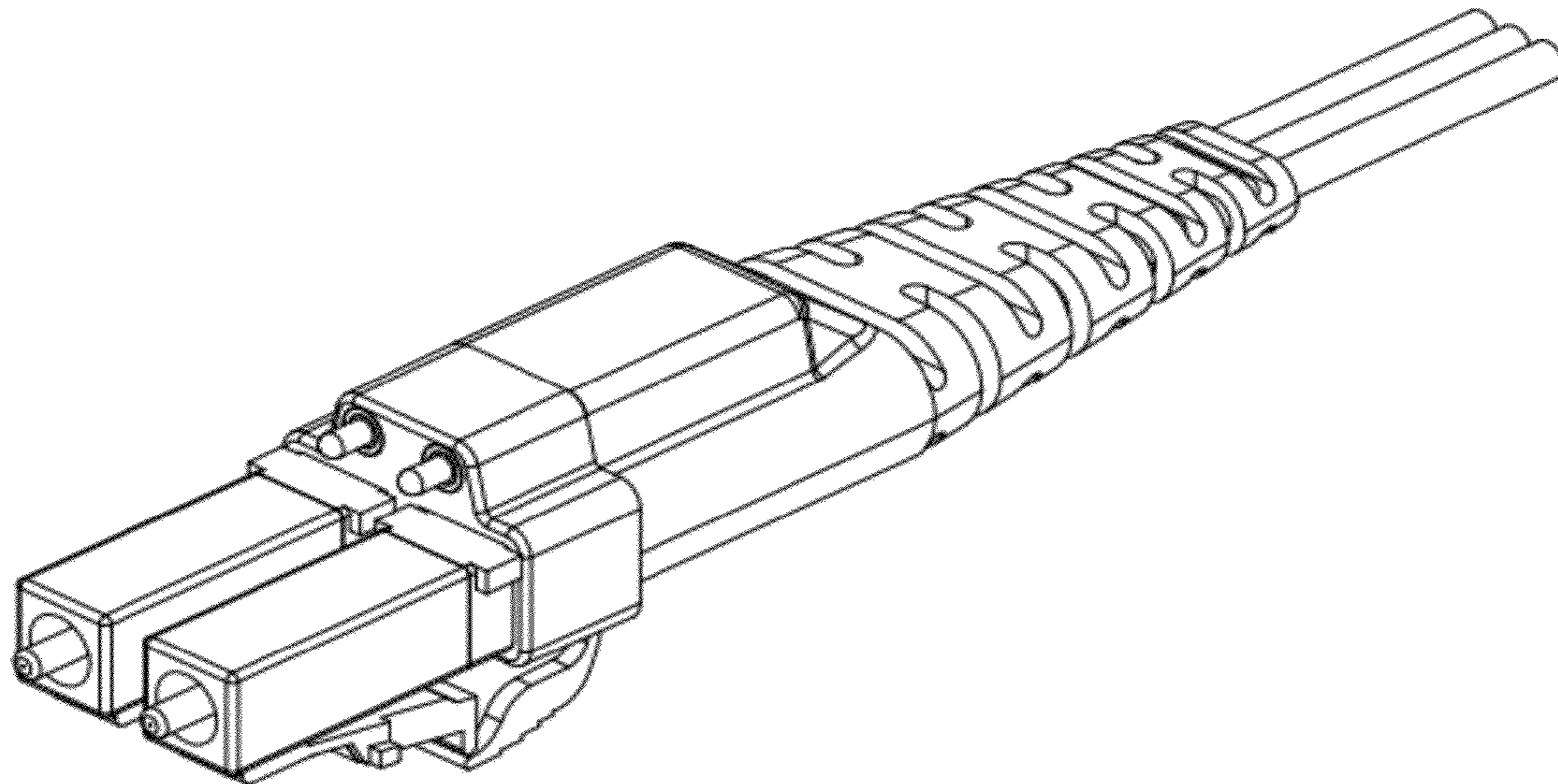
(57) **CLAIM**

The ornamental design for a telecommunication connector, as shown and described.

DESCRIPTION

FIG. 1 is a top perspective view of a telecommunication connector showing our new design; FIG. 2 is front view of the telecommunication connector shown in FIG. 1; FIG. 3 is a top view of the telecommunication connector shown in FIG. 1; FIG. 4 is a side view of the telecommunication connector shown in FIG. 1; FIG. 5 is a bottom view of the telecommunication connector shown in FIG. 1; and, FIG. 6 is a rear view of the telecommunication connector shown in FIG. 1.

1 Claim, 6 Drawing Sheets



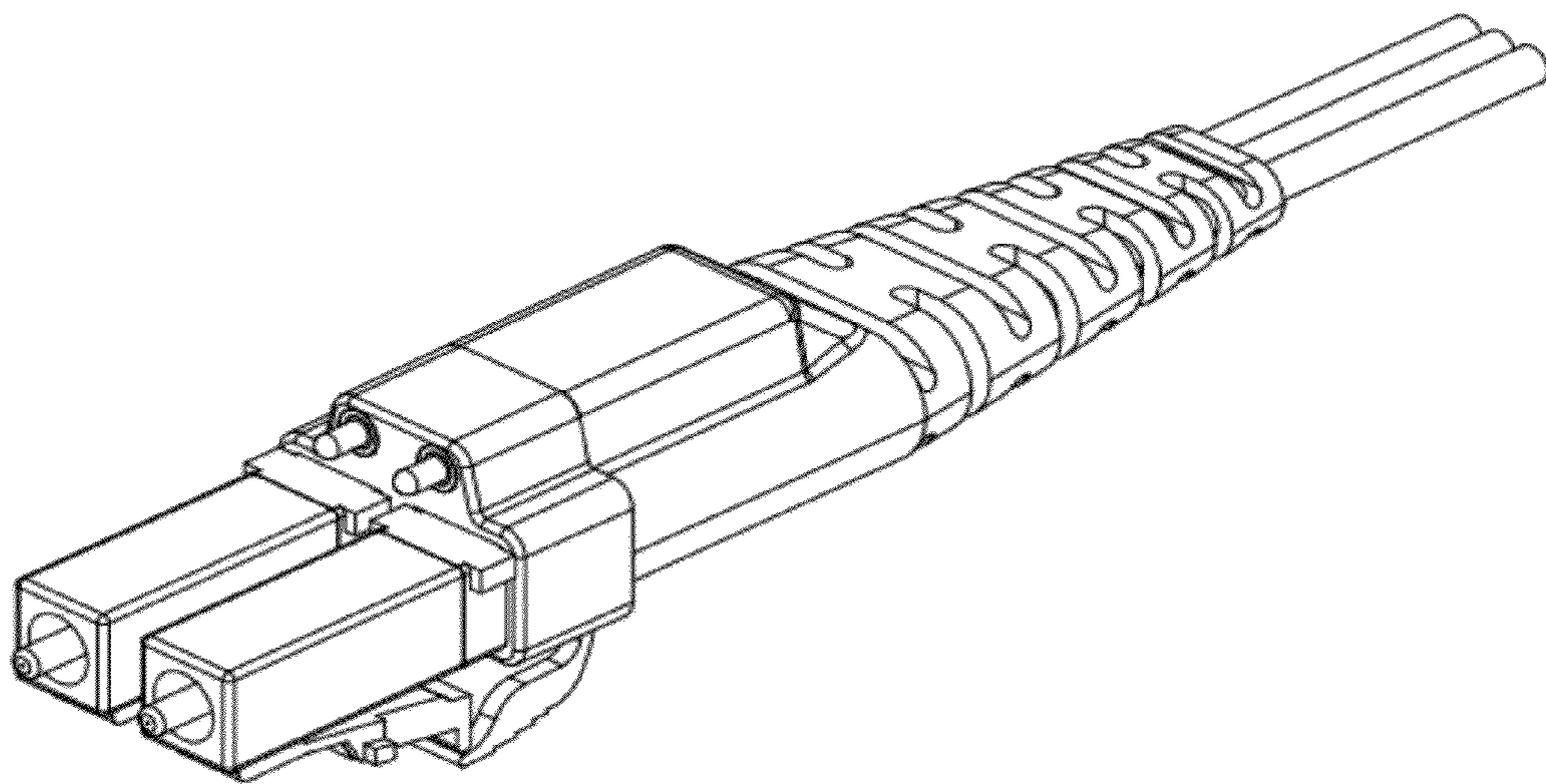


Fig 1

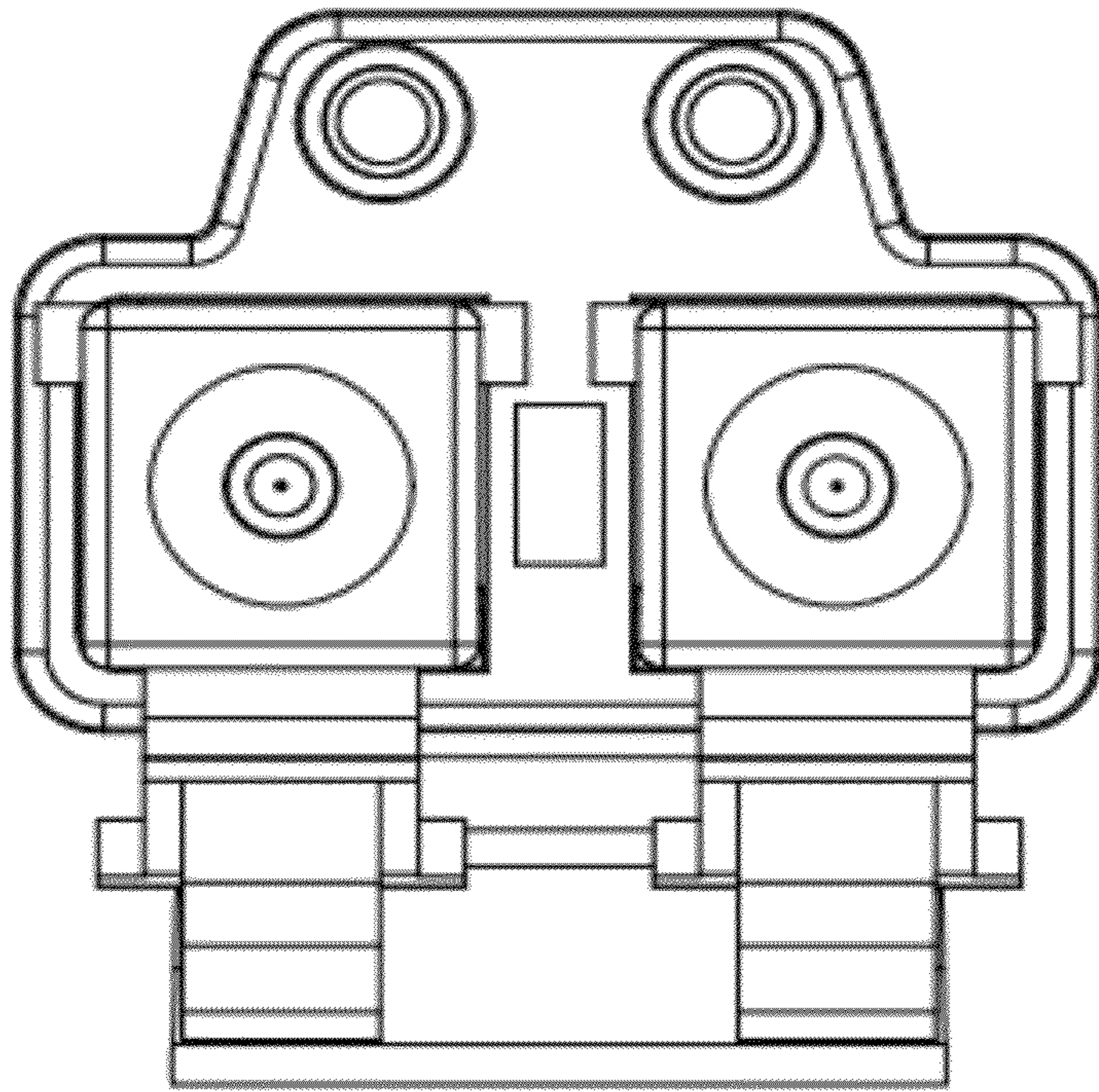


Fig 2

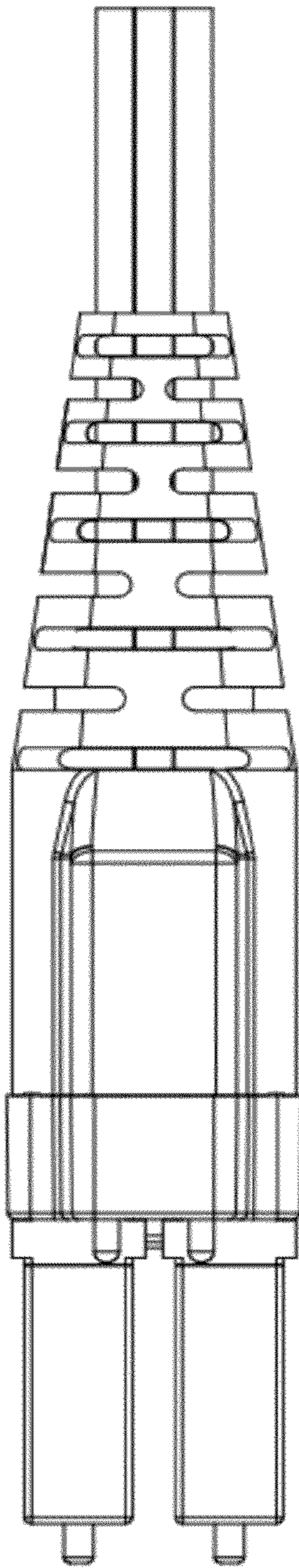


Fig 3

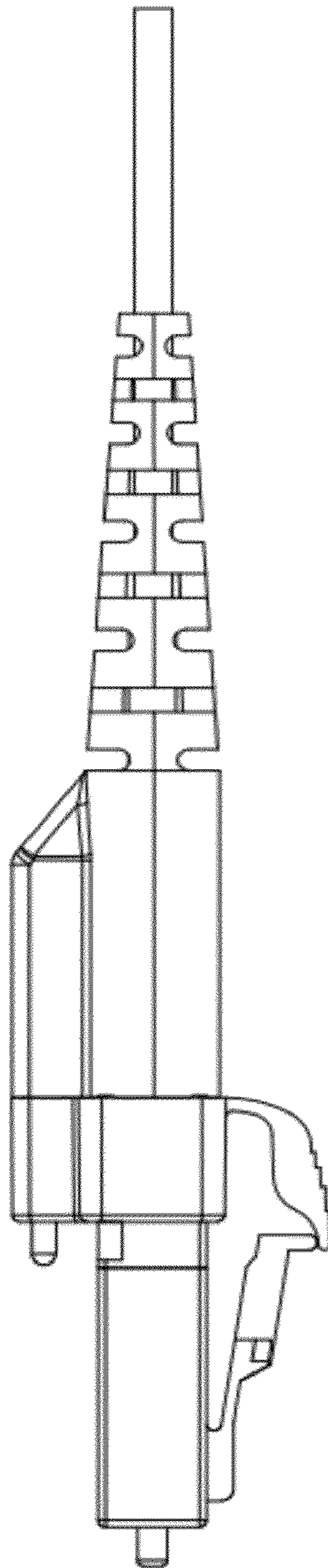


Fig4

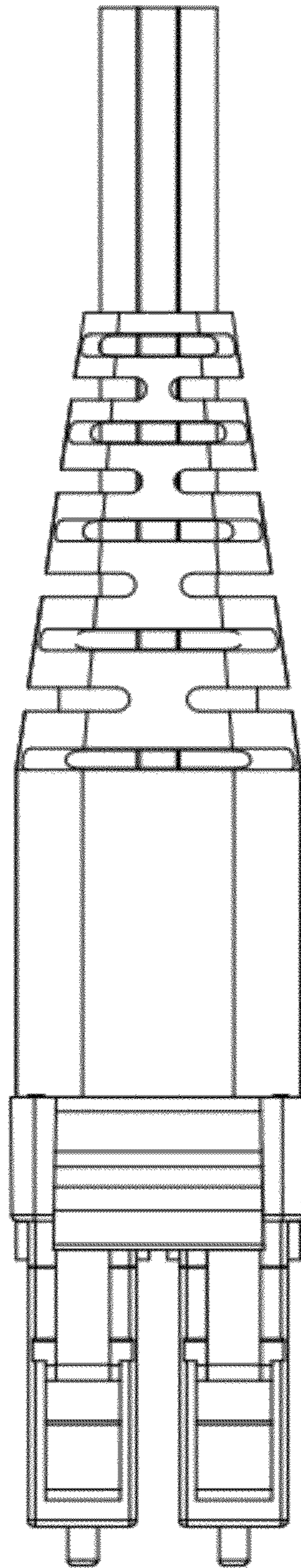


Fig 5

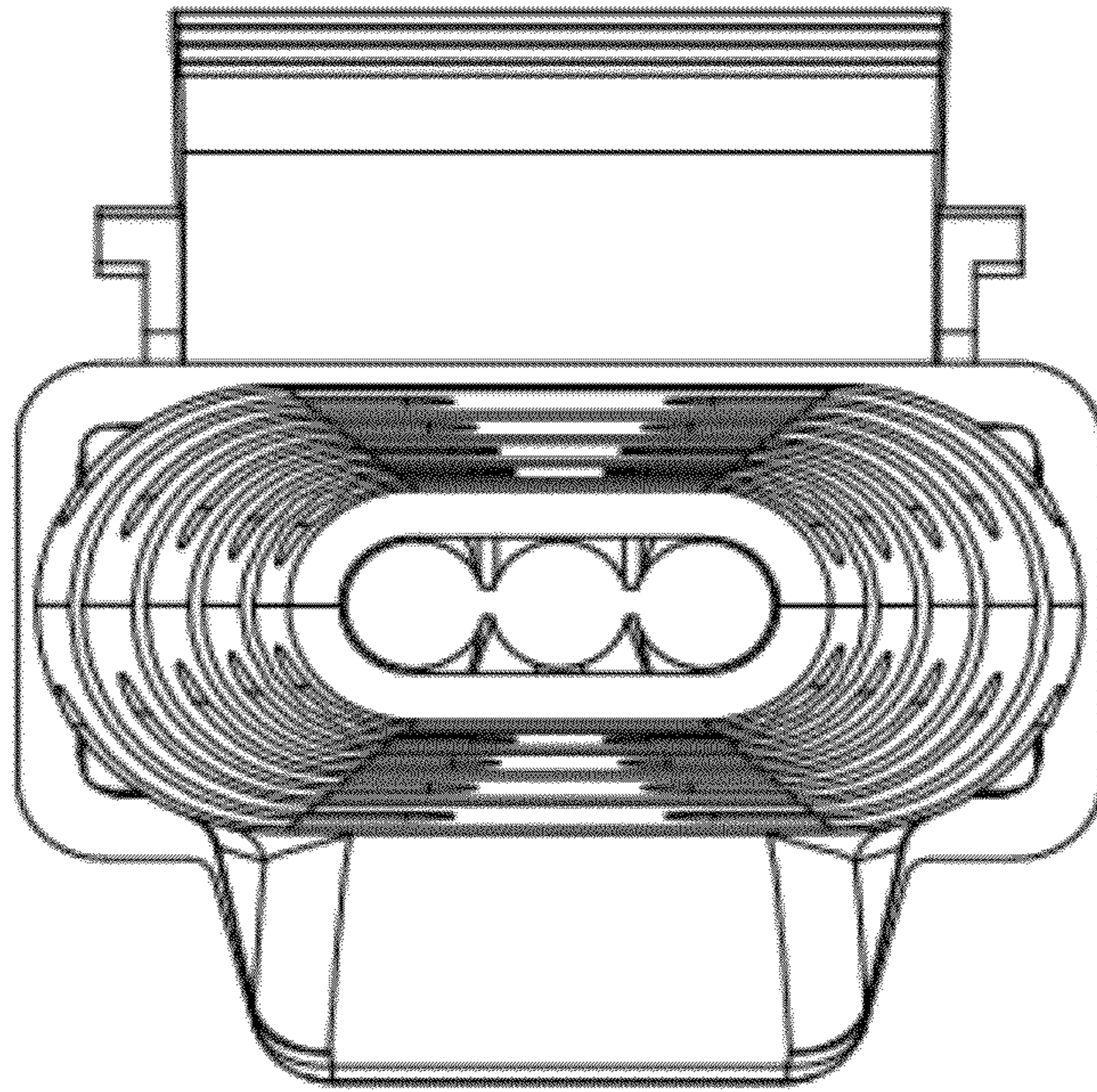


Fig 6