



US00D674346S

(12) **United States Design Patent**
Hashimoto

(10) **Patent No.:** **US D674,346 S**
(45) **Date of Patent:** **** Jan. 15, 2013**

(54) **ELECTRICAL COAXIAL CONNECTOR**

(75) Inventor: **Yoichi Hashimoto**, Tokyo (JP)

(73) Assignee: **Dai-Ichi Seiko Co., Ltd.** (JP)

(**) Term: **14 Years**

(21) Appl. No.: **29/413,939**

(22) Filed: **Feb. 22, 2012**

(30) **Foreign Application Priority Data**

Aug. 30, 2011 (JP) 2011-019504

(51) **LOC (9) Cl.** **13-03**

(52) **U.S. Cl.** **D13/133**

(58) **Field of Classification Search** D13/133,
D13/154, 184, 199; 439/63, 180, 246, 252,
439/274, 278, 381, 527, 529, 533, 578, 583,
439/584, 585, 842, 852, 854-857, 892, 894
See application file for complete search history.

(56) **References Cited**

U.S. PATENT DOCUMENTS

D365,324 S *	12/1995	Grande	D13/133
D374,863 S *	10/1996	Grande	D13/146
D400,170 S *	10/1998	Asai et al.	D13/133
D447,117 S *	8/2001	Ko	D13/133
D457,496 S *	5/2002	Ko	D13/133
D513,606 S *	1/2006	Yamane	D13/149

D535,619 S *	1/2007	Nagata	D13/133
D575,237 S *	8/2008	Shiga et al.	D13/151
D575,741 S *	8/2008	Yamane	D13/133
D576,952 S *	9/2008	Hung	D13/133

FOREIGN PATENT DOCUMENTS

JP	D1363782 S	5/2009
JP	D1364005 S	5/2009
JP	D1364006 S	5/2009

* cited by examiner

Primary Examiner — Daniel Bui

(74) *Attorney, Agent, or Firm* — Studebaker & Brackett PC;
Donald R. Studebaker

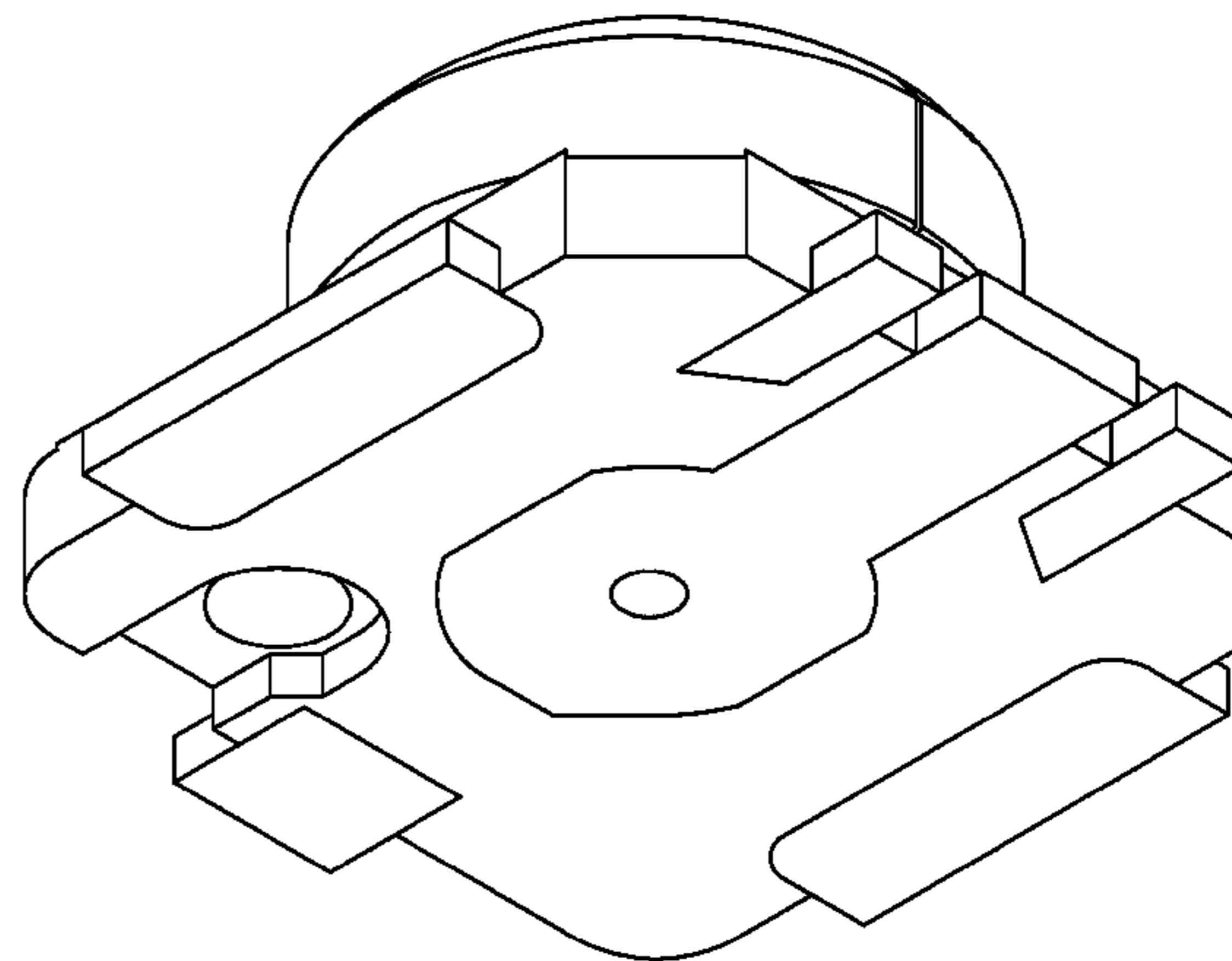
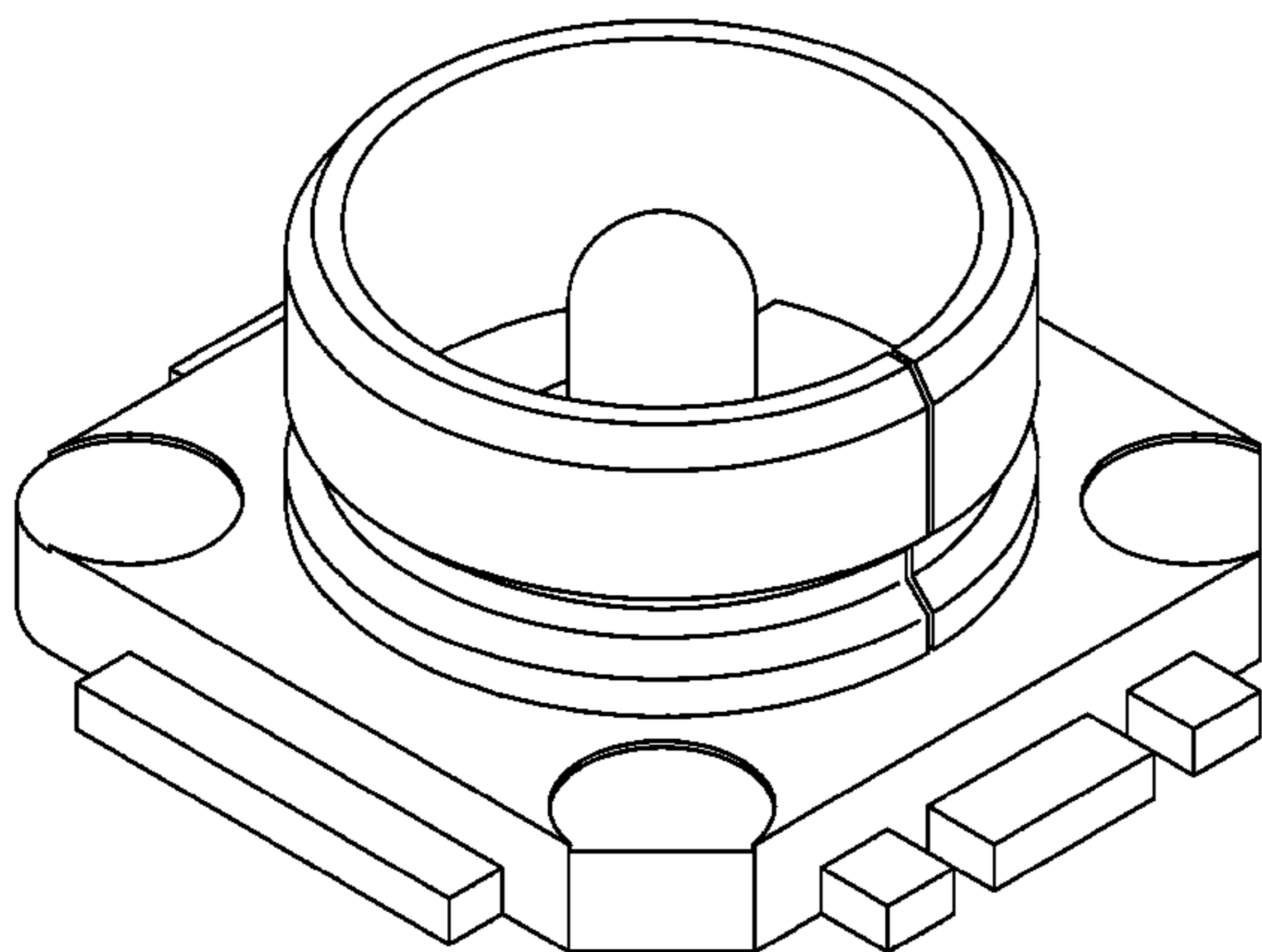
(57) **CLAIM**

The ornamental design for an electrical coaxial connector, as shown and described.

DESCRIPTION

FIG. 1 is a front, top and left side perspective view of an electrical coaxial connector showing my new design; FIG. 2 is a front, bottom and left side perspective view thereof; FIG. 3 is a top plan view thereof; FIG. 4 is a front view thereof; FIG. 5 is a bottom view thereof; FIG. 6 is a rear view thereof; and, FIG. 7 is a right side view thereof, the left side view is a mirror image thereto.

1 Claim, 7 Drawing Sheets



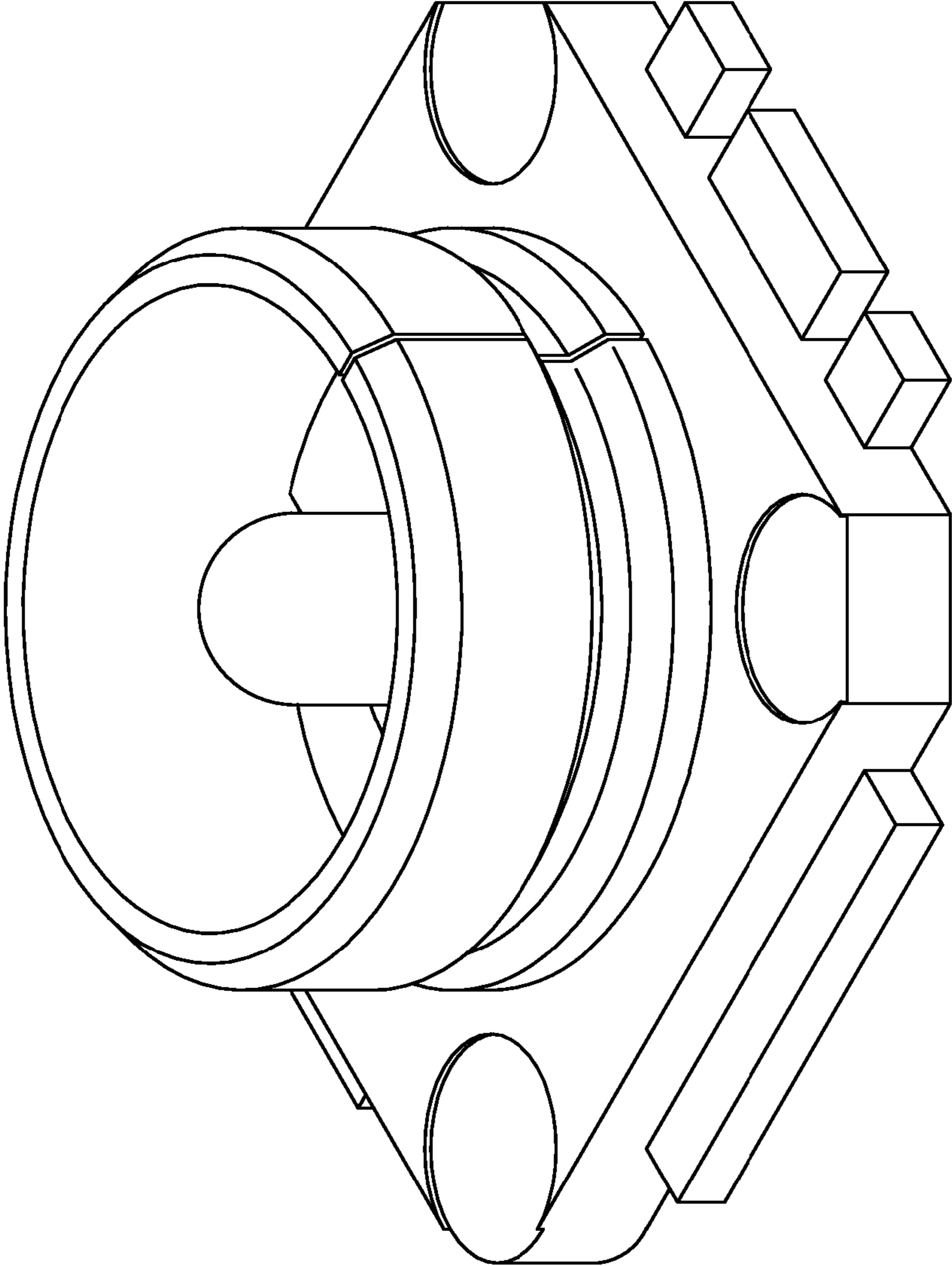


FIG. 1

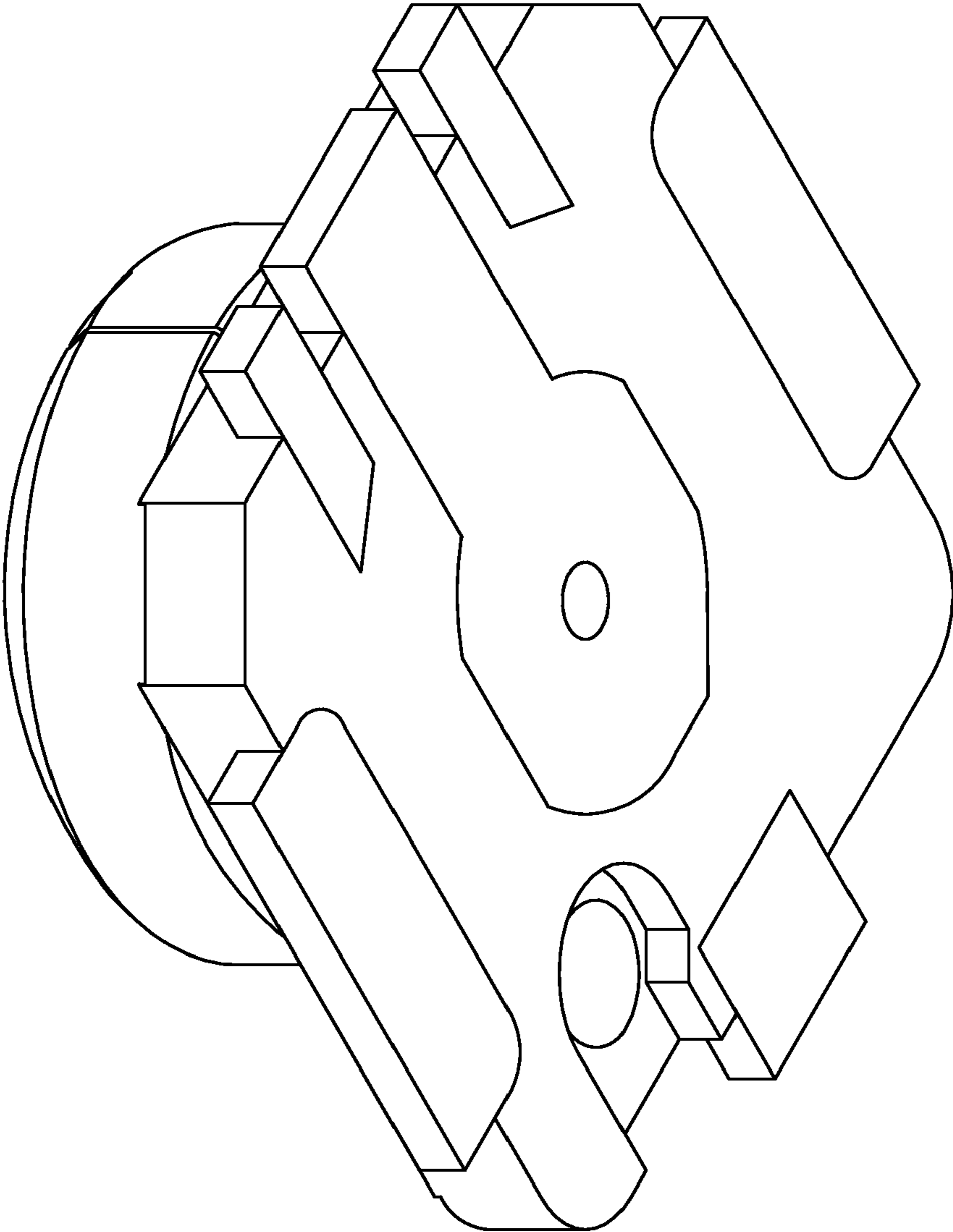


FIG. 2

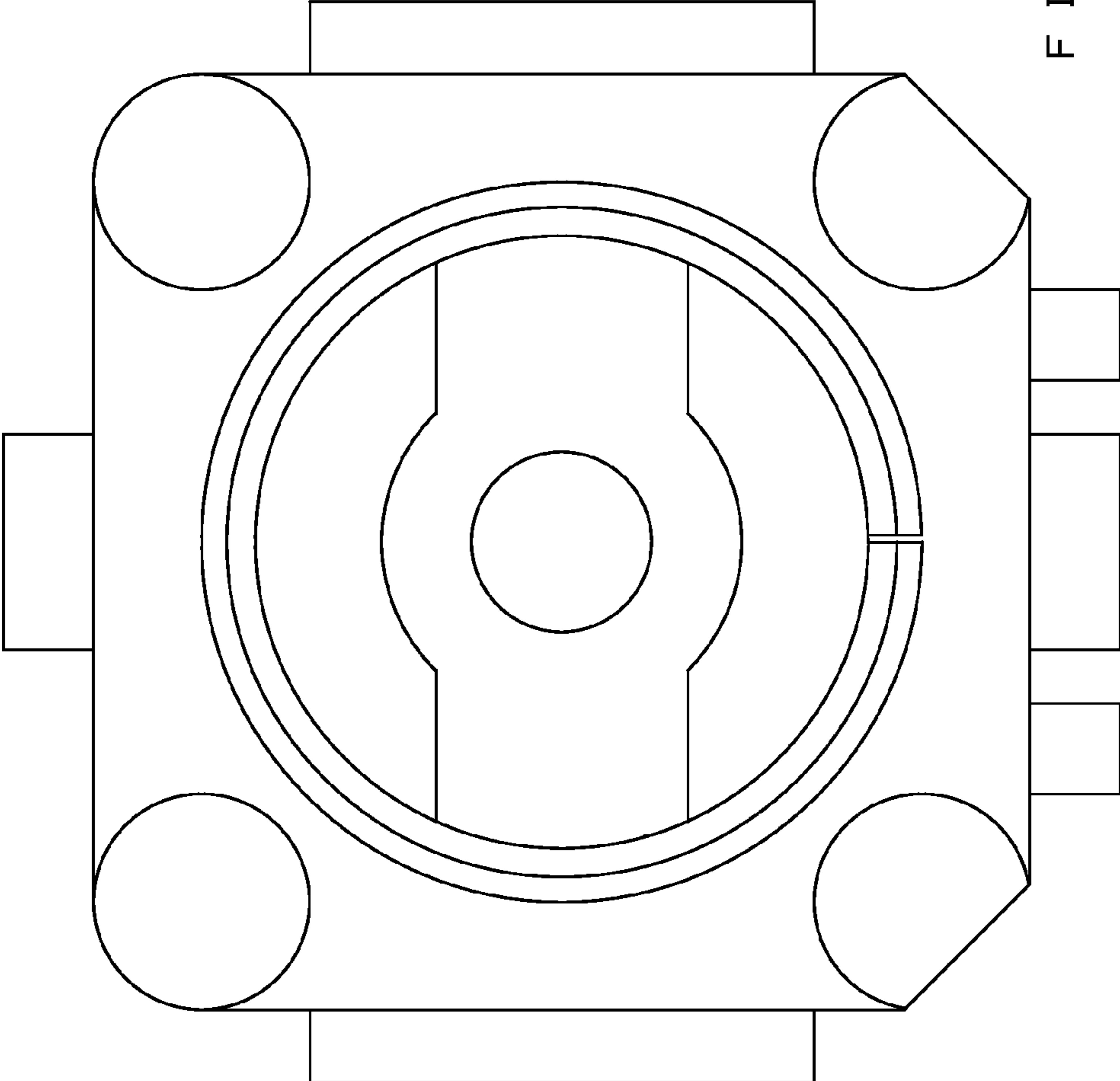


FIG. 3

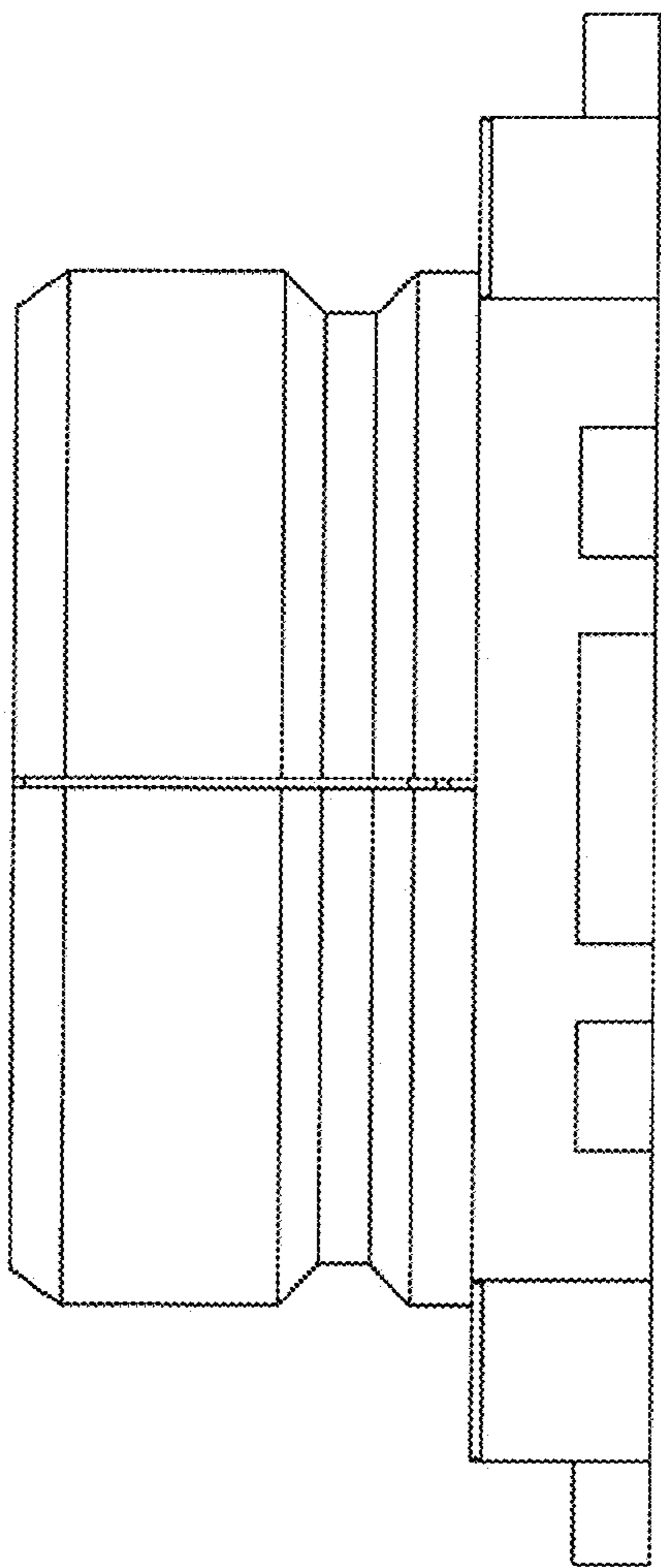


FIG. 4

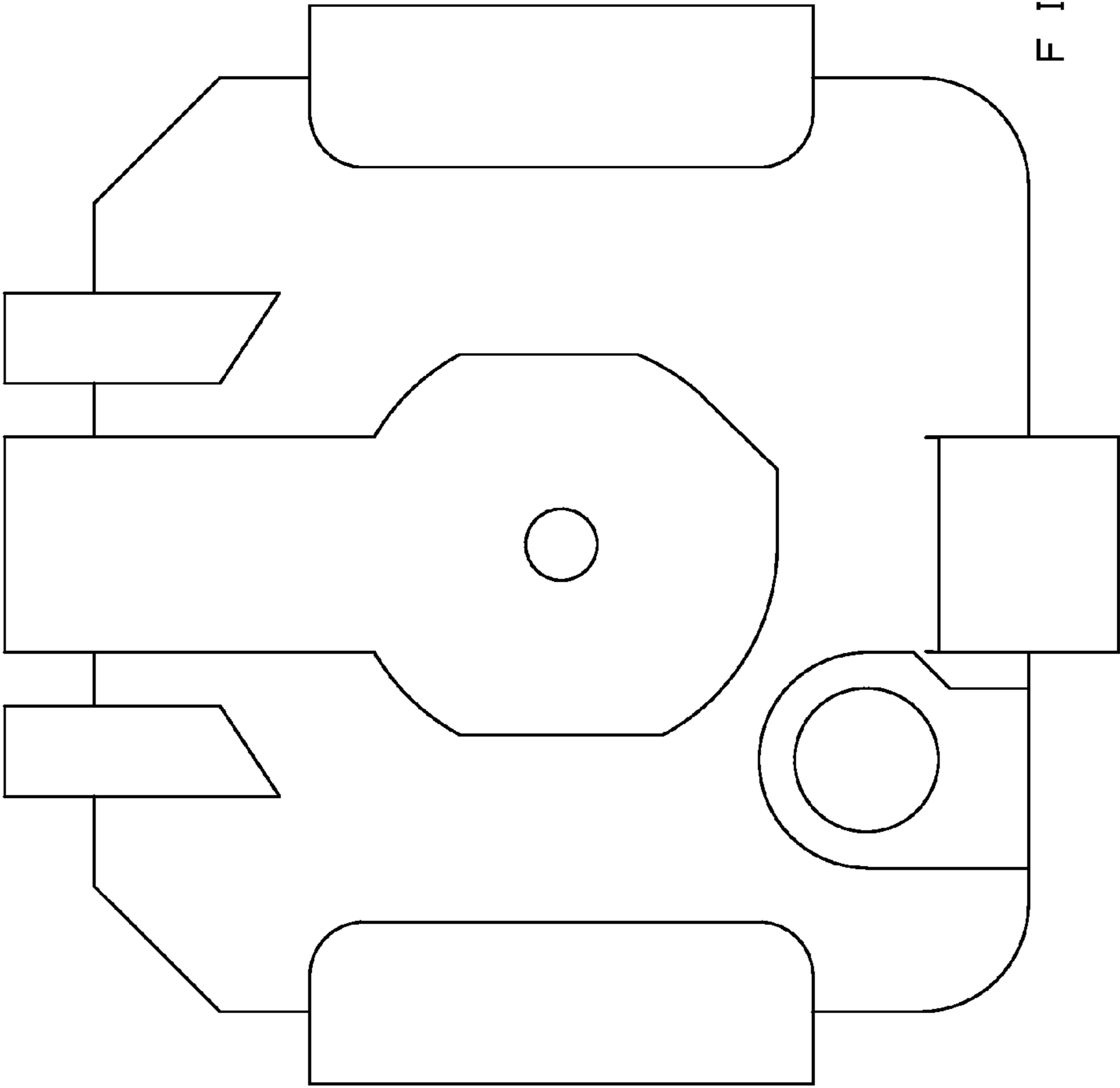


FIG. 5

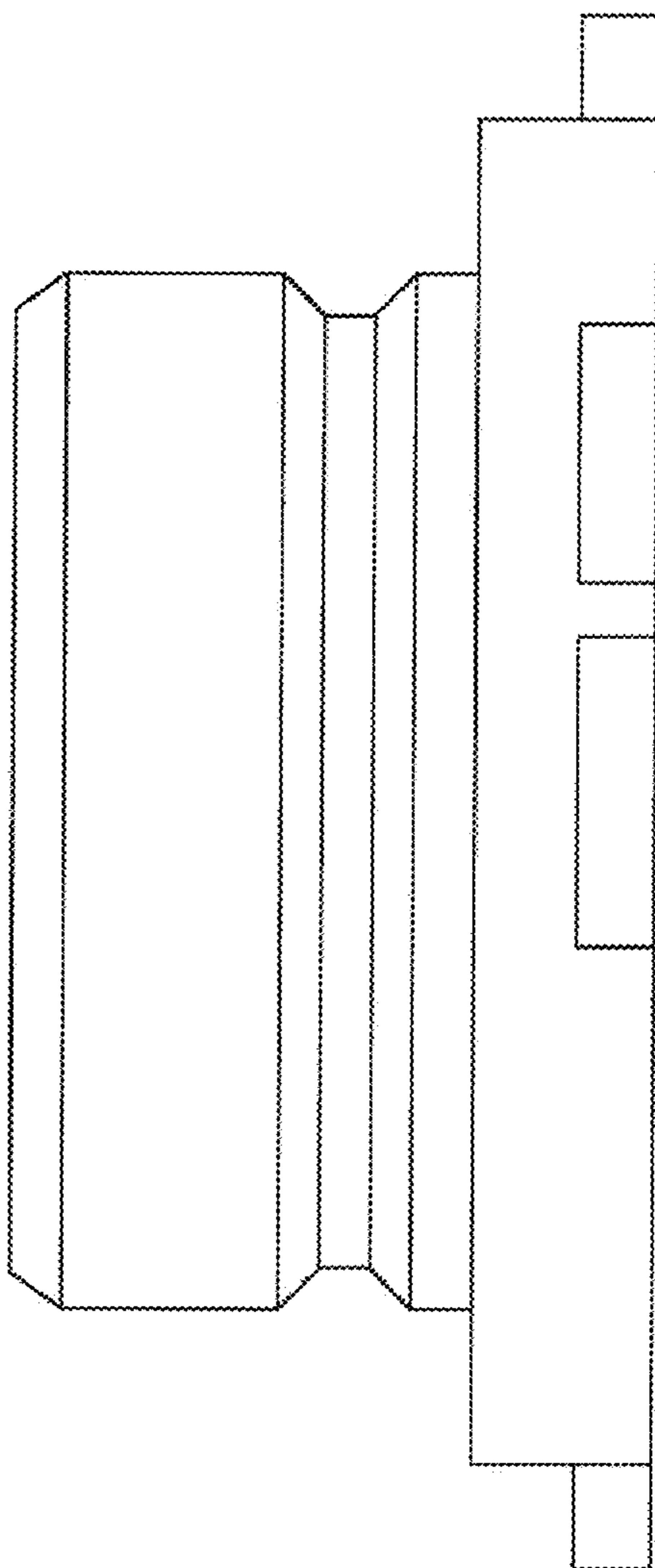


FIG. 6

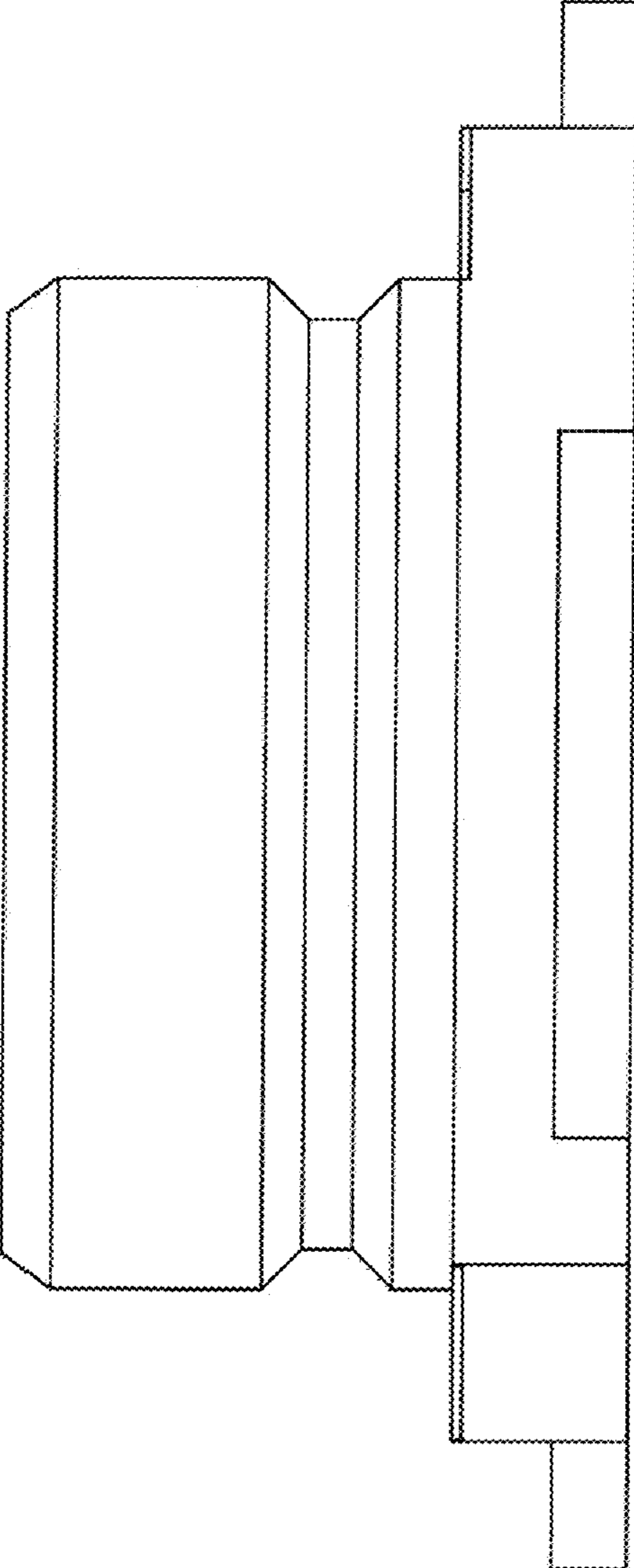


FIG. 7