



US00D674344S

(12) **United States Design Patent**  
**Bies**

(10) **Patent No.:** **US D674,344 S**  
(45) **Date of Patent:** **\*\* Jan. 15, 2013**

(54) **ELECTRICAL CONNECTOR**  
(75) Inventor: **Henryk Bies**, Sondershausen (DE)  
(73) Assignee: **WAGO Verwaltungsgesellschaft mbH**, Minden (DE)

D577,677 S \* 9/2008 Li et al. .... D13/133  
D578,487 S \* 10/2008 Han et al. .... D13/154  
D616,820 S \* 6/2010 Gong et al. .... D13/133  
D632,251 S \* 2/2011 Chen ..... D13/147  
D632,252 S \* 2/2011 Guo et al. .... D13/147  
D641,320 S \* 7/2011 Huang ..... D13/133

\* cited by examiner

(\*\*) Term: **14 Years**  
(21) Appl. No.: **29/383,404**  
(22) Filed: **Jan. 18, 2011**

*Primary Examiner* — Daniel Bui  
(74) *Attorney, Agent, or Firm* — Whitham Curtis Christofferson & Cook, PC

(30) **Foreign Application Priority Data**  
Jul. 19, 2010 (EM) ..... 001733239

(57) **CLAIM**  
The ornamental design for an electrical connector, as shown and described.

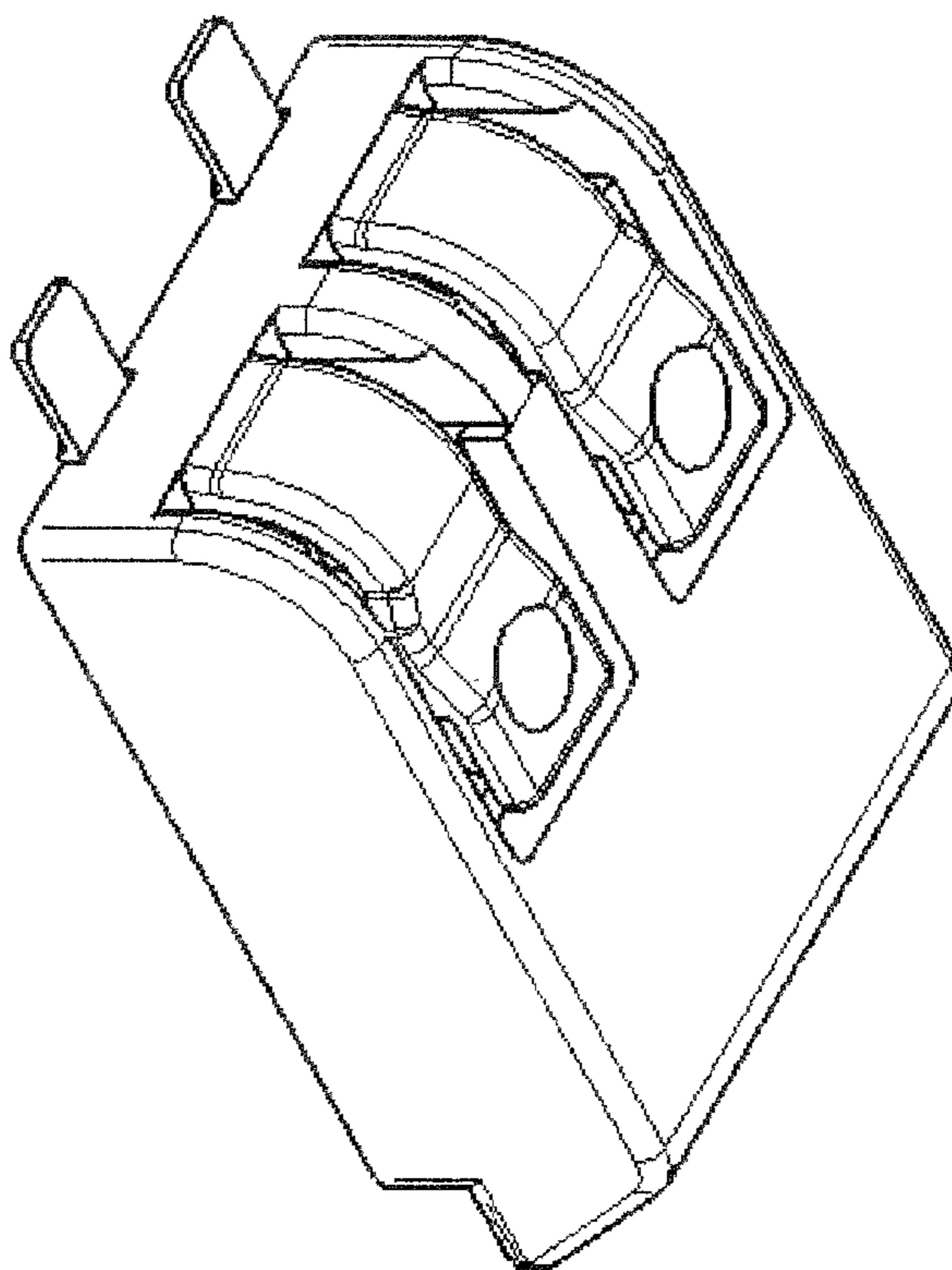
(51) **LOC (9) Cl.** ..... **13-03**  
(52) **U.S. Cl.** ..... **D13/133**  
(58) **Field of Classification Search** ..... D13/133, D13/147, 154, 184; 439/188, 278, 374, 378, 439/380, 527, 533, 607.01, 607.04, 607.05, 439/607.17, 607.25, 607.34, 607.41, 607.53, 439/668, 540.1, 541.5, 660, 892, 894, 939  
See application file for complete search history.

**DESCRIPTION**

FIG. 1 is a front elevation view of an electrical connector showing my new design;  
FIG. 2 is a bottom plan view thereof;  
FIG. 3 is a right side elevation view thereof;  
FIG. 4 is a left side elevation view thereof;  
FIG. 5 is a rear elevation view thereof;  
FIG. 6 is a top plan view thereof; and,  
FIG. 7 is a top, rear and side perspective view thereof.  
The broken line in FIGS. 1, 2, and 6 is included to show unclaimed environment only and forms no part of the claimed design.

(56) **References Cited**  
U.S. PATENT DOCUMENTS  
D431,528 S \* 10/2000 Zhu et al. .... D13/133  
D467,872 S \* 12/2002 Yeh ..... D13/133  
D558,674 S \* 1/2008 Lin et al. .... D13/133  
D558,678 S \* 1/2008 Han et al. .... D13/154

**1 Claim, 7 Drawing Sheets**



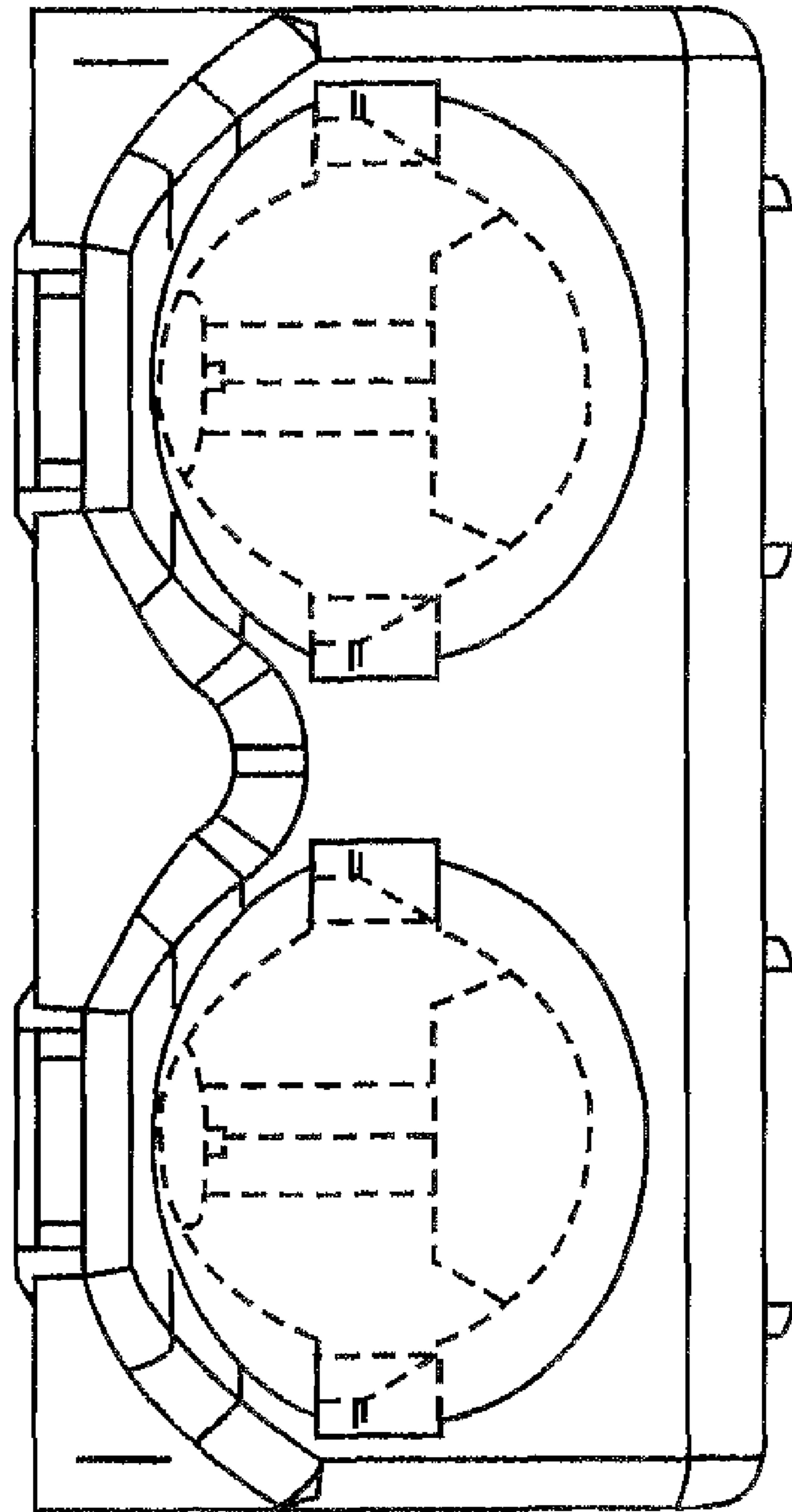


FIGURE 1

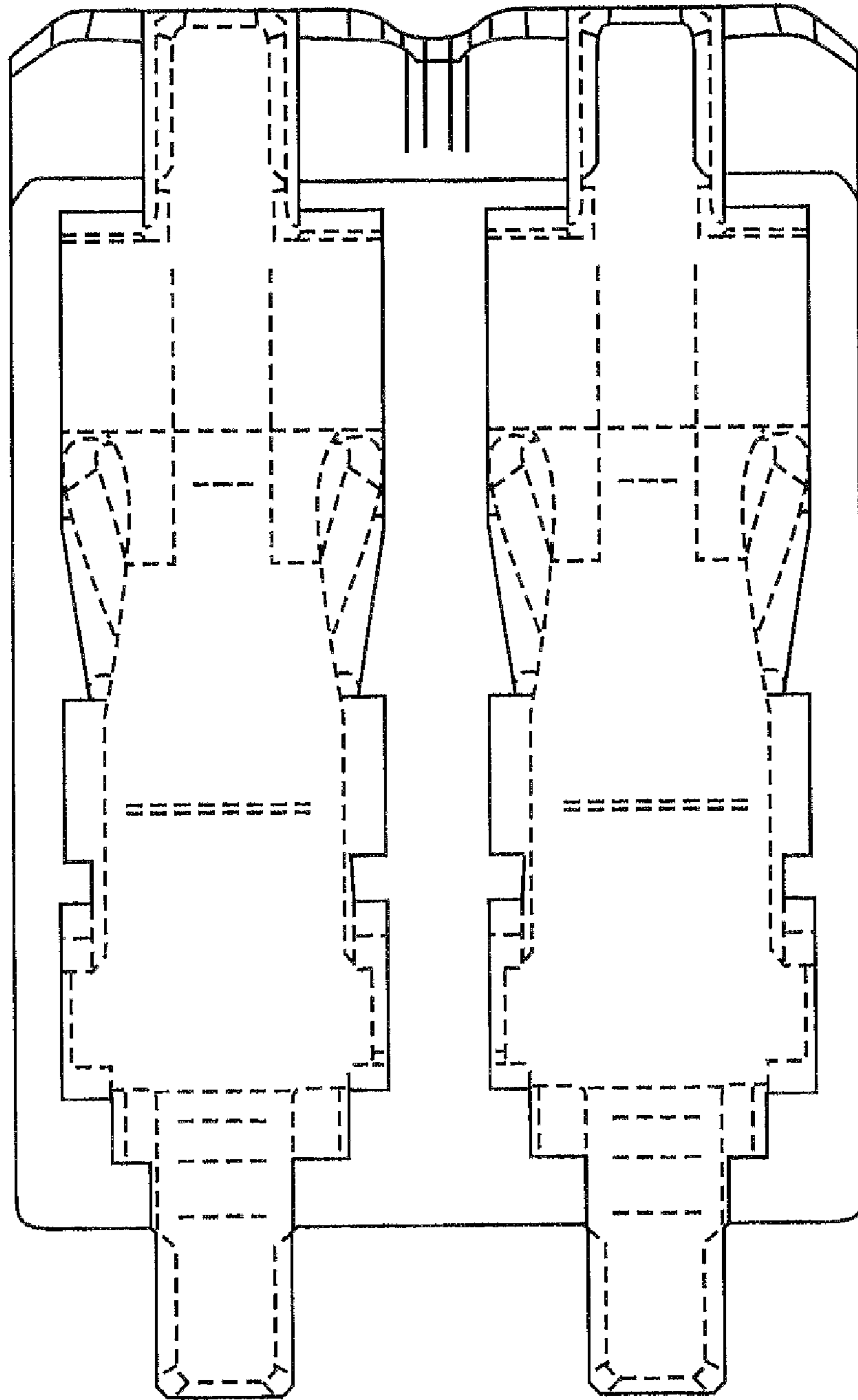


FIGURE 2

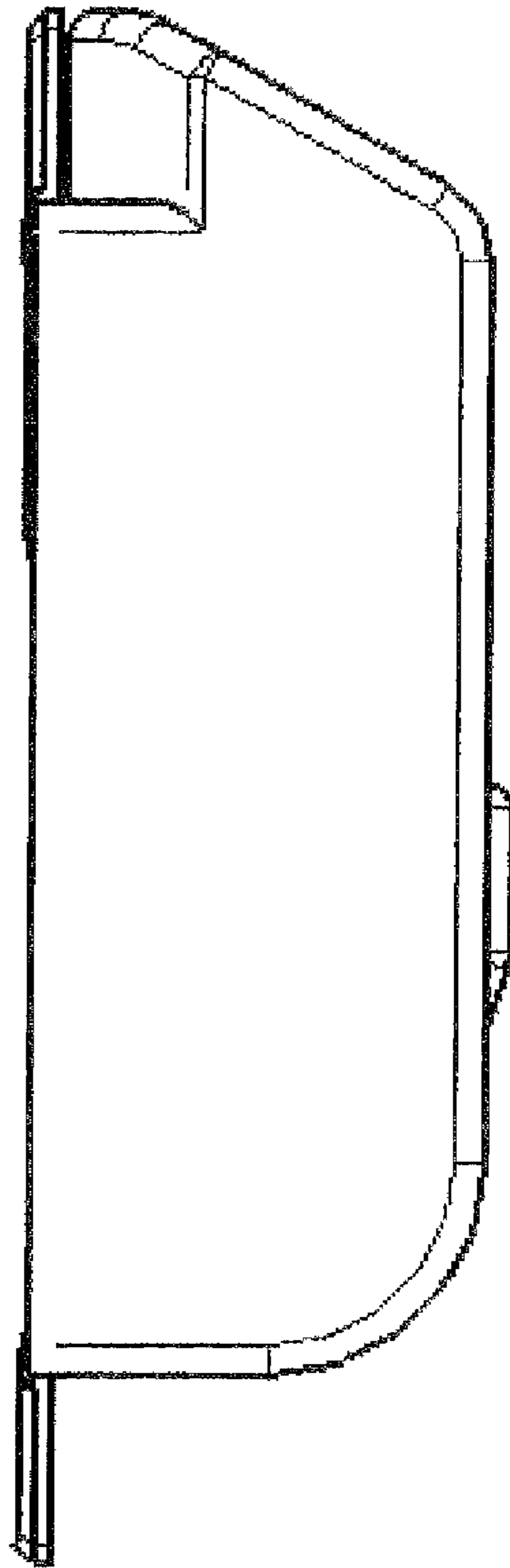


FIGURE 3

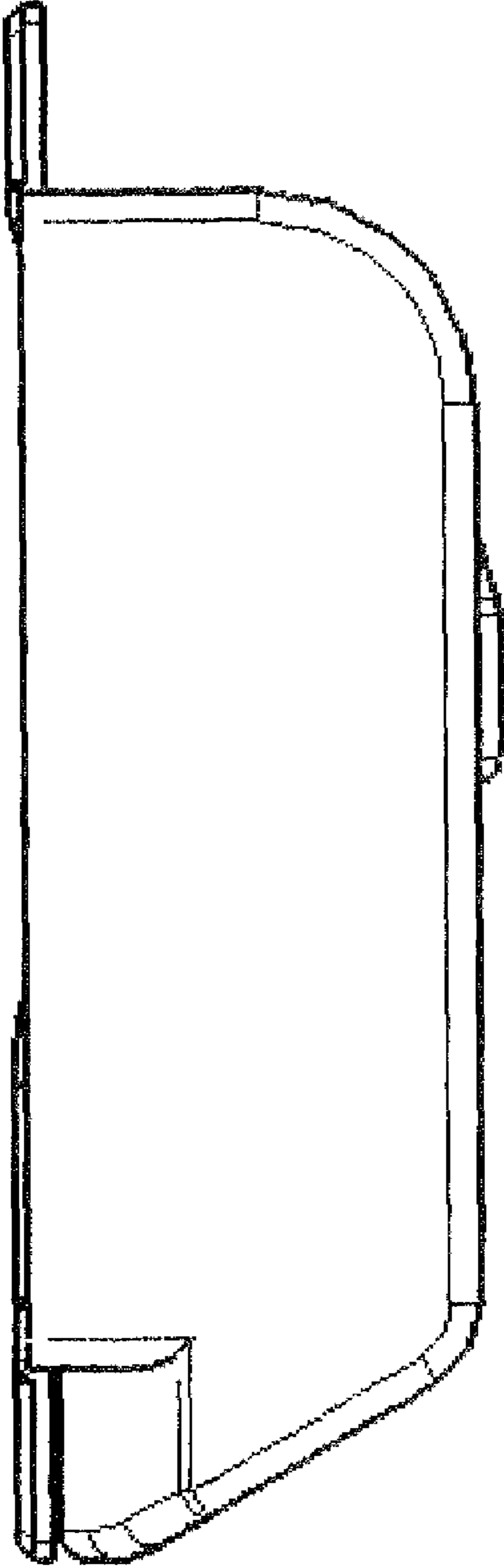


FIGURE 4

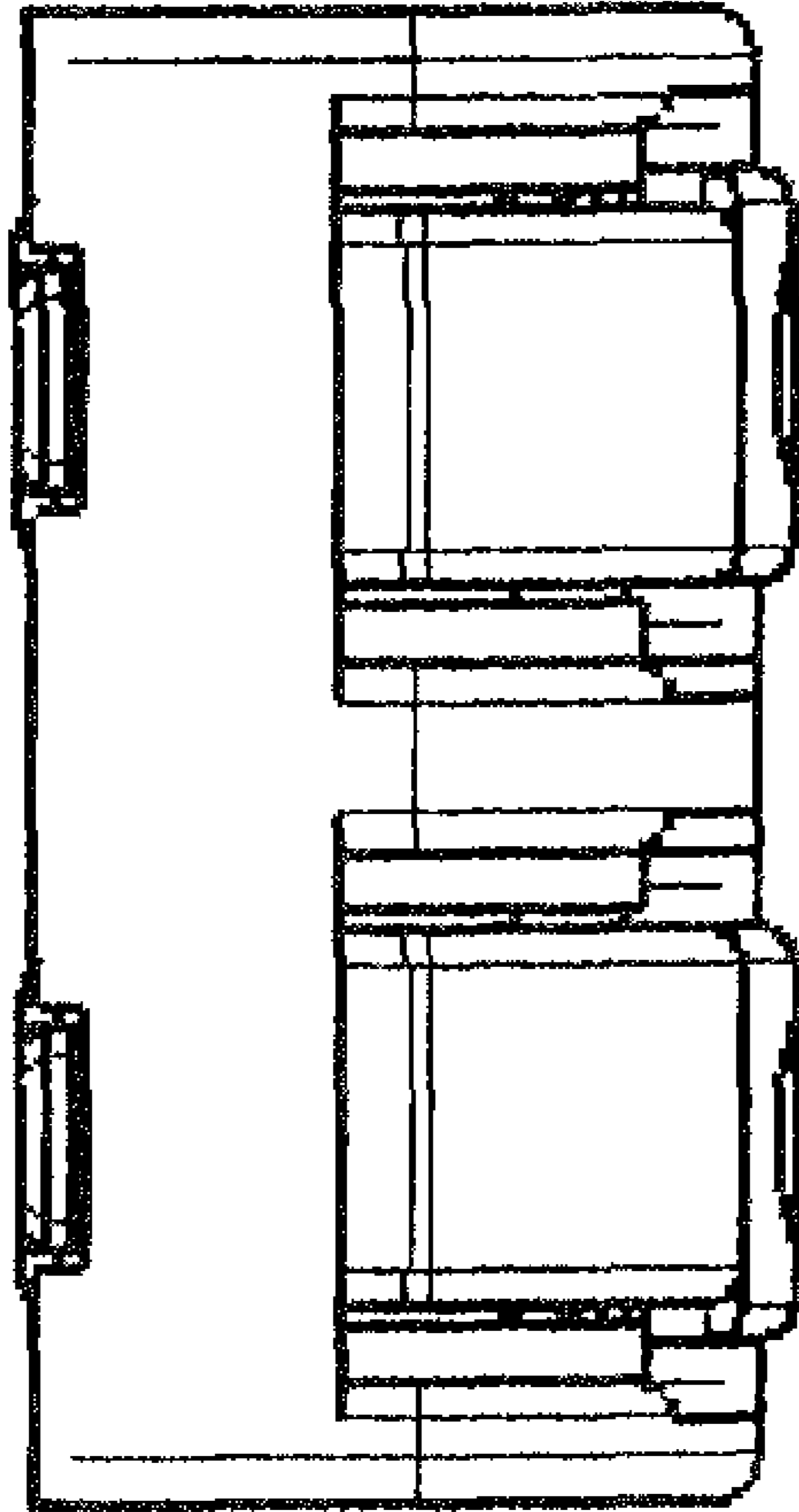


FIGURE 5

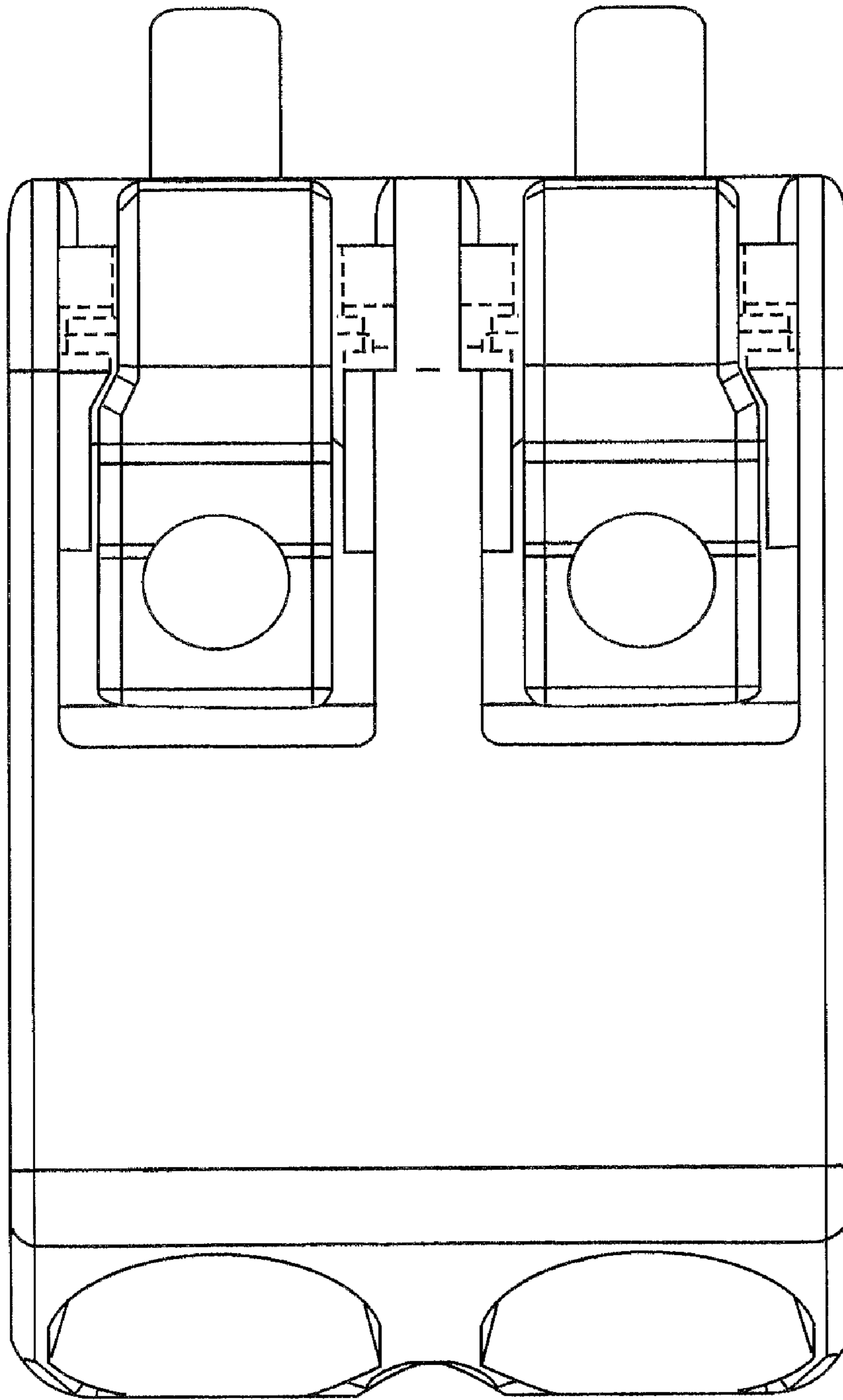


FIGURE 6

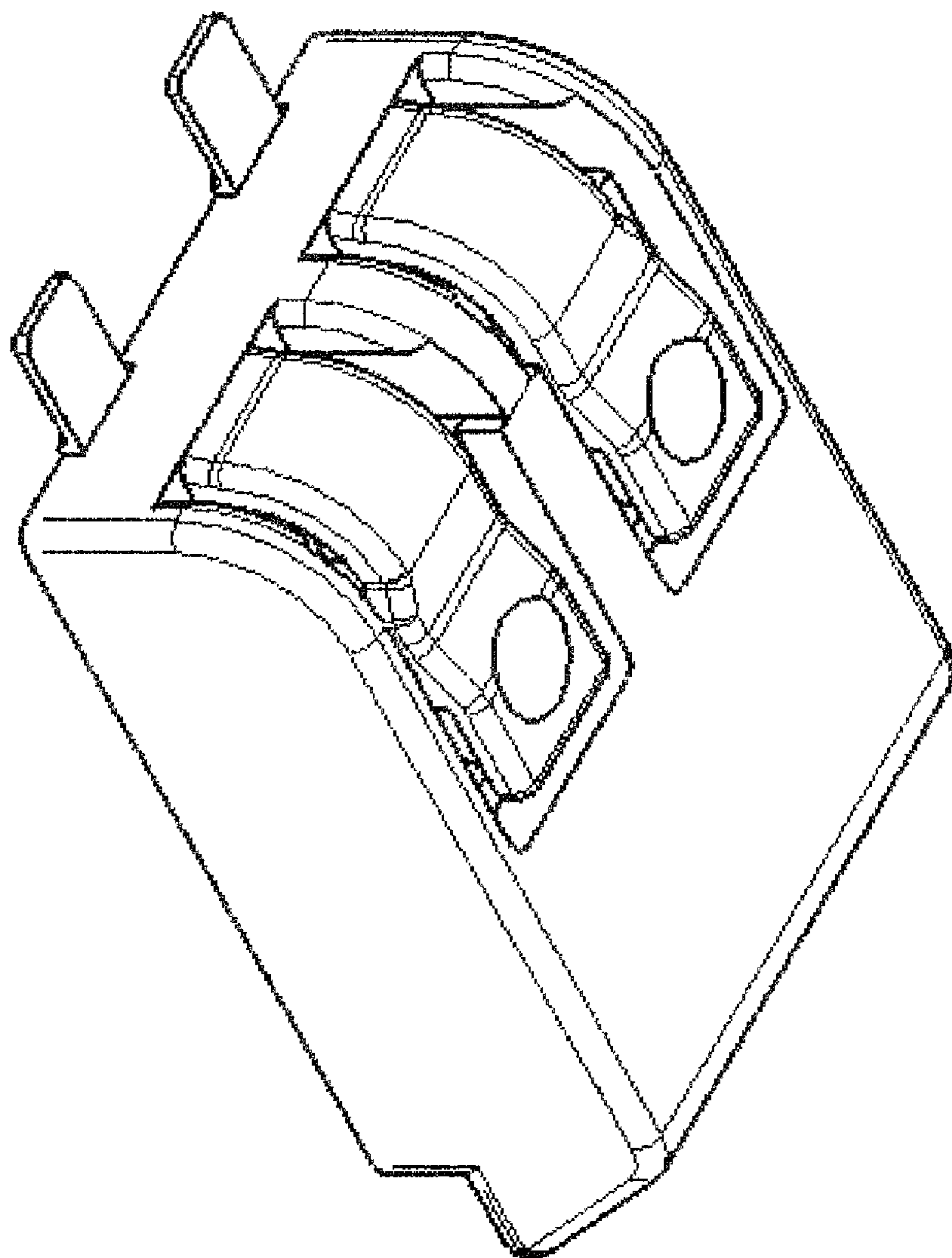


FIGURE 7