



US00D674343S

(12) **United States Design Patent**
Chen

(10) **Patent No.:** **US D674,343 S**

(45) **Date of Patent:** **** Jan. 15, 2013**

- (54) **REMOTE-CONTROLLED SERVO**
- (75) Inventor: **Chih-Feng Chen, Yilan (TW)**
- (73) Assignee: **MARK STAR Servo-tech Co., Ltd., Yilan County (TW)**
- (**) Term: **14 Years**
- (21) Appl. No.: **29/409,135**
- (22) Filed: **Dec. 20, 2011**
- (51) **LOC (9) Cl.** **13-01**
- (52) **U.S. Cl.** **D13/112**
- (58) **Field of Classification Search** D13/112, D13/113, 114, 122, 199; D15/3, 5, 148, D15/149, 199; 74/89.22, 609; 310/31, 40 R, 310/71, 80, 83, 85, 88, 91; 318/560, 567, 318/630, 632, 652, 671, 685; 322/16, 39
See application file for complete search history.

D597,943 S *	8/2009	Lin et al.	D13/112
7,671,497 B2 *	3/2010	Petty 310/75 R	
2004/0160133 A1 *	8/2004	Jinno et al.	310/31
2009/0066176 A1 *	3/2009	Petty 310/83	
2011/0011077 A1 *	1/2011	Kozuka et al.	60/445
2012/0139468 A1 *	6/2012	Petty 318/652	

* cited by examiner

Primary Examiner — Selina Sikder

(57) **CLAIM**

I claim the ornamental design for remote-controlled servo, as shown and described.

DESCRIPTION

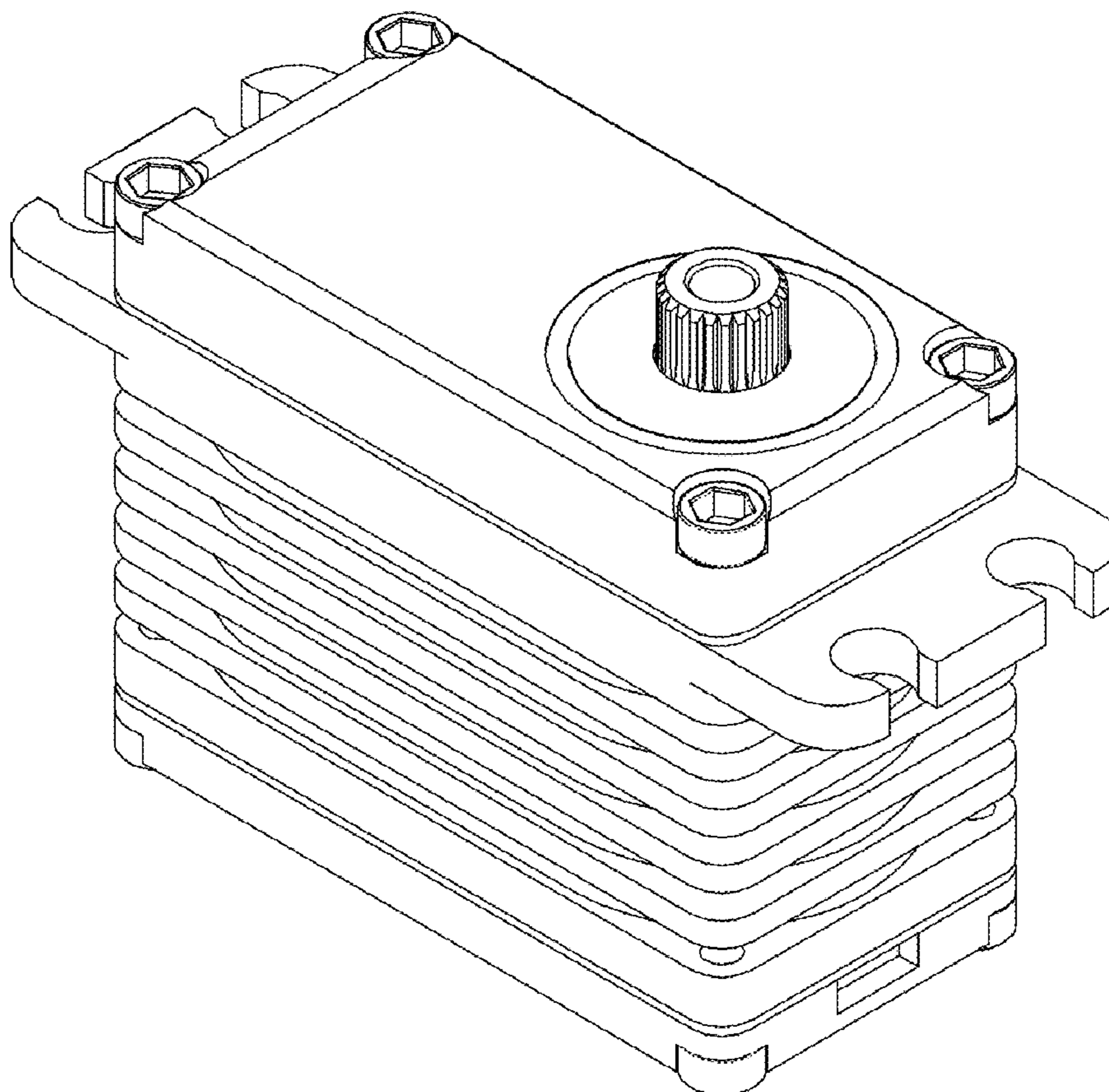
FIG. 1 is a three-dimensional view of an embodiment of remote controlled servo showing my new design;
 FIG. 2 is a right side elevational view of the embodiment;
 FIG. 3 is a top plan view of the embodiment;
 FIG. 4 is a front elevational view of the embodiment;
 FIG. 5 is a bottom plan view of the embodiment;
 FIG. 6 is a left side elevational view of the embodiment; and,
 FIG. 7 is a rear elevational view of the embodiment.

1 Claim, 4 Drawing Sheets

(56) **References Cited**

U.S. PATENT DOCUMENTS

7,243,562 B2 *	7/2007	Enright	74/89.22
D573,091 S *	7/2008	Shih et al.	D13/112



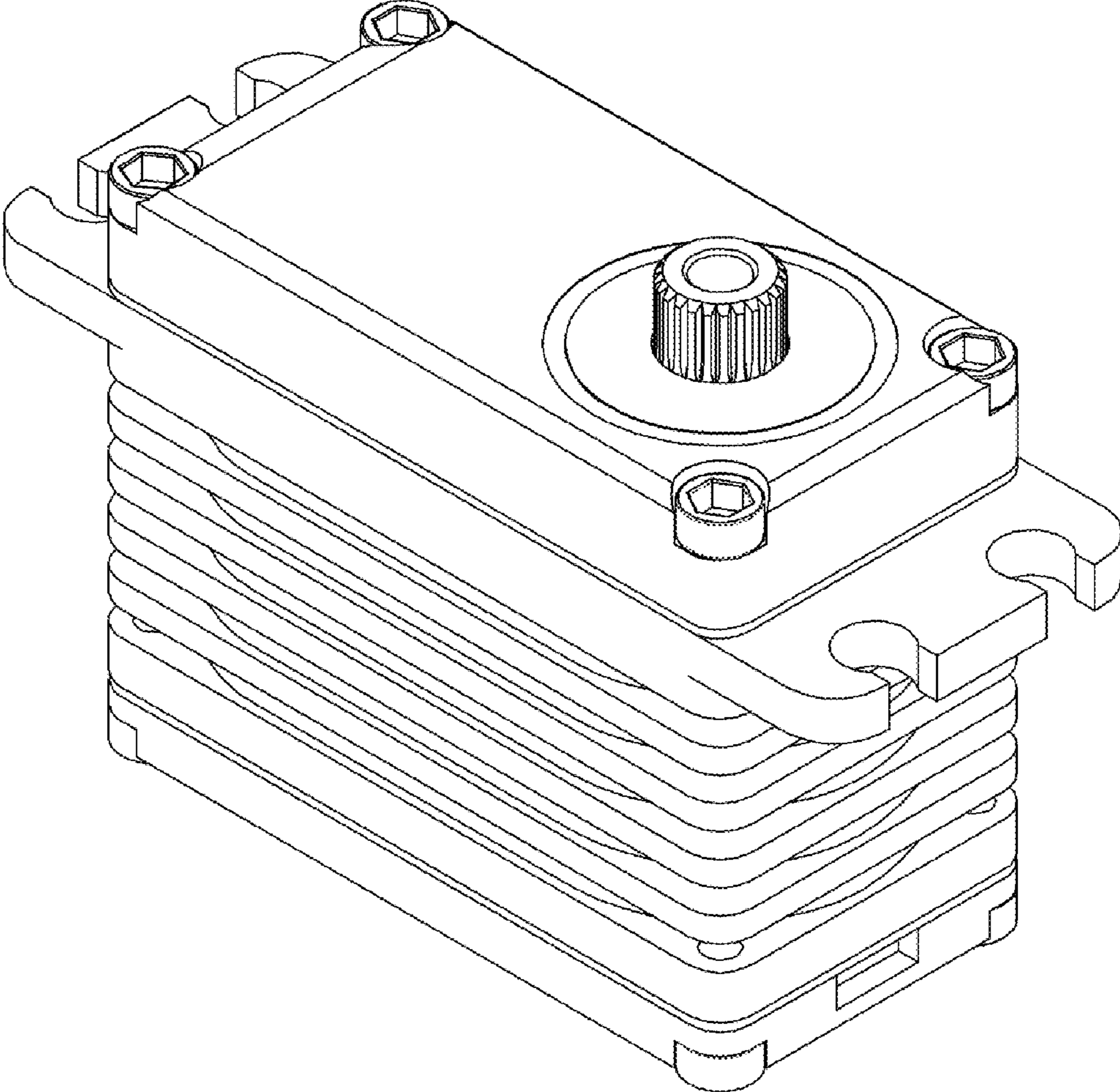


FIG. 1

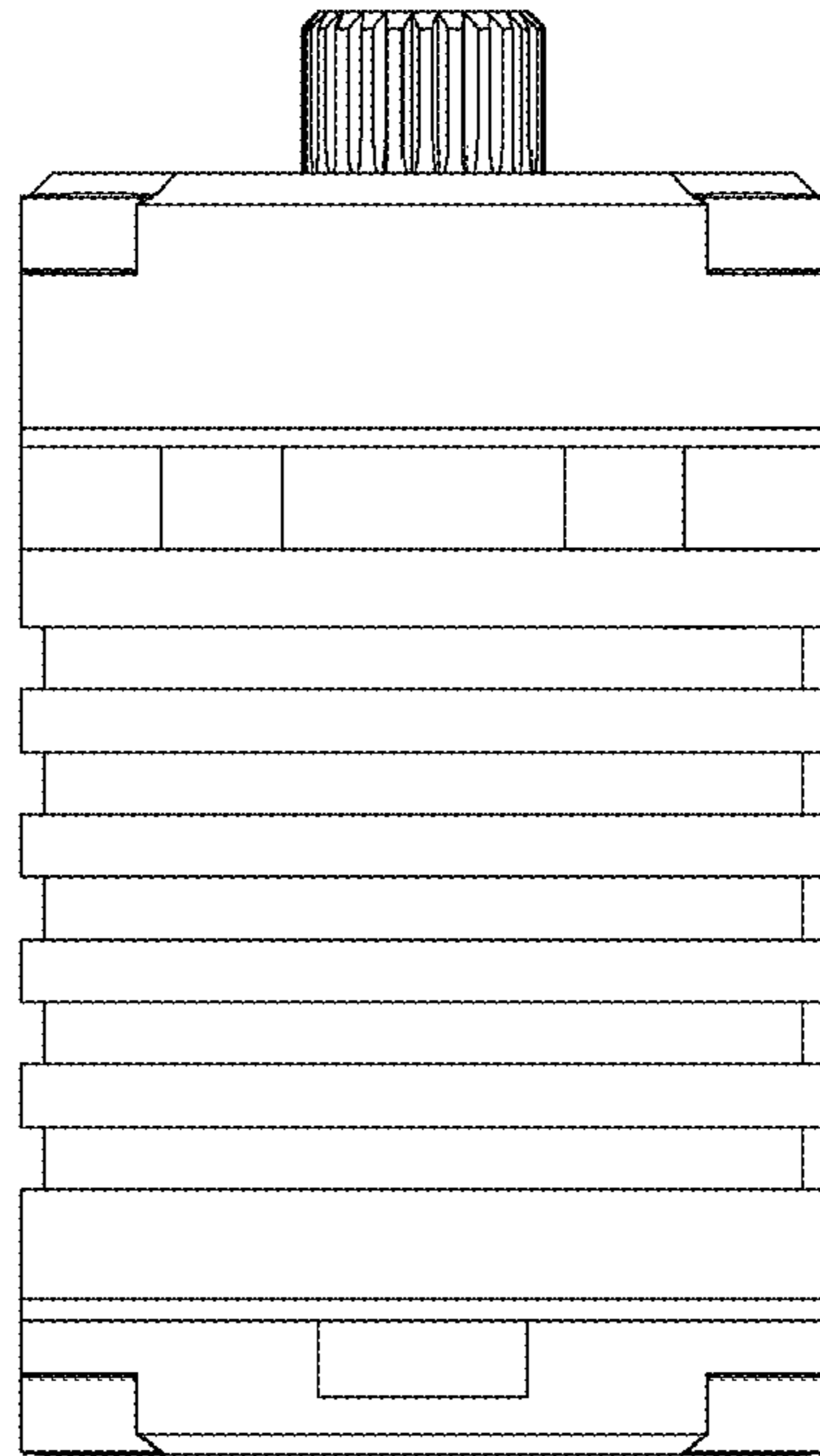


FIG. 2

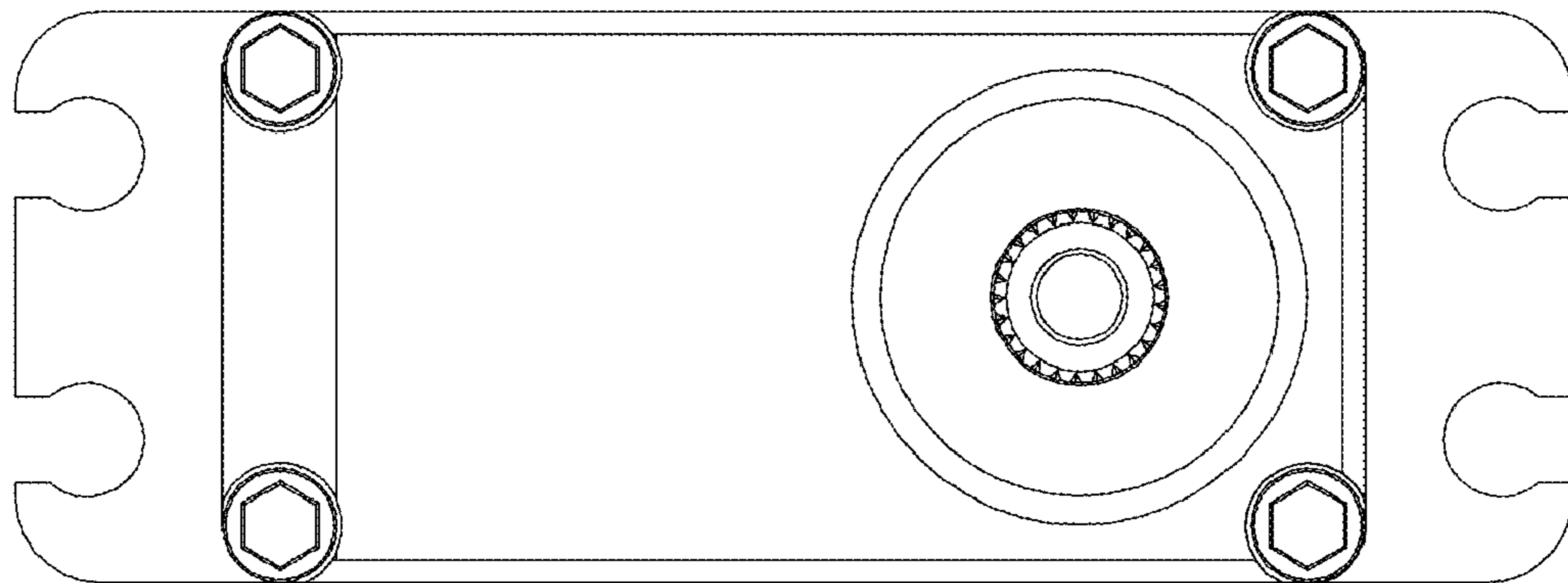


FIG. 3

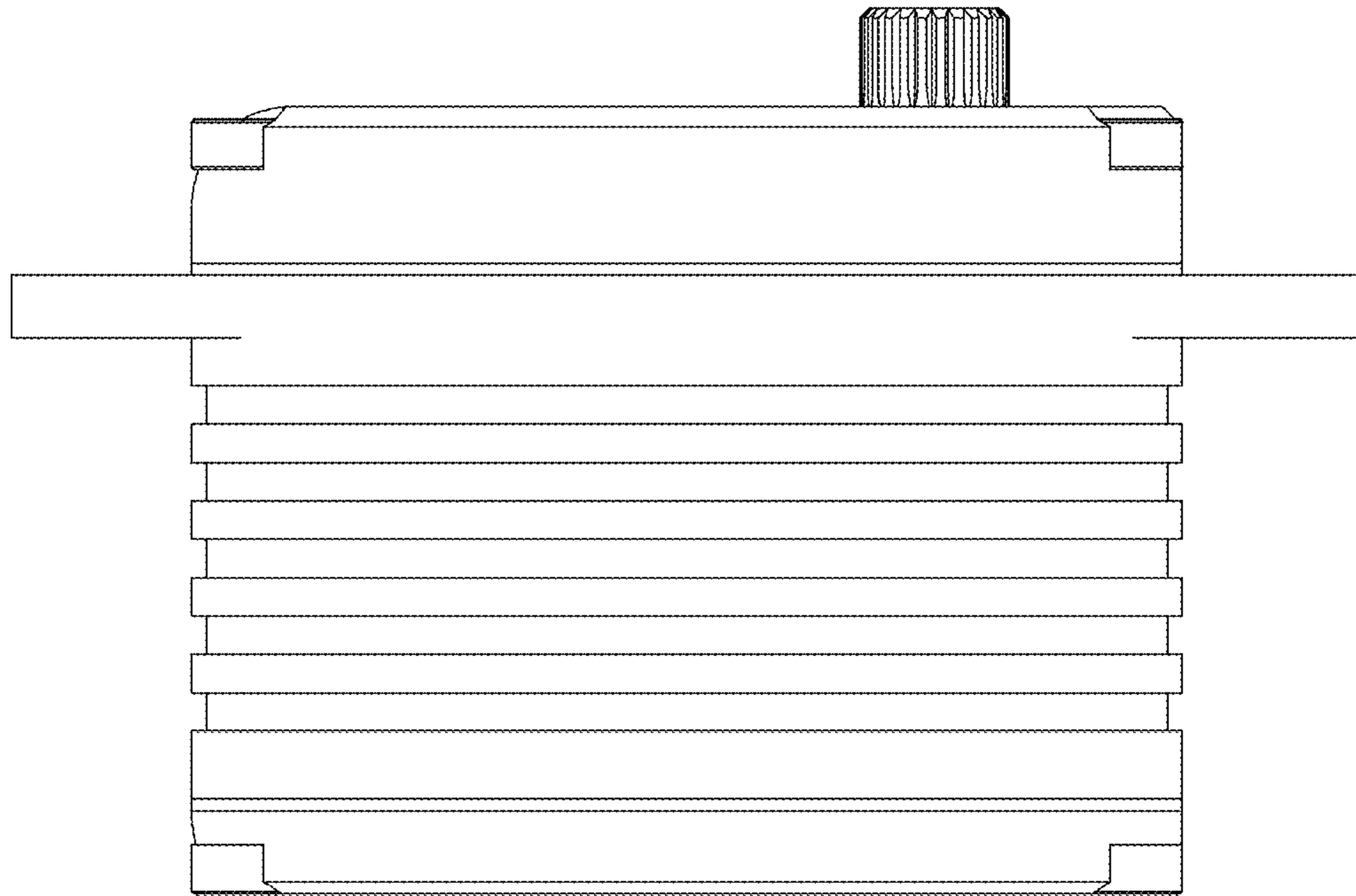


FIG. 4

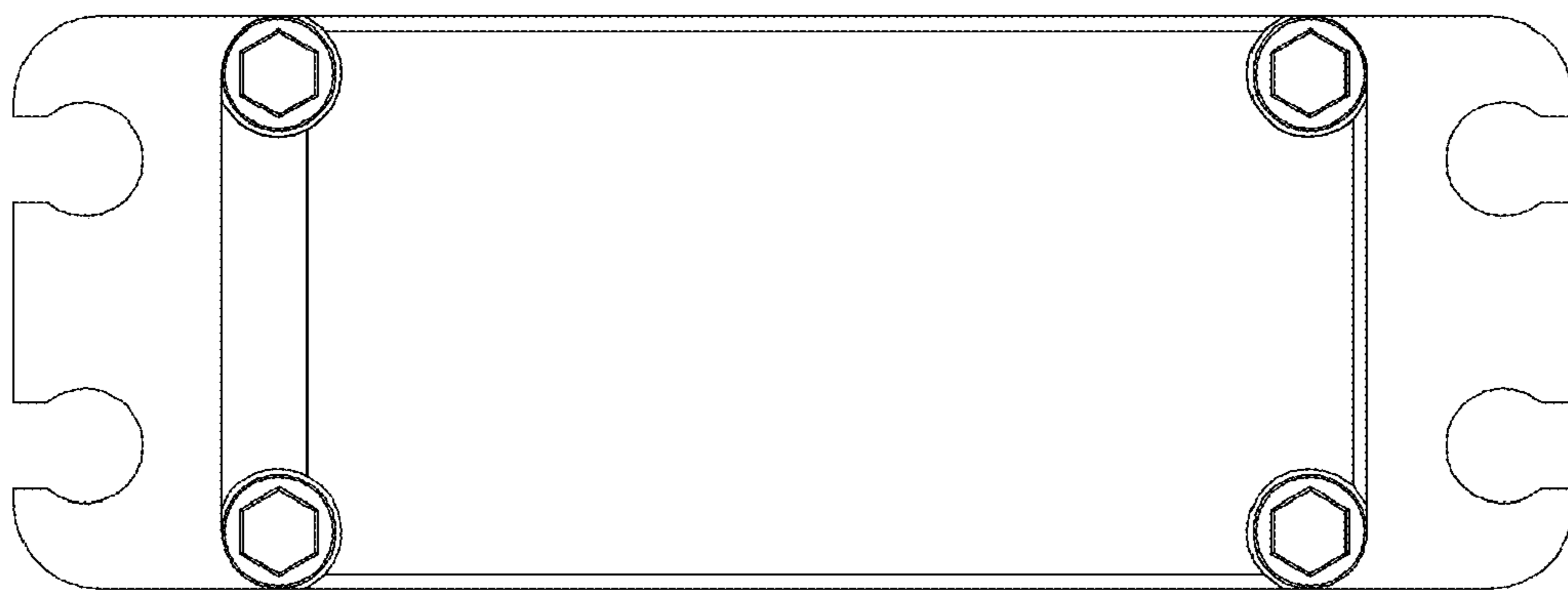


FIG. 5

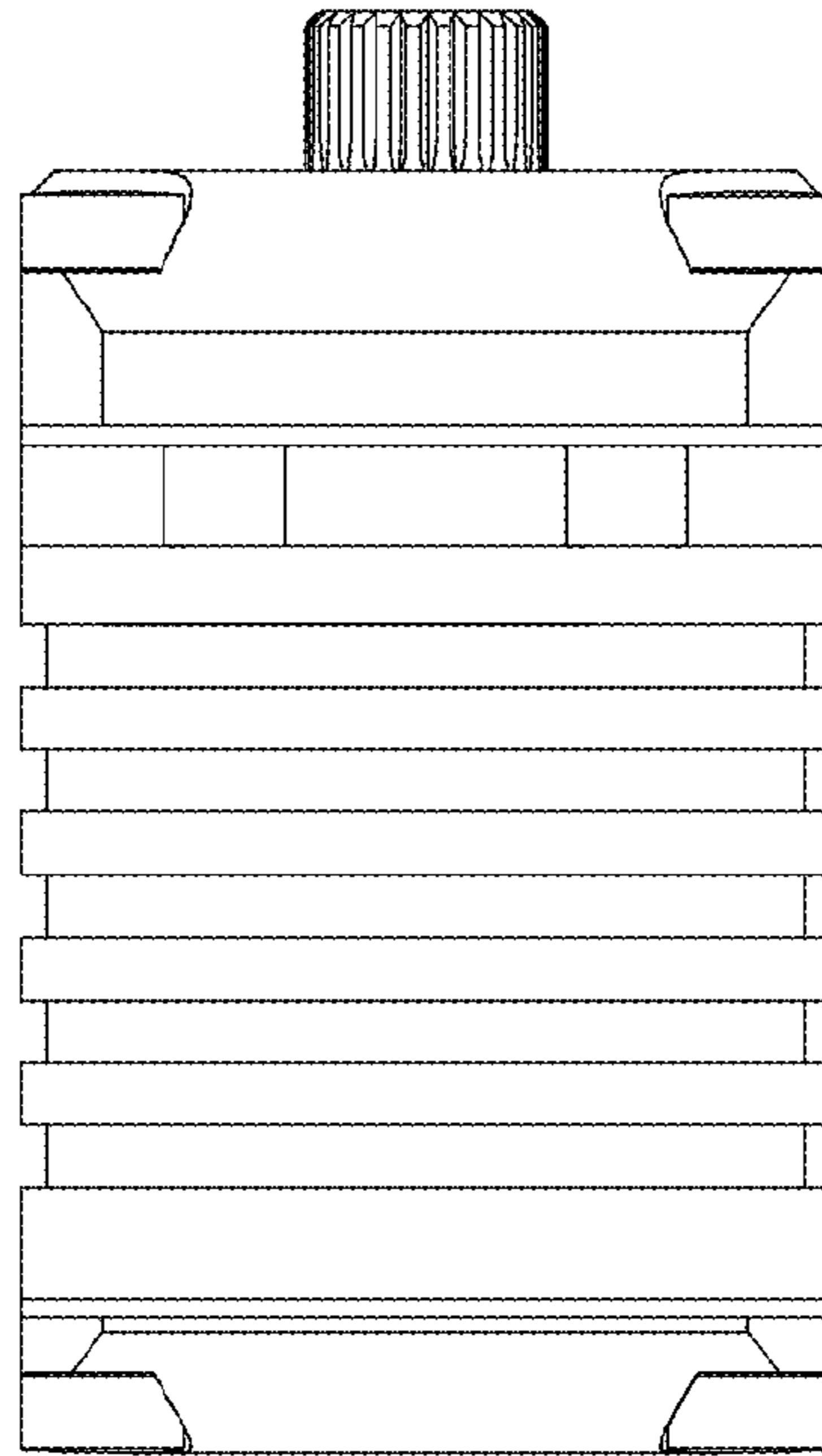


FIG. 6

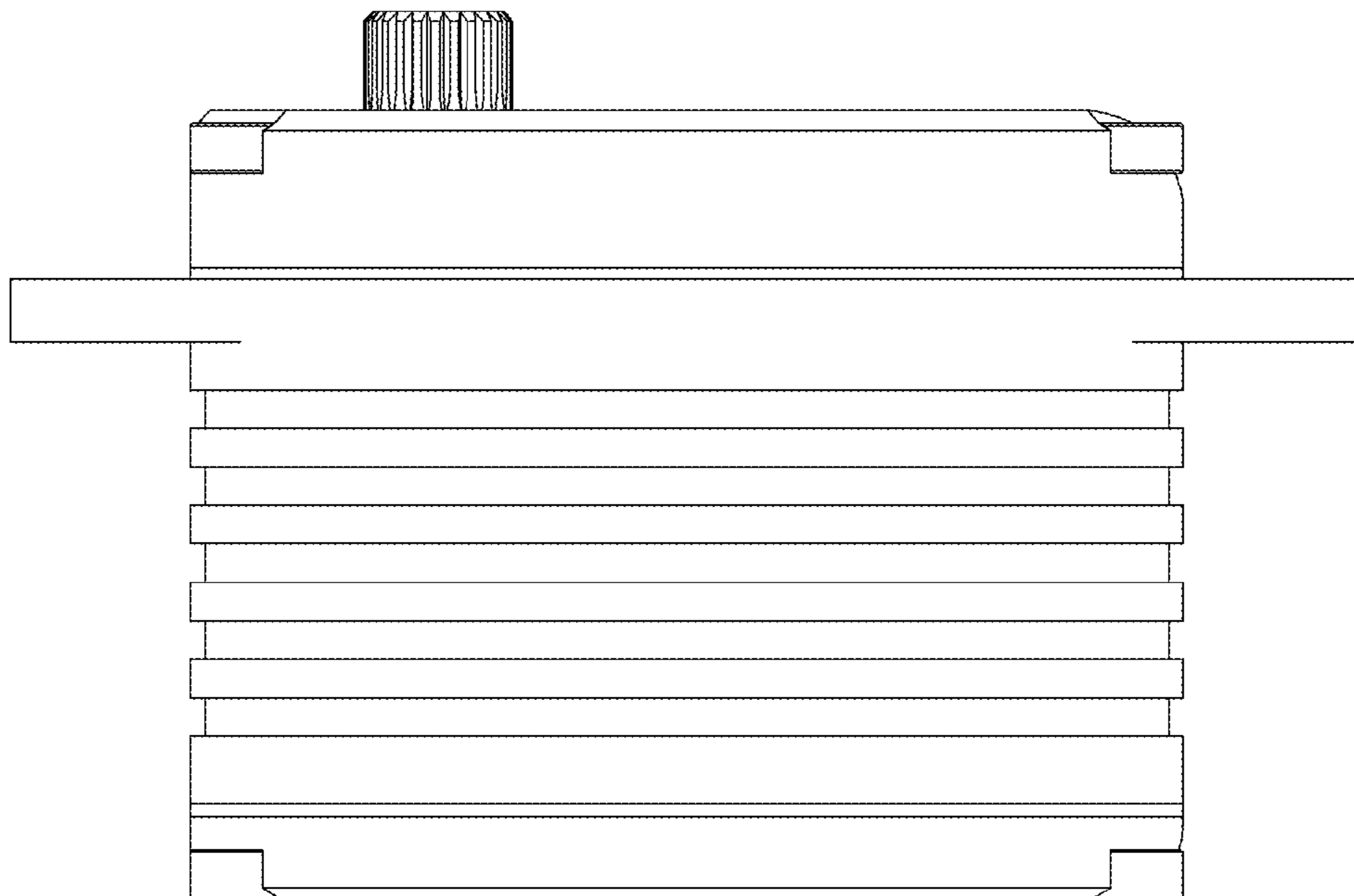


FIG. 7