



US00D674342S

(12) **United States Design Patent**
Ho

(10) **Patent No.:** **US D674,342 S**
(45) **Date of Patent:** **** Jan. 15, 2013**

(54) **POWER SUPPLY**

(75) Inventor: **Ming-Ling Ho**, New Taipei (TW)

(73) Assignee: **Acer Incorporated**, New Taipei (TW)

(**) Term: **14 Years**

(21) Appl. No.: **29/427,496**

(22) Filed: **Jul. 19, 2012**

(30) **Foreign Application Priority Data**

May 14, 2012 (TW) 101302763

(51) **LOC (9) Cl.** **13-02**

(52) **U.S. Cl.** **D13/110**

(58) **Field of Classification Search** D13/110,
D13/103, 107, 108, 118, 119, 123, 133, 137.1,
D13/184, 199; D14/240, 251, 356, 432,
D14/433, 434; 174/53, 54, 59, 61; 307/11,
307/150, 151; 320/107, 111, 112, 113, 114,
320/115; 361/679.01; 363/142, 146; 439/131,
439/172, 626, 628, 638

See application file for complete search history.

(56) **References Cited**

U.S. PATENT DOCUMENTS

D465,453 S * 11/2002 Chan D13/110
D491,523 S * 6/2004 Chi et al. D13/110

D491,563 S * 6/2004 Sato et al. D14/433
D568,814 S * 5/2008 Hung D13/123
D615,035 S * 5/2010 Farris-Gilbert D13/110
D615,492 S * 5/2010 Mibayashi D13/110
D632,649 S * 2/2011 Scheucher et al. D13/110

* cited by examiner

Primary Examiner — Derrick Holland

(74) *Attorney, Agent, or Firm* — Jianq Chyun IP Office

(57) **CLAIM**

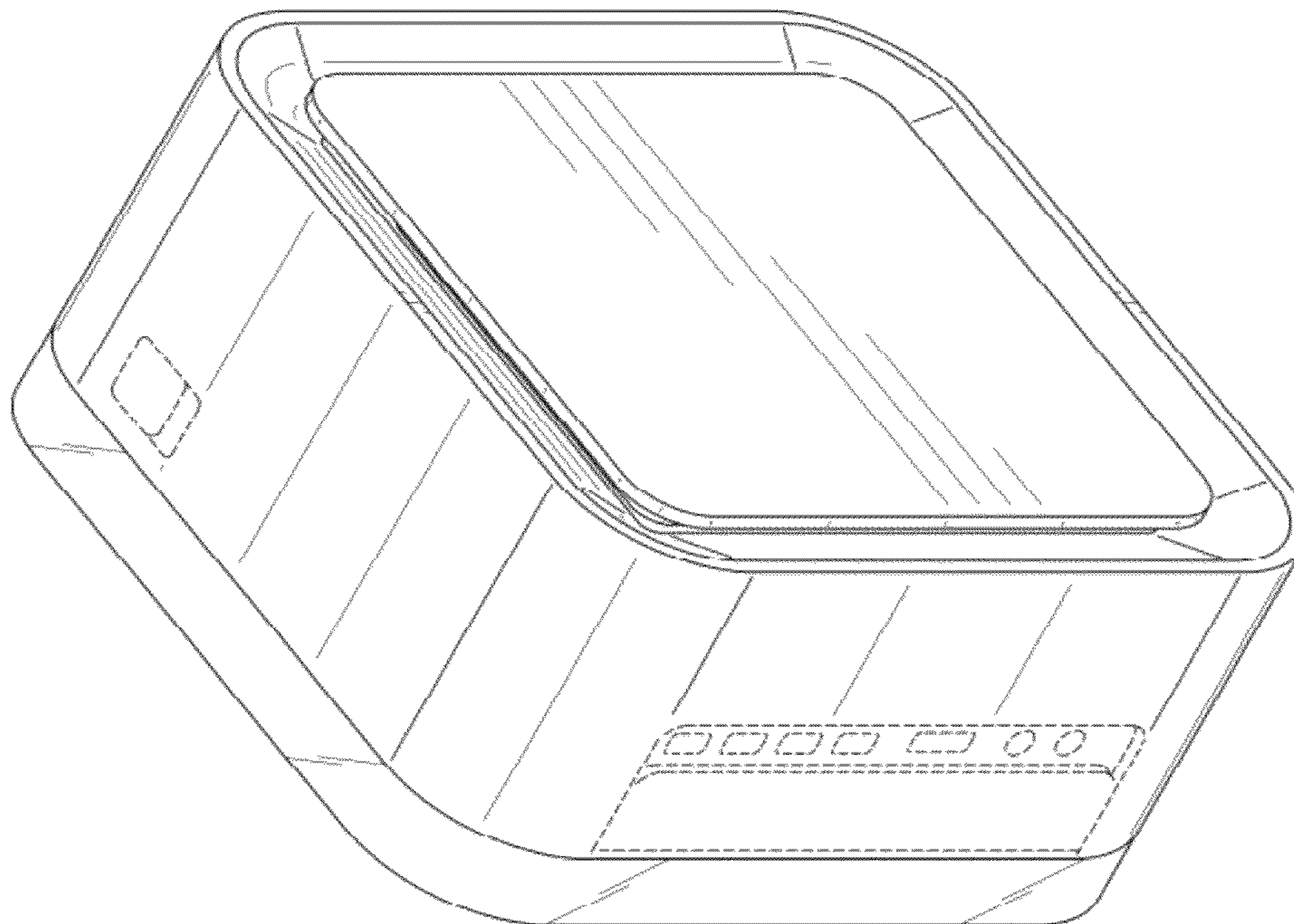
The ornamental design for a power supply, as shown and described.

DESCRIPTION

FIG. 1 is a top and front perspective view of a power supply showing my new design;
FIG. 2 is a bottom and left side perspective view thereof;
FIG. 3 is a front elevation view thereof;
FIG. 4 is a rear elevation view thereof;
FIG. 5 is a left side elevation view thereof, the right side elevation view being a mirror image;
FIG. 6 is a top plan view thereof;
FIG. 7 is a bottom plan view thereof; and,
FIG. 8 is a perspective view thereof, shown in environmental use.

The broken line portions of the power supply in all views represent unclaimed portions of the claimed design and form no part thereof.

1 Claim, 7 Drawing Sheets



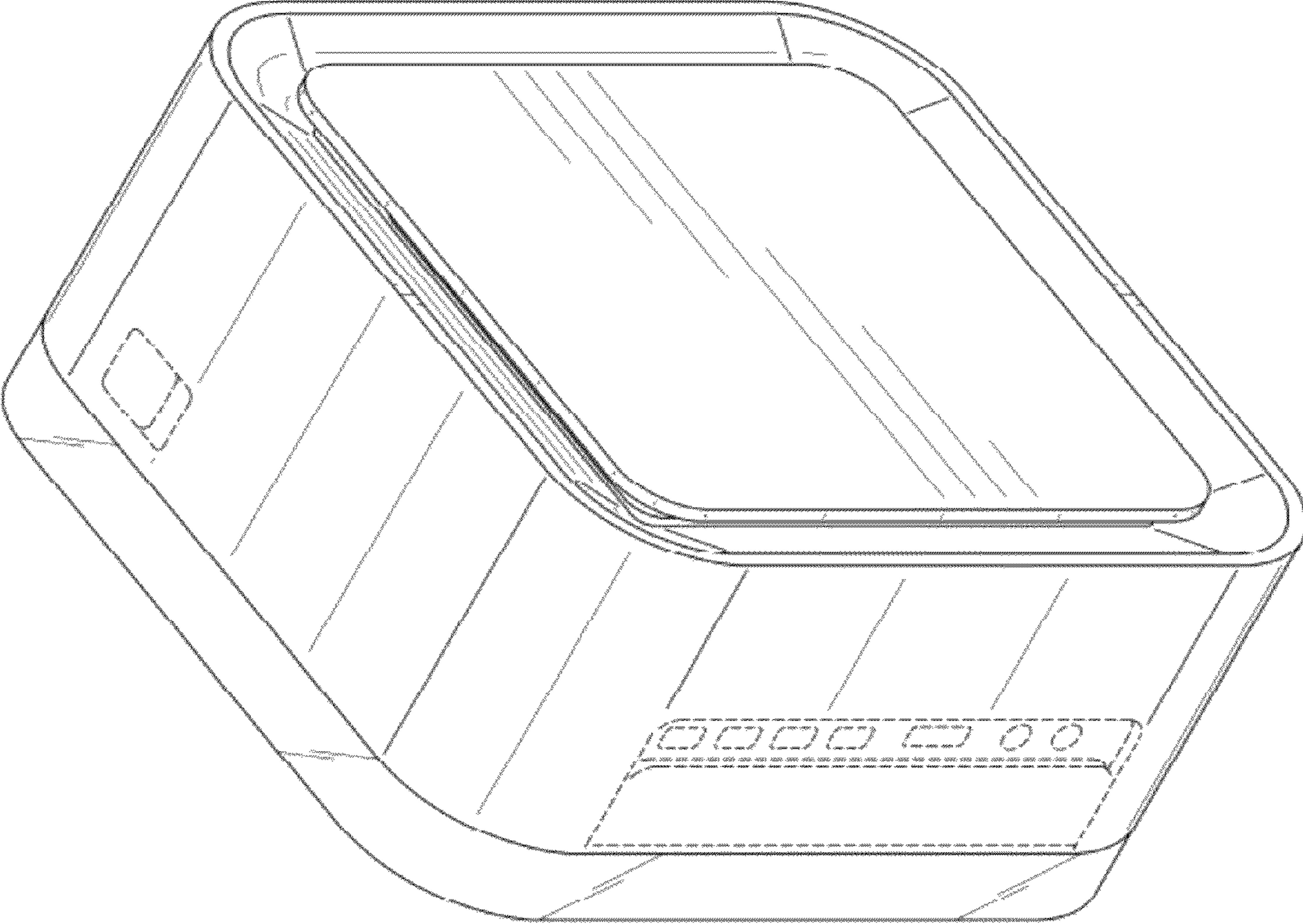


FIG. 1

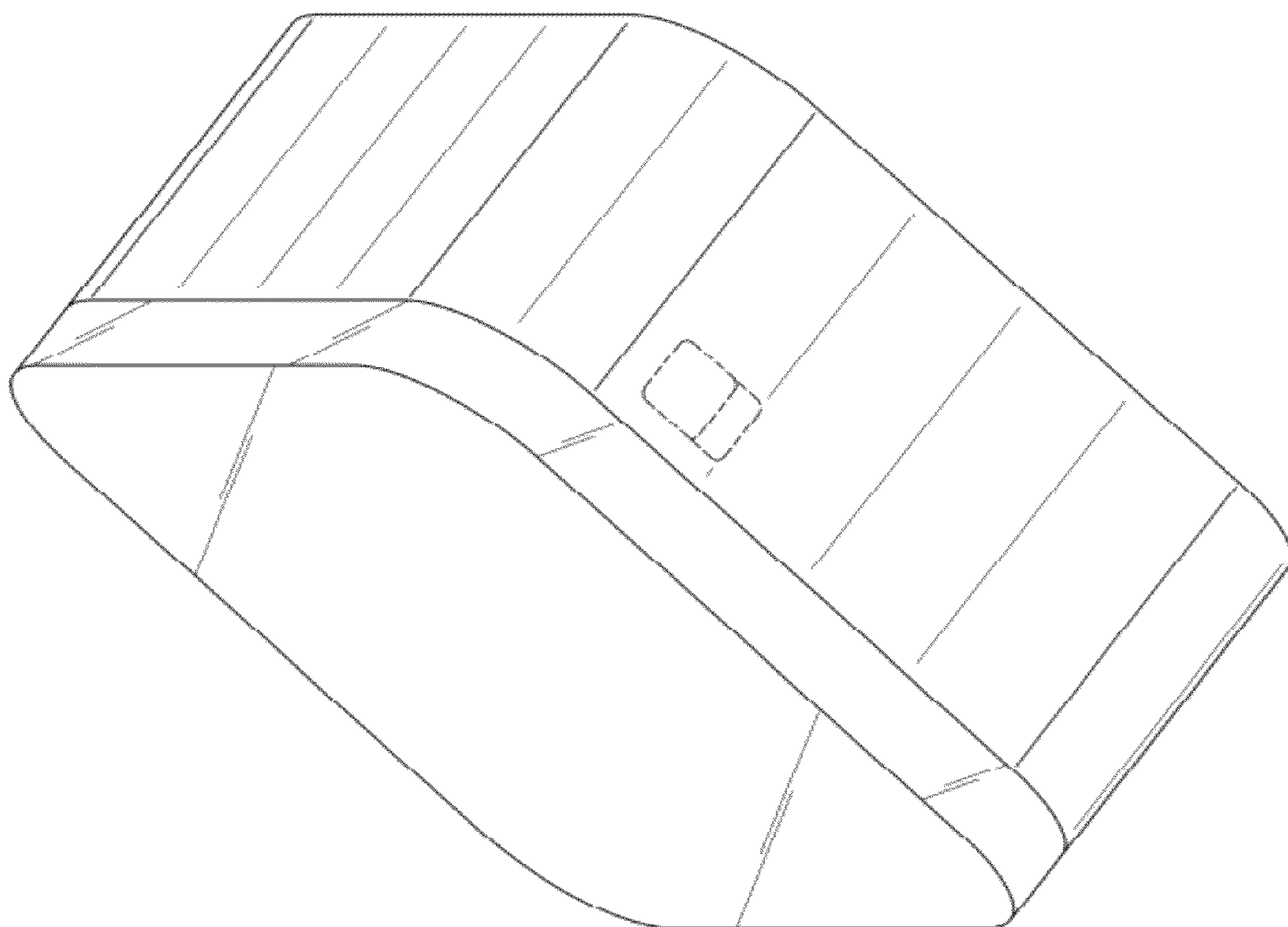


FIG. 2

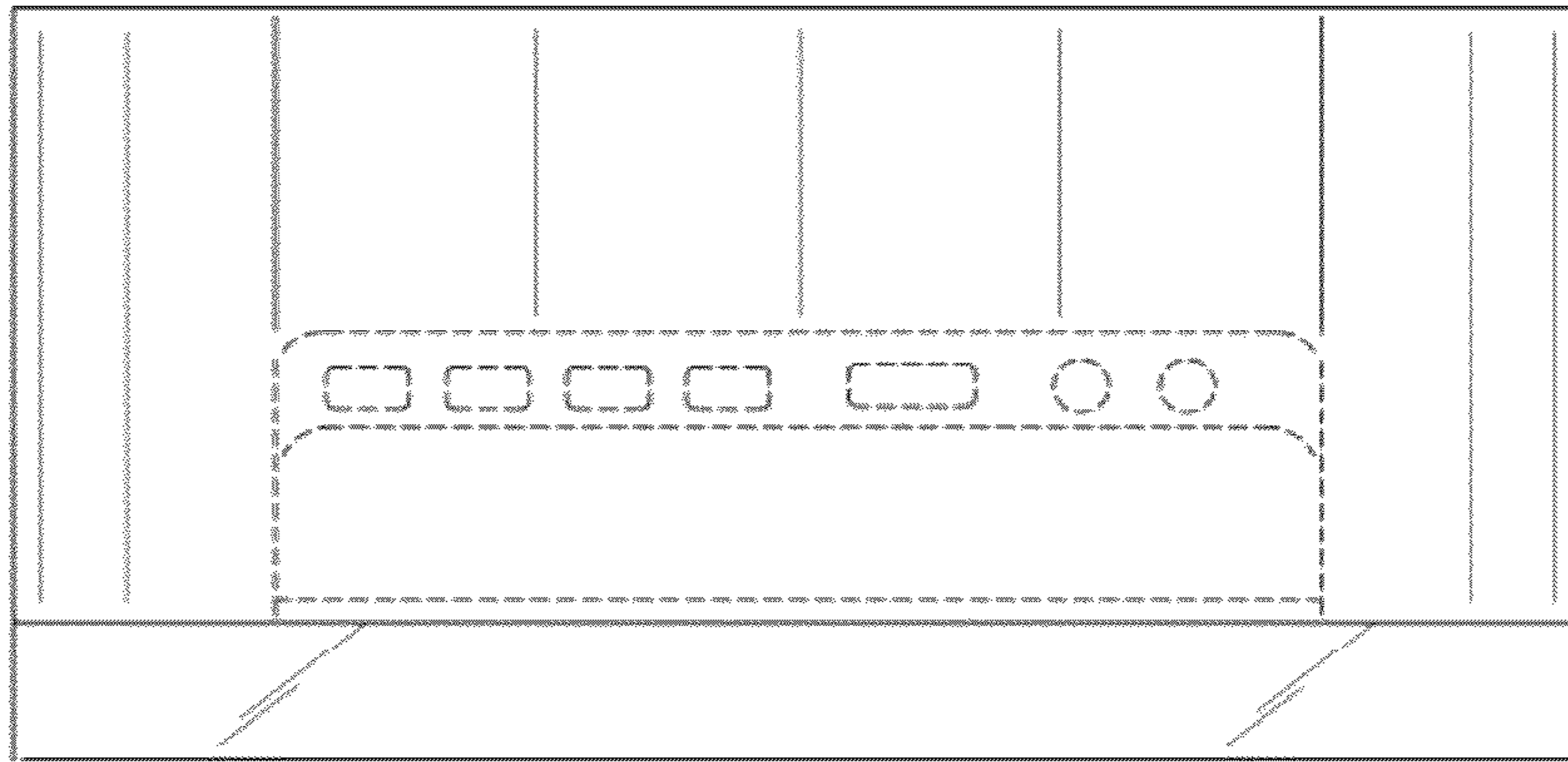


FIG. 3

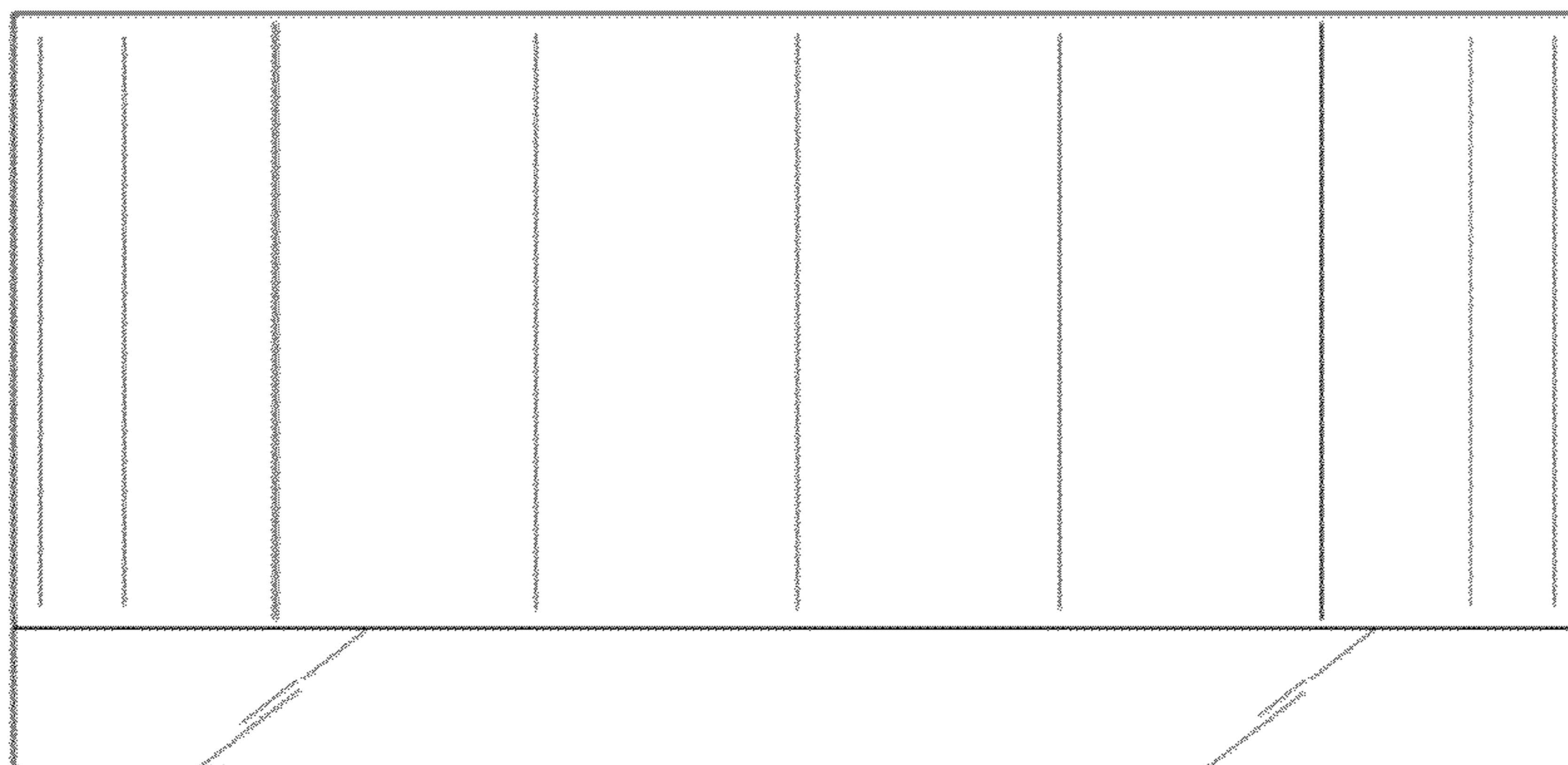


FIG. 4

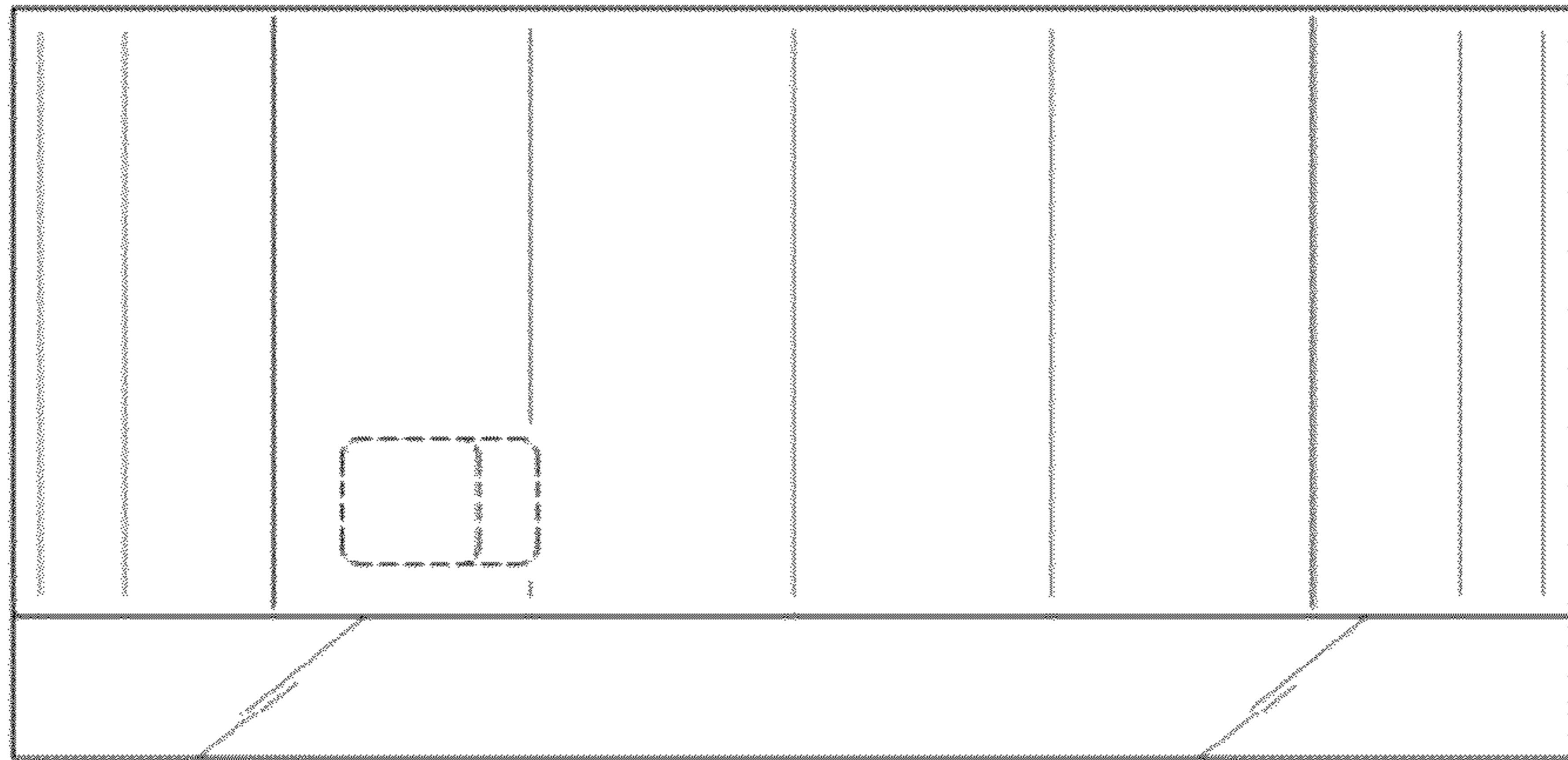


FIG. 5

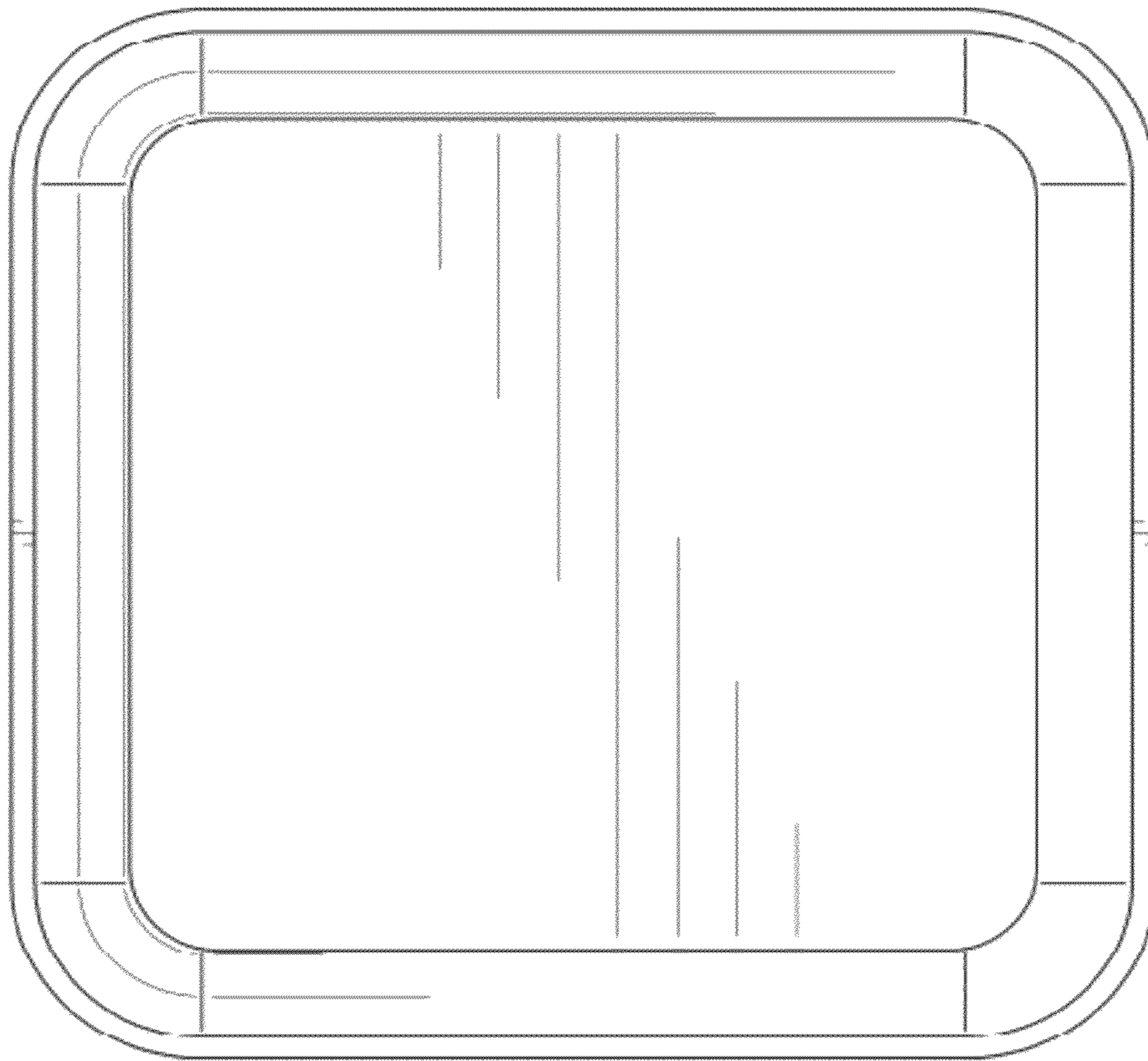


FIG. 6

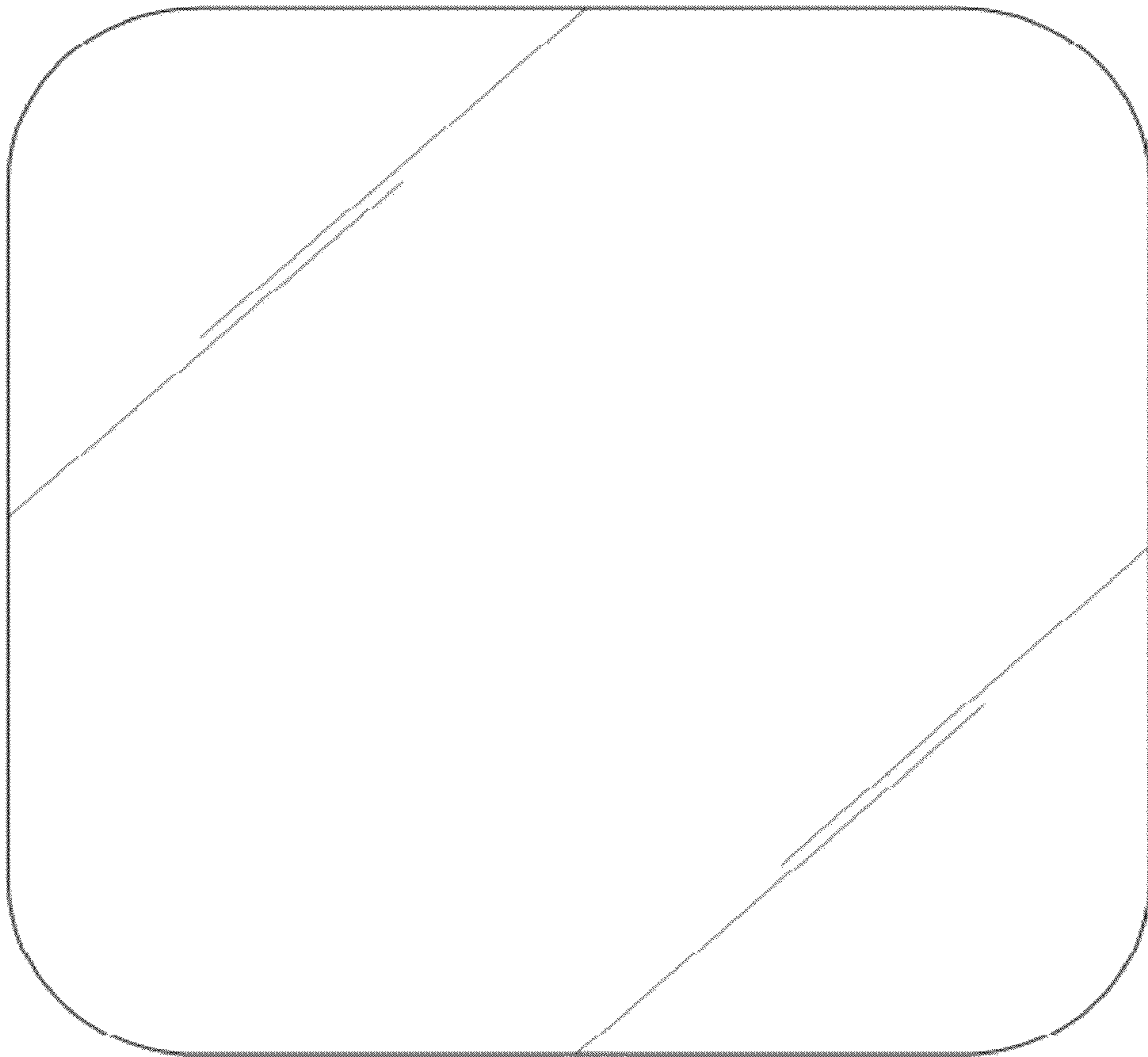


FIG. 7

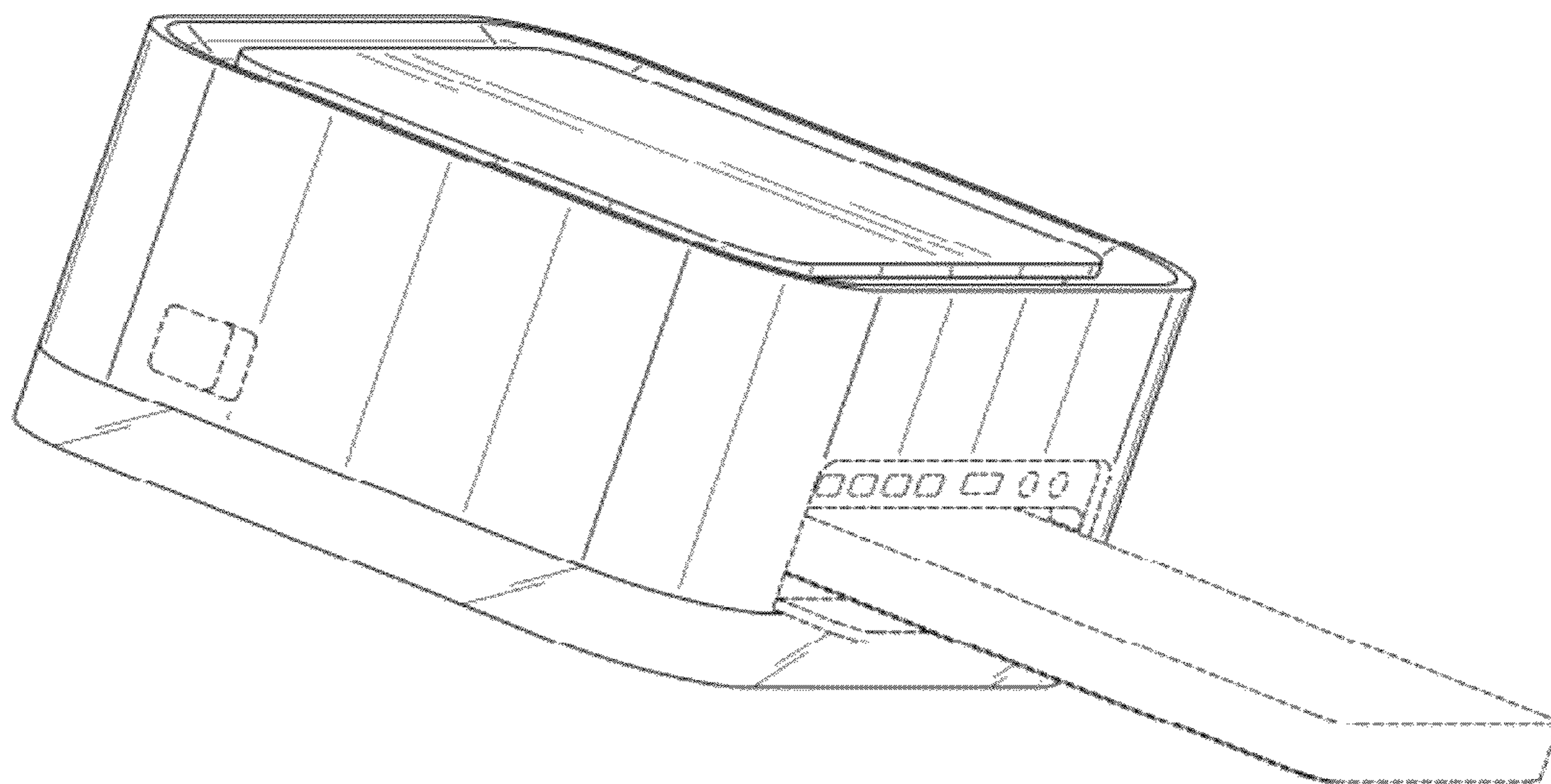


FIG. 8