



US00D674341S

(12) **United States Design Patent**  
**Thorsteinsson et al.**

(10) **Patent No.:** **US D674,341 S**  
(45) **Date of Patent:** **\*\* Jan. 15, 2013**

- (54) **ELECTRICAL TRANSFORMER**
- (75) Inventors: **Sigurdur Thorsteinsson**, Milan (IT);  
**Egil Stryken**, Solbergelva (NO);  
**Richard Tinggren**, Thalwil (CH)
- (73) Assignee: **ABB Technology AG**, Zurich (CH)
- (\*\*) Term: **14 Years**
- (21) Appl. No.: **29/427,356**
- (22) Filed: **Jul. 17, 2012**

**Related U.S. Application Data**

- (62) Division of application No. 29/414,764, filed on Mar. 2, 2012, now Pat. No. Des. 666,146, which is a division of application No. 29/385,962, filed on Feb. 23, 2011, now Pat. No. Des. 656,460, which is a division of application No. 29/366,251, filed on Jul. 22, 2010, now Pat. No. Des. 635,091, which is a division of application No. 29/356,632, filed on Mar. 1, 2010, now Pat. No. Des. 622,214, which is a division of application No. 29/336,557, filed on May 5, 2009, now Pat. No. Des. 613,687, which is a division of application No. 29/317,370, filed on Apr. 29, 2008, now Pat. No. Des. 594,408, which is a division of application No. 29/282,093, filed on Jul. 11, 2007, now Pat. No. Des. 570,282, which is a division of application No. 29/275,256, filed on Dec. 19, 2006, now Pat. No. Des. 550,155, which is a division of application No. 29/204,775, filed on May 5, 2004, now Pat. No. Des. 542,734.

(30) **Foreign Application Priority Data**

- Nov. 12, 2003 (EM) ..... 000102397
- (51) **LOC (9) Cl.** ..... **13-02**
- (52) **U.S. Cl.** ..... **D13/110**

- (58) **Field of Classification Search** ..... D13/110,  
D13/101, 199; 174/52 R; 220/4.02; 336/58,  
336/92, 94, 98, 107; 363/153, 171  
See application file for complete search history.

(56) **References Cited**

U.S. PATENT DOCUMENTS

2,325,470 A	7/1943	Bonanno et al.	
D188,248 S	6/1960	Albright et al.	
D188,249 S	6/1960	Albright et al.	
2,947,957 A	8/1960	Spindler	
3,028,568 A *	4/1962	Camilli	336/70
D195,975 S	8/1963	Bianco et al.	
D202,045 S	8/1965	Oberlin	
D210,130 S	2/1968	Stewart	
3,479,563 A	11/1969	Roy	
3,541,487 A	11/1970	Leonard	
D219,923 S	2/1971	Marchand	

(Continued)

OTHER PUBLICATIONS

ABB Inc., Power Transformers, 2003, 11 pgs.

(Continued)

*Primary Examiner* — Derrick Holland

(74) *Attorney, Agent, or Firm* — Connolly Bove Lodge & Hutz LLP

(57) **CLAIM**

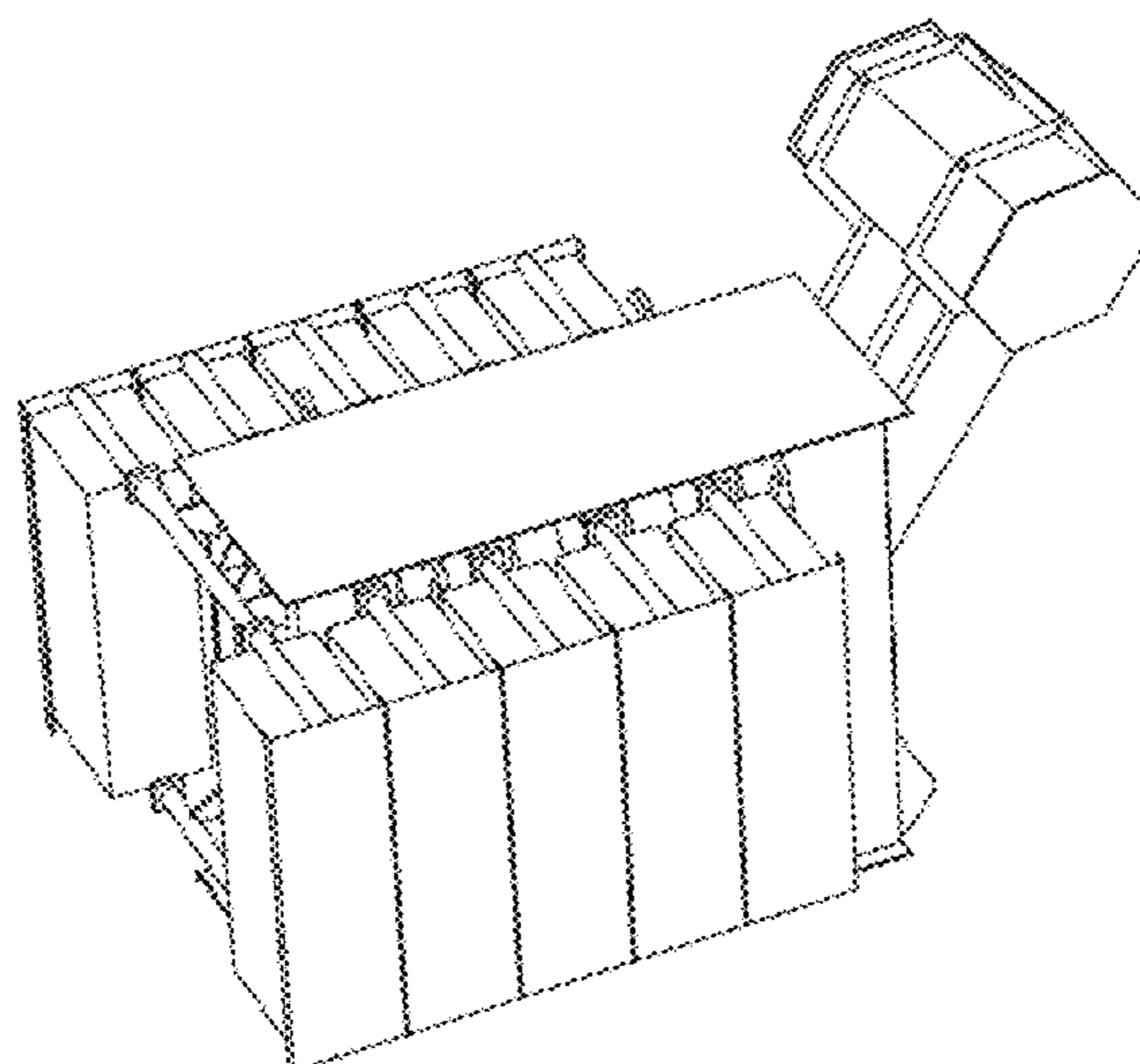
The ornamental design for an electrical transformer, as shown and described.

**DESCRIPTION**

This application is also related to U.S. application Ser. No. 29/275,260, filed Dec. 19, 2006 (now U.S. Pat. No. D547,267). The entire contents of these applications are incorporated herein by reference.

FIG. 1 is a front elevation view of an electrical transformer showing our new design;  
FIG. 2 is a top plan view thereof;  
FIG. 3 is a left side elevation view thereof; and,  
FIG. 4 is a perspective view thereof.

**1 Claim, 3 Drawing Sheets**



# US D674,341 S

Page 2

## U.S. PATENT DOCUMENTS

D222,480 S 10/1971 Canney  
3,713,060 A 1/1973 Harlow  
3,781,741 A 12/1973 Weiner  
4,027,279 A 5/1977 Shigehara et al.  
D254,846 S 4/1980 Wood  
D257,342 S 10/1980 Payne  
4,257,027 A 3/1981 Yasuhisa  
D259,040 S 4/1981 Pierce  
D261,640 S 11/1981 Alber et al.  
D290,456 S 6/1987 Burgher et al.  
D294,565 S 3/1988 Makinson et al.  
4,899,122 A \* 2/1990 Sommer ..... 336/65  
D324,371 S 3/1992 Patty  
5,164,626 A 11/1992 Oigawa

D348,868 S 7/1994 Terlop et al.  
6,185,811 B1 2/2001 Perry et al.  
D526,273 S 8/2006 Le et al.  
D644,605 S \* 9/2011 Shaw et al. .... D13/110

## OTHER PUBLICATIONS

ASA Trafobau GmbH, 24 pgs.—Date unknown.  
Koncar-Distributivni i Specijalni Transformatori d.d., Power Trans-  
formers (3,2) V 01, 8 pgs.—Date unknown.  
SGB Starkstrom and SMIT Transformers, Partners in Power, 6  
pgs.—Date unknown.  
MF Transformatori srl, Oil Filled Transformer, 14 pgs., Date  
unknown.

\* cited by examiner

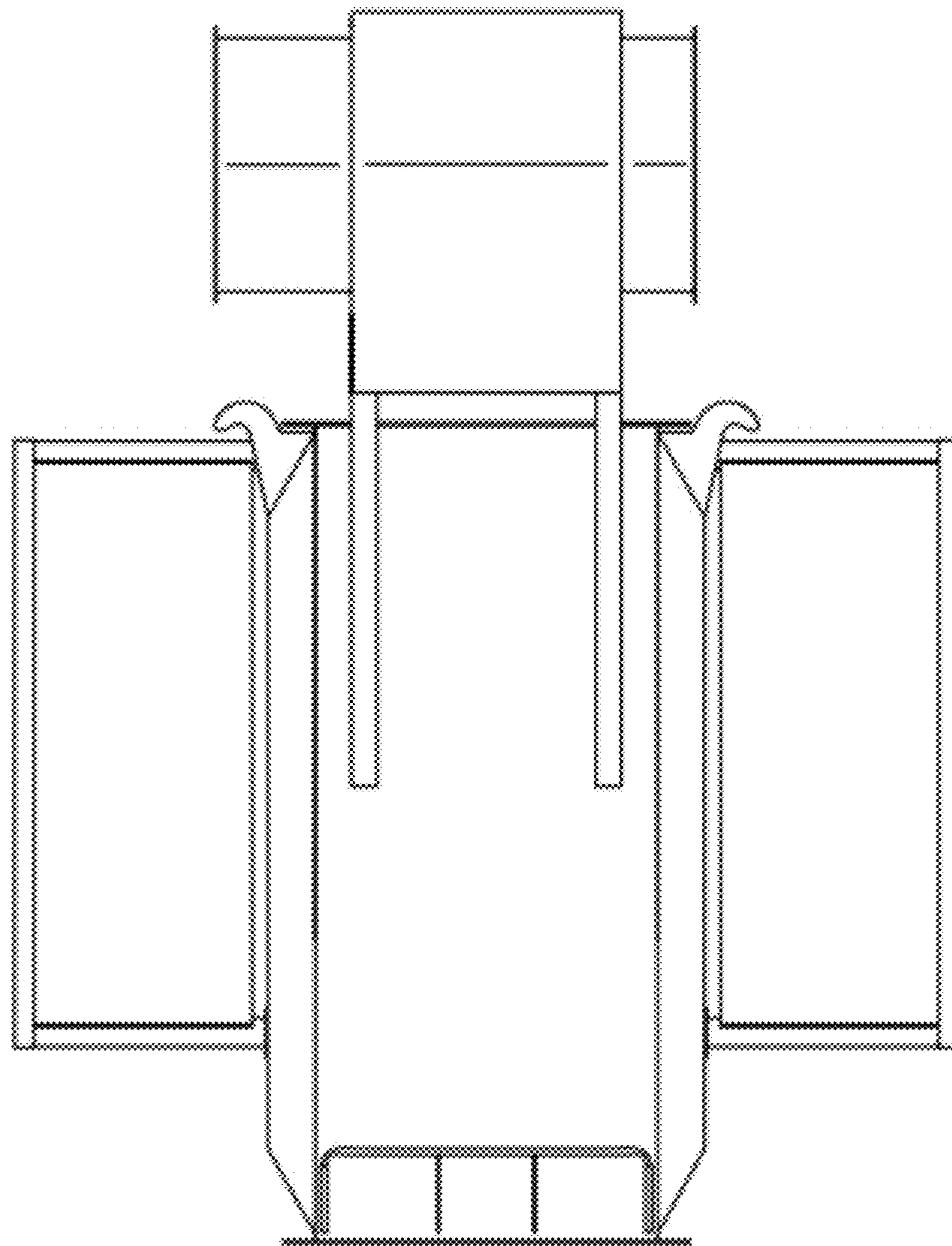


Fig. 1

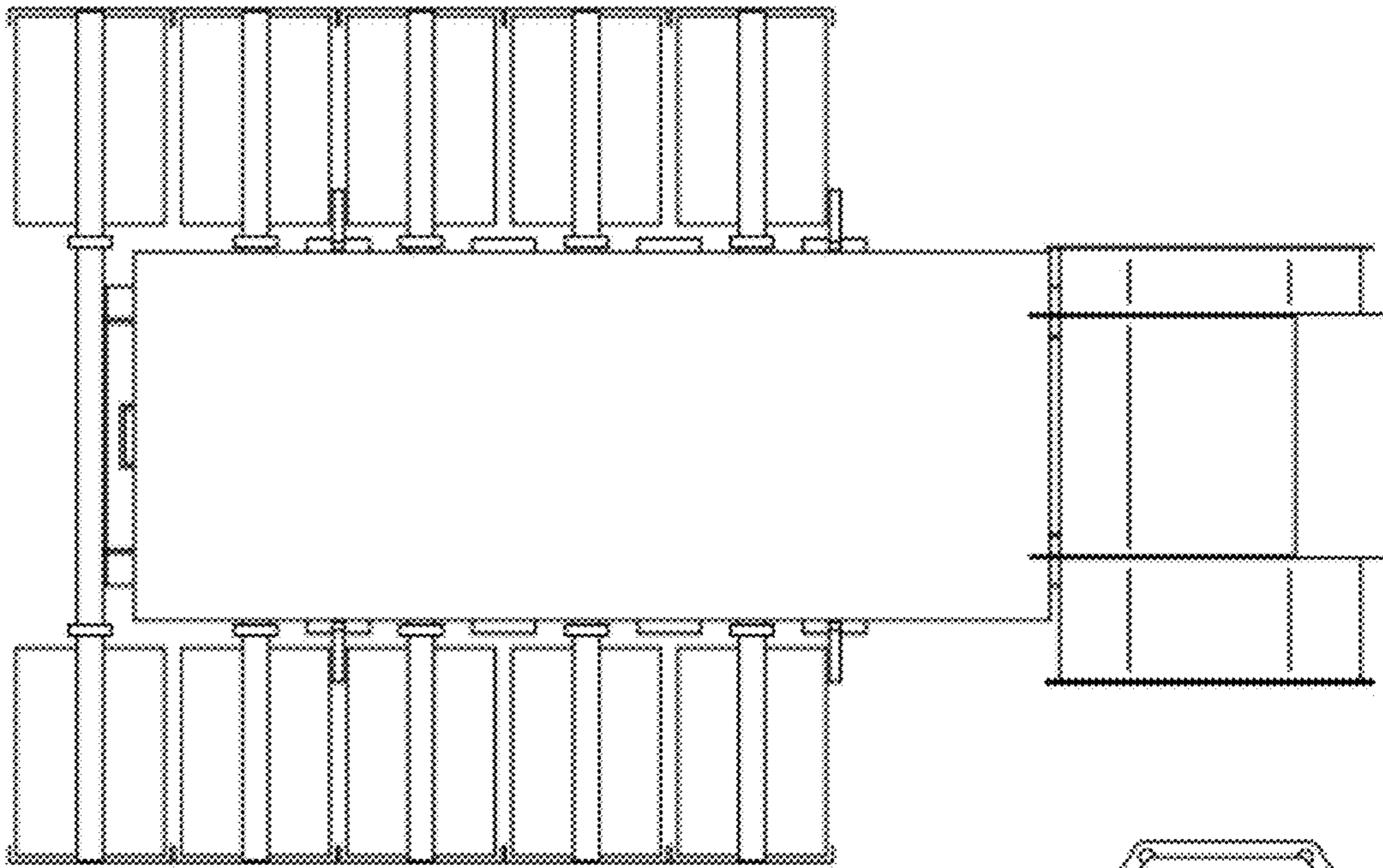


Fig. 2

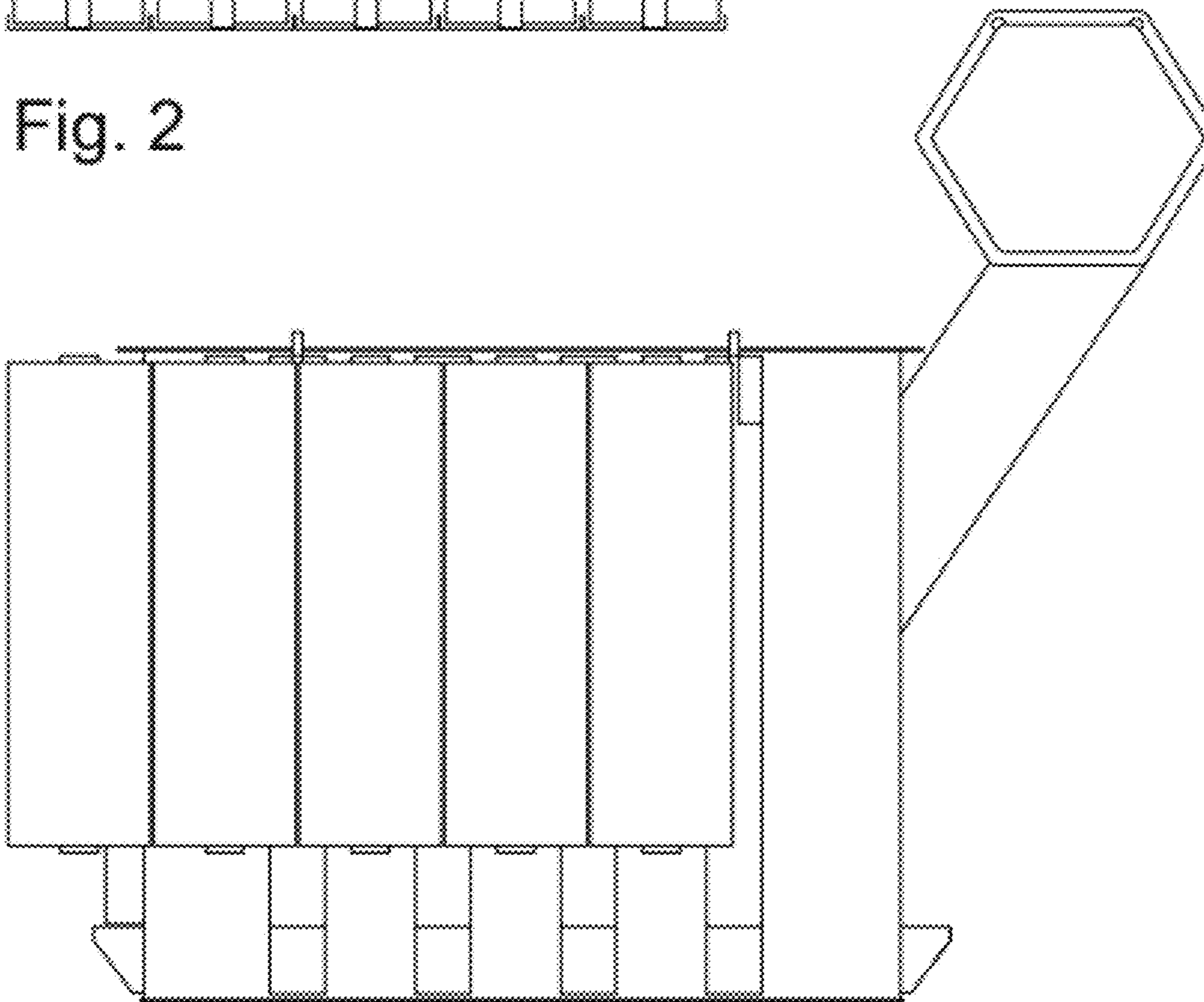


Fig. 3

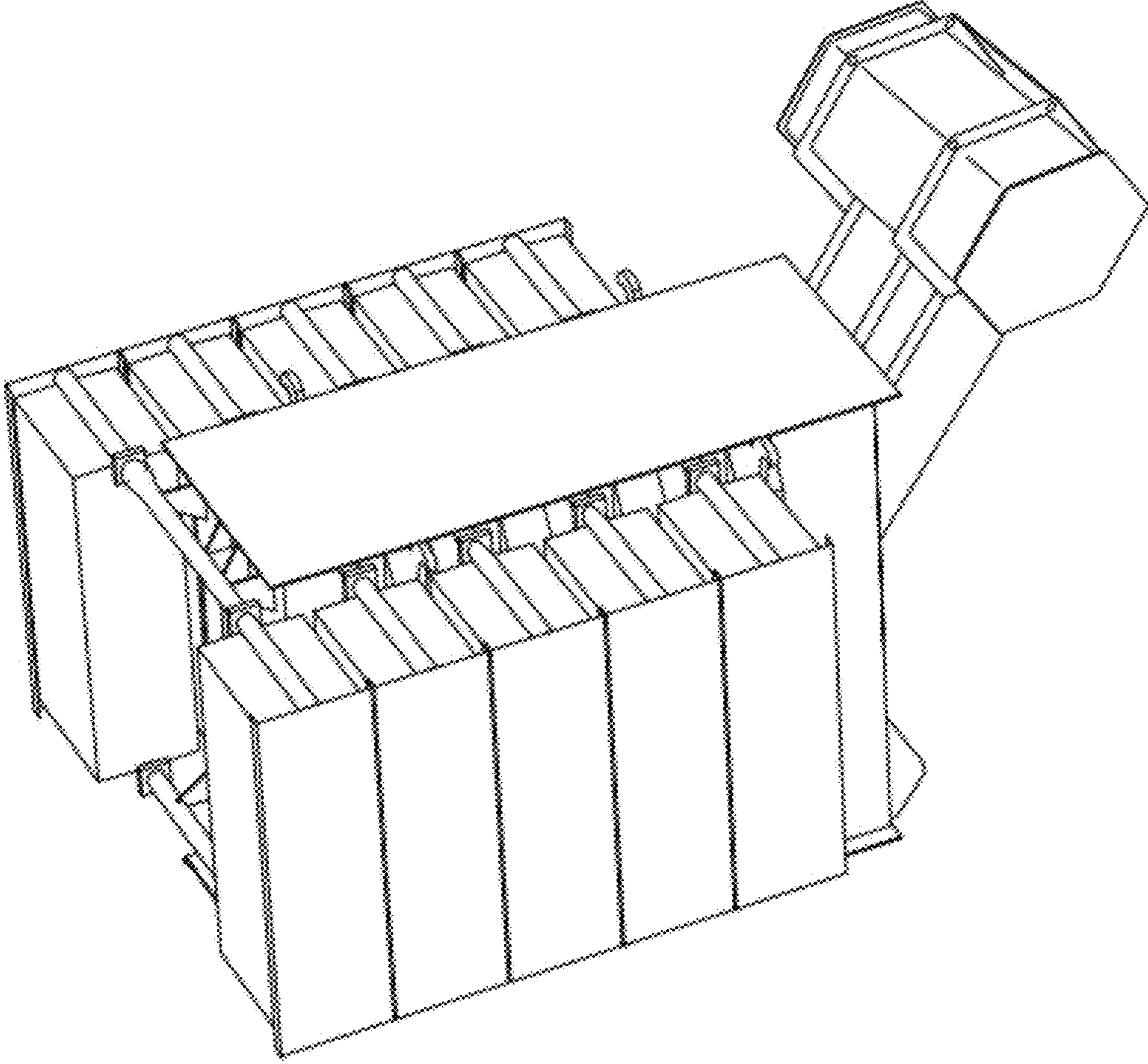


Fig. 4