



US00D674339S

(12) **United States Design Patent**
Lui et al.

(10) **Patent No.:** **US D674,339 S**
(45) **Date of Patent:** **** Jan. 15, 2013**

(54) **CHARGER**
(75) Inventors: **Wing Kit Lui**, Kowloon (HK); **Hiu Wai Ho**, Kowloon (HK)

(73) Assignee: **Eric Beare Associates Limited**,
Kowloon (HK)

(**) Term: **14 Years**

(21) Appl. No.: **29/426,272**

(22) Filed: **Jul. 3, 2012**

(51) **LOC (9) Cl.** **13-02**

(52) **U.S. Cl.** **D13/108**

(58) **Field of Classification Search** D13/103,
D13/107-110, 118-119, 184, 199; 320/107-115;
D14/240, 432-434

See application file for complete search history.

(56) **References Cited**

U.S. PATENT DOCUMENTS

D430,882 S * 9/2000 Tsai D14/434
D521,504 S * 5/2006 Nagel et al. D14/240

D559,848 S * 1/2008 Siu D14/433
D560,165 S * 1/2008 Matityahu et al. D13/133
D575,350 S * 8/2008 Ashida et al. D21/333
D585,306 S * 1/2009 Oas D10/2
D638,831 S * 5/2011 Paradise D14/253

* cited by examiner

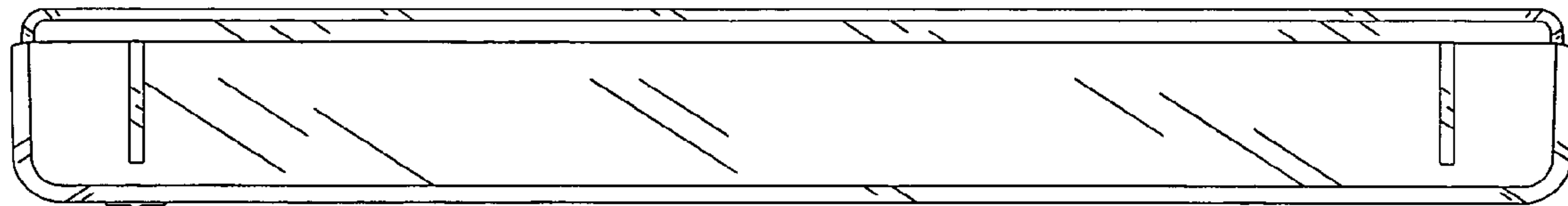
Primary Examiner — Rosemary K Tarcza

(57) **CLAIM**
The ornamental design for a charger, as shown.

DESCRIPTION

FIG. 1 is a front elevational view of a charger showing my new design;
FIG. 2 is a rear elevational view thereof;
FIG. 3 is a left side view thereof;
FIG. 4 is a right side view thereof;
FIG. 5 is a top plan view thereof;
FIG. 6 is a bottom plan view thereof;
FIG. 7 is a perspective view thereof; and,
FIG. 8 is another perspective thereof.

1 Claim, 2 Drawing Sheets



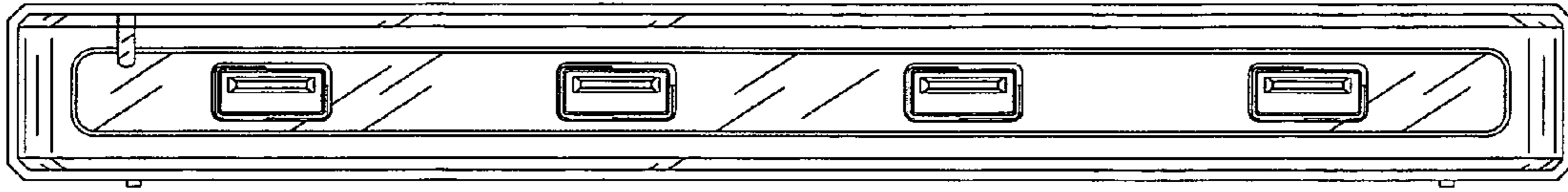


FIG. 1

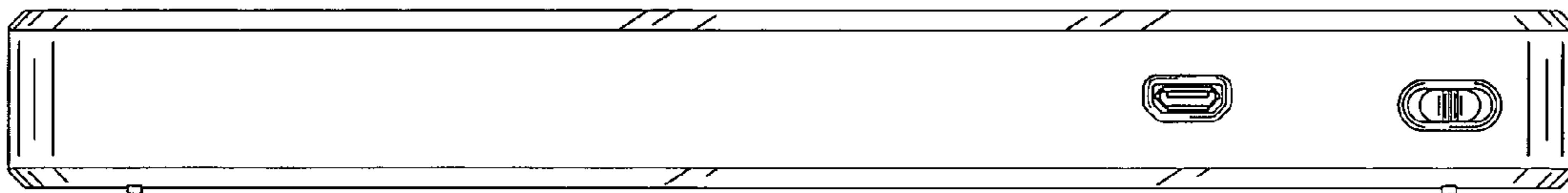


FIG. 2

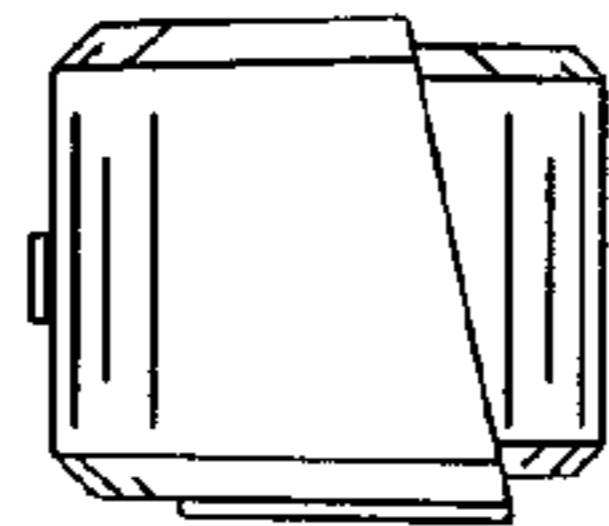


FIG. 3

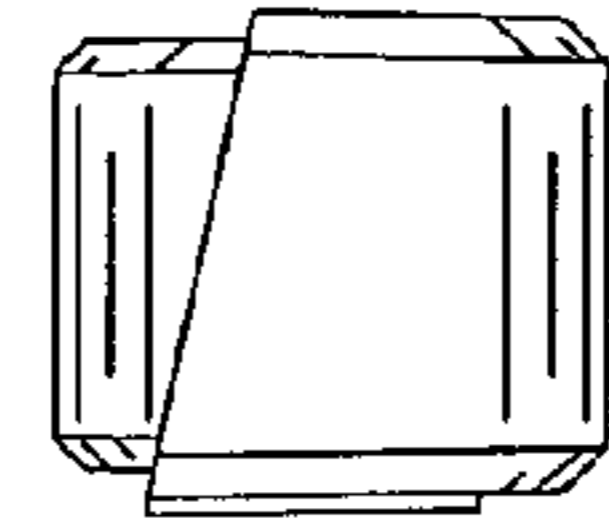


FIG. 4

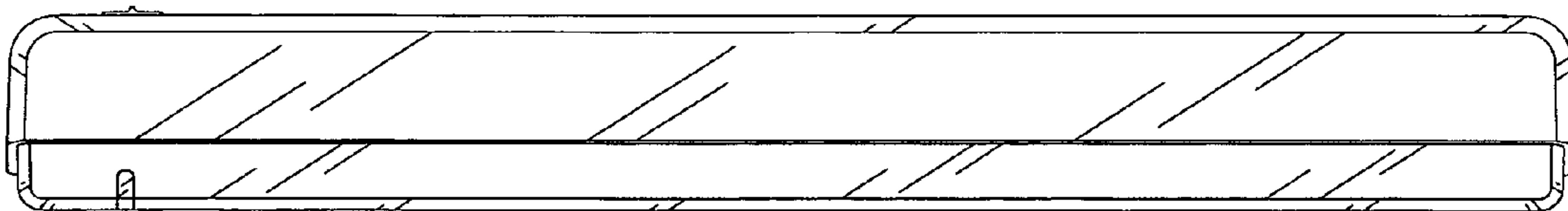


FIG. 5

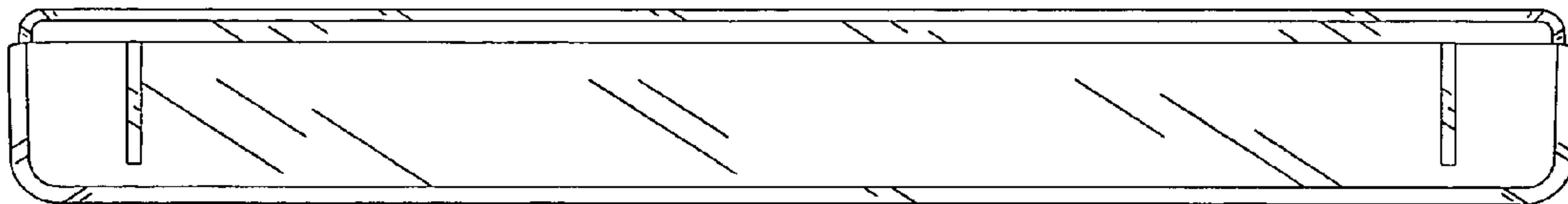


FIG. 6

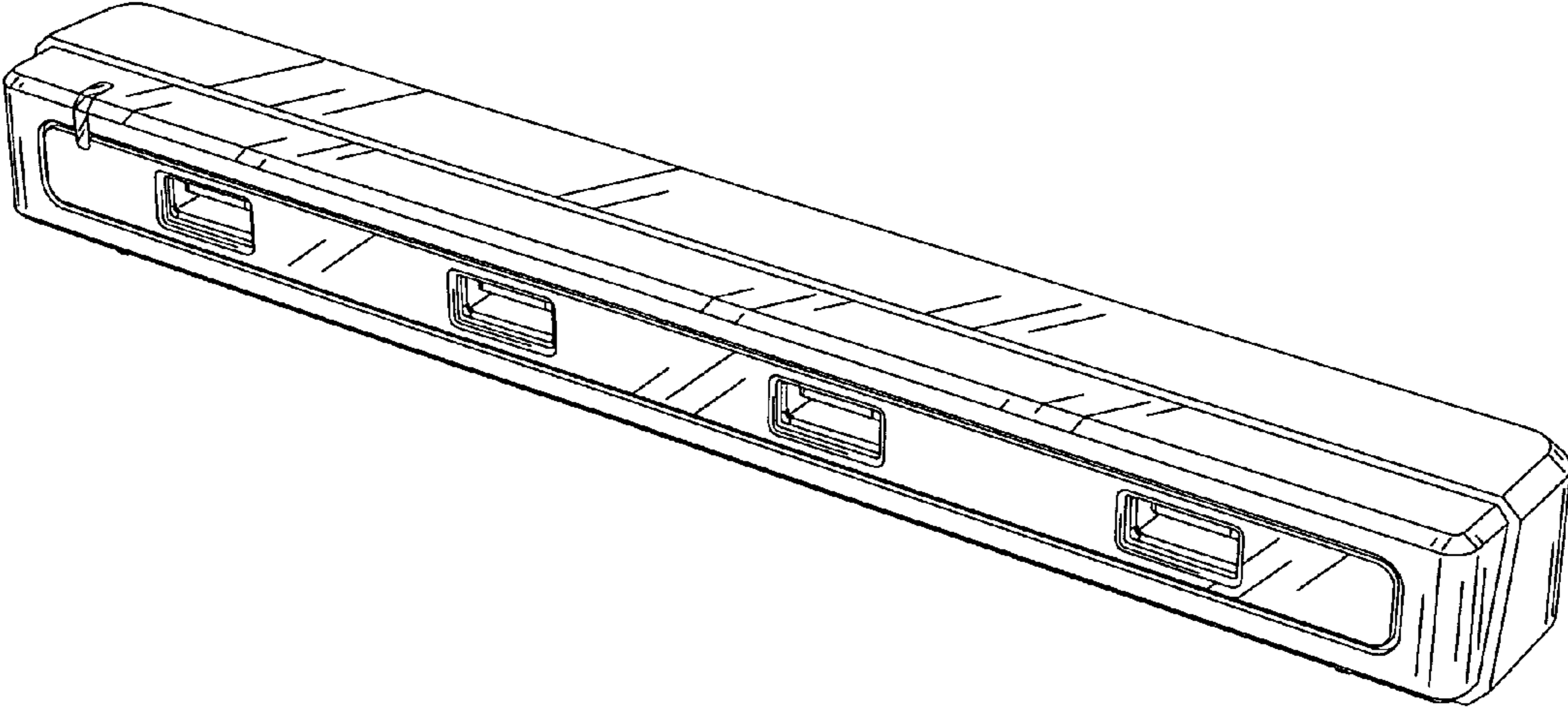


FIG. 7

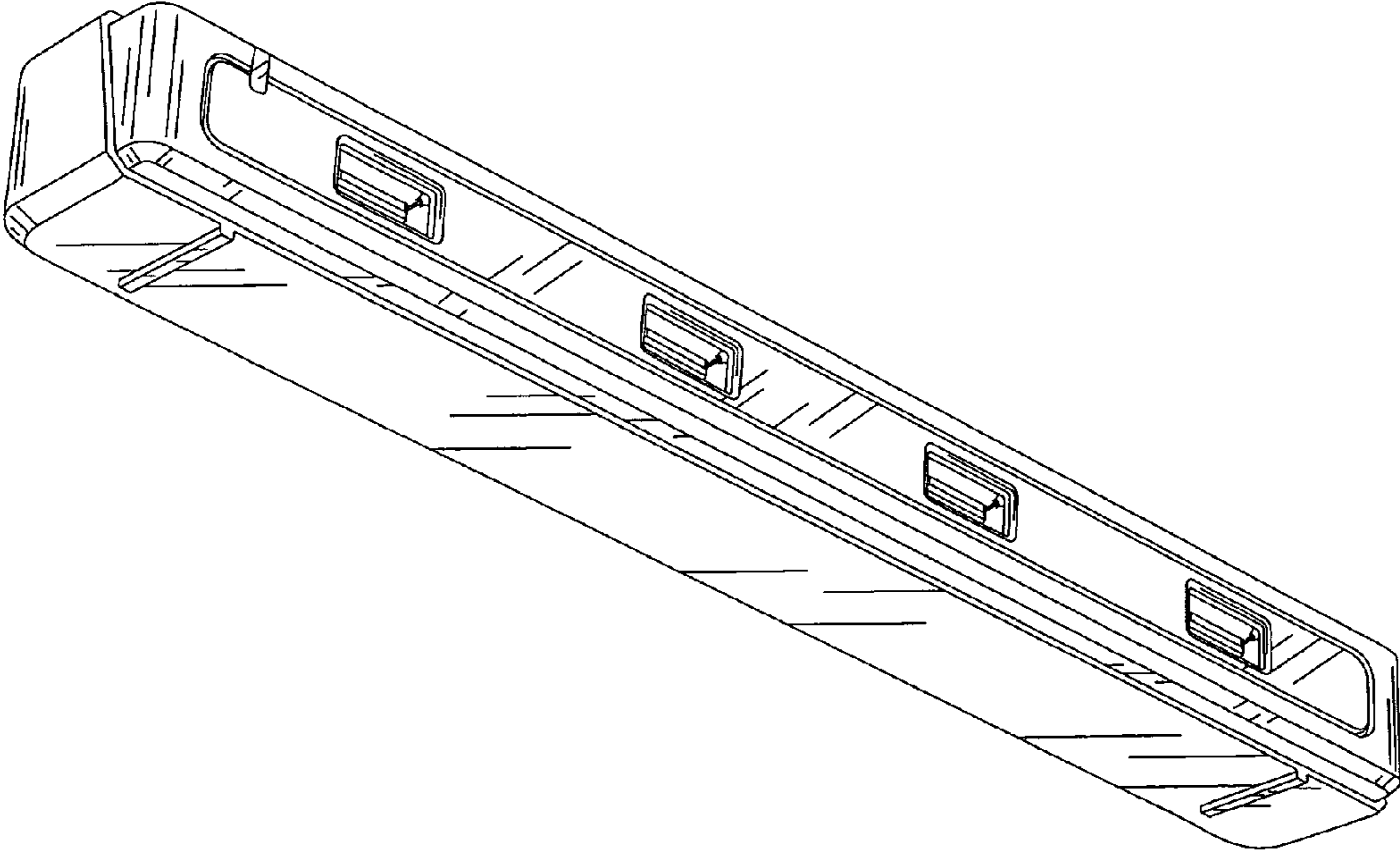


FIG. 8