



US00D674338S

(12) **United States Design Patent**  
**Au Yeung**

(10) **Patent No.:** **US D674,338 S**  
(45) **Date of Patent:** **\*\* Jan. 15, 2013**

(54) **CHARGER**

(75) Inventor: **Kwok Keung Au Yeung**, New Territories (HK)

(73) Assignee: **Ariel Premium Supply, Inc.**, St. Louis, MO (US)

(\*\*) Term: **14 Years**

(21) Appl. No.: **29/420,600**

(22) Filed: **May 10, 2012**

(51) **LOC (9) Cl.** ..... **13-02**

(52) **U.S. Cl.** ..... **D13/108**

(58) **Field of Classification Search** ..... D13/106–110, D13/118–119, 184, 199; D14/251, 253, D14/432, 434; 320/107–115  
See application file for complete search history.

(56) **References Cited**

**U.S. PATENT DOCUMENTS**

- D462,950 S \* 9/2002 Waffensmith et al. .... D14/251
- D467,225 S \* 12/2002 Sudo ..... D13/102
- D489,322 S \* 5/2004 Sawai et al. .... D13/108
- D512,066 S \* 11/2005 Solomon et al. .... D14/434

- D516,562 S \* 3/2006 Solomon et al. .... D14/434
- D543,985 S \* 6/2007 Hussaini et al. .... D14/434
- D557,208 S \* 12/2007 Solland ..... D13/108
- D638,789 S \* 5/2011 Markowitz ..... D13/108
- D640,977 S \* 7/2011 Videbaek ..... D13/108
- D645,463 S \* 9/2011 Kao ..... D14/253
- D654,078 S \* 2/2012 Zhou et al. .... D14/434

\* cited by examiner

*Primary Examiner* — Rosemary K Tarcza

(74) *Attorney, Agent, or Firm* — Intellectual Property Law Group LLP

(57) **CLAIM**

The ornamental design for a charger, as shown and described.

**DESCRIPTION**

FIG. 1 is a perspective view of a charger embodying my new design;

FIG. 2 is a front view thereof;

FIG. 3 is a rear view thereof;

FIG. 4 is a right side view thereof;

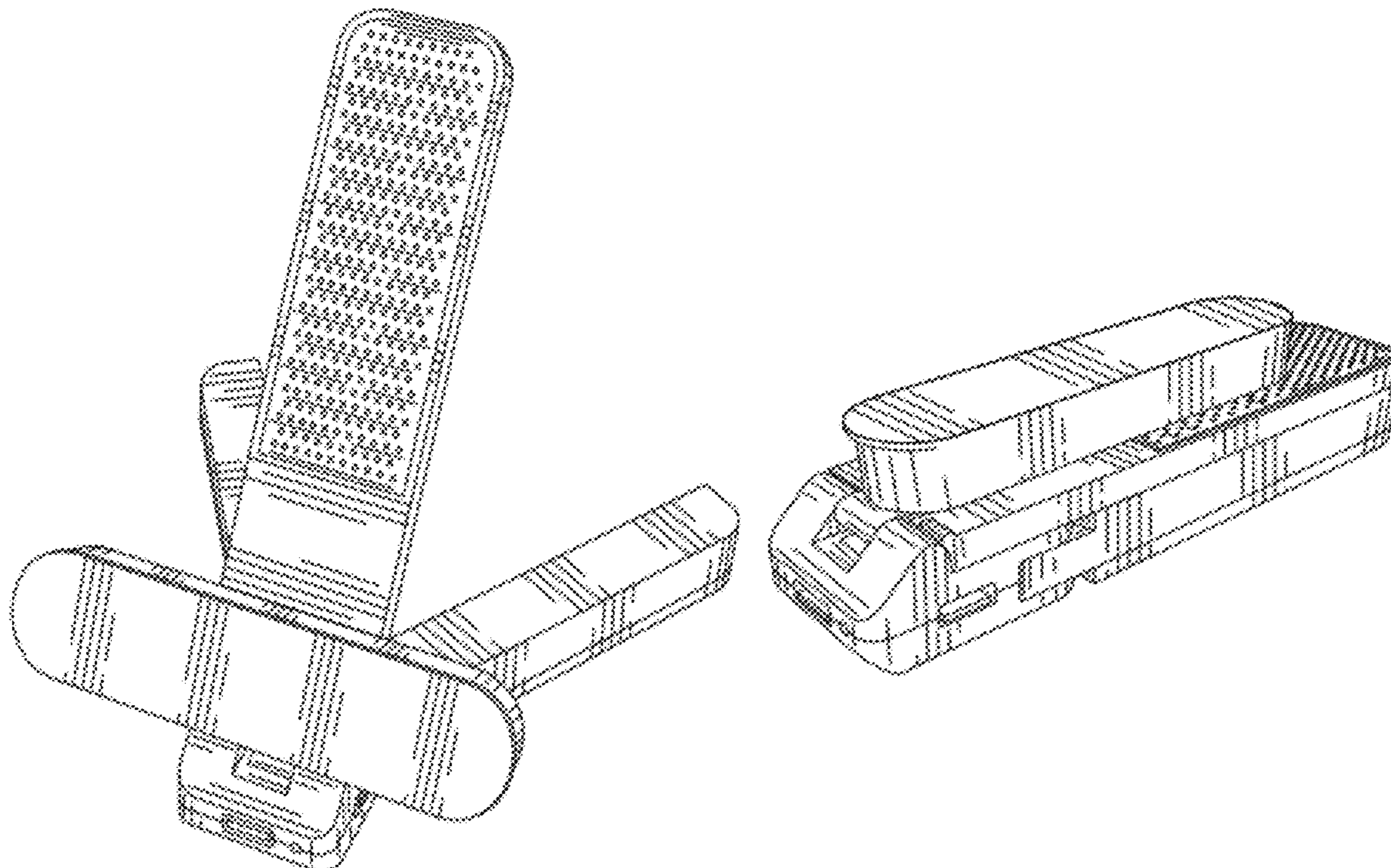
FIG. 5 is a left side view thereof;

FIG. 6 is a top plan view thereof;

FIG. 7 is a bottom plan view thereof; and,

FIG. 8 is a perspective view thereof in a closed position.

**1 Claim, 3 Drawing Sheets**



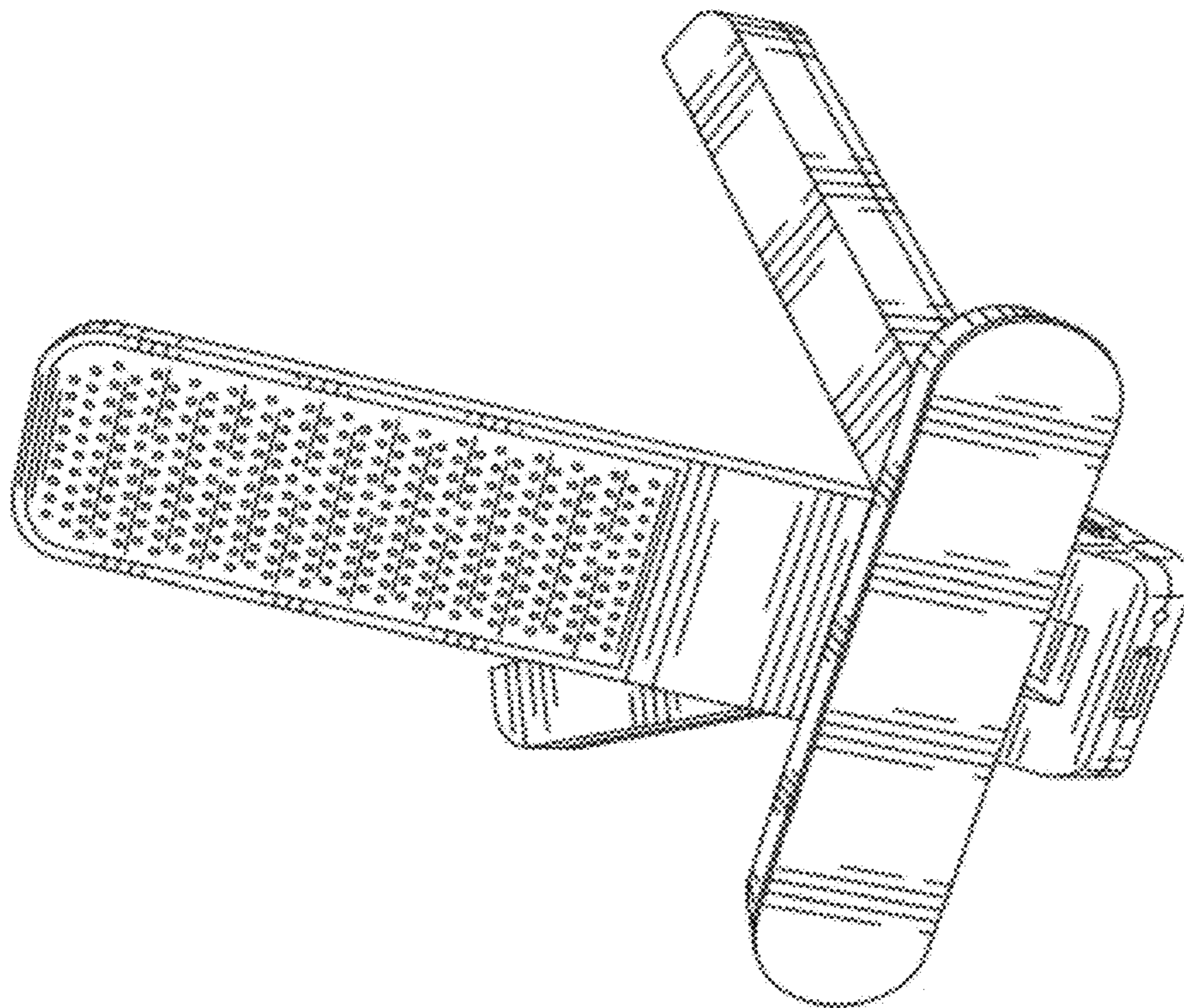


FIG. 1

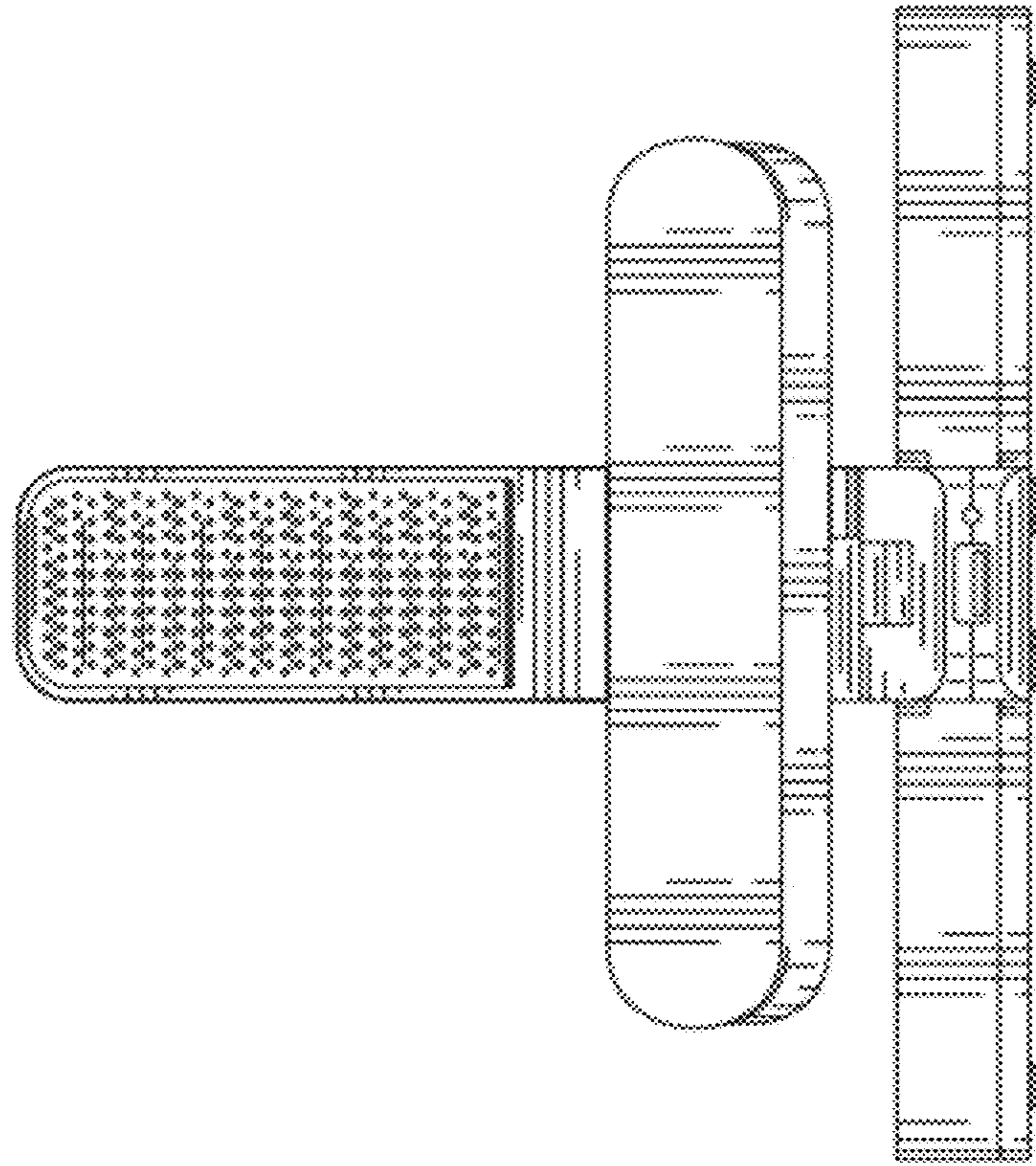


FIG. 2

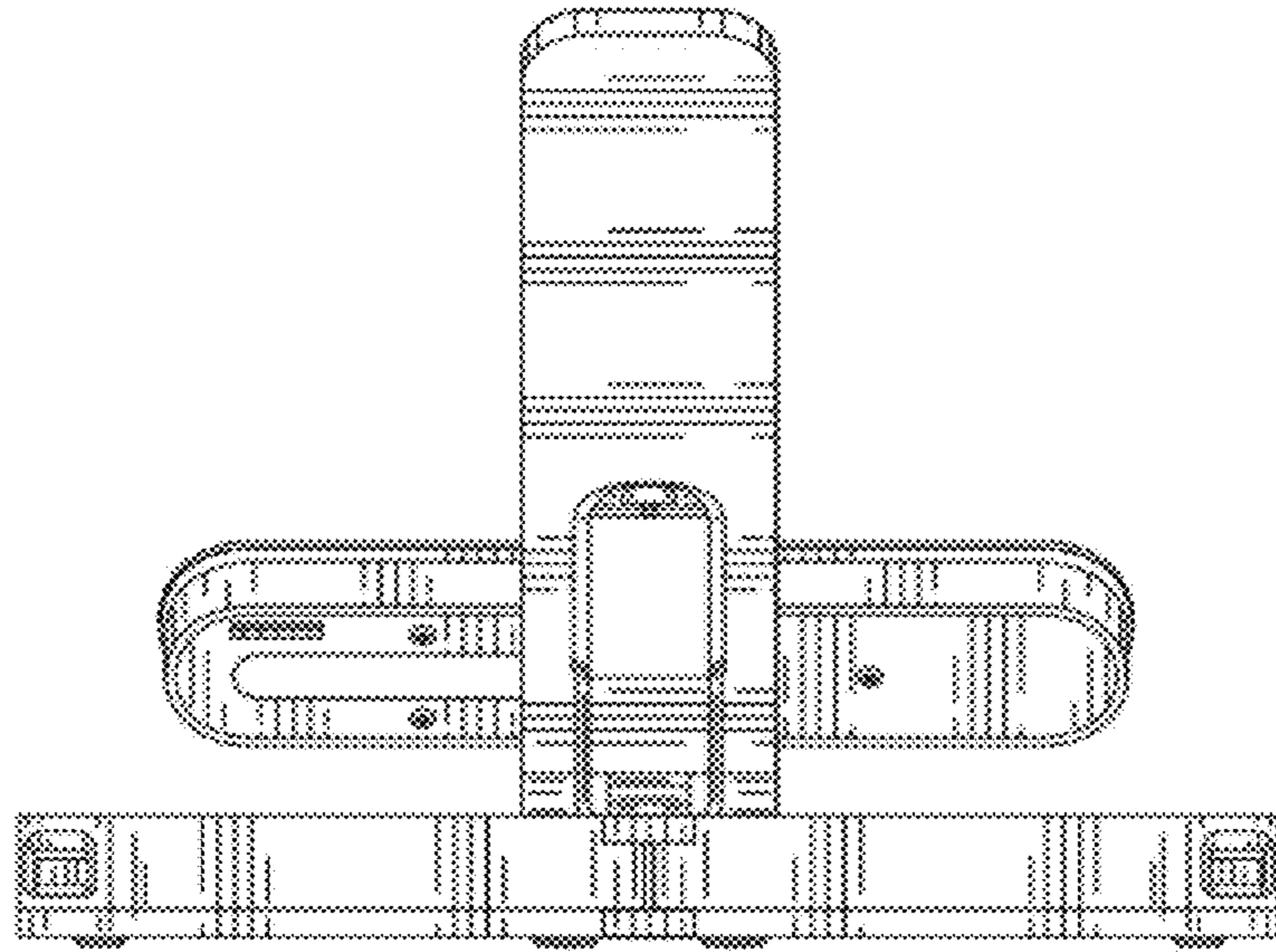


FIG. 3

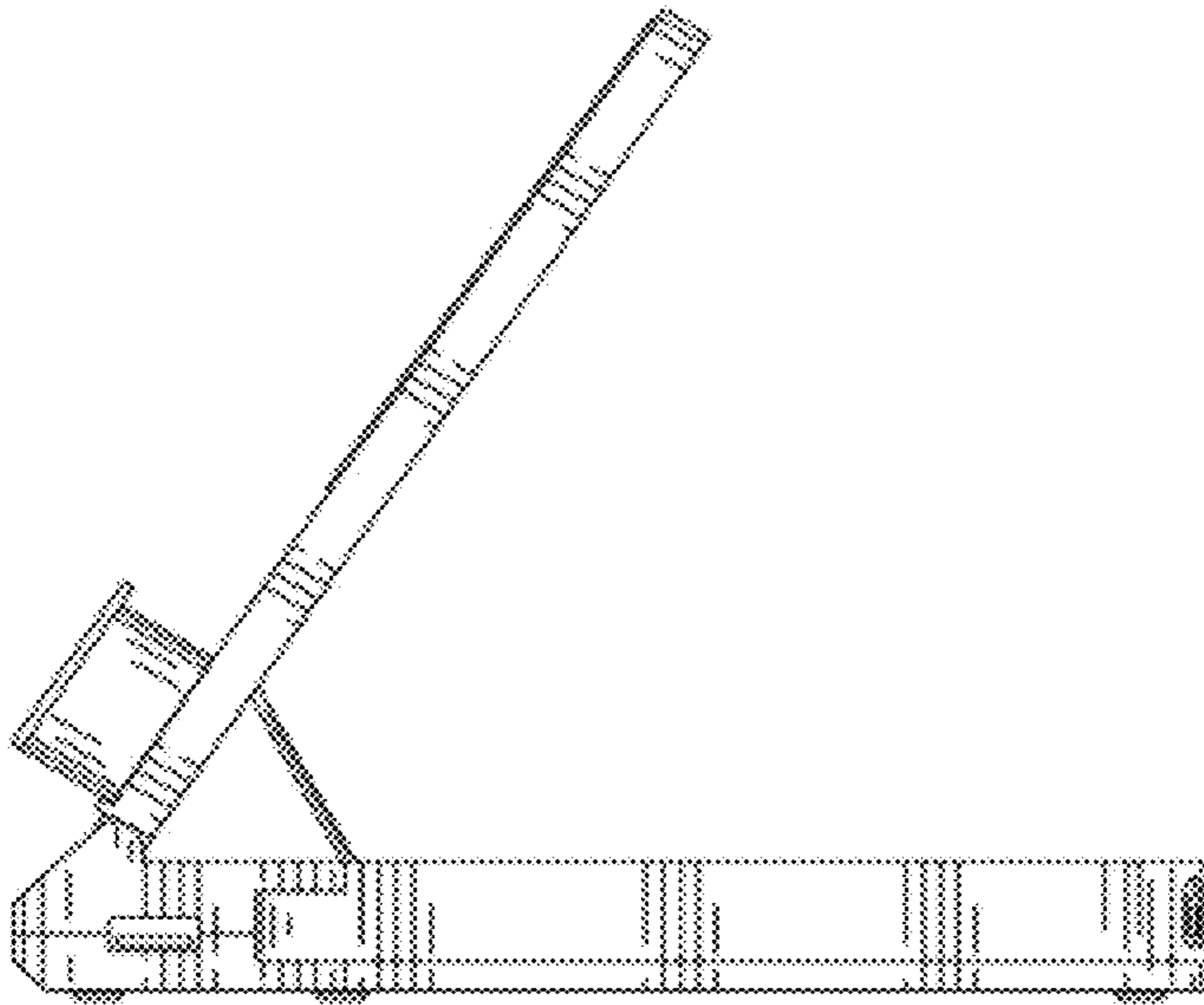


FIG. 4

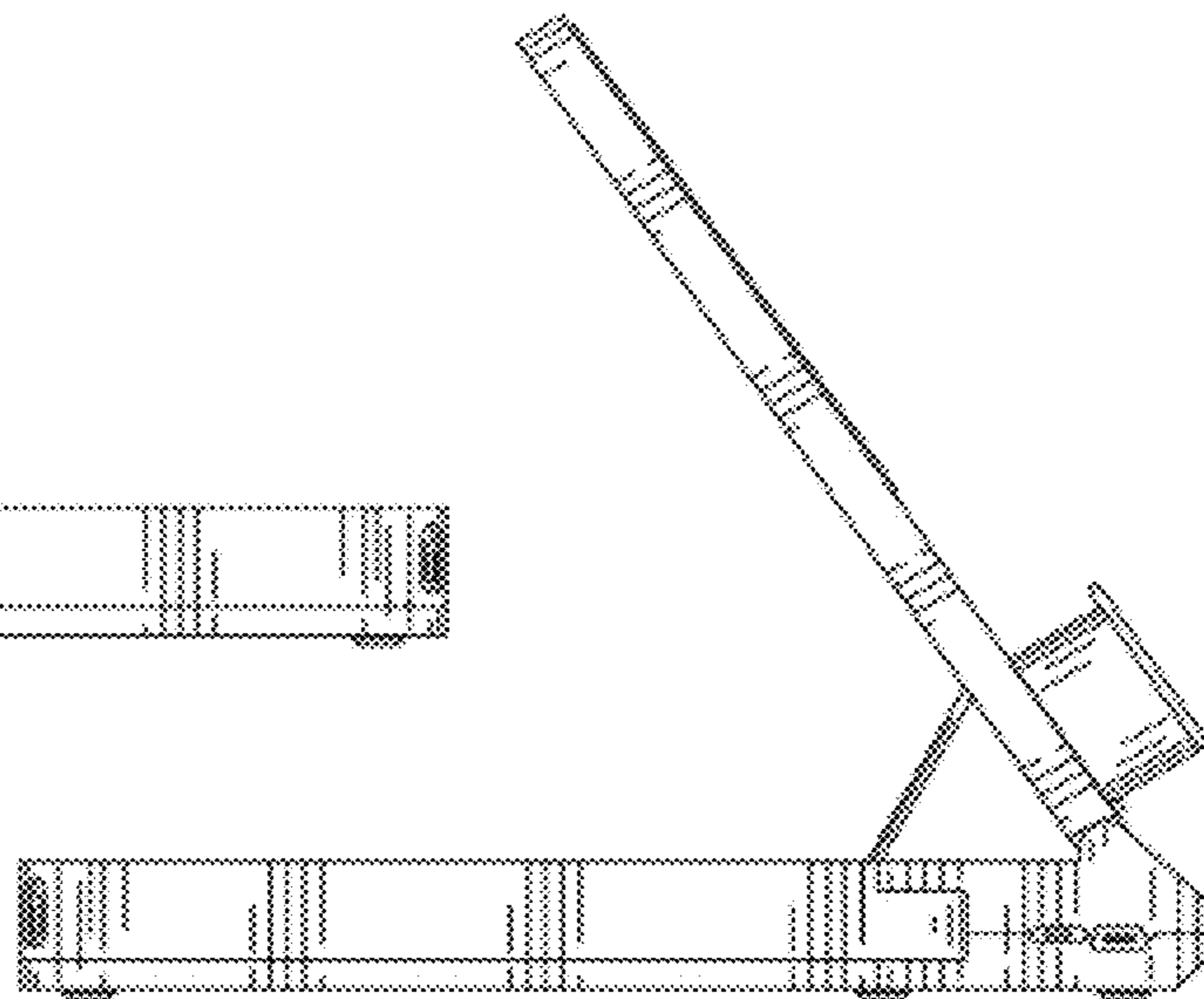


FIG. 5

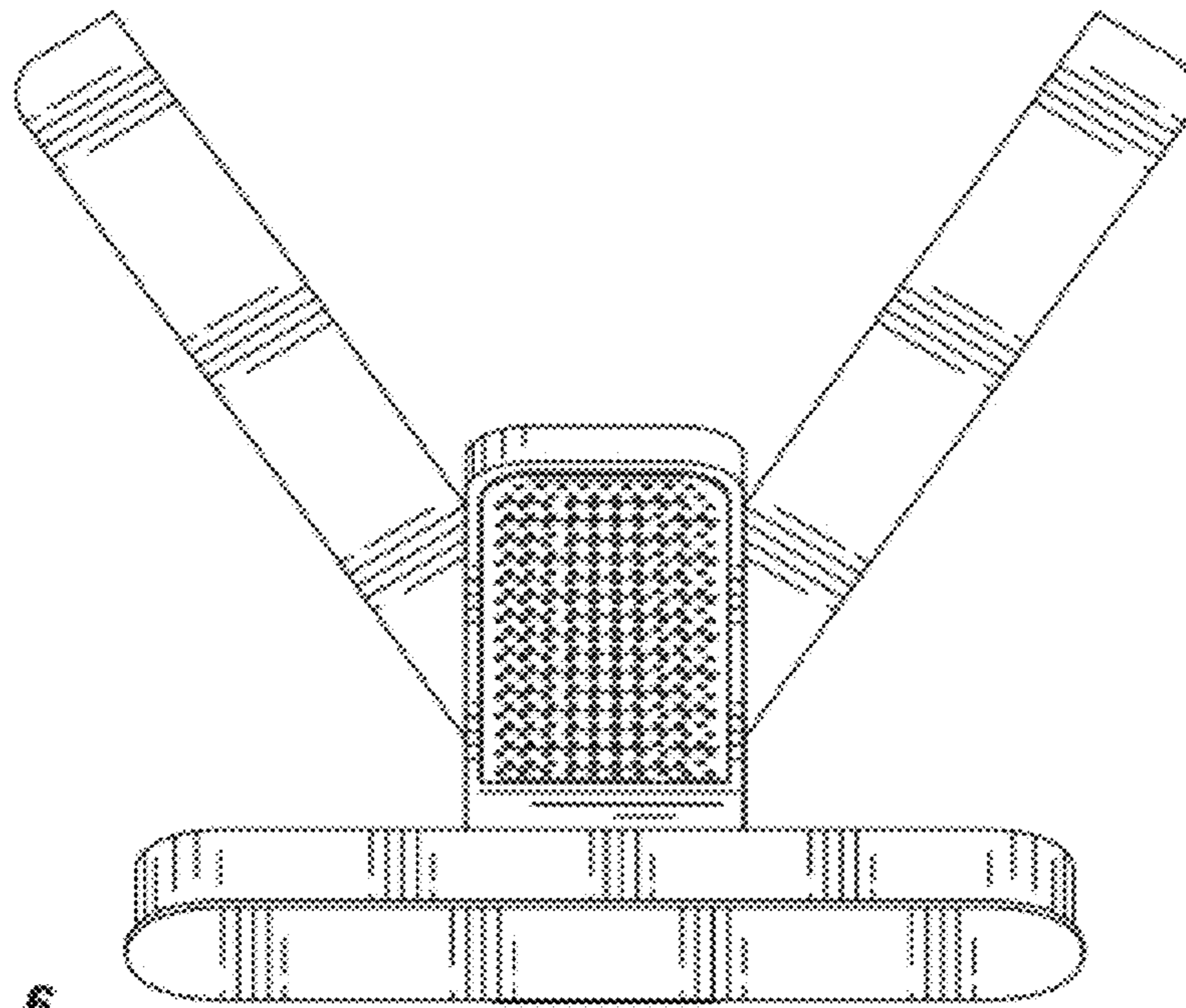


FIG. 6

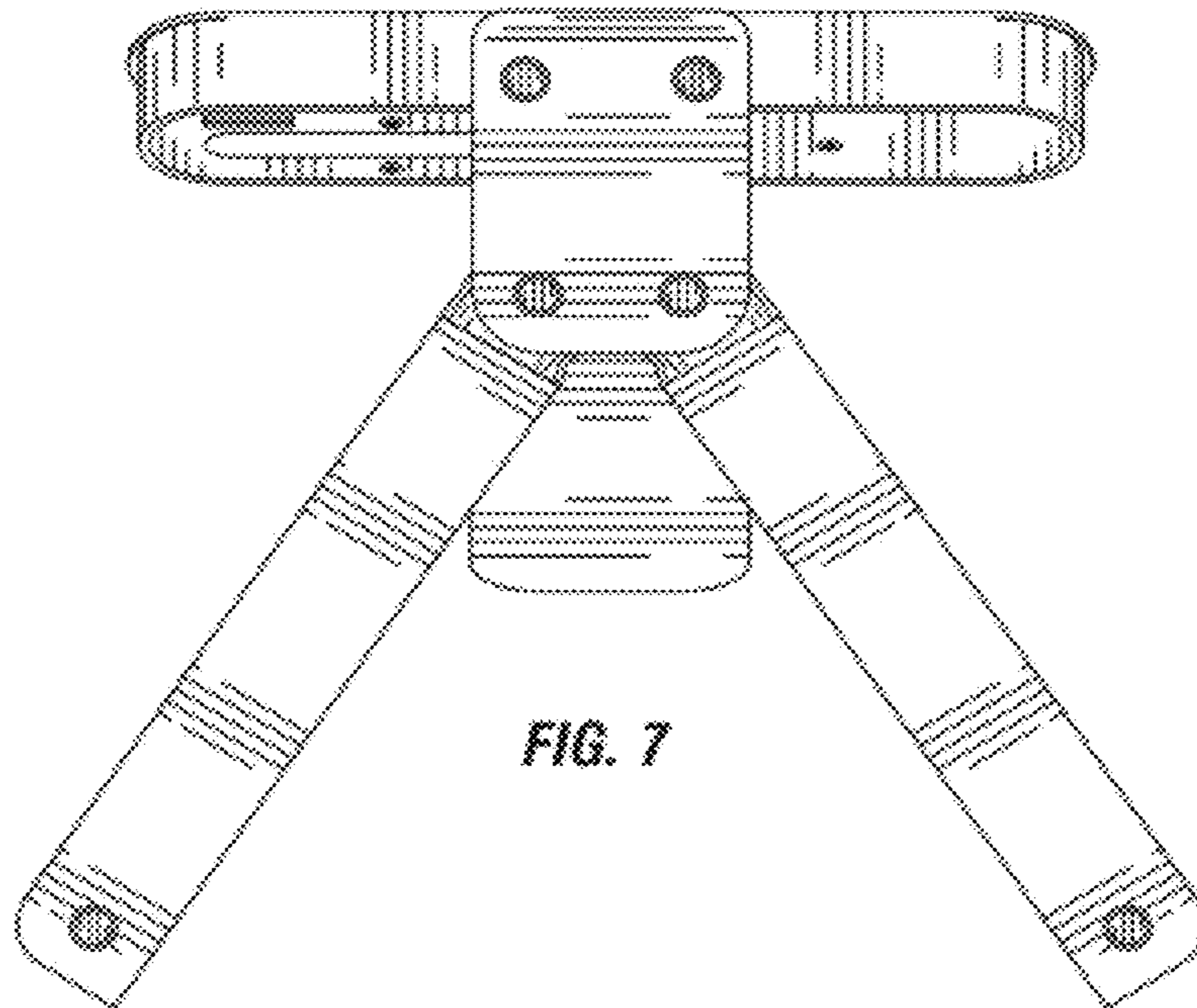


FIG. 7

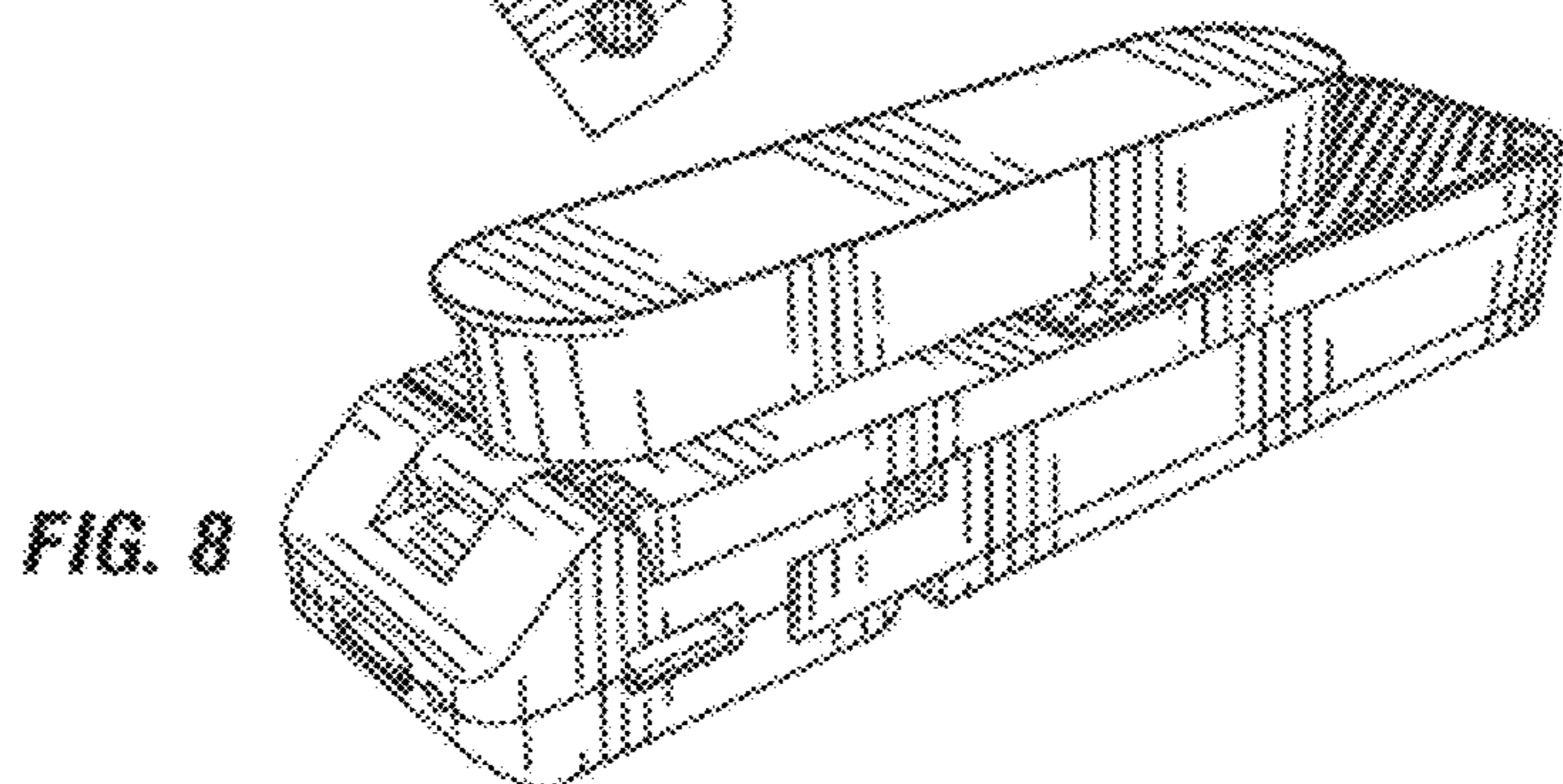


FIG. 8