

US00D674337S

(12) **United States Design Patent**  
**Au Yeung**

(10) **Patent No.:** **US D674,337 S**

(45) **Date of Patent:** **\*\* Jan. 15, 2013**

(54) **CHARGER**

(75) Inventor: **Kwok Keung Au Yeung**, New Territories (HK)

(73) Assignee: **Ariel Premium Supply, Inc.**, St. Louis, MO (US)

(\*\*) Term: **14 Years**

(21) Appl. No.: **29/420,599**

(22) Filed: **May 10, 2012**

(51) **LOC (9) Cl.** ..... **13-02**

(52) **U.S. Cl.** ..... **D13/108**

(58) **Field of Classification Search** ..... D13/106-110,  
D13/118-119, 184, 199; D14/251, 253,  
D14/432, 434; 320/107-115

See application file for complete search history.

(56) **References Cited**

**U.S. PATENT DOCUMENTS**

D323,504 S *	1/1992	Langton	.....	D14/142
D429,242 S *	8/2000	Sun	.....	D14/253
D475,011 S *	5/2003	Kataoka	.....	D13/108
D520,013 S *	5/2006	Yang	.....	D14/434
D529,440 S *	10/2006	Lodato et al.	.....	D13/108
D607,817 S *	1/2010	Tan	.....	D13/108
D621,405 S *	8/2010	Waite et al.	.....	D14/434
D624,919 S *	10/2010	Bull	.....	D14/434
D627,785 S *	11/2010	Bouthillier	.....	D14/434
D635,918 S *	4/2011	Le et al.	.....	D13/108

D637,952 S *	5/2011	Tan	.....	D13/108
D642,519 S *	8/2011	Woo et al.	.....	D13/108
D660,227 S *	5/2012	Rodbro	.....	D13/107
D664,528 S *	7/2012	Chen et al.	.....	D14/253
D666,995 S *	9/2012	TerMeer	.....	D14/217
2009/0051319 A1 *	2/2009	Fang et al.	.....	320/115
2010/0315041 A1 *	12/2010	Tan	.....	320/115

\* cited by examiner

*Primary Examiner* — Rosemary K Tarcza

(74) *Attorney, Agent, or Firm* — Intellectual Property Law Group LLP

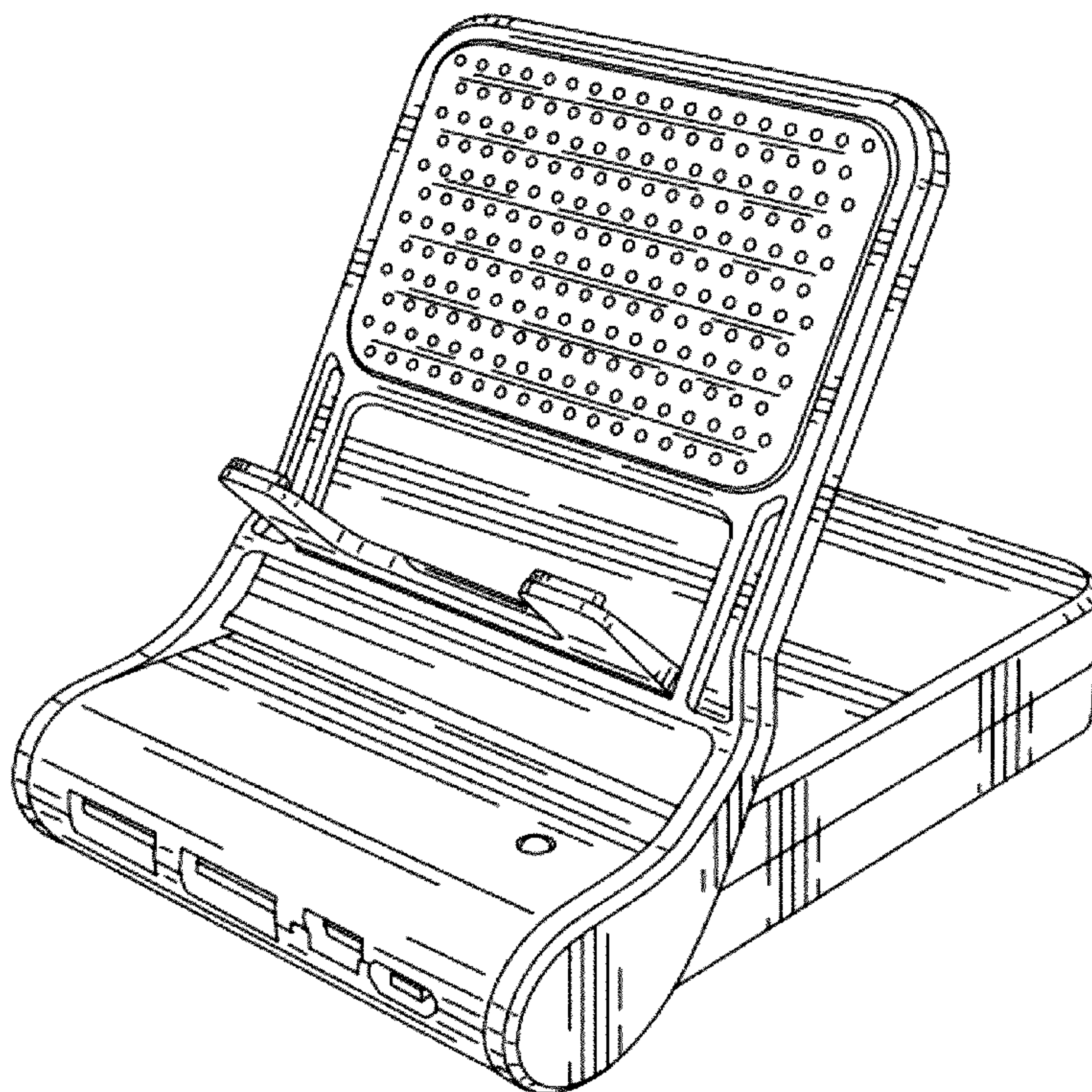
(57) **CLAIM**

The ornamental design for a charger, as shown and described.

**DESCRIPTION**

FIG. 1 is a front, top, right side perspective view of a charger embodying my new design;  
 FIG. 2 is a front view thereof;  
 FIG. 3 is a rear view thereof;  
 FIG. 4 is a right side view thereof, the left side view being a mirror image thereof;  
 FIG. 5 is a top plan view thereof;  
 FIG. 6 is a bottom plan view thereof; and,  
 FIG. 7 is a front, top, right side perspective view thereof with the stand rotated into a closed position.

**1 Claim, 3 Drawing Sheets**





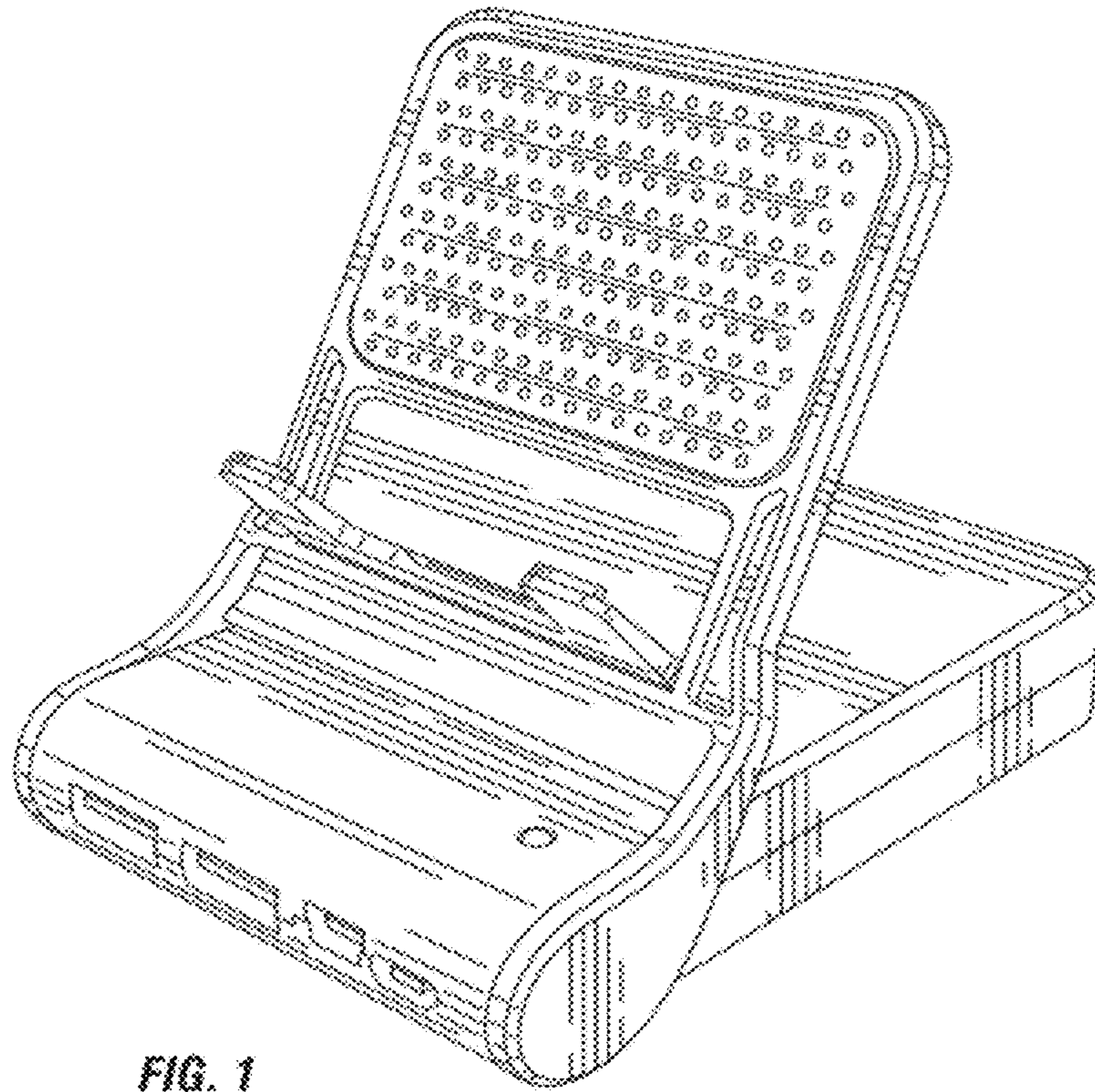


FIG. 1

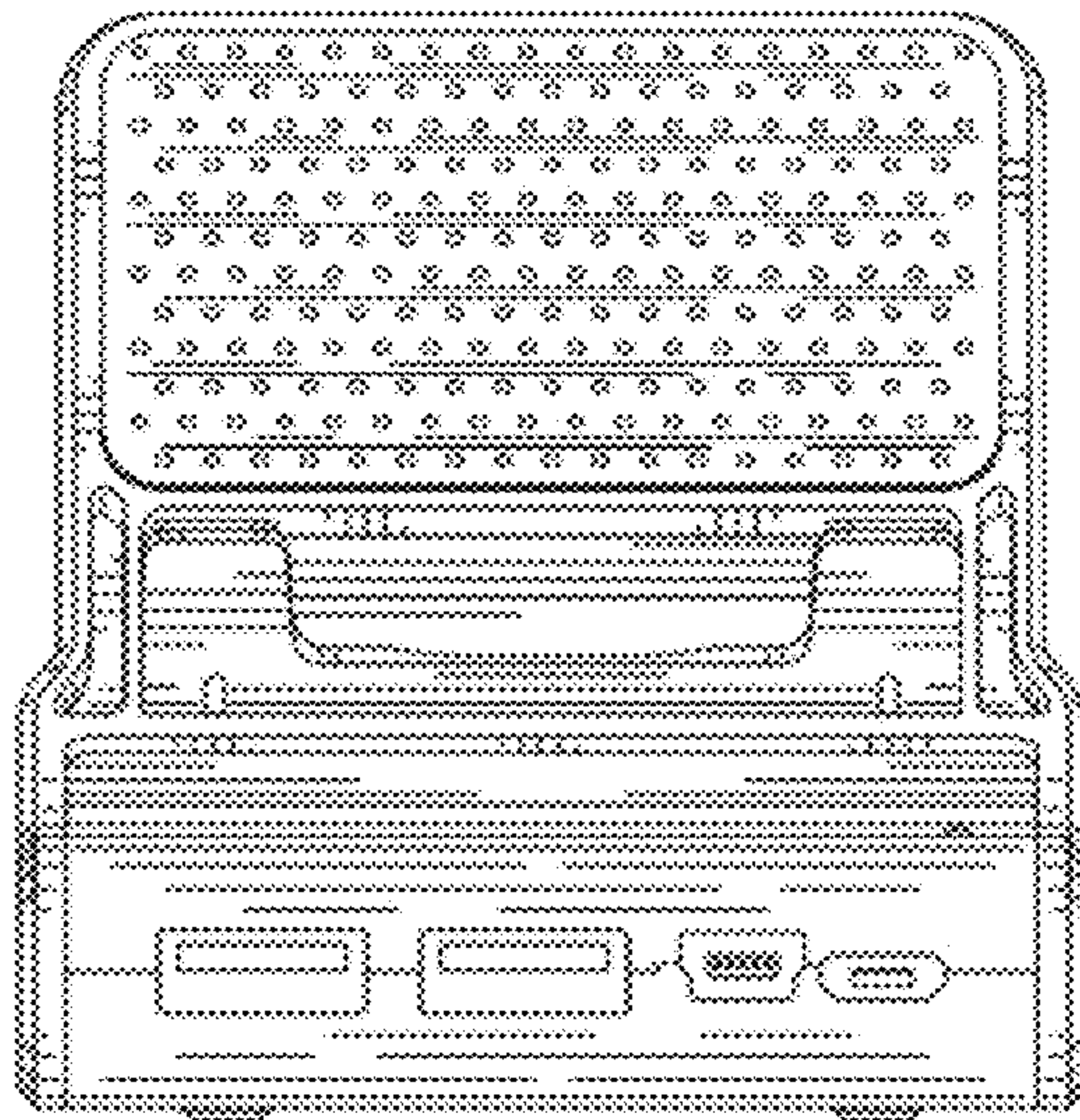


FIG. 2

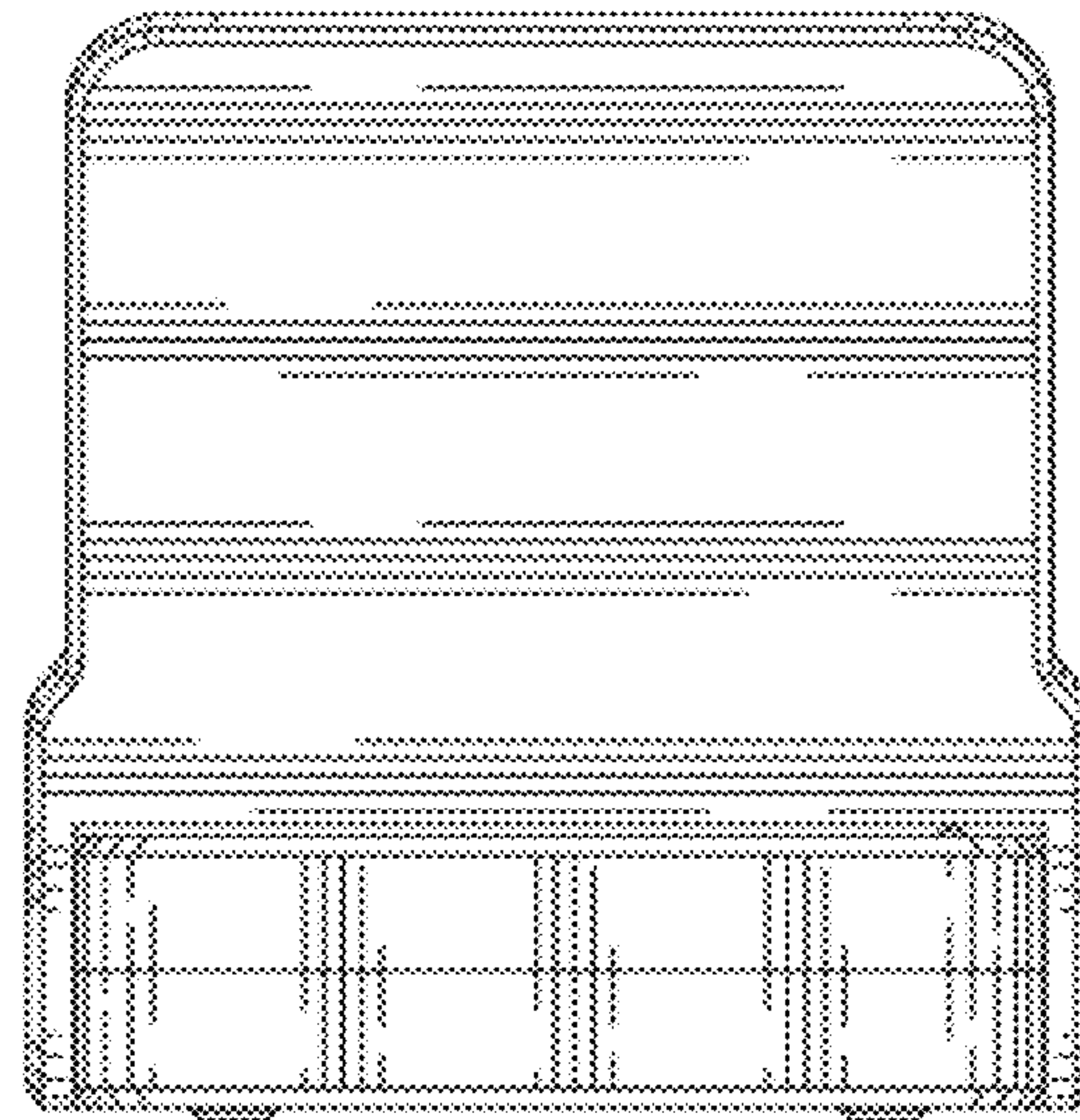


FIG. 3

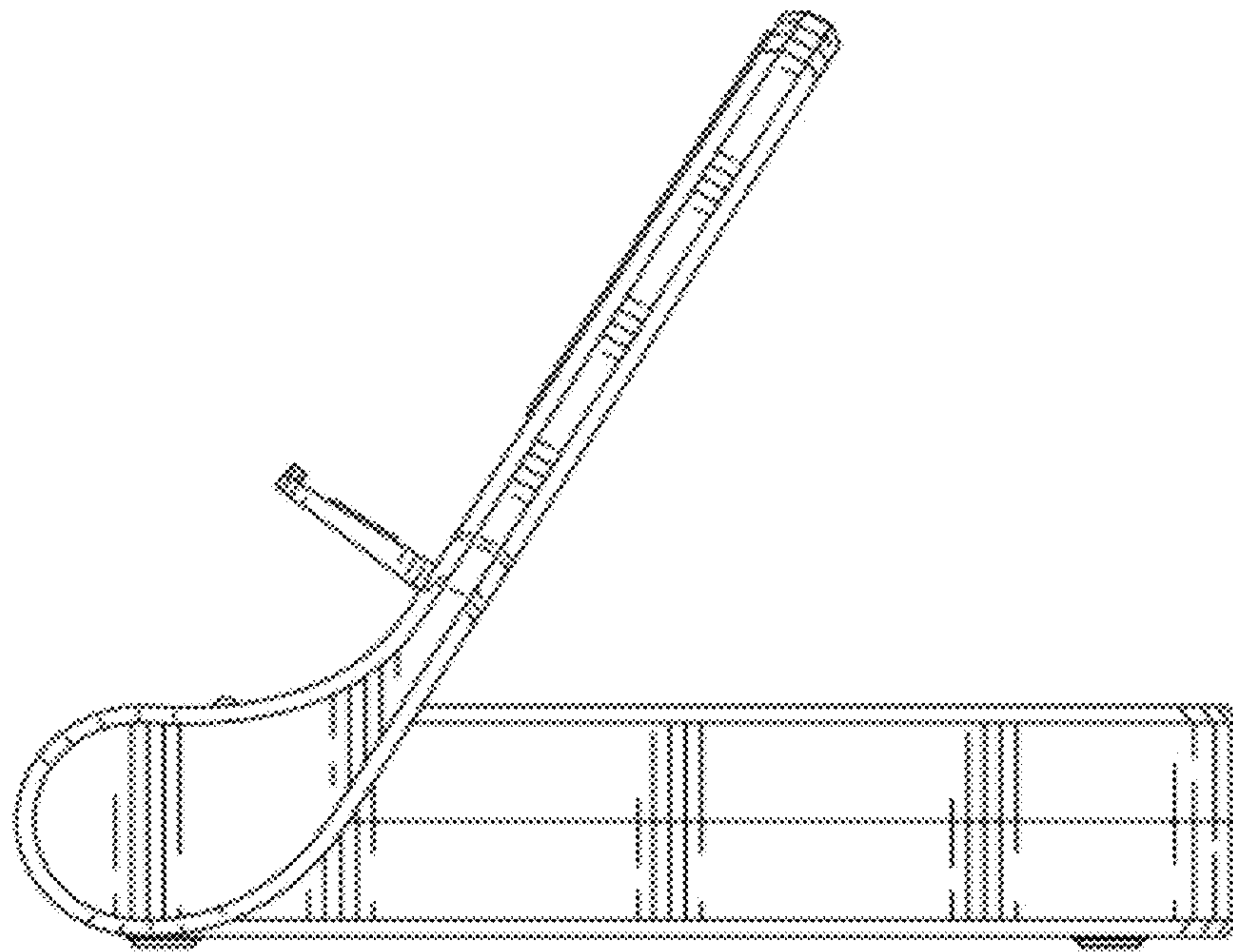


FIG. 4

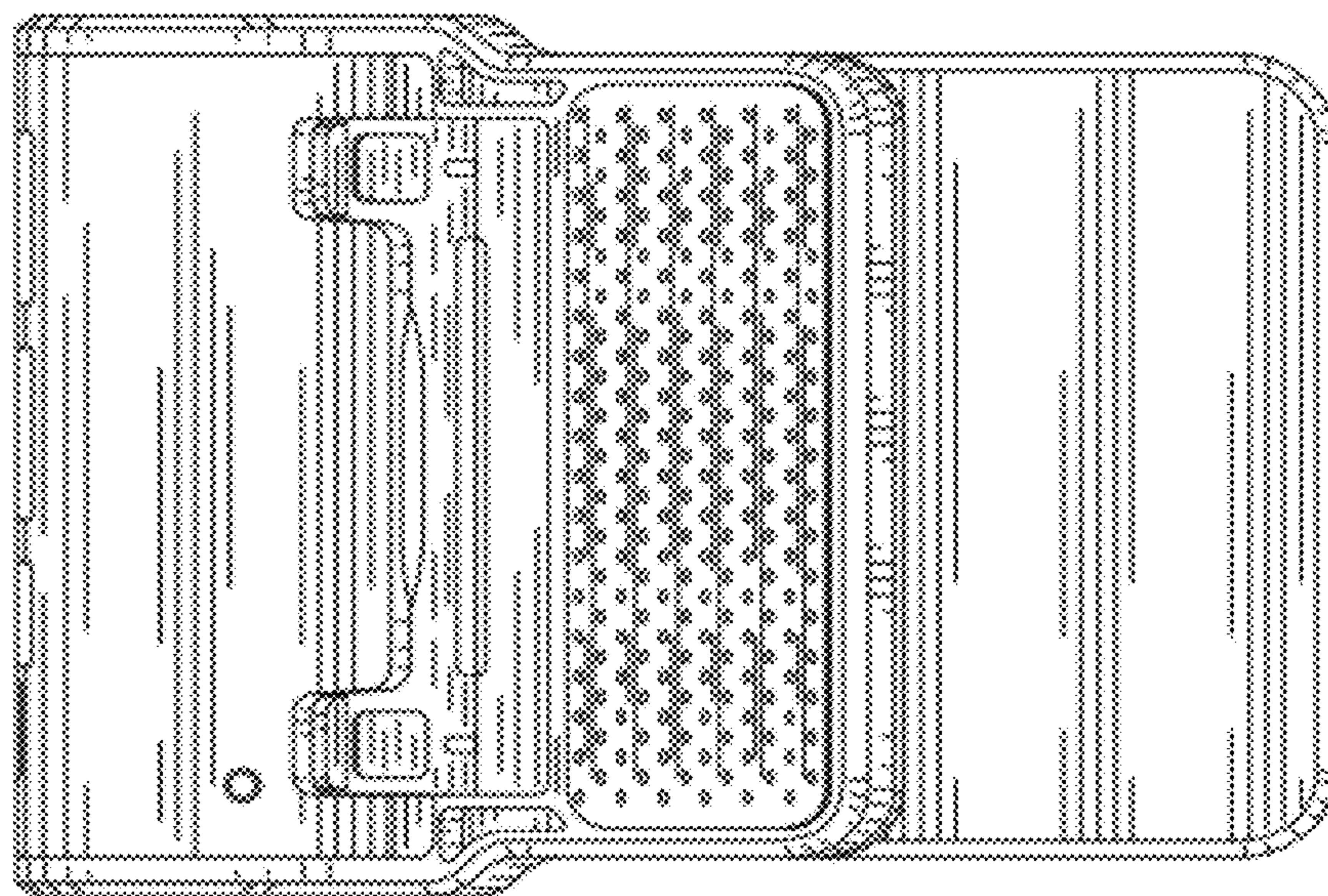


FIG. 5



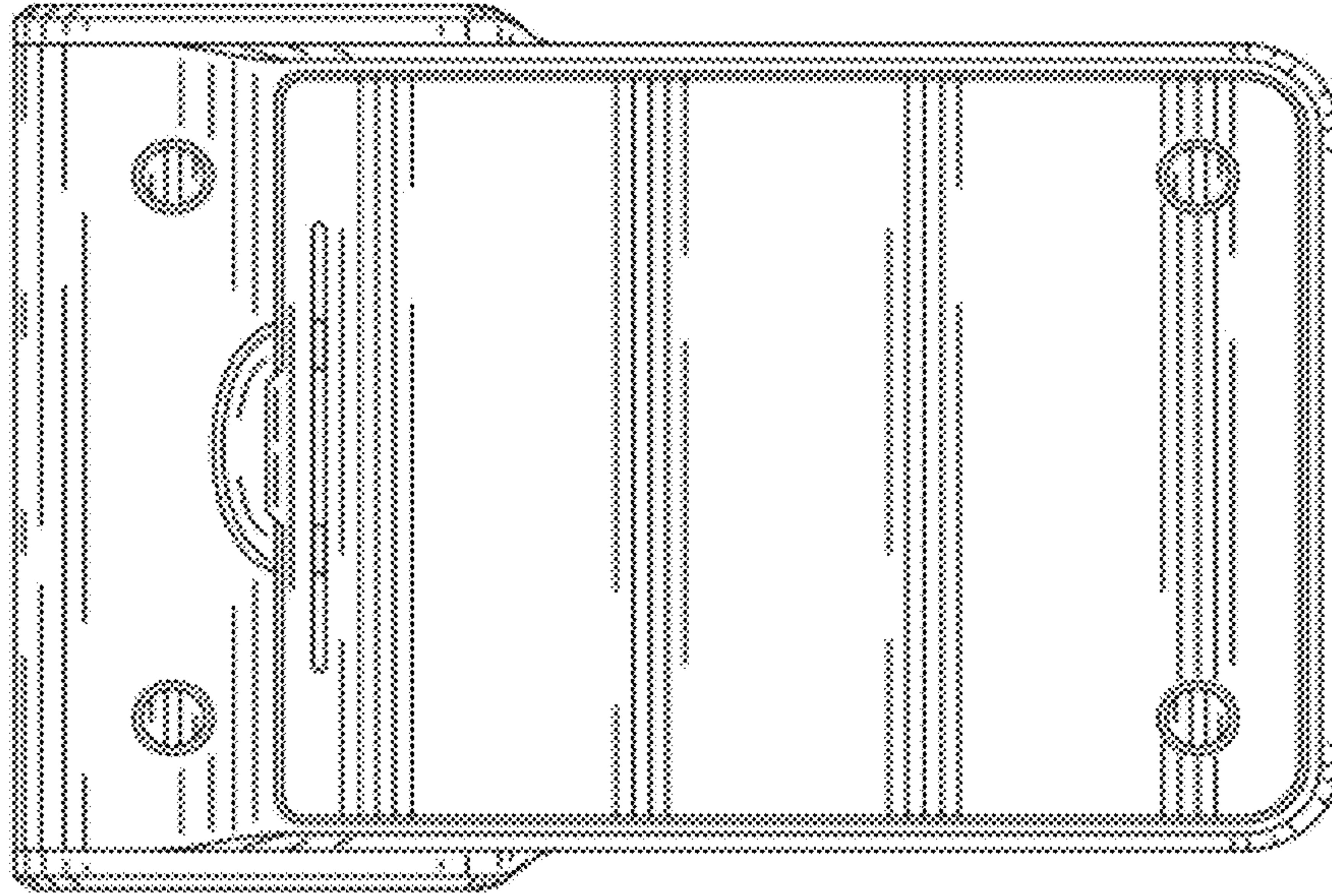


FIG. 6

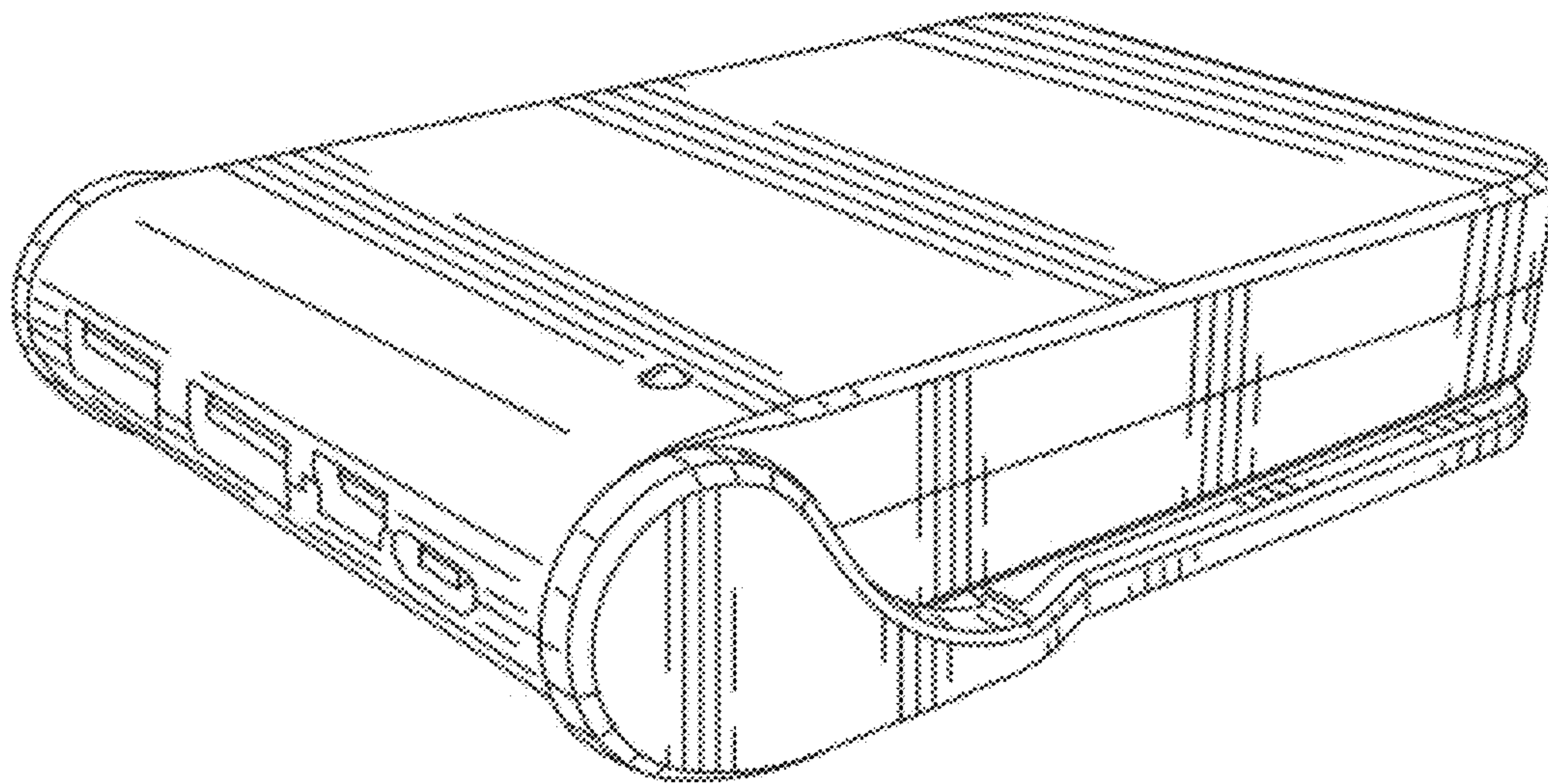


FIG. 7