

US00D674336S

(12) **United States Design Patent**
Suzuka et al.

(10) **Patent No.:** **US D674,336 S**
(45) **Date of Patent:** **** Jan. 15, 2013**

(54) **CHARGER**

(75) Inventors: **Fumitoshi Suzuka**, Sayama (JP); **Akira Takagi**, Kunitachi (JP); **Kazuya Kato**, Nagaokakyo (JP); **Hiroaki Fukuchi**, Nagaokakyo (JP)

(73) Assignee: **Murata Manufacturing Co., Ltd.**, Nagaokakyo-Shi, Kyoto-fu (JP)

(**) Term: **14 Years**

(21) Appl. No.: **29/415,648**

(22) Filed: **Mar. 13, 2012**

(30) **Foreign Application Priority Data**

Sep. 21, 2011 (JP) 2011-021569

(51) **LOC (9) Cl.** **13-02**

(52) **U.S. Cl.** **D13/108**

(58) **Field of Classification Search** D13/106–110, D13/118–119, 184, 199; D14/251, 253, D14/432, 434; 320/107–115

See application file for complete search history.

(56) **References Cited**

U.S. PATENT DOCUMENTS

D323,504 S * 1/1992 Langton D14/142
D344,708 S * 3/1994 Ho D13/108
D453,155 S * 1/2002 Michel D14/253

D454,131 S * 3/2002 Lord D14/434
D475,011 S * 5/2003 Kataoka D13/108
D507,526 S * 7/2005 Ohta D13/108
D606,545 S * 12/2009 Salmon D14/434
D635,979 S * 4/2011 Wu et al. D14/434
D642,519 S * 8/2011 Woo et al. D13/108
D646,268 S * 10/2011 DeLorenzo et al. D14/253
D652,834 S * 1/2012 Jones et al. D14/434
2010/0315041 A1* 12/2010 Tan 320/115

* cited by examiner

Primary Examiner — Rosemary K Tarcza

(74) *Attorney, Agent, or Firm* — Dickstein Shapiro LLP

(57) **CLAIM**

The ornamental design for a charger, as shown.

DESCRIPTION

FIG. 1 is a front view of a charger showing our new design; FIG. 2 is a rear view thereof; FIG. 3 is a top plan view thereof; FIG. 4 is a bottom plan view thereof; FIG. 5 is a right side view thereof; FIG. 6 is a left side view thereof; FIG. 7 is a perspective view thereof; and, FIG. 8 is a sectional view taken along line 8-8 of FIG. 1 omitting internal structure thereof.

1 Claim, 4 Drawing Sheets

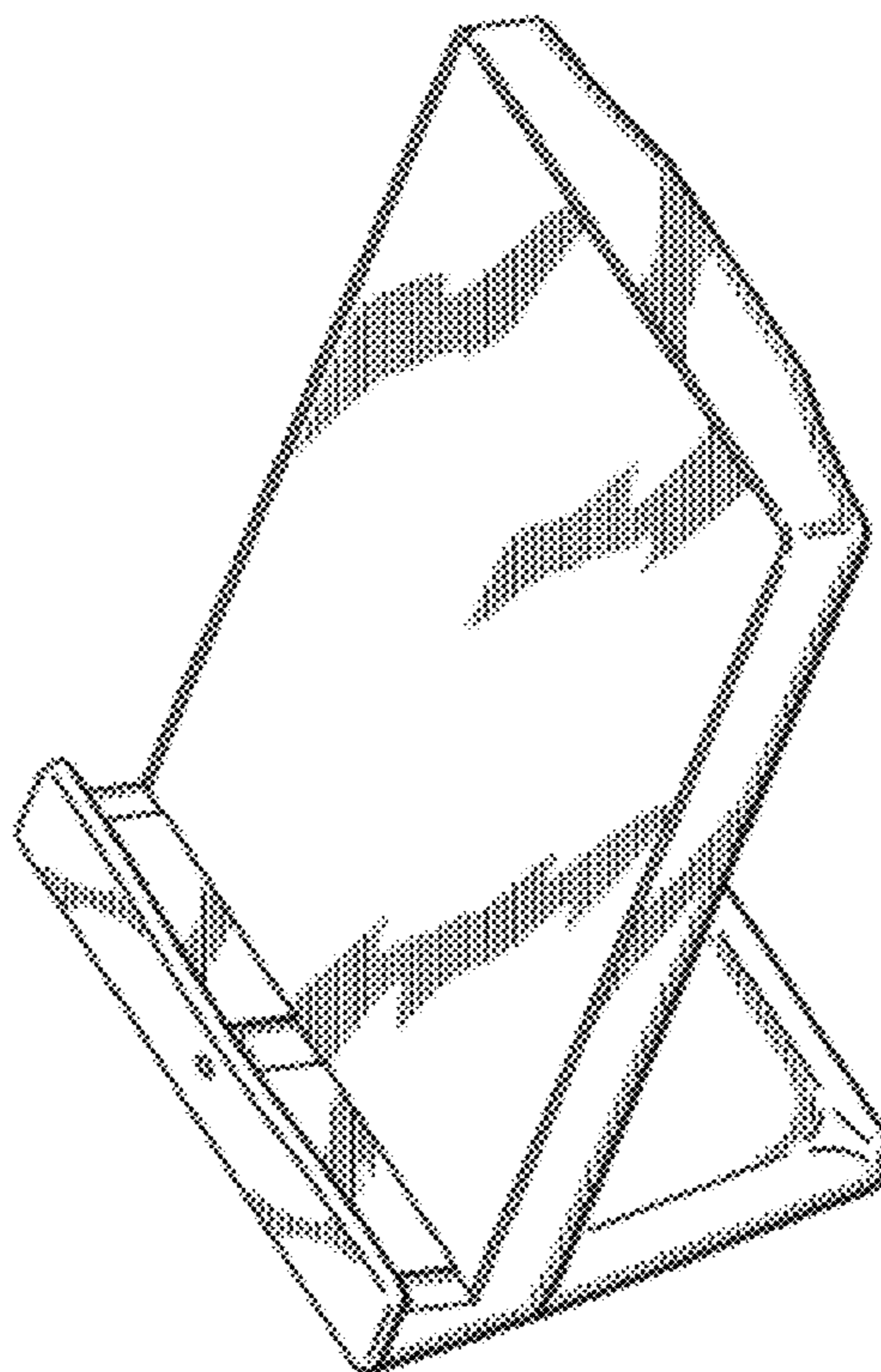


FIG. 1



FIG. 2

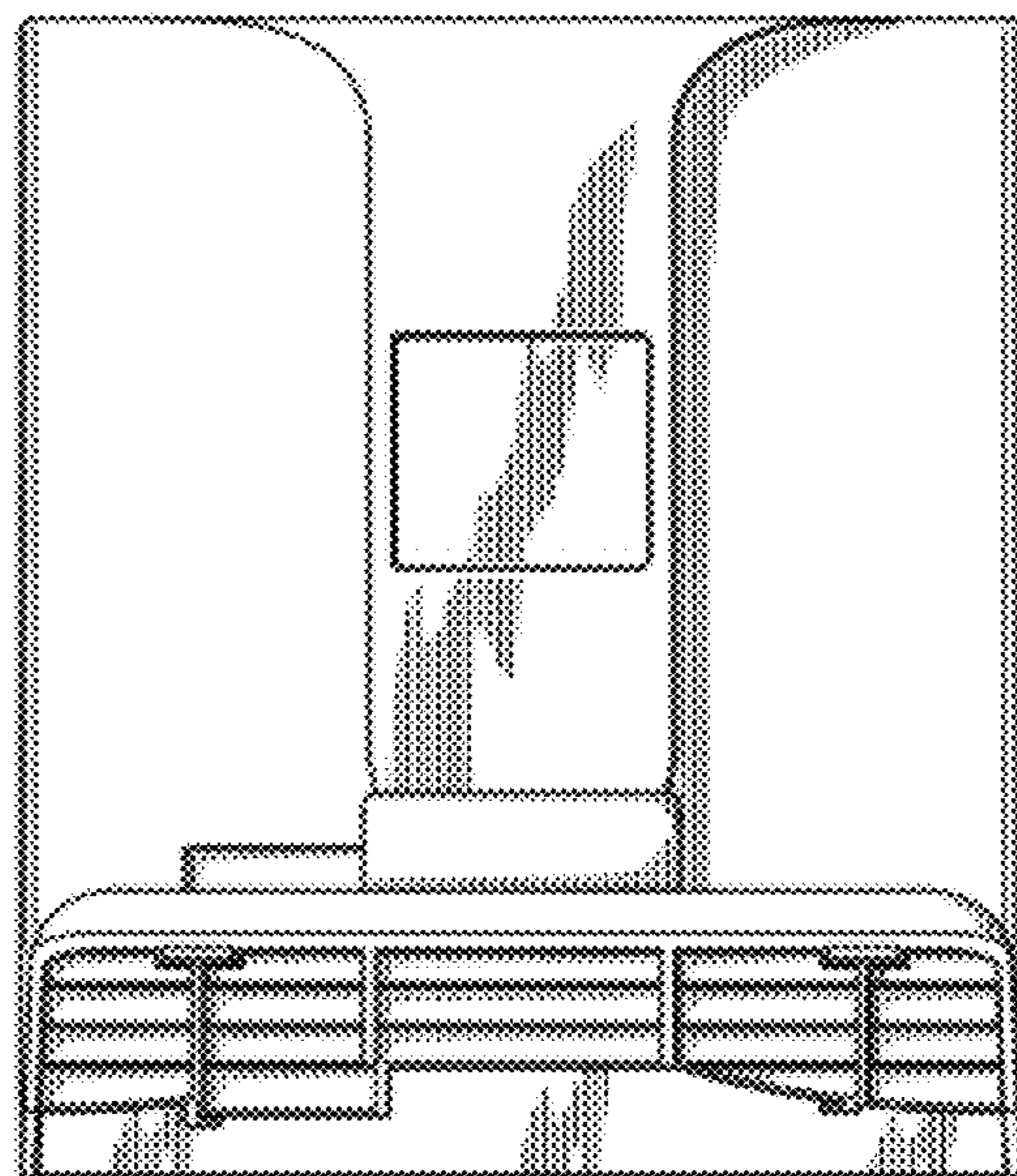


FIG.3

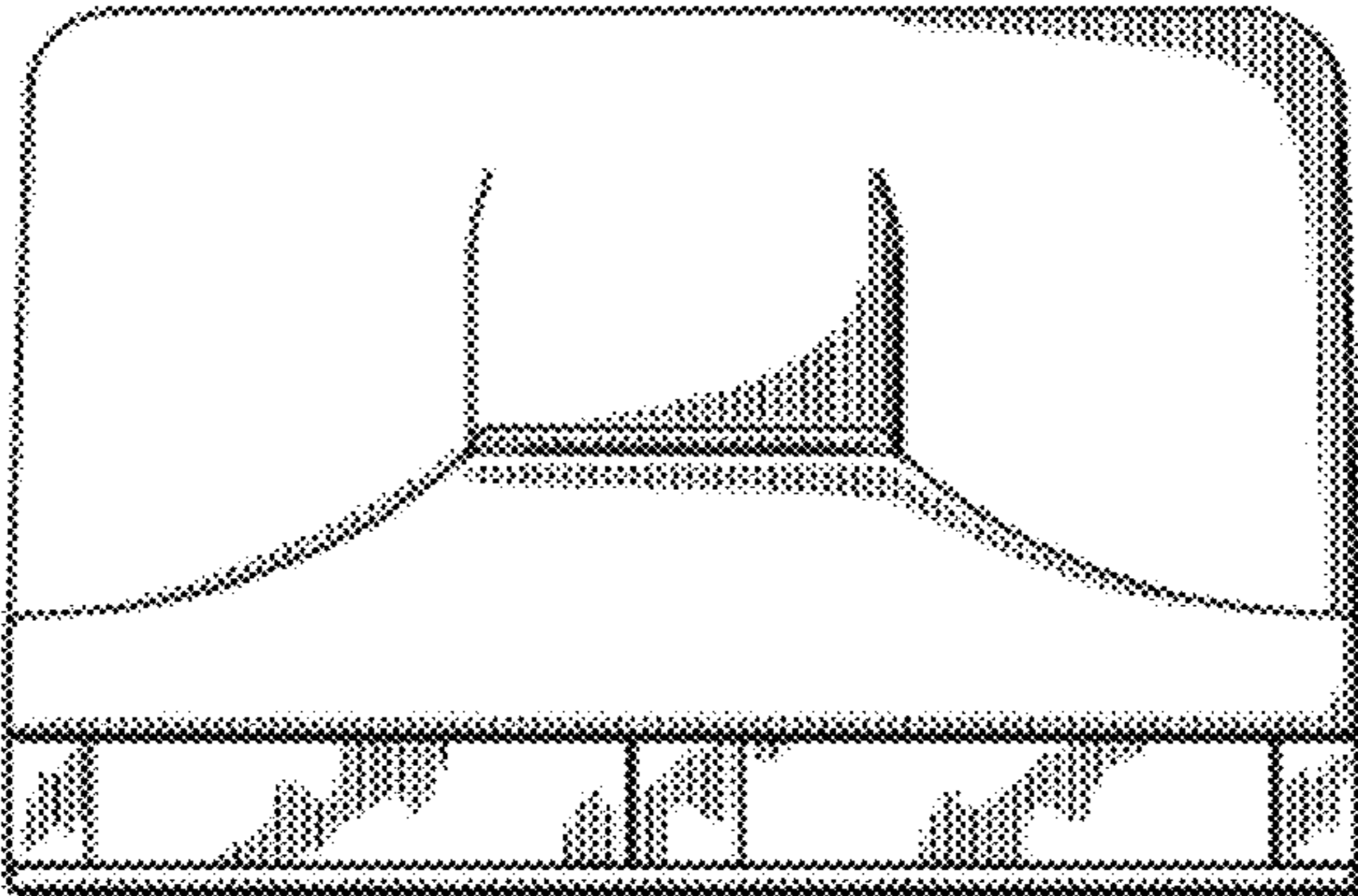


FIG.4

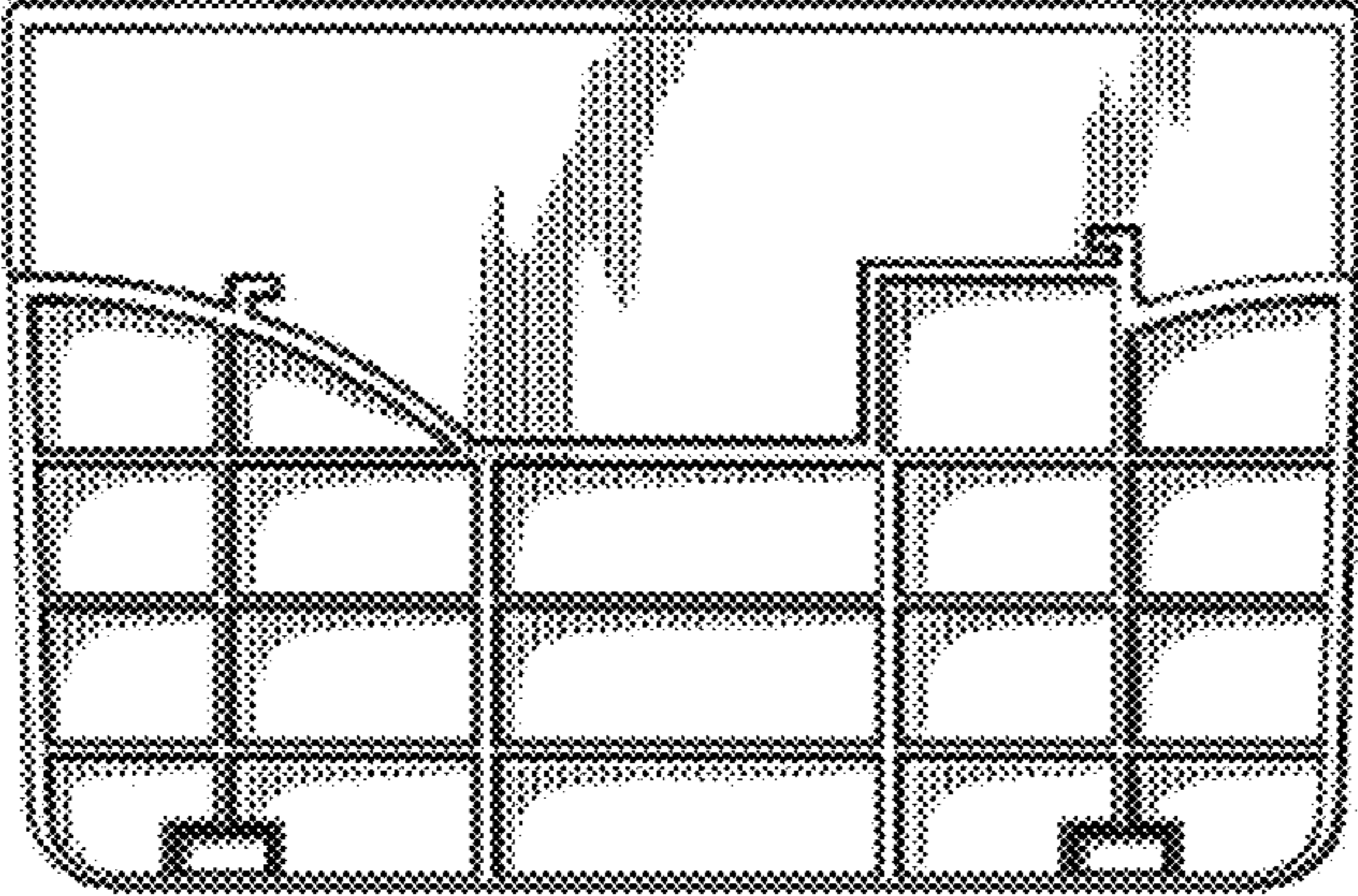


FIG.5

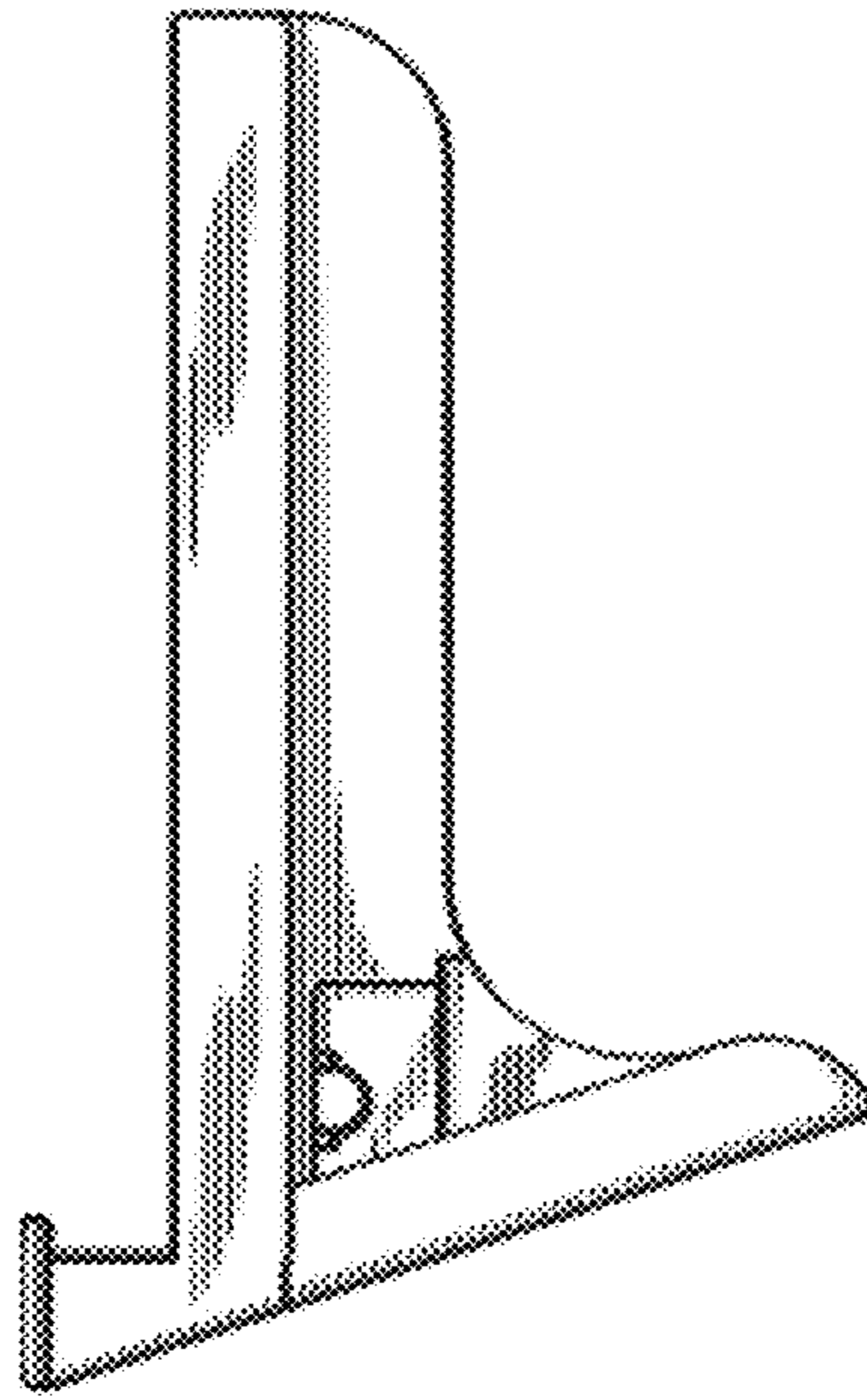


FIG.6

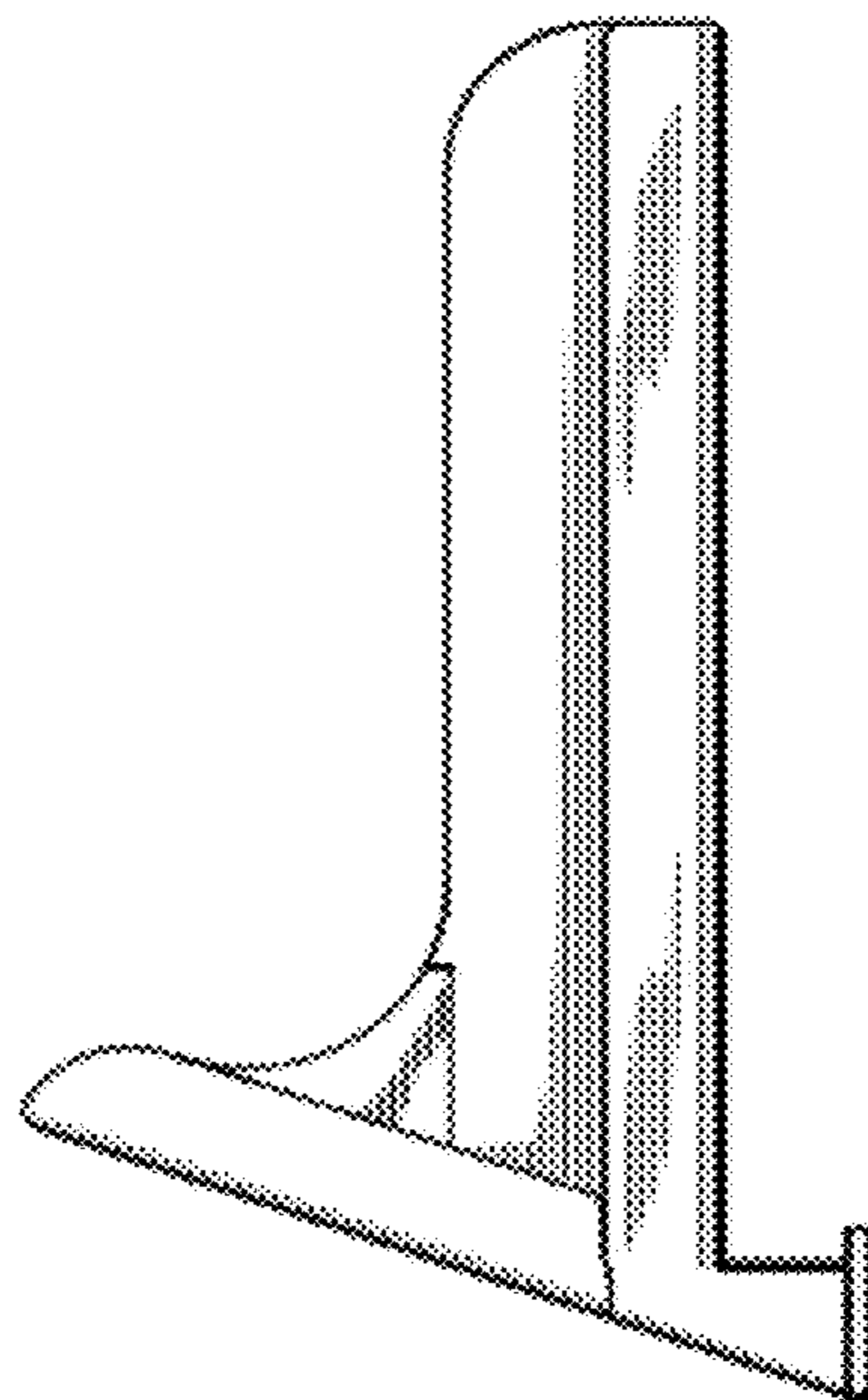


FIG.7

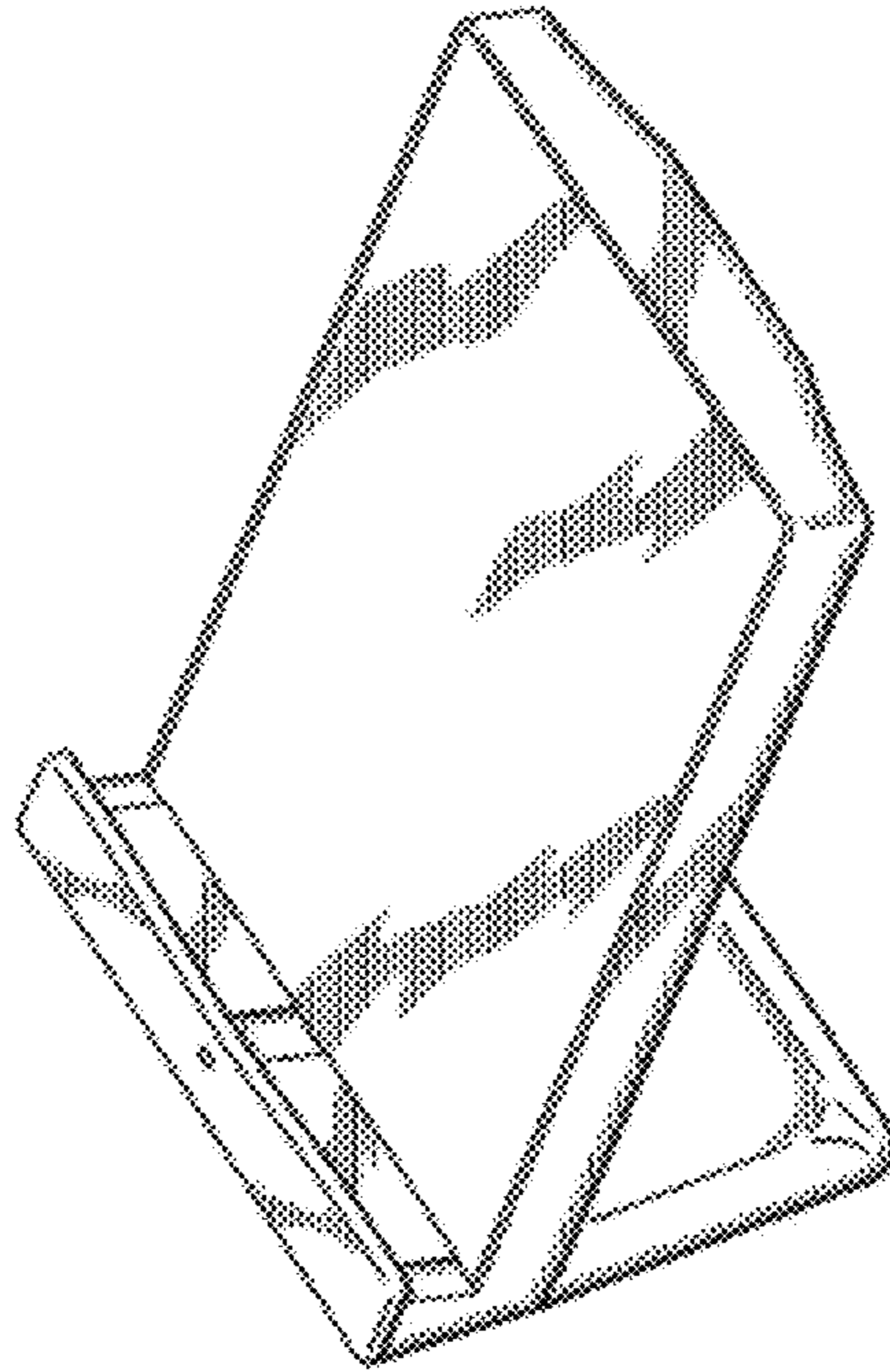


FIG.8

