

US00D674332S

(12) **United States Design Patent**
Tanaka

(10) **Patent No.:** **US D674,332 S**
(45) **Date of Patent:** **** Jan. 15, 2013**

(54) **BATTERY**
(75) Inventor: **Soichi Tanaka**, Tokyo (JP)
(73) Assignee: **Sony Corporation**, Tokyo (JP)
(**) Term: **14 Years**
(21) Appl. No.: **29/371,863**
(22) Filed: **Nov. 4, 2011**

D554,579 S 11/2007 Ogasawara
D554,580 S 11/2007 Ogasawara
D558,140 S 12/2007 Kumano
D580,350 S 11/2008 Iseki
D580,850 S 11/2008 Iseki
D581,866 S 12/2008 Choi et al.
D591,673 S * 5/2009 Ogasawara D13/103
D603,330 S 11/2009 Iseki
D616,362 S * 5/2010 Chang et al. D13/103
D635,507 S * 4/2011 Ueda et al. D13/103
D654,851 S * 2/2012 Tanaka D13/103

Related U.S. Application Data

(63) Continuation of application No. 29/371,465, filed on Mar. 9, 2011, now Pat. No. Des. 654,851.

Foreign Application Priority Data

Dec. 10, 2010 (JP) D2010-029435
Dec. 10, 2010 (JP) D2010-029436
(51) **LOC (9) Cl.** **13-02**
(52) **U.S. Cl.** **D13/103**
(58) **Field of Classification Search** D13/102-106,
D13/110, 118-119, 184; 429/96-100, 163,
429/176
See application file for complete search history.

References Cited

U.S. PATENT DOCUMENTS

D335,277 S * 5/1993 Hattori D13/103
D406,561 S * 3/1999 Goto D13/103
D431,227 S 9/2000 Ogasawara
D431,808 S 10/2000 Ogasawara
D448,003 S * 9/2001 Ogasawara D13/103
D457,857 S * 5/2002 Ogasawara D13/103
D476,949 S * 7/2003 Wada D13/103
D477,275 S 7/2003 Wada
D517,475 S 3/2006 Yokota
D519,919 S 5/2006 Yokota
D520,942 S 5/2006 Yokota
D521,448 S 5/2006 Yokota
D521,449 S 5/2006 Yokota
D531,574 S * 11/2006 Yamada D13/103
D531,575 S * 11/2006 Yamada D13/103
D535,249 S 1/2007 Ogasawara
D539,730 S * 4/2007 Kawase D13/103

FOREIGN PATENT DOCUMENTS

CN 301215628 S 5/2010
CN 301215629 S 5/2010
JP D1356496 S 4/2009
JP D1386508 S 5/2010
JP D1396157 S 9/2010
JP D1402031 S 11/2010

* cited by examiner

Primary Examiner — Rosemary K Tarcza

(74) *Attorney, Agent, or Firm* — Rader, Fishman & Grauer PLLC

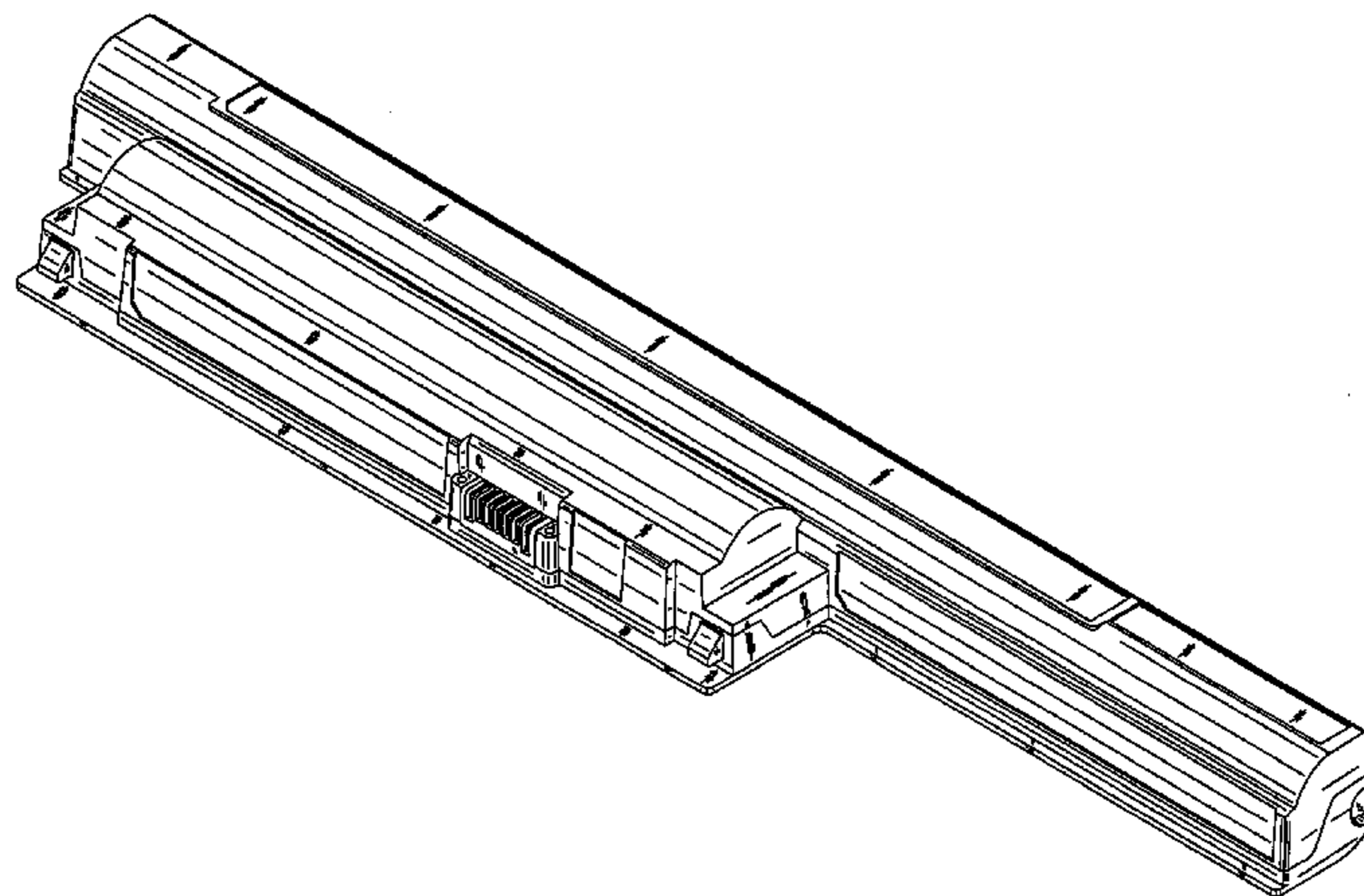
(57) **CLAIM**

The ornamental design for a battery, as shown.

DESCRIPTION

FIG. 1 is a perspective view of a battery showing my new design;
FIG. 2 is a front elevational view thereof;
FIG. 3 is a rear elevational view thereof.
FIG. 4 is a left side elevational view thereof;
FIG. 5 is a right side elevational view thereof;
FIG. 6 is a top plan view thereof; and
FIG. 7 is a bottom plan view thereof.
FIG. 8 is a perspective view of a second embodiment of a battery showing my new design;
FIG. 9 is a front elevational view thereof;
FIG. 10 is a rear elevational view thereof;
FIG. 11 is a left side elevational view thereof;
FIG. 12 is a right side elevational view thereof;
FIG. 13 is a top plan view thereof; and,
FIG. 14 is a bottom plan view thereof.

1 Claim, 8 Drawing Sheets



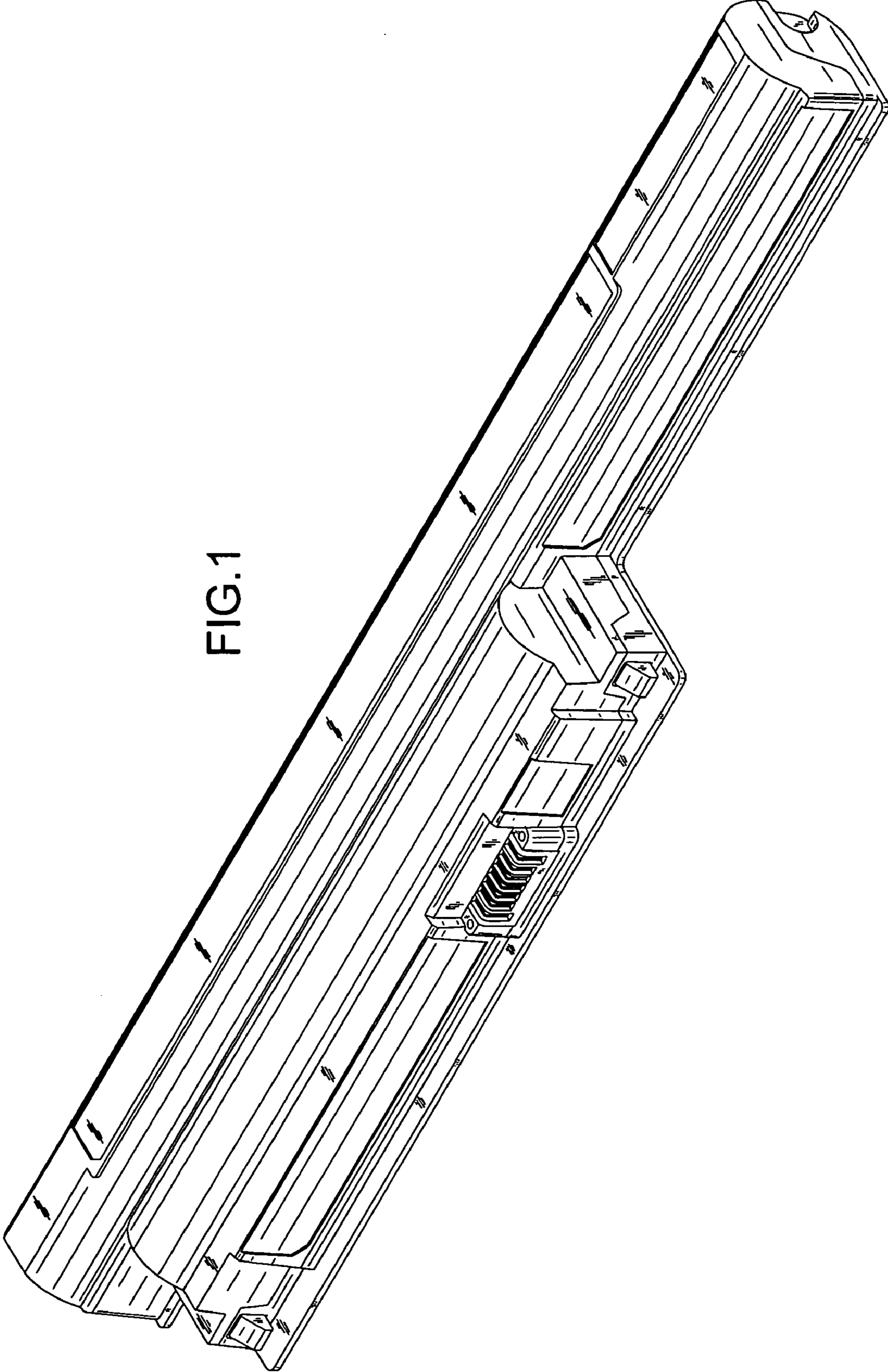


FIG.1

FIG.2

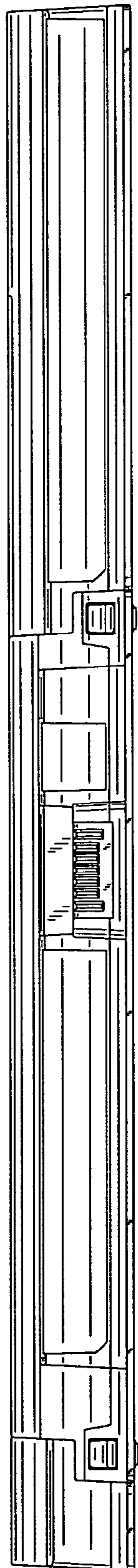


FIG.3

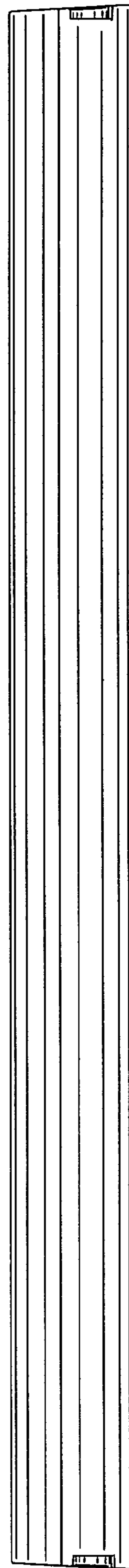


FIG.4

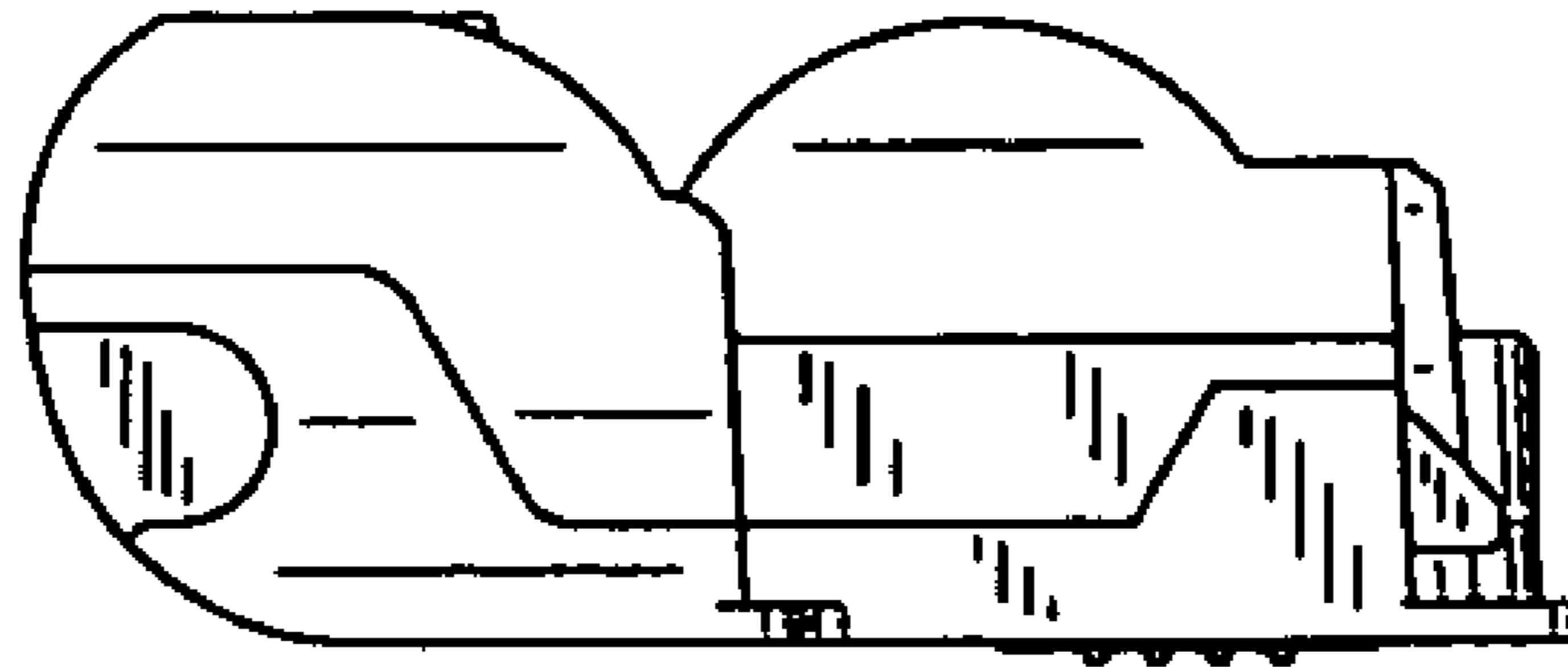


FIG.5

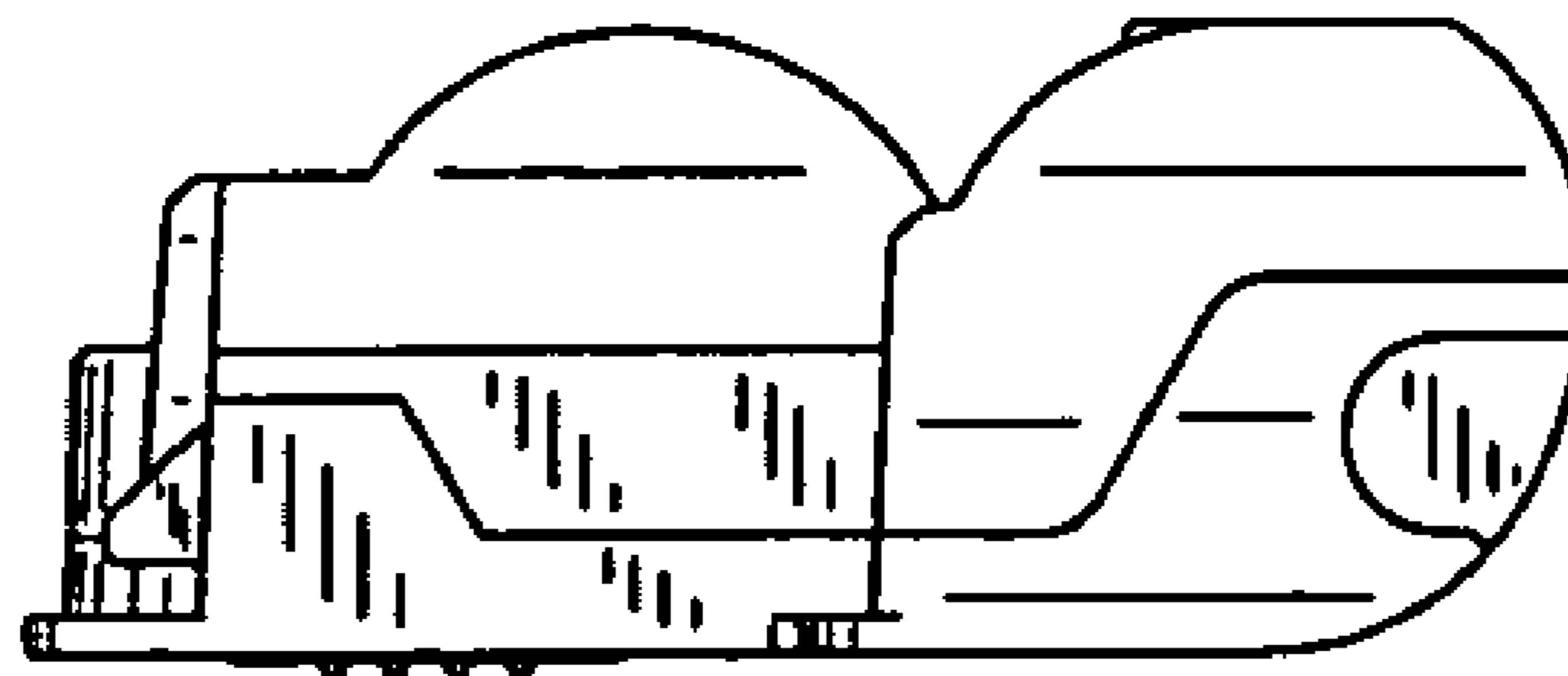


FIG.6

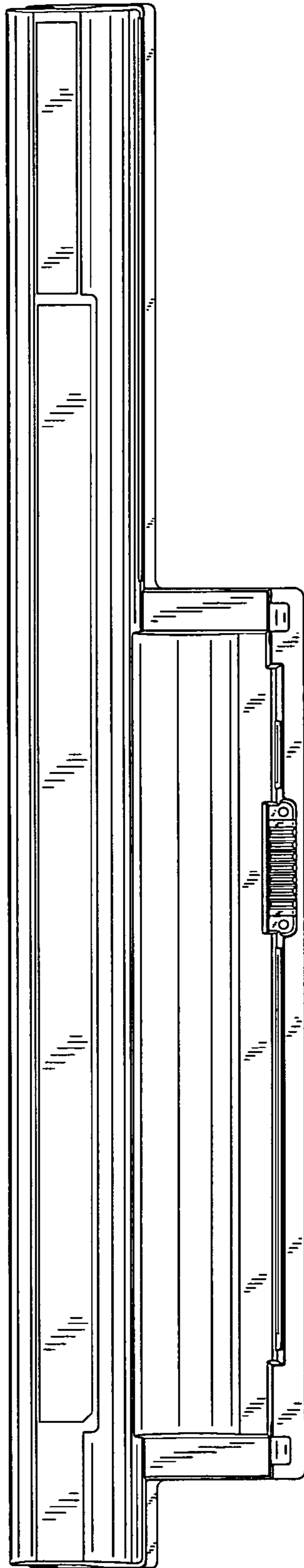


FIG.7

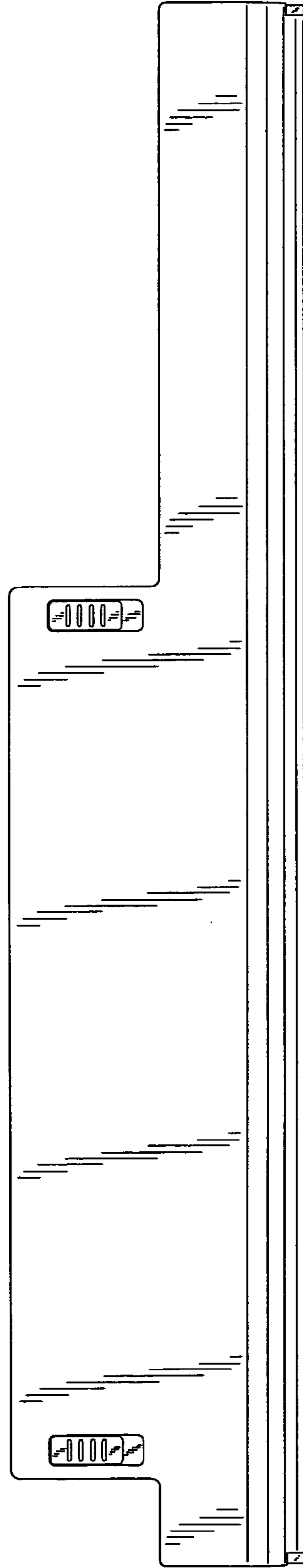


FIG.8

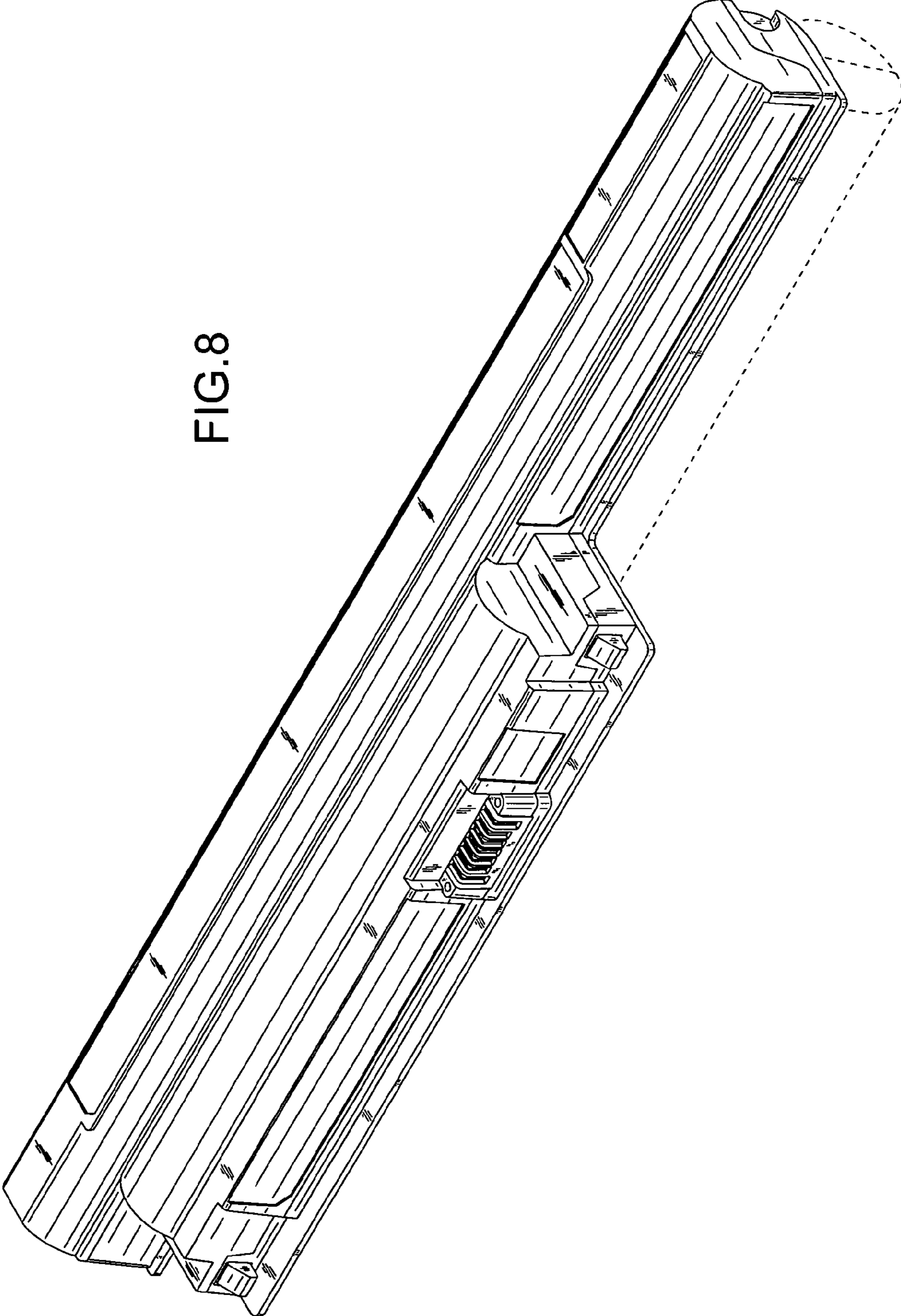


FIG.9

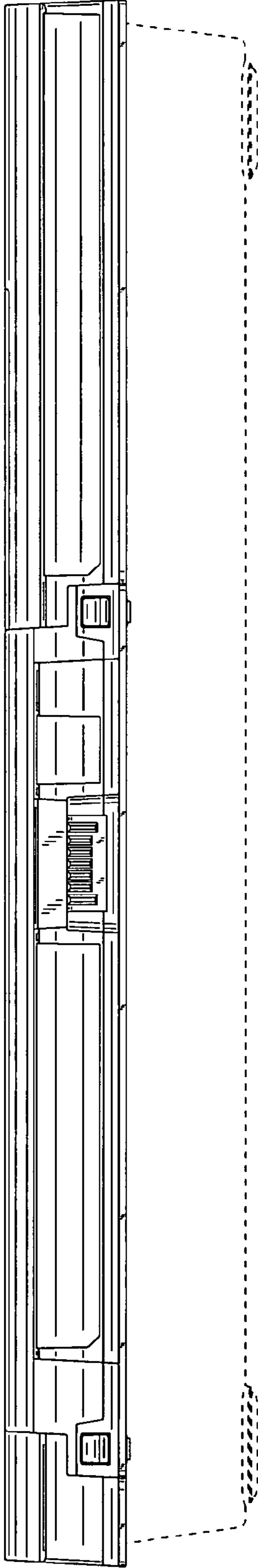


FIG.10

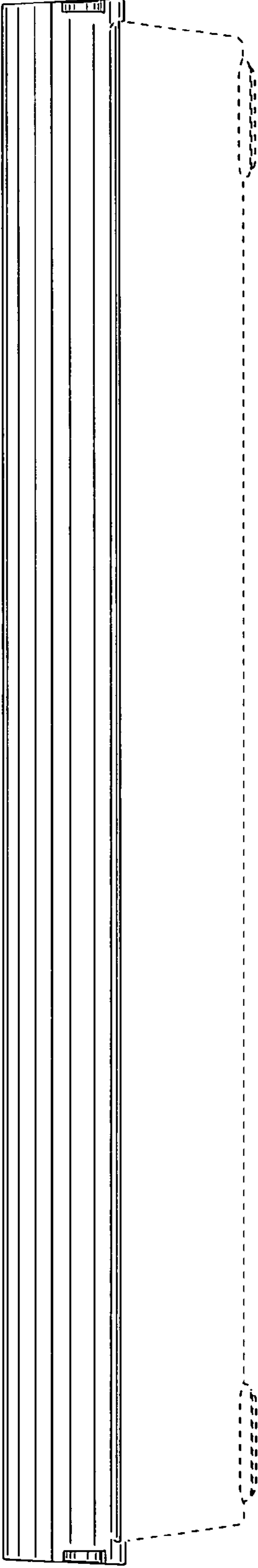


FIG.11

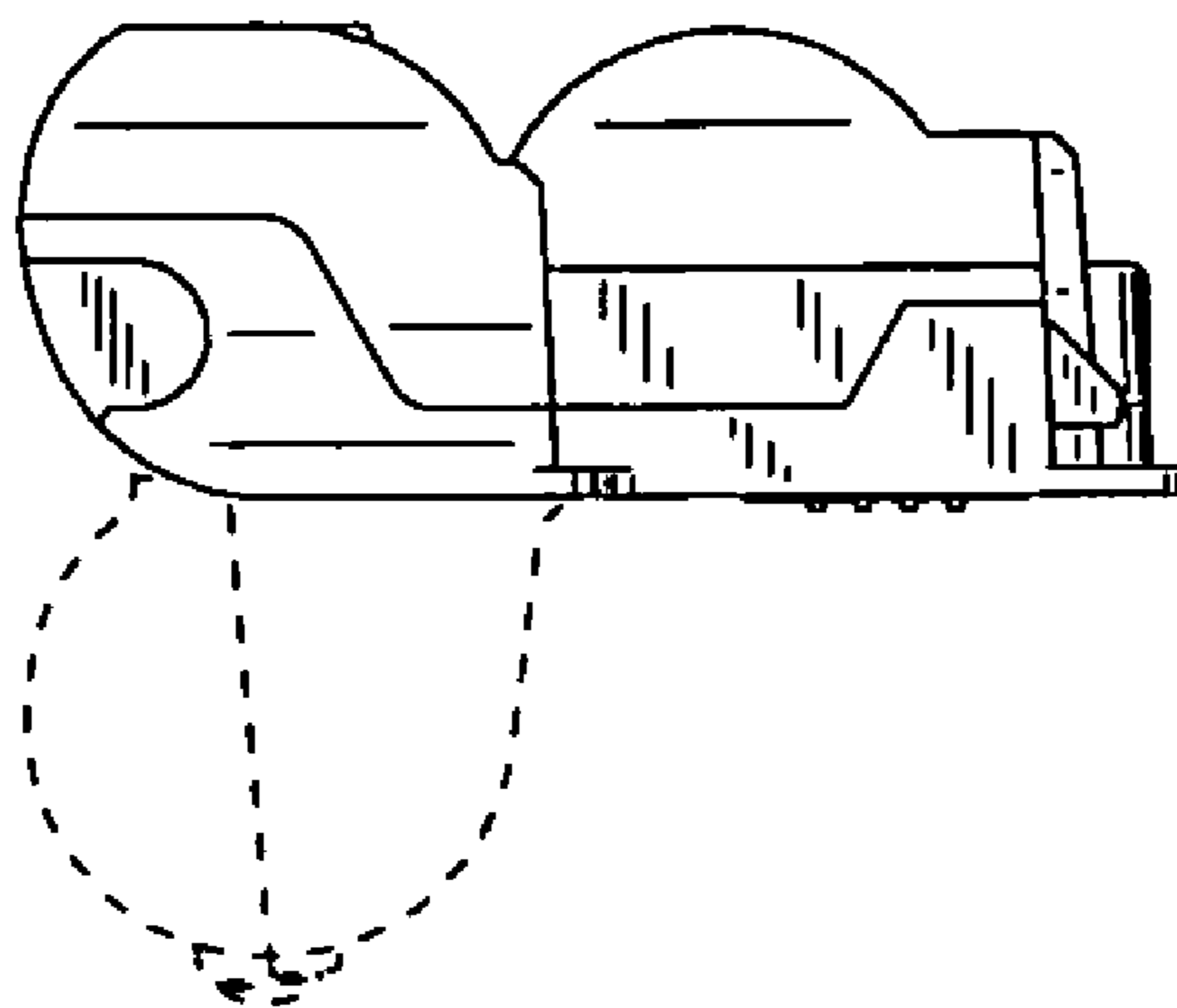


FIG.12

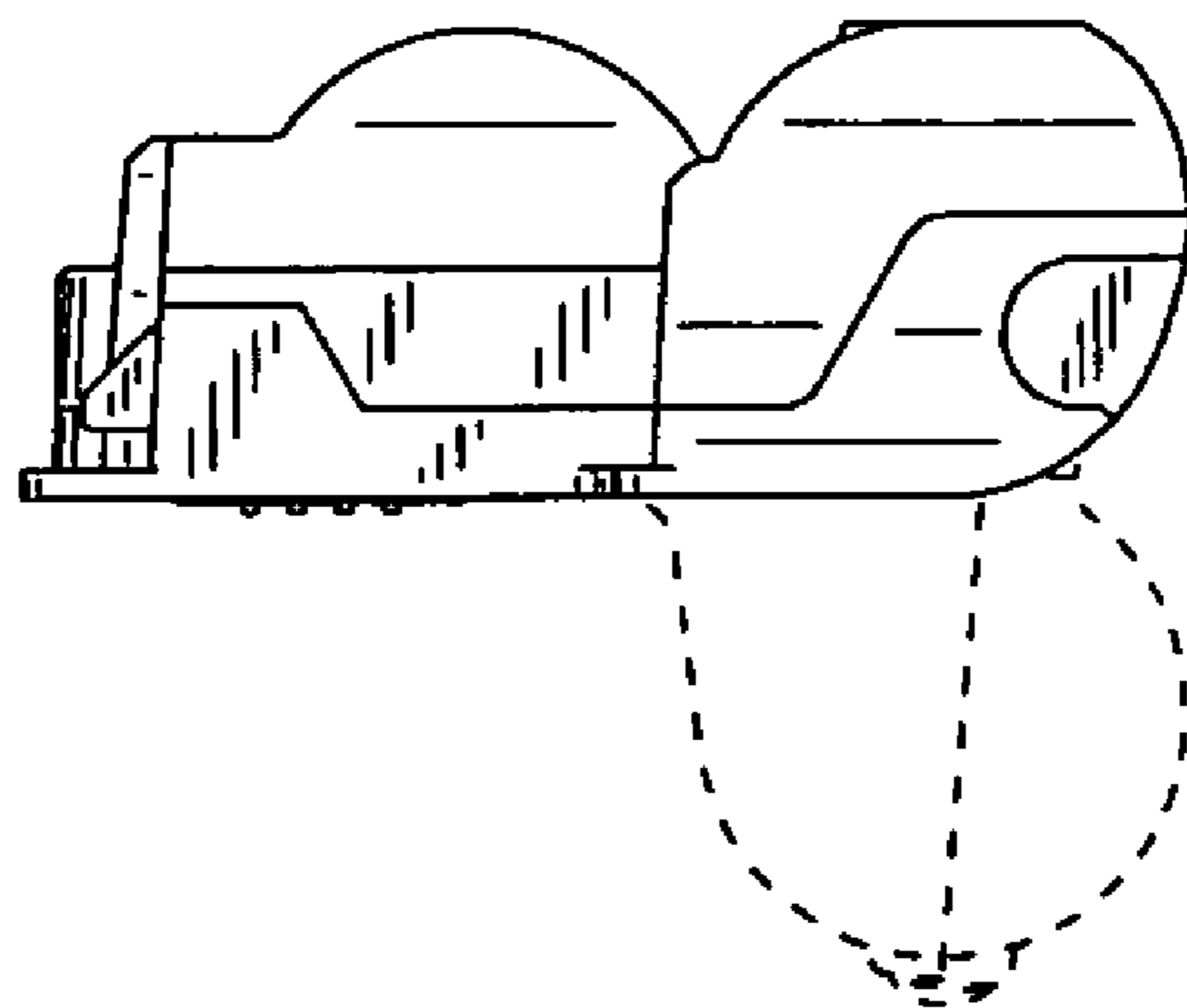


FIG.13

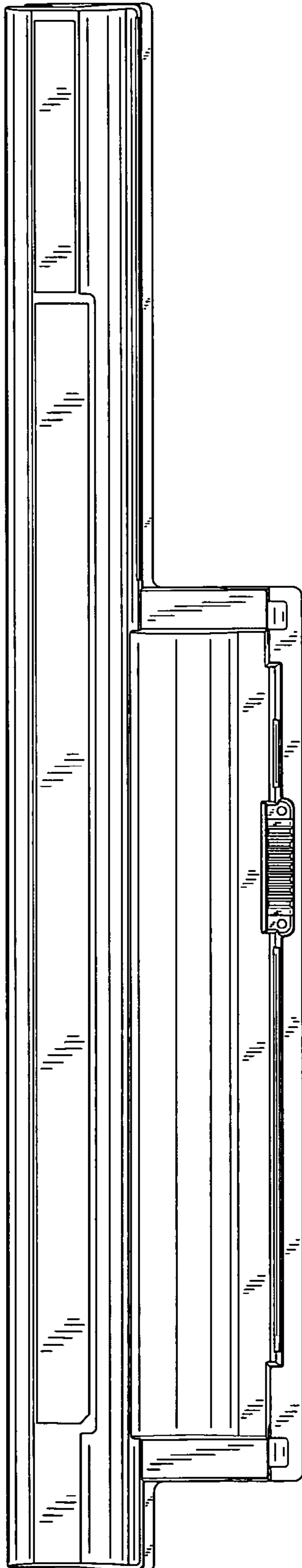


FIG.14

