



US00D674331S

(12) **United States Design Patent**
Feuerherdt

(10) **Patent No.:** **US D674,331 S**

(45) **Date of Patent:** **** Jan. 15, 2013**

(54) **WHEEL OR WHEEL COVER**

(75) Inventor: **Ingo Feuerherdt**, Stuttgart (DE)

(73) Assignee: **Daimler AG**, Stuttgart (DE)

(**) Term: **14 Years**

(21) Appl. No.: **29/371,251**

(22) Filed: **Dec. 14, 2010**

(30) **Foreign Application Priority Data**

Jun. 15, 2010 (EM) 001719188-0005

(51) **LOC (9) Cl.** **12-16**

(52) **U.S. Cl.** **D12/211**

(58) **Field of Classification Search** D12/204-213;
301/37.101, 64.101, 65, 64.201

See application file for complete search history.

(56) **References Cited**

U.S. PATENT DOCUMENTS

D225,626 S *	12/1972	Davidson	D12/209
D416,850 S *	11/1999	Cohen et al.	D12/211
D450,649 S *	11/2001	Penzes	D12/211
D506,967 S *	7/2005	Kamimura	D12/211
D520,931 S *	5/2006	Hieke	D12/211

D543,923 S *	6/2007	Hieke	D12/211
D544,427 S *	6/2007	Pfeiffer	D12/211
D585,009 S *	1/2009	Rak	D12/211
D593,022 S *	5/2009	Forster et al.	D12/211
D595,202 S *	6/2009	Spoerle	D12/211
D596,551 S *	7/2009	Futschik et al.	D12/211
D604,684 S *	11/2009	Spoerle	D12/211
D625,244 S *	10/2010	Zhao	D12/211
D626,488 S *	11/2010	Yoon	D12/211
D637,947 S *	5/2011	Zhao	D12/211

* cited by examiner

Primary Examiner — Stacia Cadmus

(74) *Attorney, Agent, or Firm* — Crowell & Moring LLP

(57) **CLAIM**

The ornamental design for a wheel or wheel cover, as shown and described.

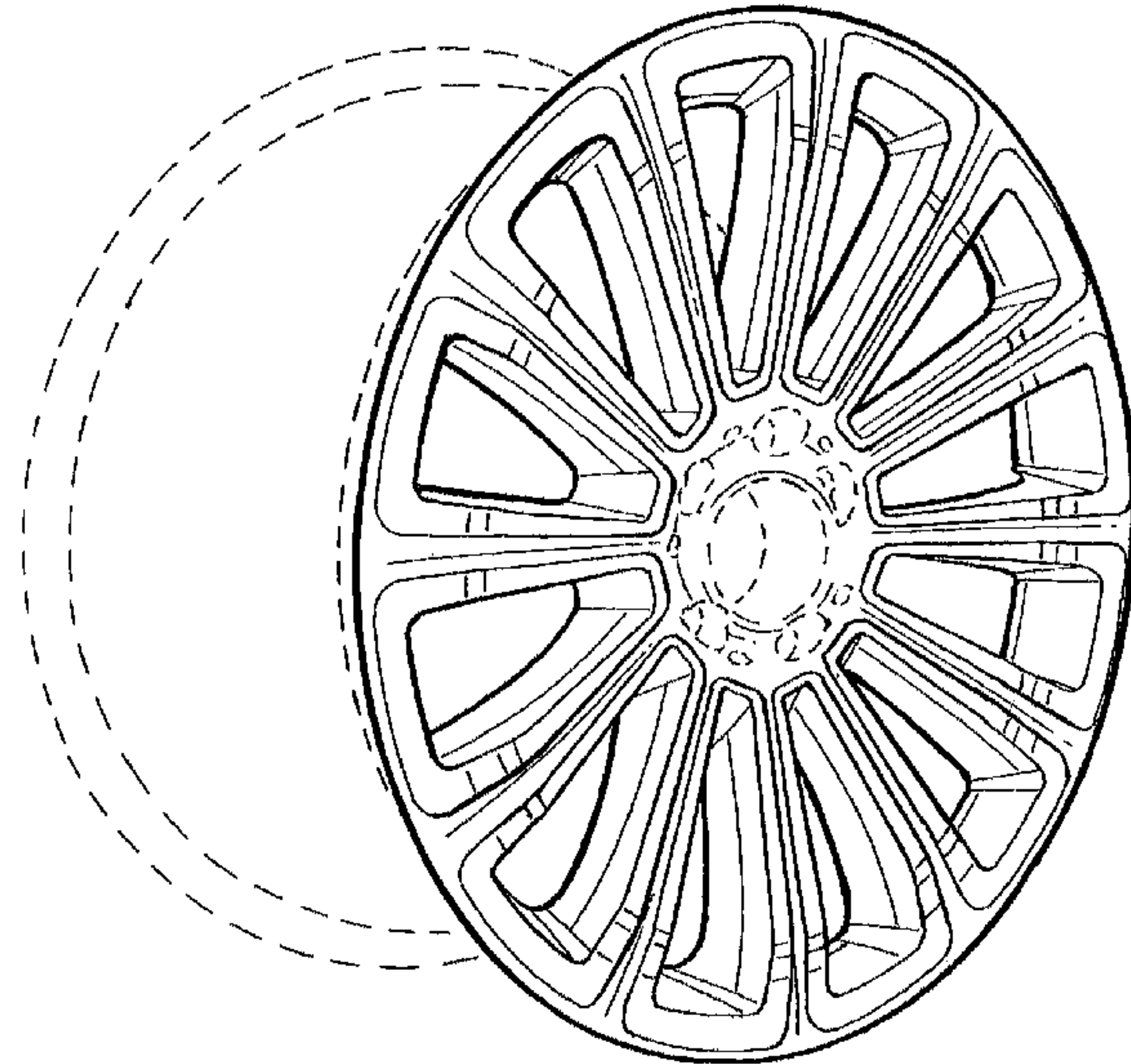
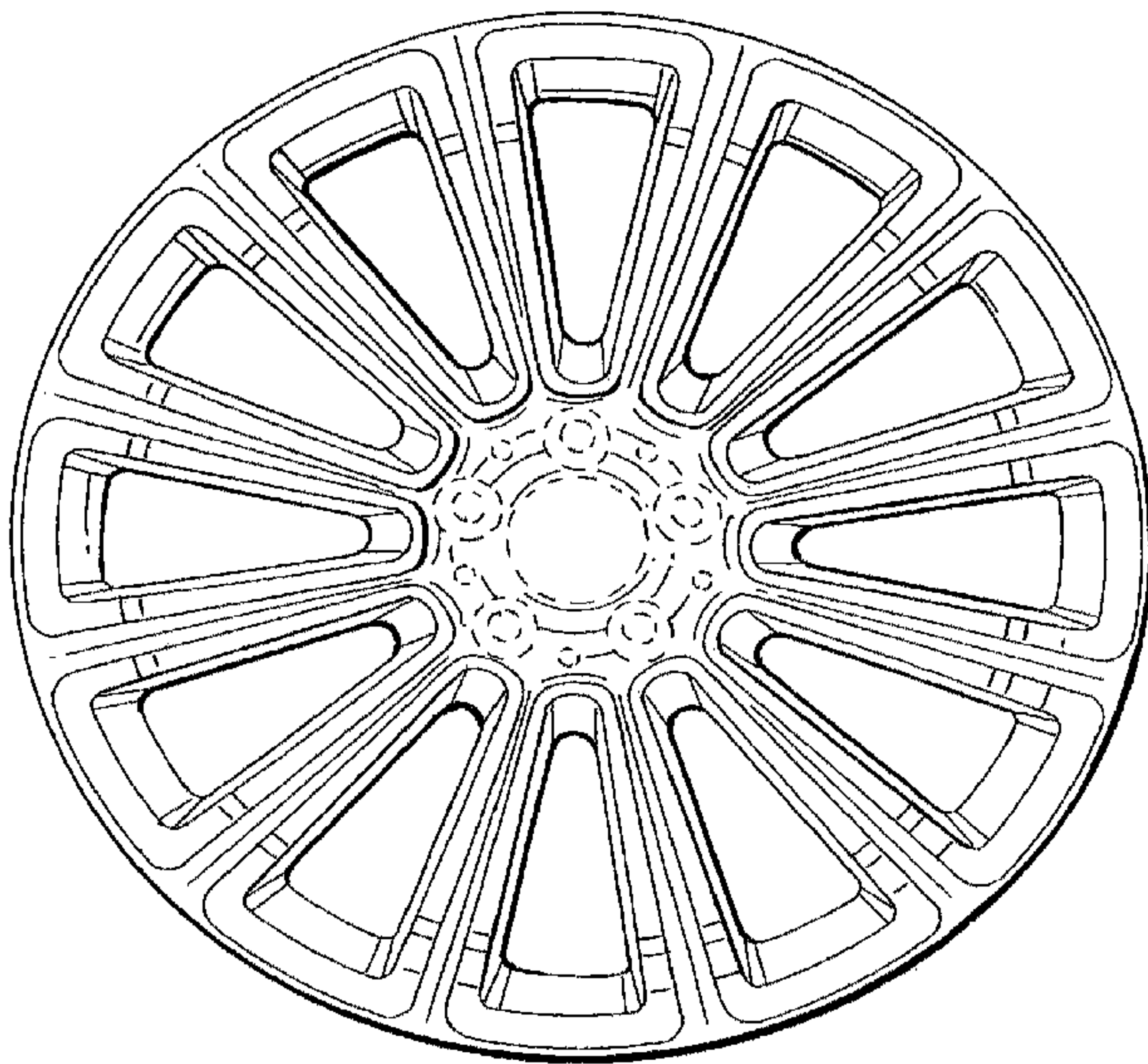
DESCRIPTION

FIG. 1 is a front view of a wheel or wheel cover according to my design; and,

FIG. 2 is a perspective view thereof.

The broken line showing of the rear of the wheel, and the bolt holes and the center opening in the central hub area is included for the purpose of illustrating environment and forms no part of the claimed design.

1 Claim, 1 Drawing Sheet



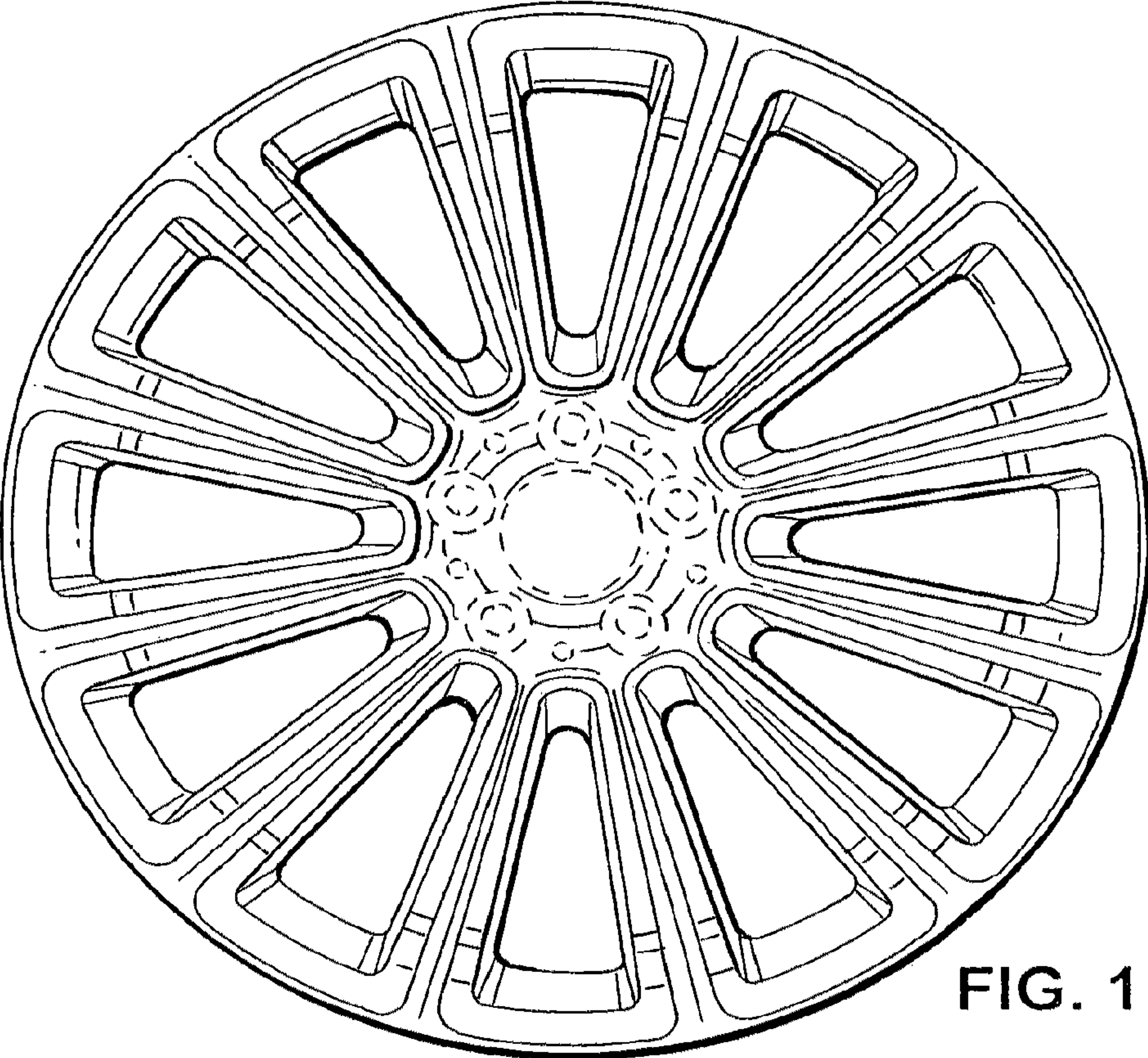


FIG. 1

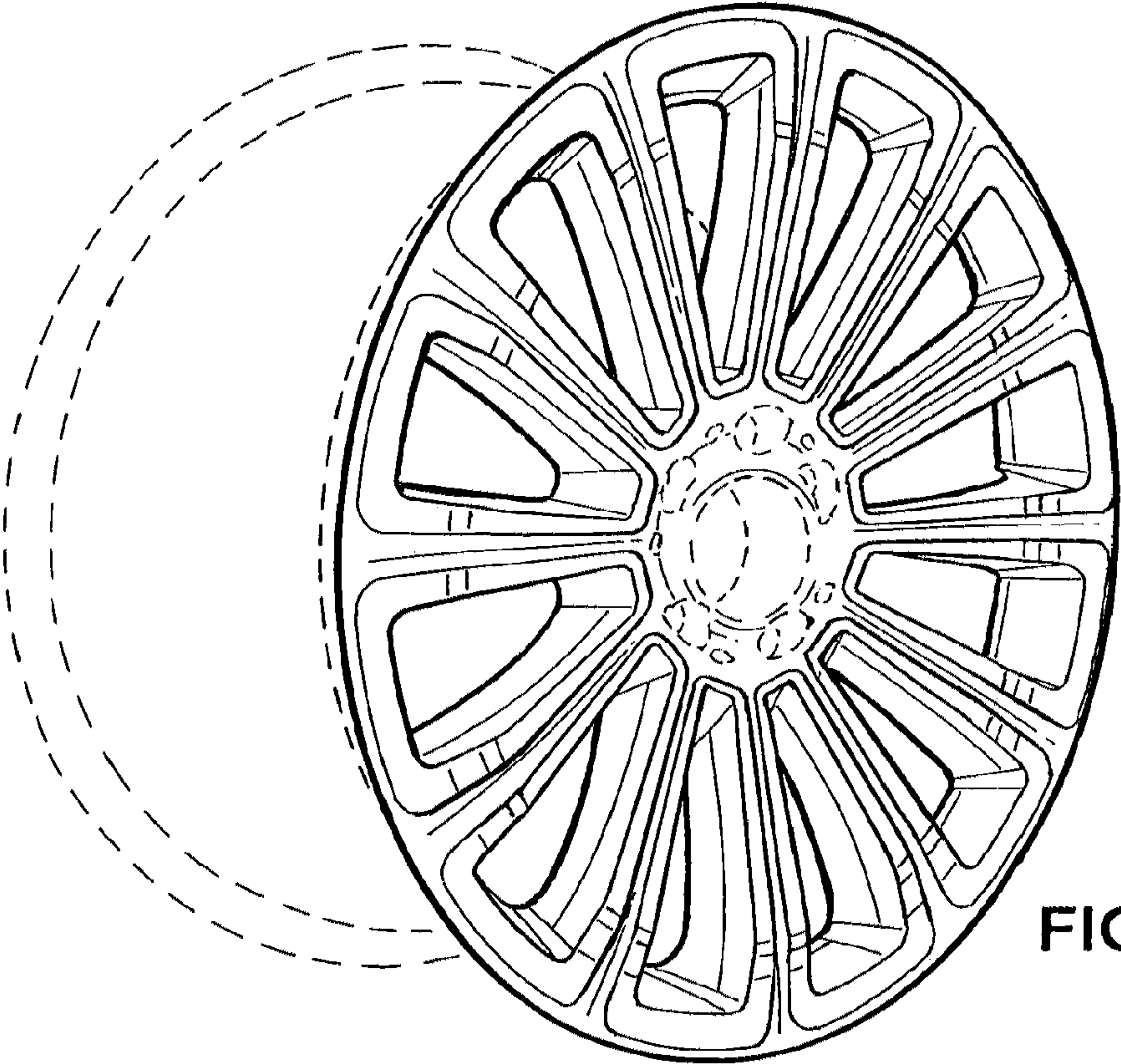


FIG. 2