



US00D674330S

(12) **United States Design Patent**
Kito

(10) **Patent No.:** **US D674,330 S**
(45) **Date of Patent:** **** Jan. 15, 2013**

(54) **WHEEL FOR AN AUTOMOBILE**

(75) Inventor: **Yuuri Kito**, Wako (JP)

(73) Assignee: **Honda Motor Co., Ltd.**, Tokyo (JP)

(**) Term: **14 Years**

(21) Appl. No.: **29/420,062**

(22) Filed: **May 3, 2012**

(30) **Foreign Application Priority Data**

Nov. 4, 2011 (JP) 2011-025501

(51) **LOC (9) Cl.** **12-16**

(52) **U.S. Cl.** **D12/209**

(58) **Field of Classification Search** D12/204-213;
301/37.101, 64.101, 65, 64.201

See application file for complete search history.

(56) **References Cited**

U.S. PATENT DOCUMENTS

D486,769	S	*	2/2004	Gallert	D12/209
D608,713	S	*	1/2010	Bucher et al.	D12/209
D621,770	S	*	8/2010	Pollmann	D12/209
D649,503	S	*	11/2011	Platto et al.	D12/209
D664,081	S	*	7/2012	Muller	D12/209

* cited by examiner

Primary Examiner — Stacia Cadmus

(74) *Attorney, Agent, or Firm* — Plumsea Law Group, LLC

(57) **CLAIM**

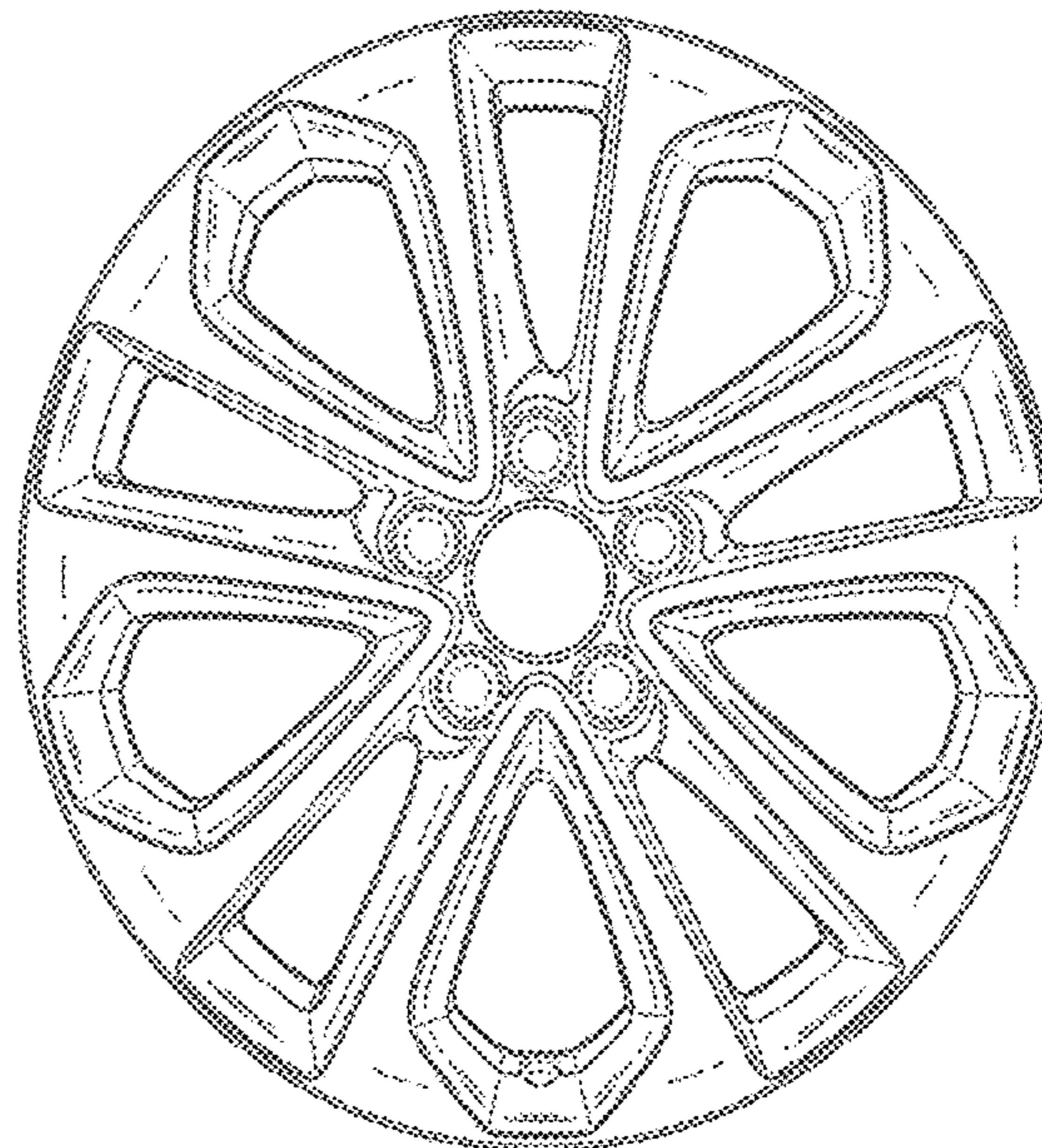
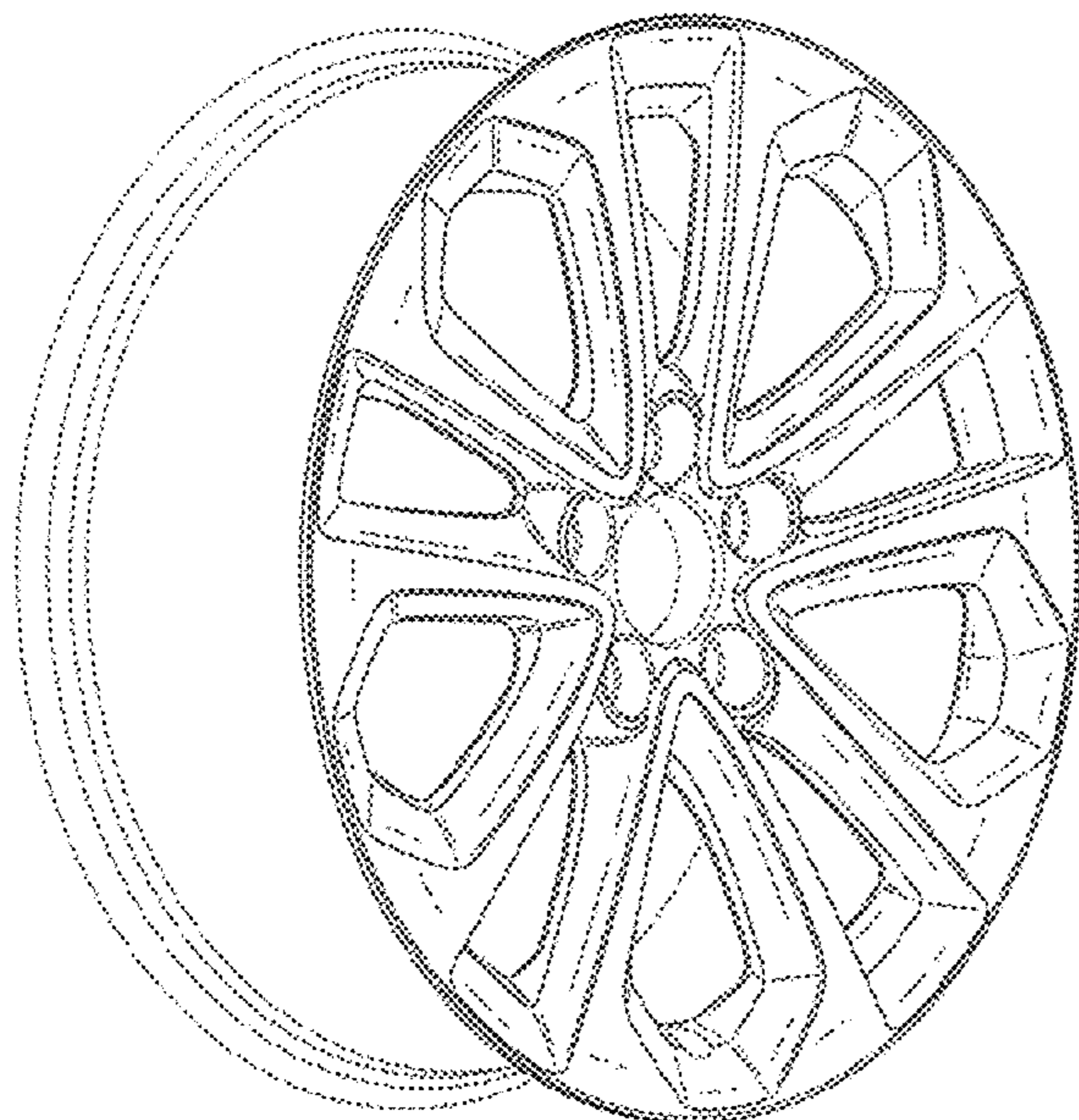
The ornamental design for, a wheel for an automobile, as shown and described.

DESCRIPTION

FIG. 1 is a perspective view of a wheel for an automobile; and, FIG. 2 is a front elevation view thereof.

The broken lines are for illustrative purposes only and form no part of the claimed design.

1 Claim, 2 Drawing Sheets



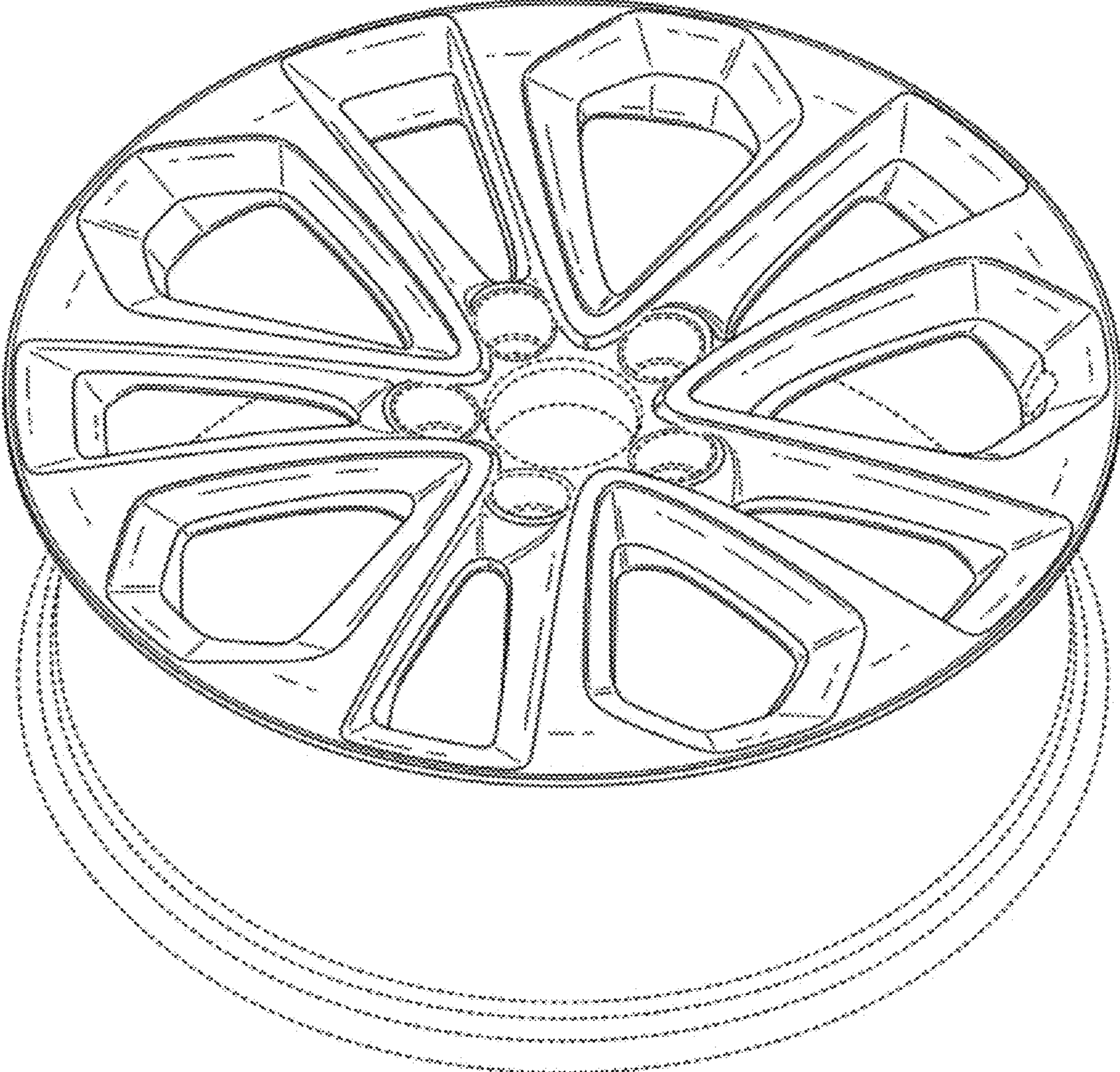


Fig. 1

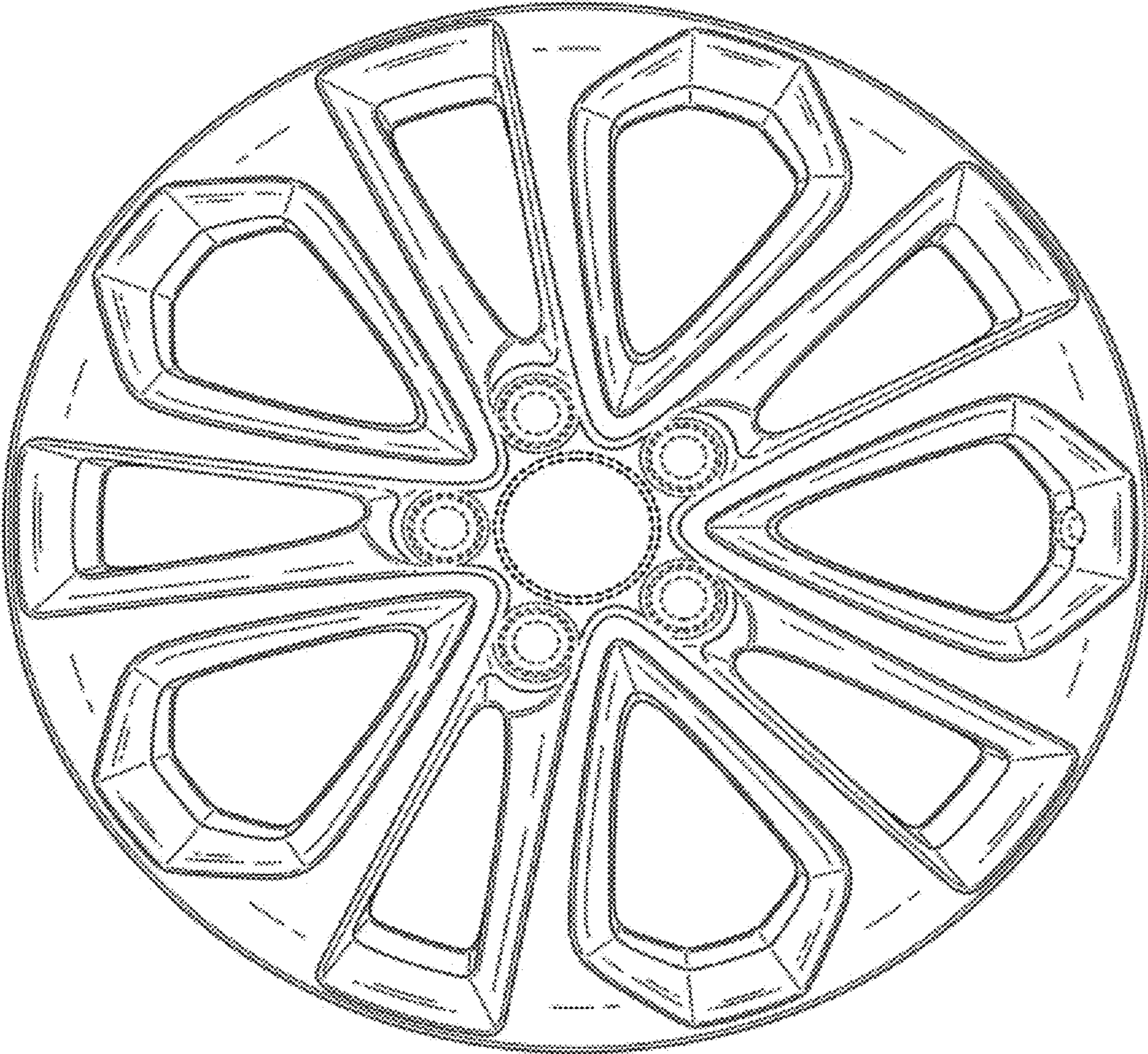


Fig. 2

UNITED STATES PATENT AND TRADEMARK OFFICE
CERTIFICATE OF CORRECTION

PATENT NO. : D674,330 S
APPLICATION NO. : 29/420062
DATED : January 15, 2013
INVENTOR(S) : Yuuri Kito

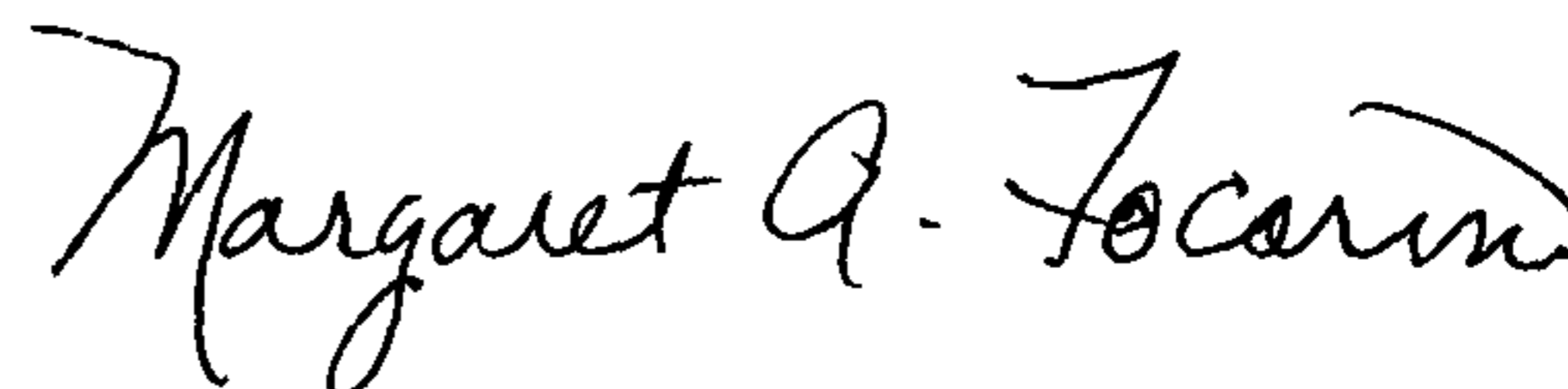
Page 1 of 4

It is certified that error appears in the above-identified patent and that said Letters Patent is hereby corrected as shown below:

The title page showing the illustrative figure should be deleted to be replaced with the attached title page.

In the drawings, Fig. 1 and Fig. 2 should be replaced with the corrected Fig. 1 and Fig. 2 as shown on the attached pages.

Signed and Sealed this
Seventh Day of January, 2014



Margaret A. Focarino
Commissioner for Patents of the United States Patent and Trademark Office

(12) **United States Design Patent**
Kito

(10) **Patent No.:** **US D674,330 S**
(45) **Date of Patent:** **** Jan. 15, 2013**

(54) **WHEEL FOR AN AUTOMOBILE**

(75) **Inventor:** **Yuuri Kito, Wako (JP)**

(73) **Assignee:** **Honda Motor Co., Ltd., Tokyo (JP)**

(**) **Term:** **14 Years**

(21) **Appl. No.:** **29/420,062**

(22) **Filed:** **May 3, 2012**

(30) **Foreign Application Priority Data**

Nov. 4, 2011 (JP) 2011-025501

(51) **LOC (9) Cl.** **12-16**

(52) **U.S. Cl.** **D12/209**

(58) **Field of Classification Search** **D12/204-213;**
301/37.101, 64.101, 65, 64.201

See application file for complete search history.

(56) **References Cited**

U.S. PATENT DOCUMENTS

D486,769 S *	2/2004	Gallert	D12/209
D608,713 S *	1/2010	Bucher et al.	D12/209
D621,770 S *	8/2010	Pollmann	D12/209
D649,503 S *	11/2011	Platto et al.	D12/209
D664,081 S *	7/2012	Muller	D12/209

* cited by examiner

Primary Examiner — Stacia Cadmus

(74) *Attorney, Agent, or Firm* — Plumsea Law Group, LLC

(57) **CLAIM**

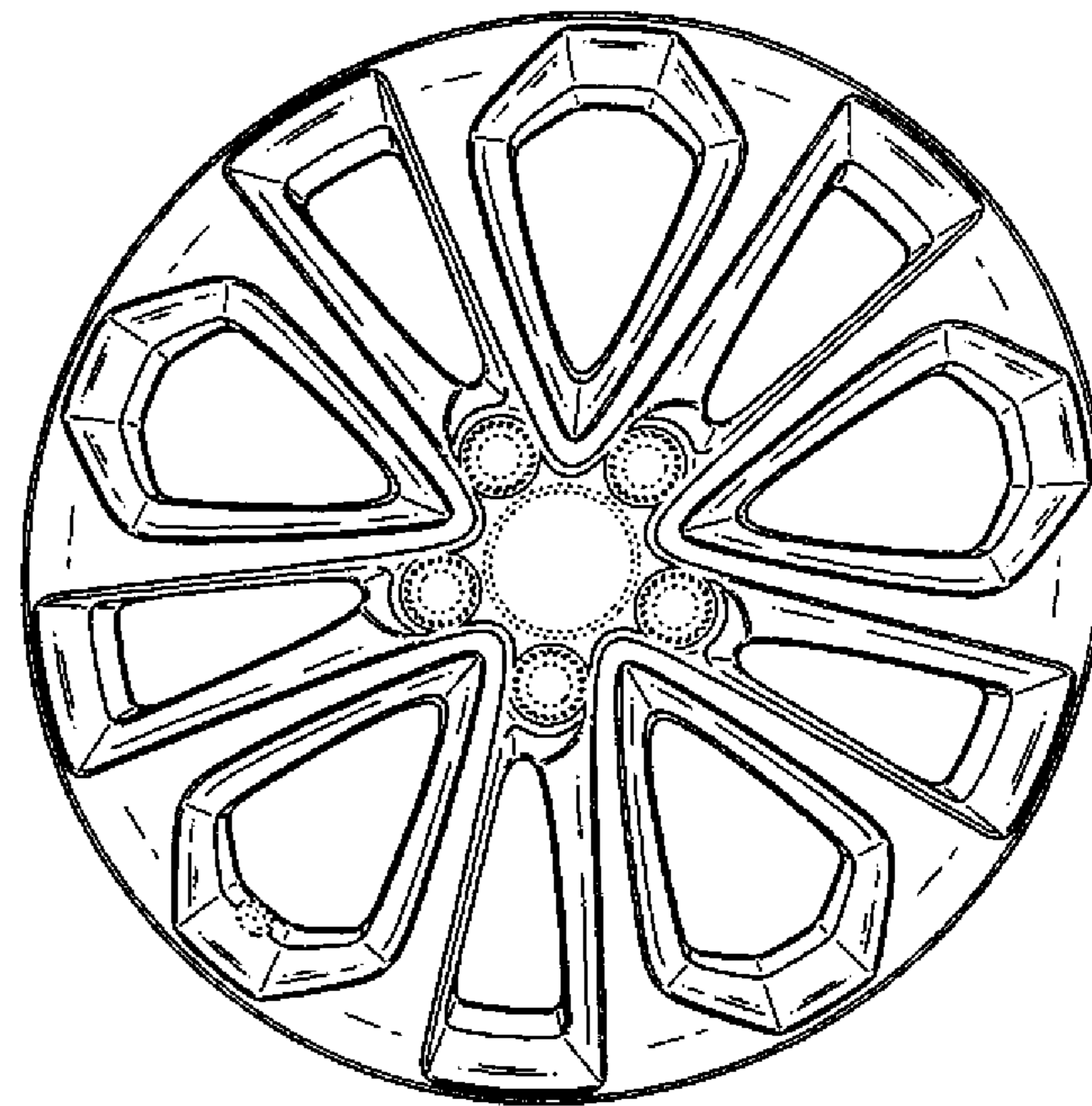
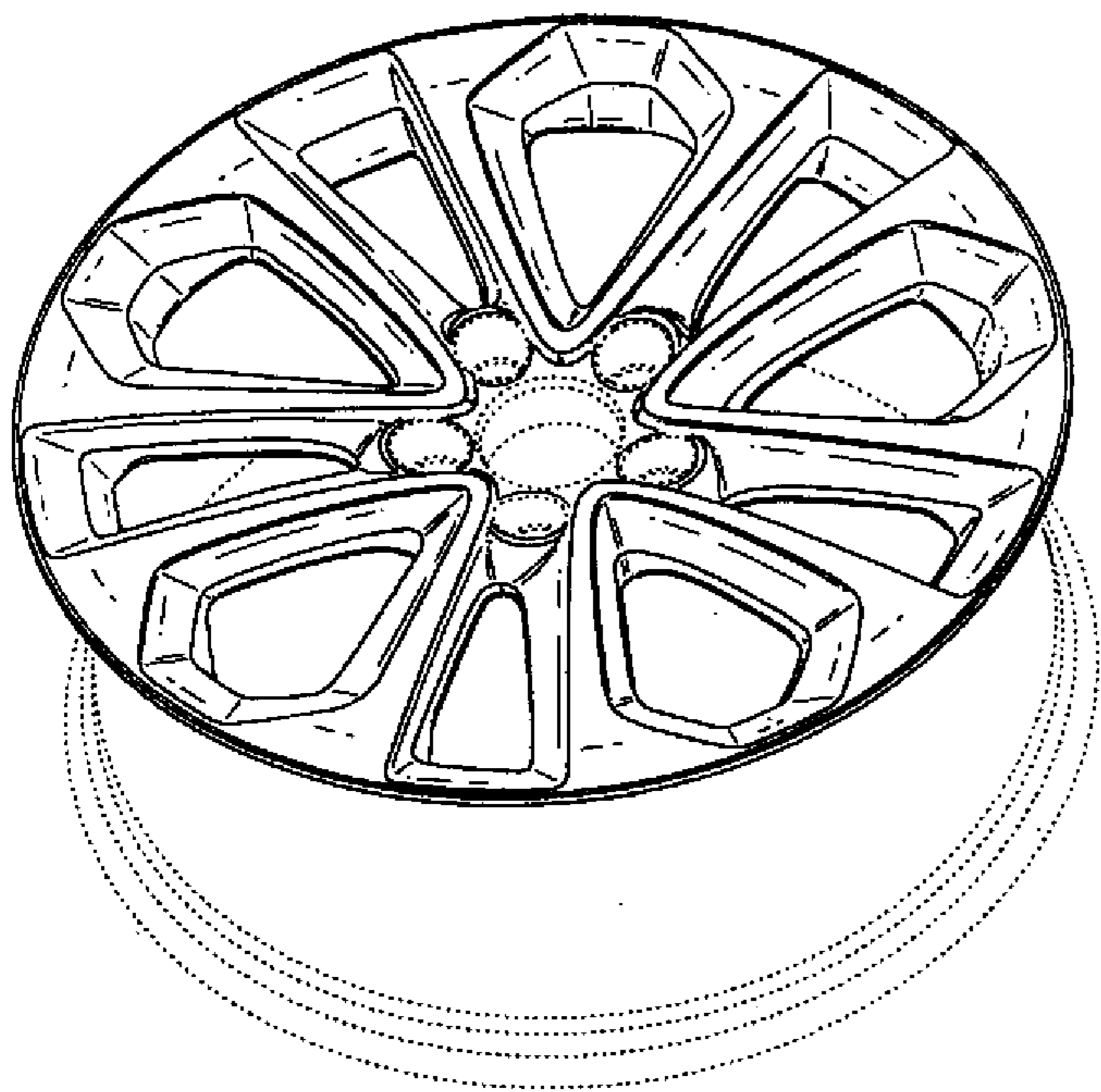
The ornamental design for, a wheel for an automobile, as shown and described.

DESCRIPTION

FIG. 1 is a perspective view of a wheel for an automobile; and, FIG. 2 is a front elevation view thereof.

The broken lines are for illustrative purposes only and form no part of the claimed design.

1 Claim, 2 Drawing Sheets



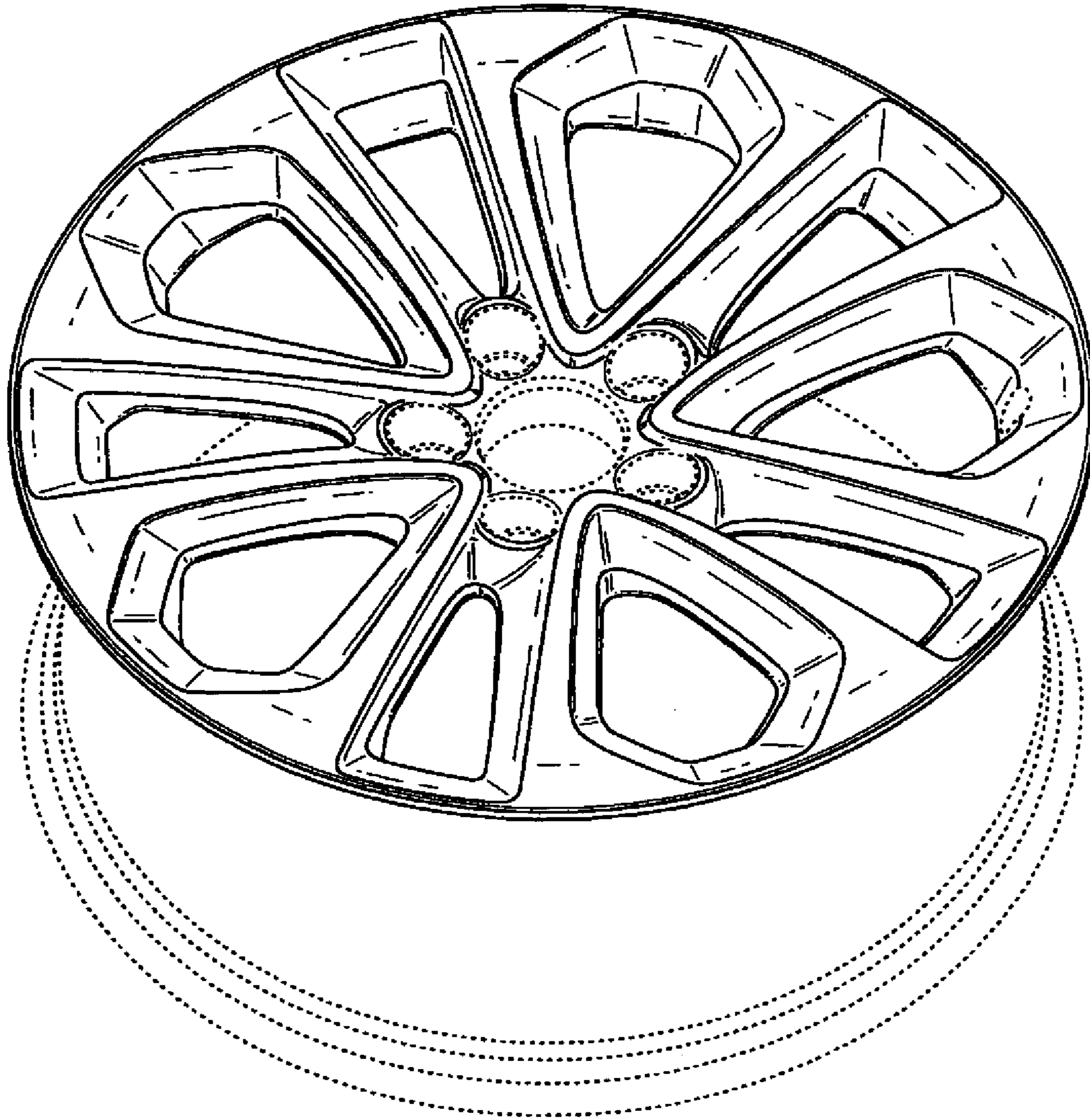


Fig. 1

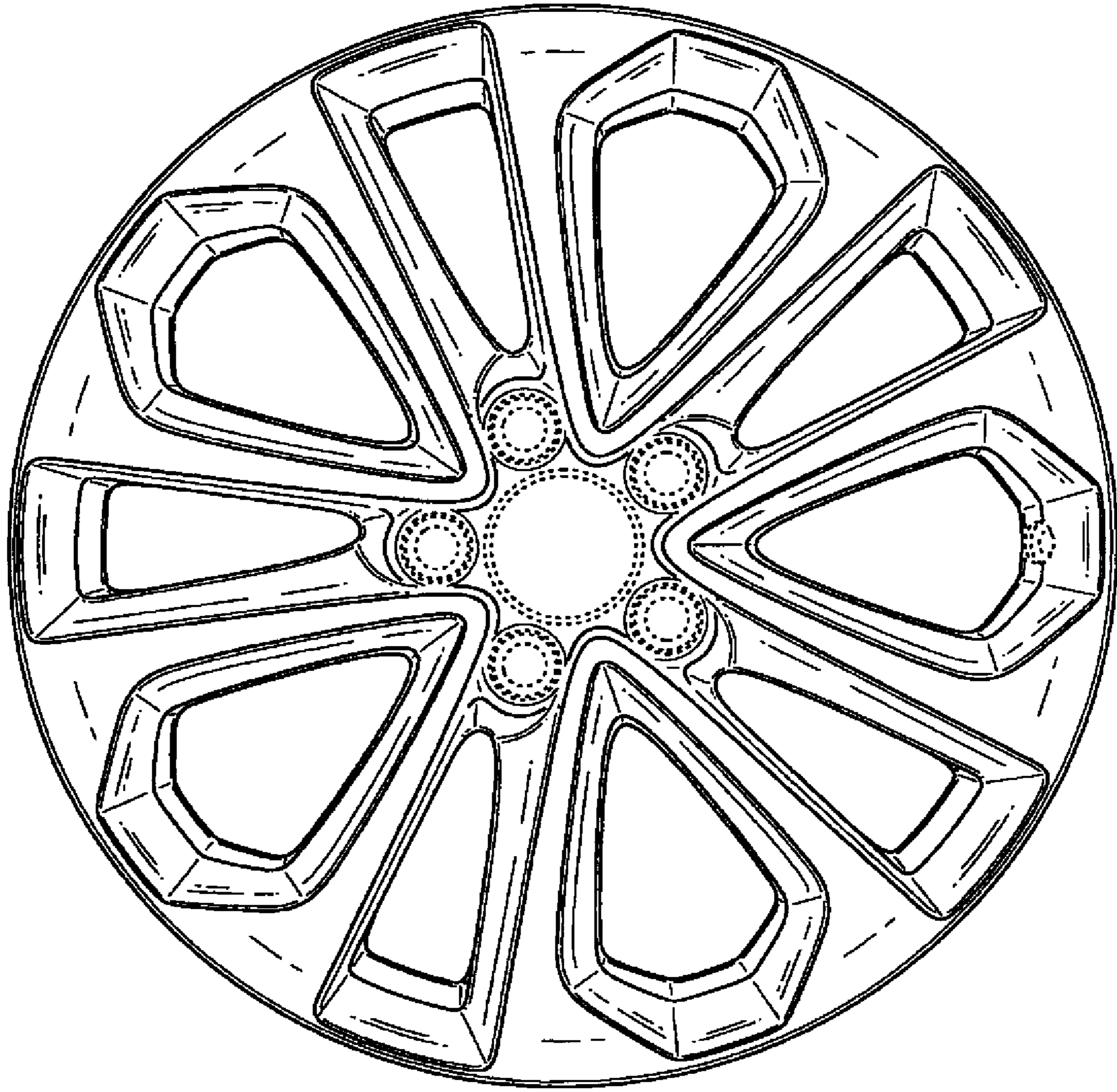


Fig. 2