



US00D674329S

(12) **United States Design Patent**
Bildhaeuser

(10) **Patent No.:** **US D674,329 S**
(45) **Date of Patent:** **** Jan. 15, 2013**

(54) **WHEEL OR WHEEL COVER**

(75) Inventor: **Hans-Peter Bildhaeuser**, Stuttgart (DE)

(73) Assignee: **Daimler AG**, Stuttgart (DE)

(**) Term: **14 Years**

(21) Appl. No.: **29/371,254**

(22) Filed: **Dec. 14, 2010**

(30) **Foreign Application Priority Data**

Jun. 15, 2010 (EM) 001719188-0001

(51) **LOC (9) Cl.** **12-16**

(52) **U.S. Cl.** **D12/209**

(58) **Field of Classification Search** D12/204-213;
301/37.101, 64.101, 65, 64.201

See application file for complete search history.

(56) **References Cited**

U.S. PATENT DOCUMENTS

D403,648 S *	1/1999	Feriero	D12/209
D476,938 S *	7/2003	Hatori	D12/209
D499,059 S *	11/2004	Cahyono	D12/209
D528,060 S *	9/2006	Laengerer	D12/209
D539,720 S *	4/2007	Looho	D12/209

D550,140 S *	9/2007	Laengerer	D12/211
D574,310 S *	8/2008	Huet	D12/209
D579,399 S *	10/2008	Schweizer	D12/211
D601,074 S *	9/2009	Buschmann	D12/209
D613,656 S *	4/2010	Antoniadis et al.	D12/209
D614,107 S *	4/2010	Juergens et al.	D12/209
D617,712 S *	6/2010	Juergens et al.	D12/209
D628,527 S *	12/2010	Faghihzadeh	D12/211
D633,025 S *	2/2011	Matei et al.	D12/209
D644,154 S *	8/2011	Antoniadis et al.	D12/209

* cited by examiner

Primary Examiner — Stacia Cadmus

(74) *Attorney, Agent, or Firm* — Crowell & Moring LLP

(57) **CLAIM**

The ornamental design for a wheel or wheel cover, as shown and described.

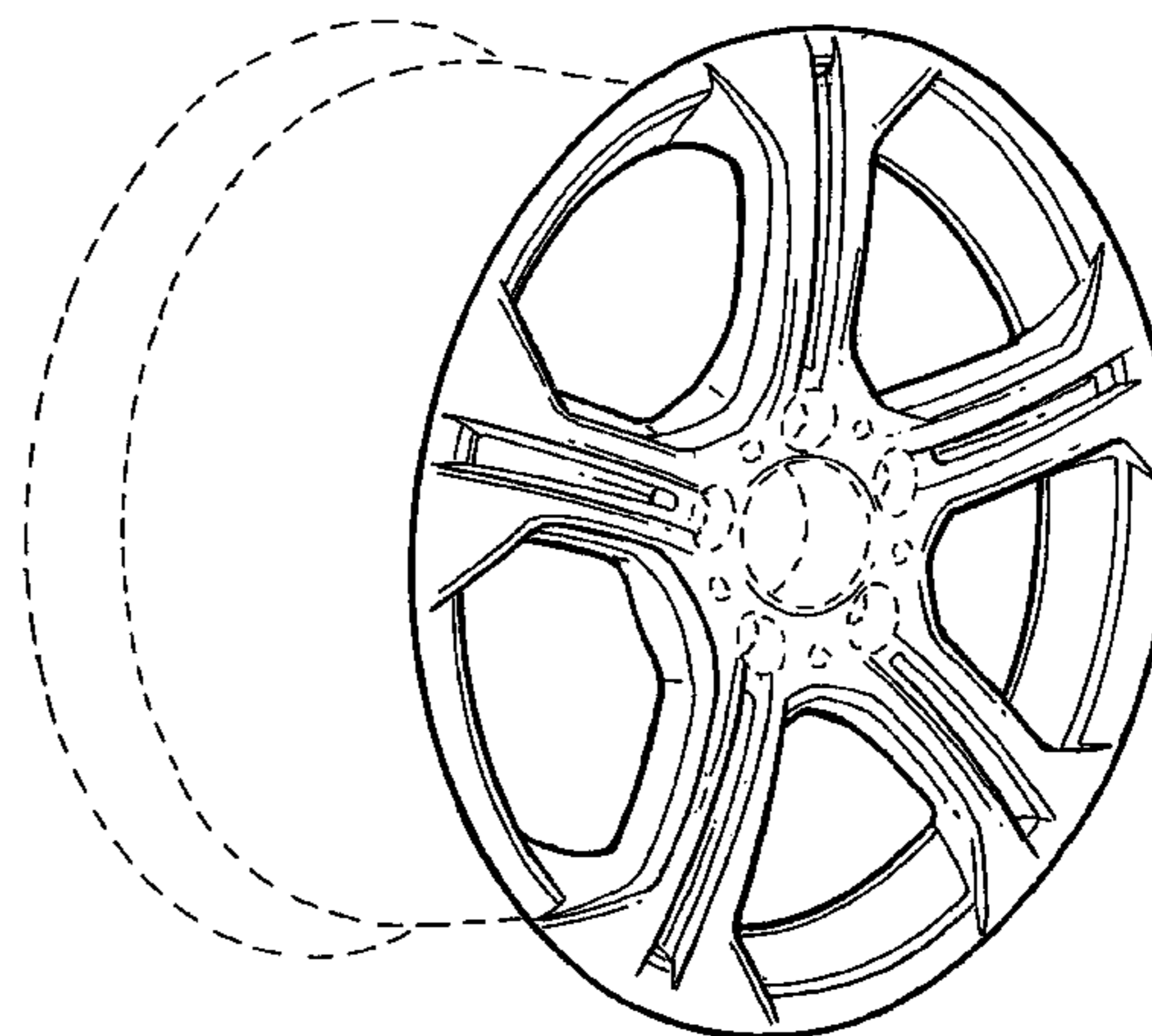
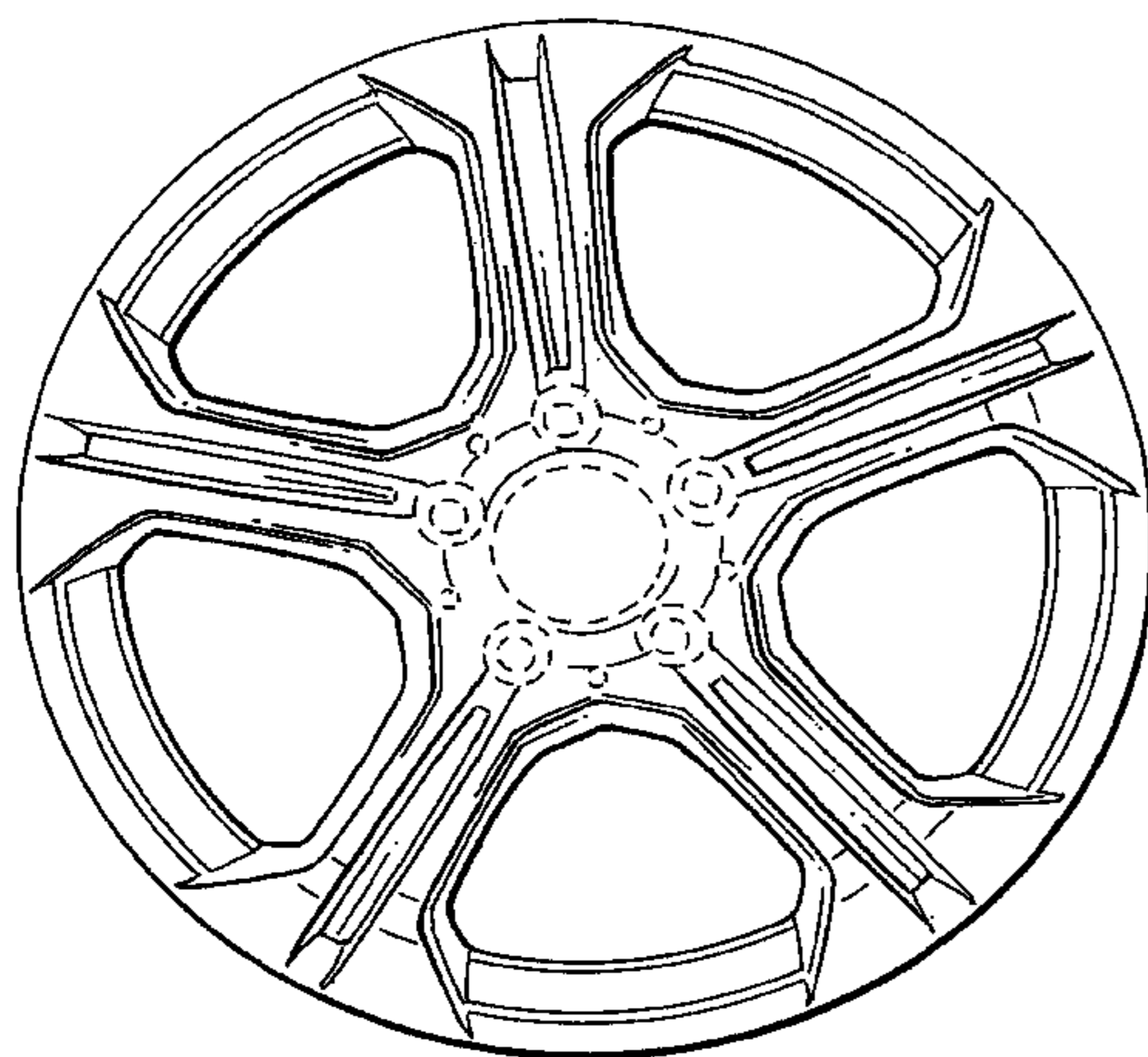
DESCRIPTION

FIG. 1 is a front view of a wheel or wheel cover according to my design; and,

FIG. 2 is a perspective view thereof.

The broken line showing of the rear of the wheel, and the bolt holes and the center opening in the central hub area is included for the purpose of illustrating environment and forms no part of the claimed design.

1 Claim, 1 Drawing Sheet



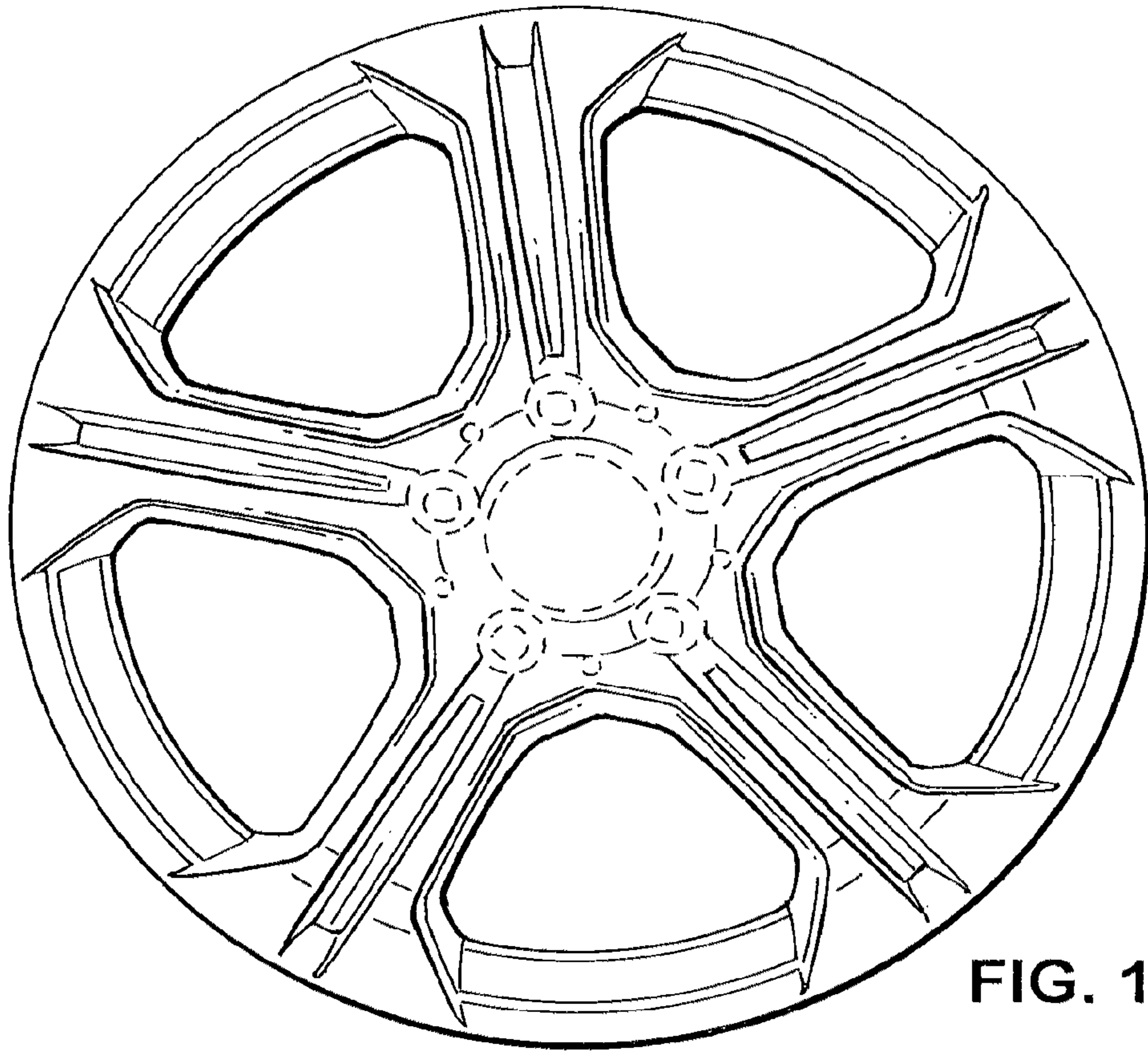


FIG. 1

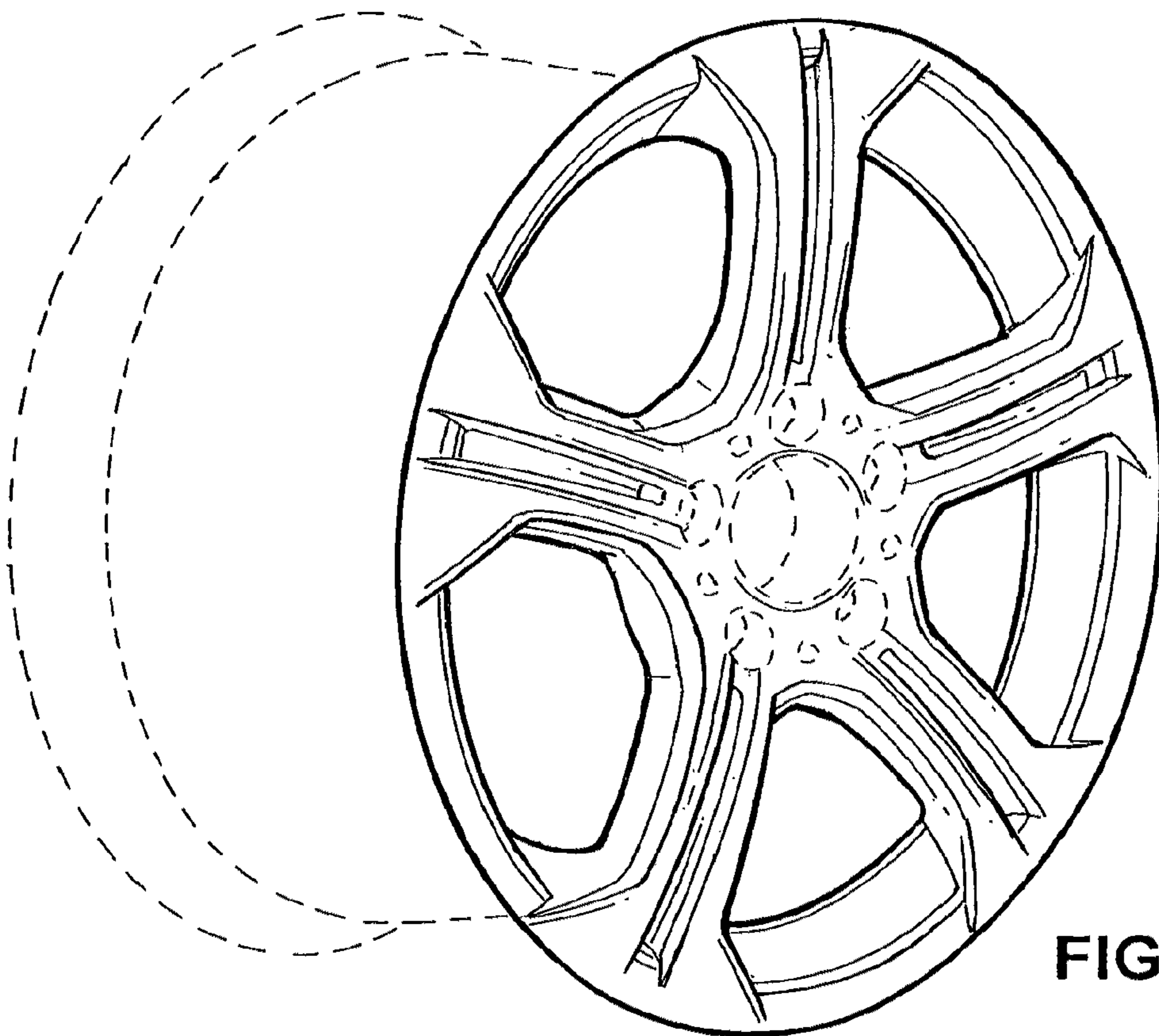


FIG. 2