



US00D674326S

(12) **United States Design Patent**  
**Svensson et al.**

(10) **Patent No.:** **US D674,326 S**

(45) **Date of Patent:** **\*\* \*Jan. 15, 2013**

(54) **VEHICLE FRONT CENTER GRILLE**

(75) Inventors: **Christopher Svensson**, Chelmsford (GB); **Paul Campbell**, South Benfleet (GB); **Paul Wraith**, Colchester (GB)

(73) Assignee: **Ford Global Technologies, LLC**, Dearborn, MI (US)

(\* ) Notice: This patent is subject to a terminal disclaimer.

(\*\*) Term: **14 Years**

(21) Appl. No.: **29/404,412**

(22) Filed: **Oct. 20, 2011**

(51) **LOC (9) Cl.** ..... **12-16**

(52) **U.S. Cl.** ..... **D12/163**

(58) **Field of Classification Search** ..... D12/163, D12/196, 171, 169, 216, 90-92, 86; 180/68.1, 180/68.6; 296/193.11

See application file for complete search history.

(56) **References Cited**

**U.S. PATENT DOCUMENTS**

D569,314 S 5/2008 Spearman-Oxx  
D587,174 S 2/2009 Spearman-Oxx  
D589,856 S \* 4/2009 Woolley et al. .... D12/169

D591,210 S \* 4/2009 Woolley et al. .... D12/169  
D605,094 S 12/2009 Bennett  
D605,988 S 12/2009 Bennett

\* cited by examiner

*Primary Examiner* — Melody N Brown

(74) *Attorney, Agent, or Firm* — Damian Porcari

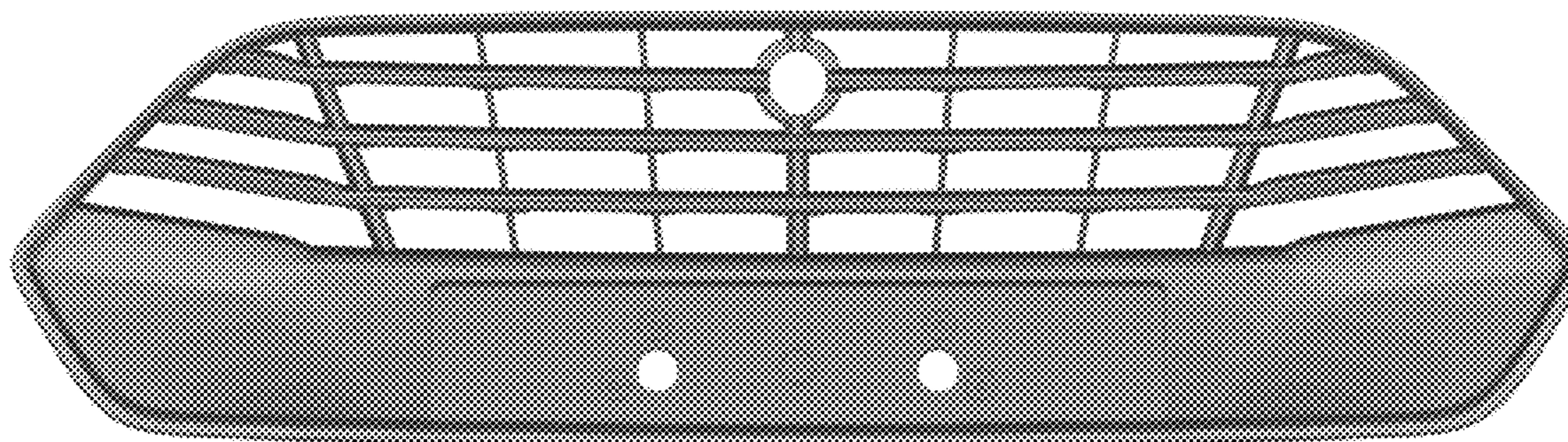
(57) **CLAIM**

The ornamental design for a vehicle front center grille, as shown and described.

**DESCRIPTION**

FIG. 1 is a top plan view of a vehicle front center grille; FIG. 2 is a bottom plan view of the vehicle front center grille; FIG. 3 is a front elevational view of the vehicle front center grille; FIG. 4 is a rear elevational view of the vehicle front center grille; FIG. 5 is a left side elevational view of the vehicle front center grille; FIG. 6 is a right side elevational view of the vehicle front center grille; FIG. 7 is a perspective view of the vehicle front center grille; and, FIG. 8 is another perspective view of the vehicle front center grille.

**1 Claim, 8 Drawing Sheets**



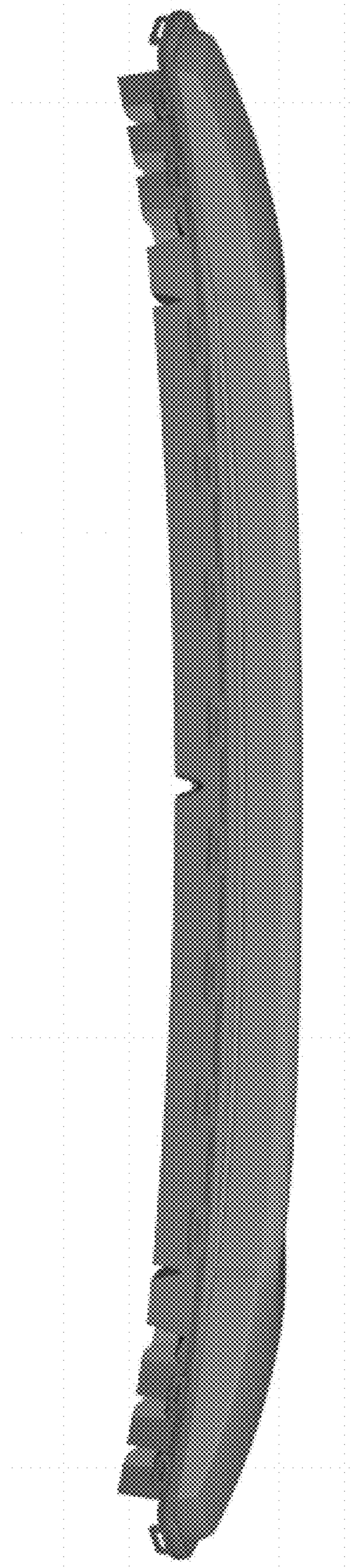


Figure 1

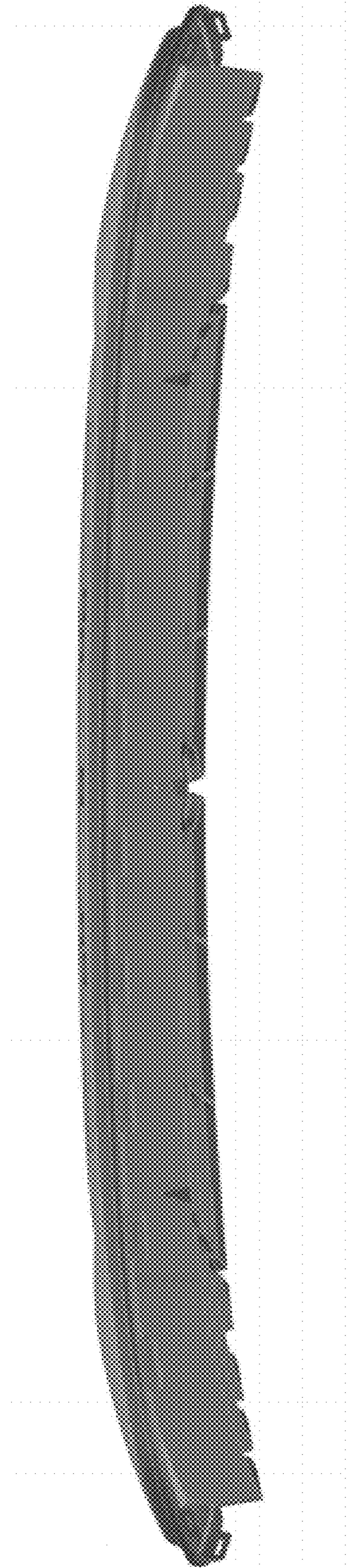


Figure 2

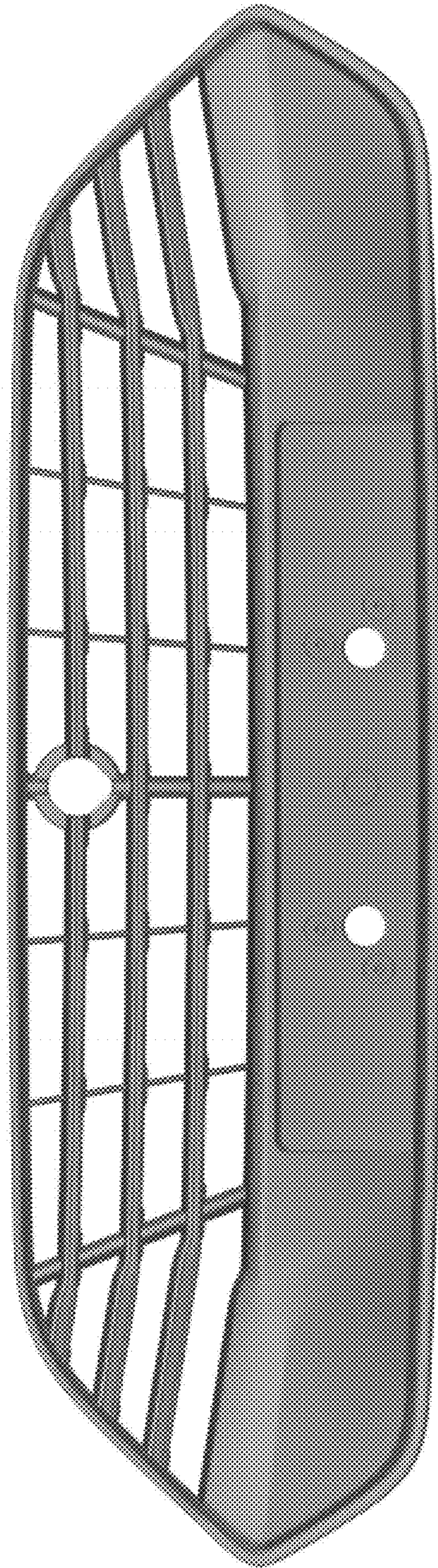


Figure 3

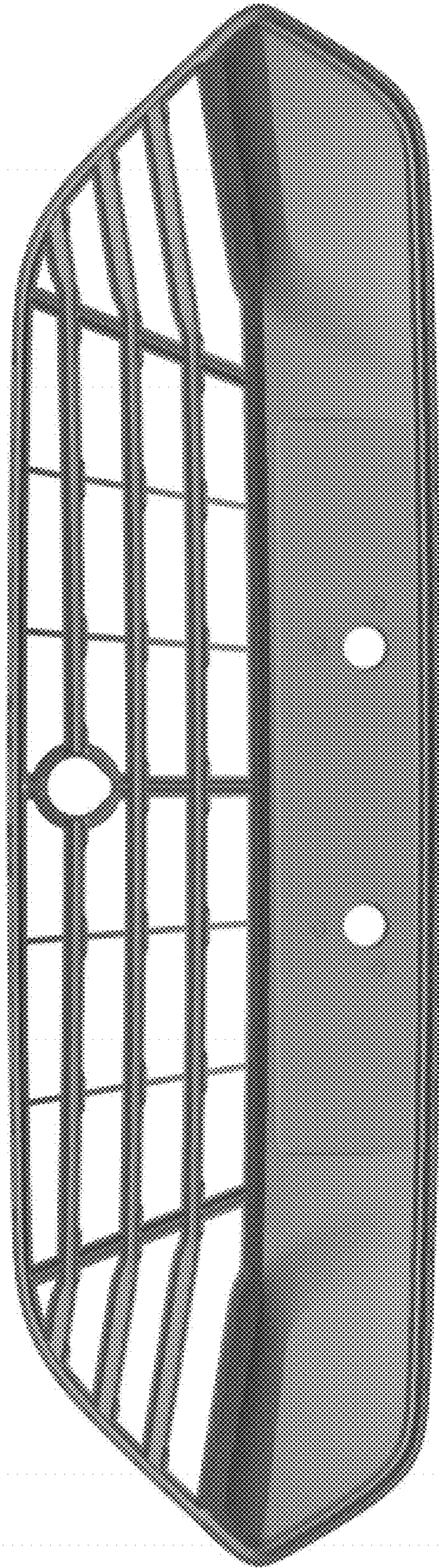


Figure 4

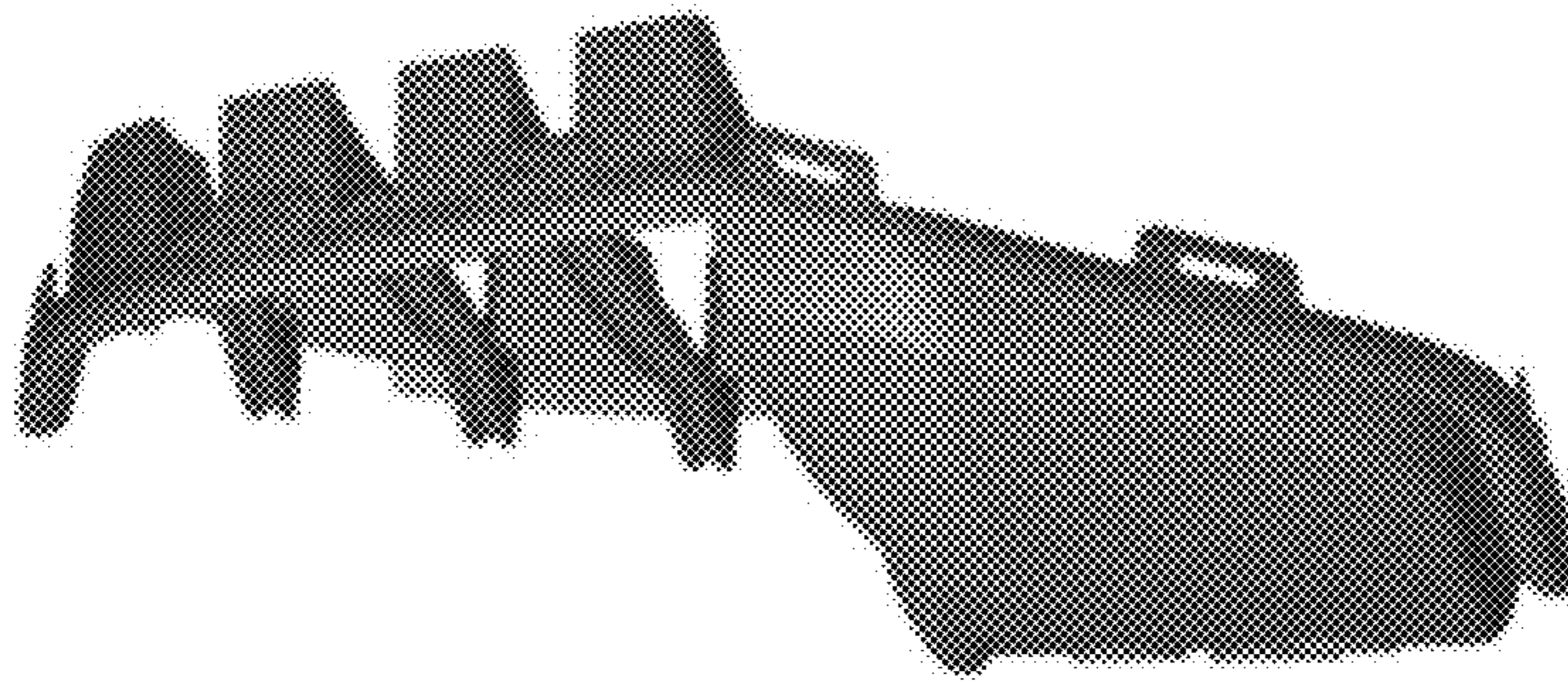


Figure 5

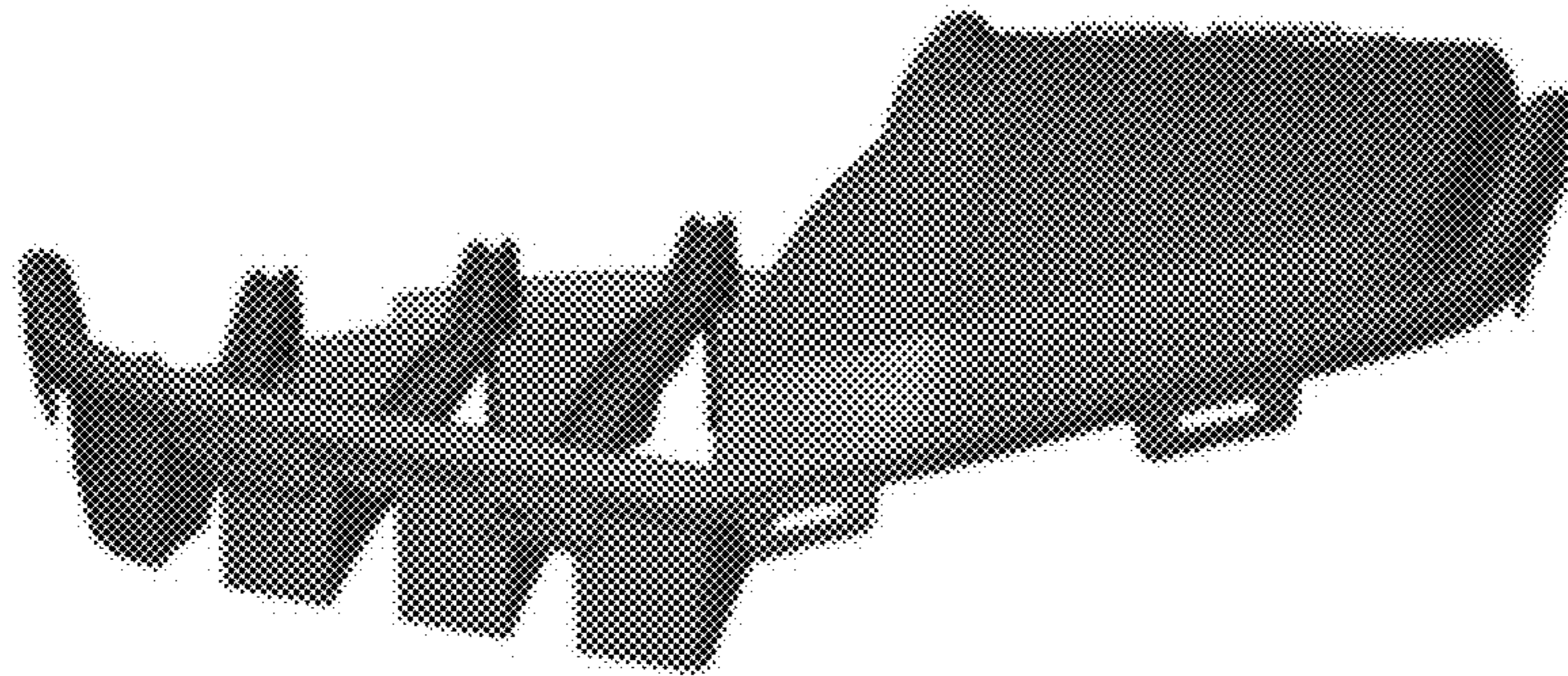


Figure 6

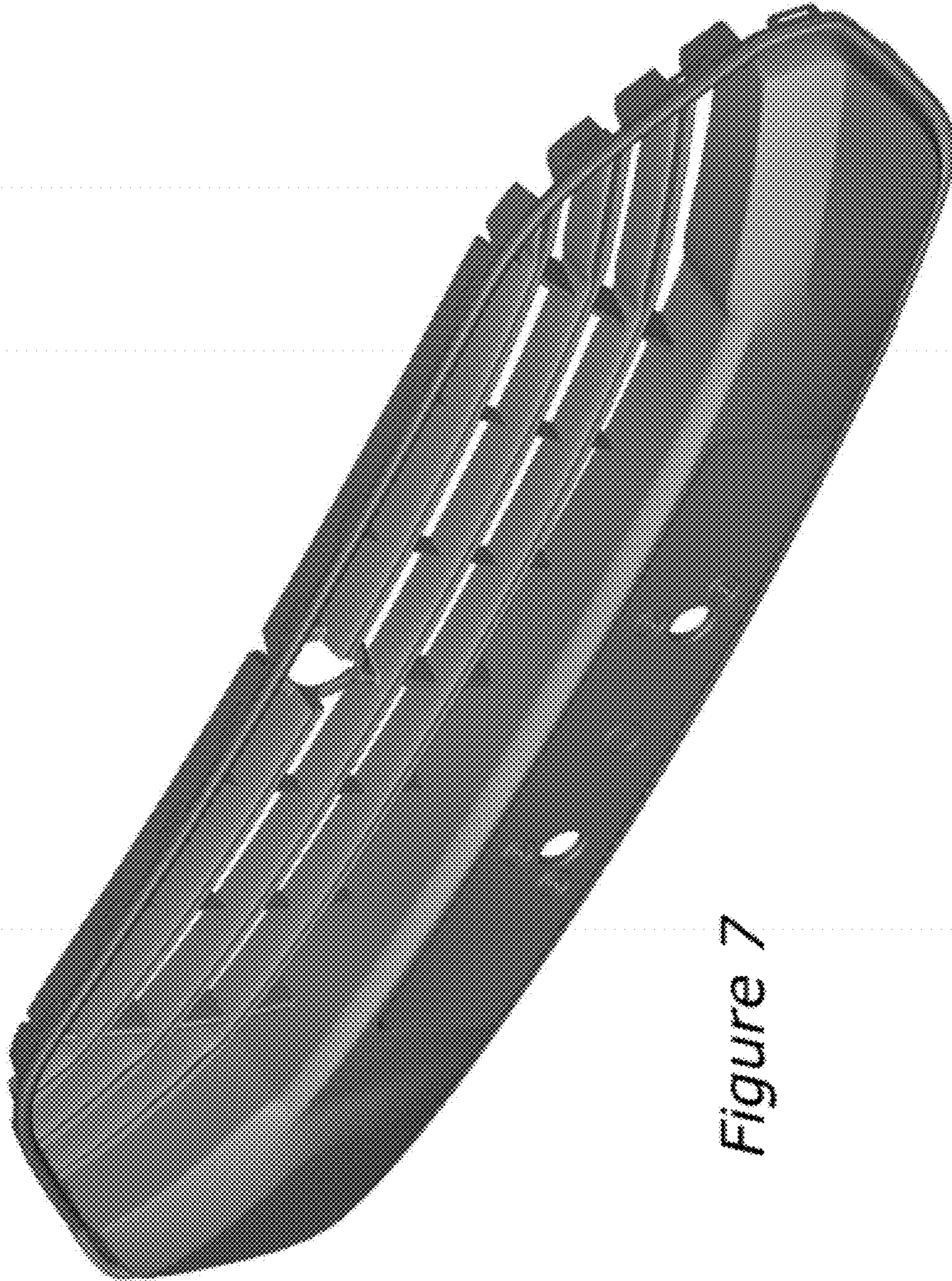


Figure 7



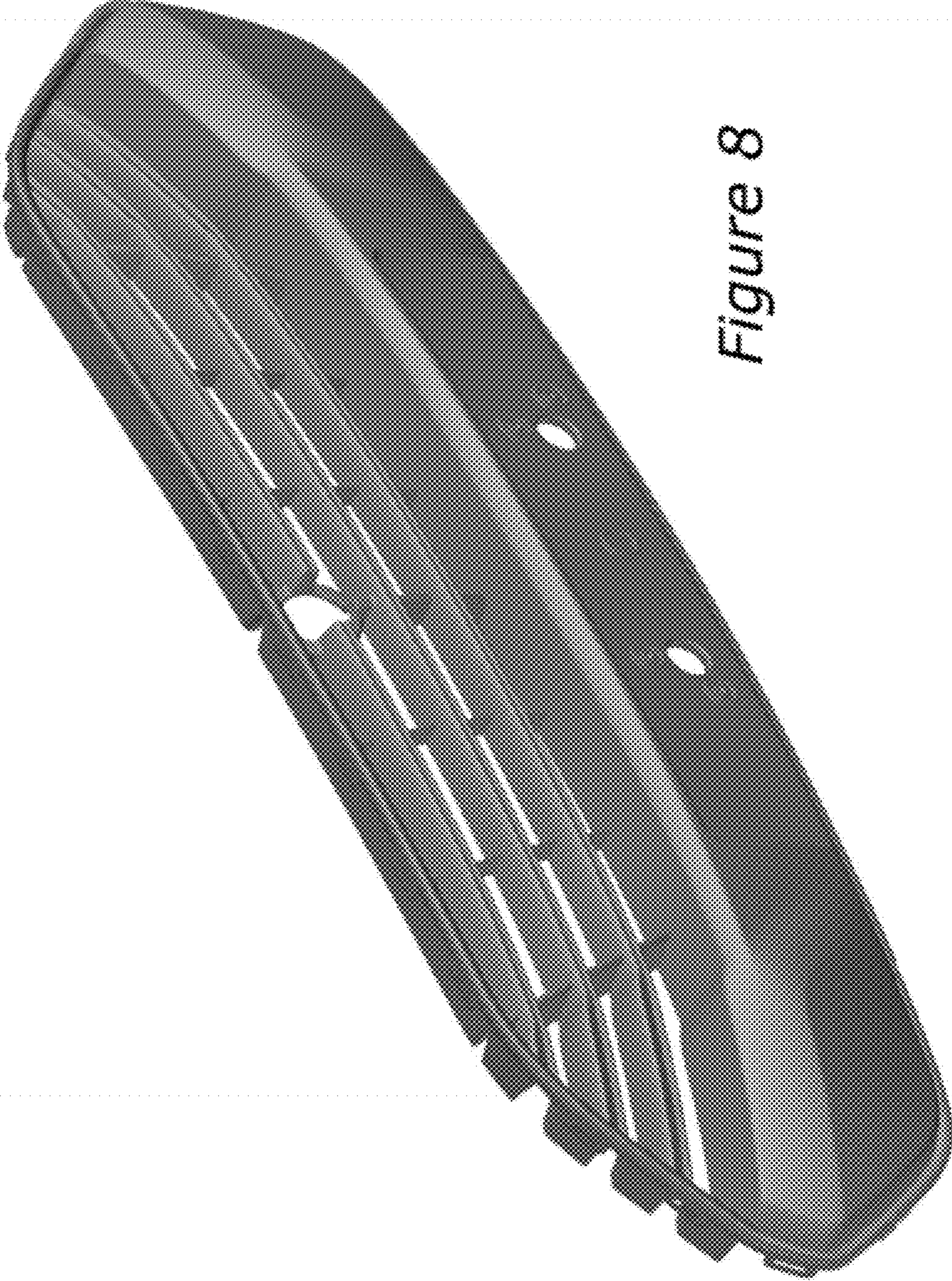


Figure 8