



US00D674325S

(12) **United States Design Patent**  
**Leonard**

(10) **Patent No.:** **US D674,325 S**  
(45) **Date of Patent:** **\*\* Jan. 15, 2013**

(54) **GAS SPRING END MEMBER**  
(75) Inventor: **Joshua R. Leonard**, Noblesville, IN (US)  
(73) Assignee: **Firestone Industrial Products Company, LLC**, Indianapolis, IN (US)  
(\*\*) Term: **14 Years**  
(21) Appl. No.: **29/398,995**  
(22) Filed: **Aug. 8, 2011**  
(51) **LOC (9) Cl.** ..... **12-16**  
(52) **U.S. Cl.** ..... **D12/159**  
(58) **Field of Classification Search** ..... D12/159;  
280/124.155, 124.147, 124.145, 124.146,  
280/86.752, 11.225; 188/281, 298, 297,  
188/315, 316, 274, 286; 267/195, 136, 64.15,  
267/217; 464/173; 293/134  
See application file for complete search history.

6,746,004 B2 \* 6/2004 Leonard et al. .... 267/64.27  
7,621,538 B2 \* 11/2009 Nordmeyer et al. .... 280/5.515  
7,871,081 B1 \* 1/2011 Lin ..... 280/5.504  
7,959,170 B2 \* 6/2011 Mauz ..... 280/124.135  
2005/0093265 A1 \* 5/2005 Niaura et al. .... 280/124.16

\* cited by examiner

*Primary Examiner* — Michael A Pratt

(74) *Attorney, Agent, or Firm* — Jason A. Houser; Fay Sharpe LLP

(57) **CLAIM**

The ornamental design for a gas spring end member, as shown and described.

**DESCRIPTION**

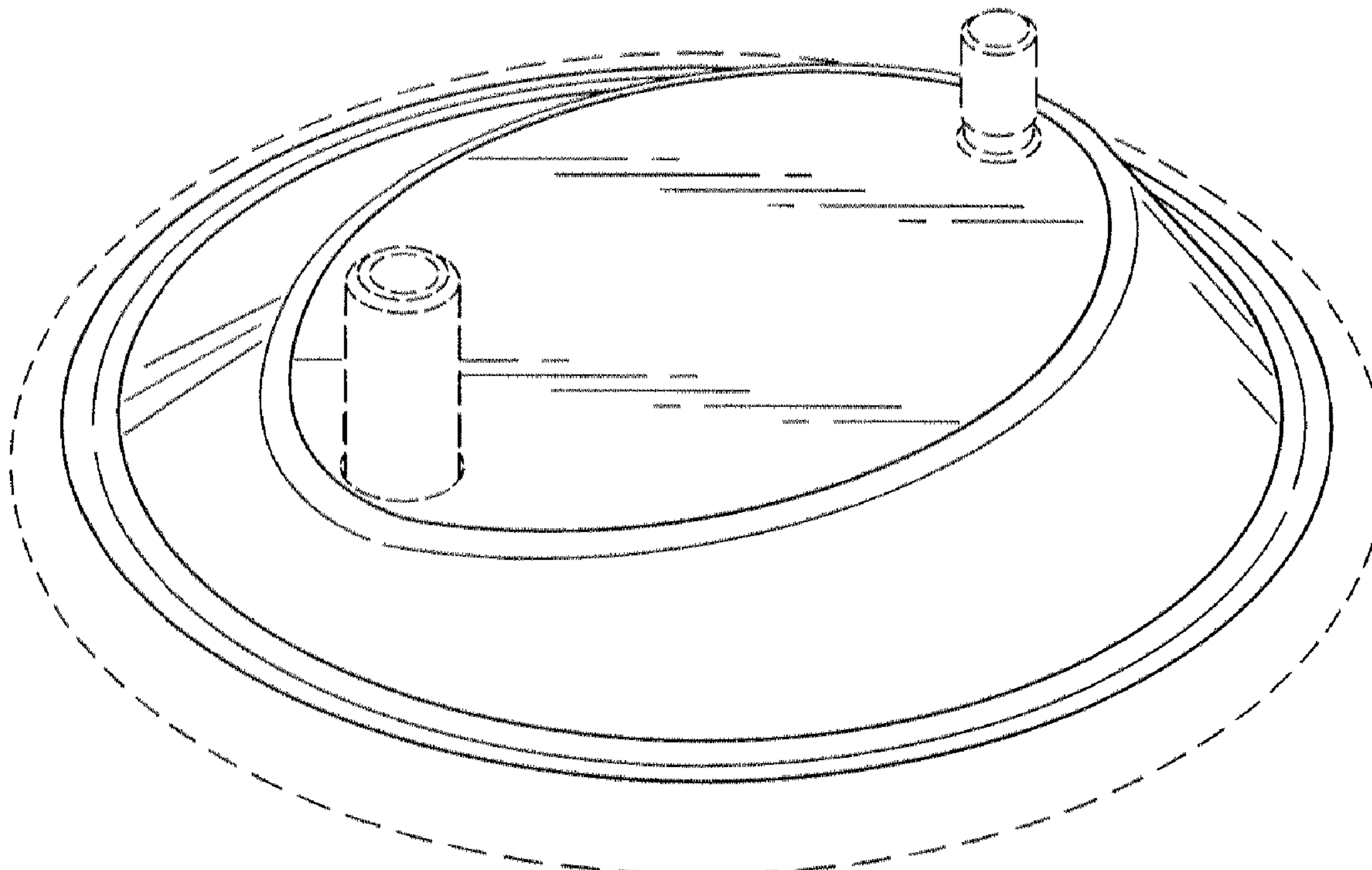
FIG. 1 is a perspective view of one embodiment of a gas spring end member according to my new design; FIG. 2 is a top plan view thereof; FIG. 3 is a bottom plan view thereof; FIG. 4 is a left side view thereof; FIG. 5 is a right side view thereof; FIG. 6 is a rear side view thereof; FIG. 7 is a front side view thereof; and, FIG. 8 is a perspective view of the gas spring end member as a part of a gas spring assembly. The broken lines are for illustrative purposes only and form no part of the claimed design.

(56) **References Cited**

U.S. PATENT DOCUMENTS

4,634,142 A \* 1/1987 Woods et al. .... 280/5.503  
4,718,650 A \* 1/1988 Geno ..... 267/64.27  
5,765,860 A \* 6/1998 Osborn et al. .... 280/728.2  
6,036,179 A \* 3/2000 Rensel ..... 267/64.11  
6,375,168 B2 \* 4/2002 Behrends ..... 267/64.19  
6,698,730 B2 \* 3/2004 Easter ..... 267/64.28

**1 Claim, 6 Drawing Sheets**



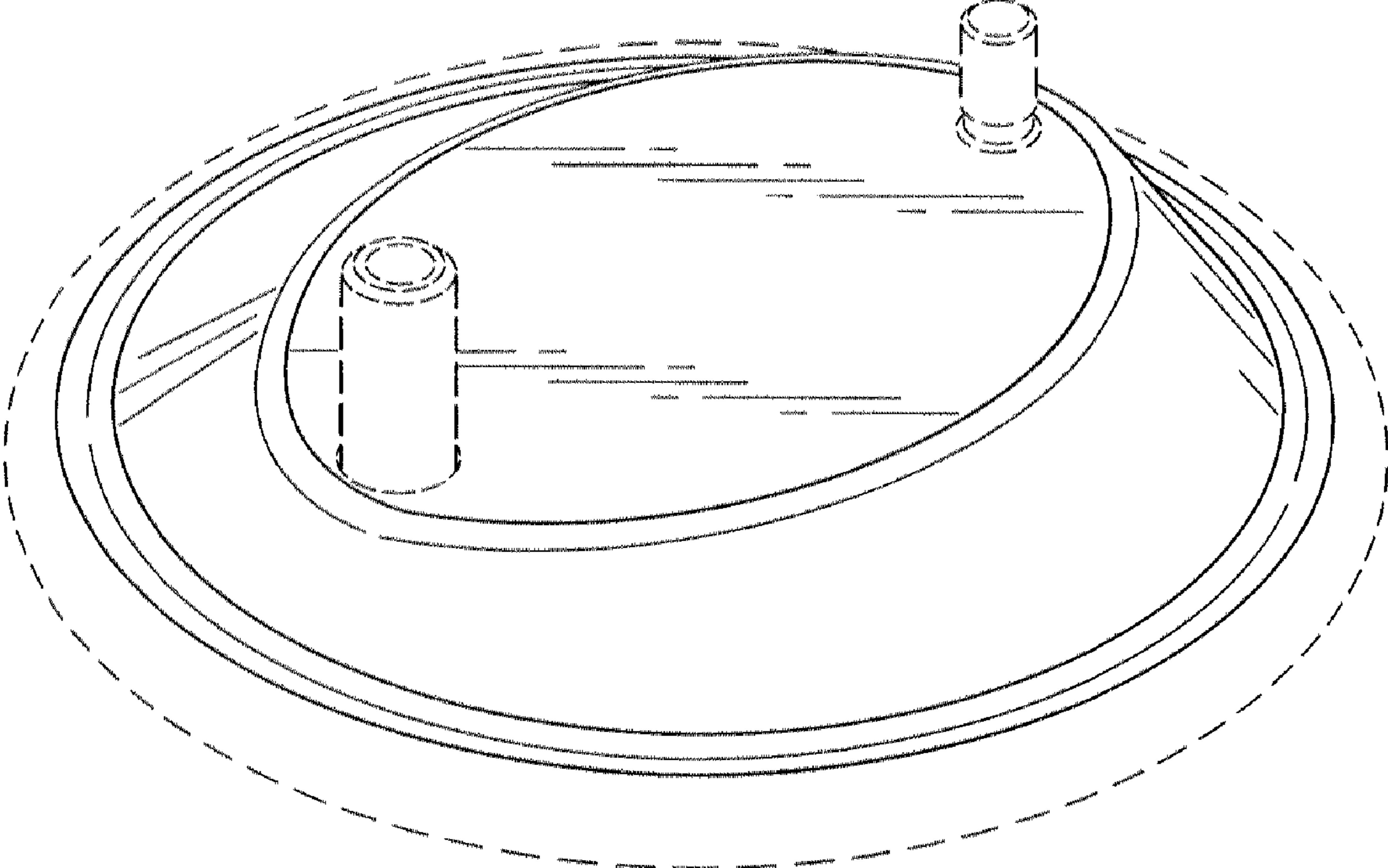


FIG. 1

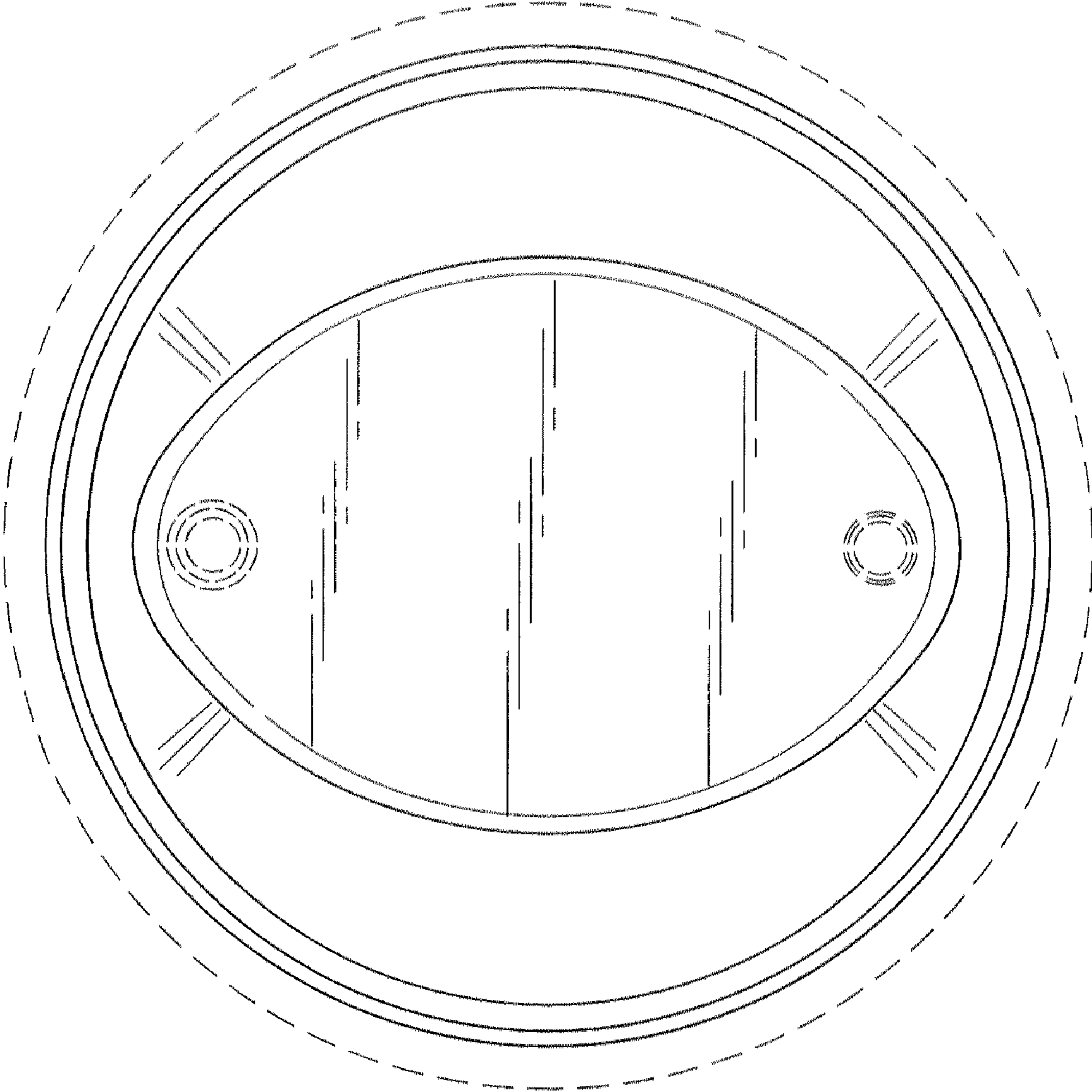


FIG. 2

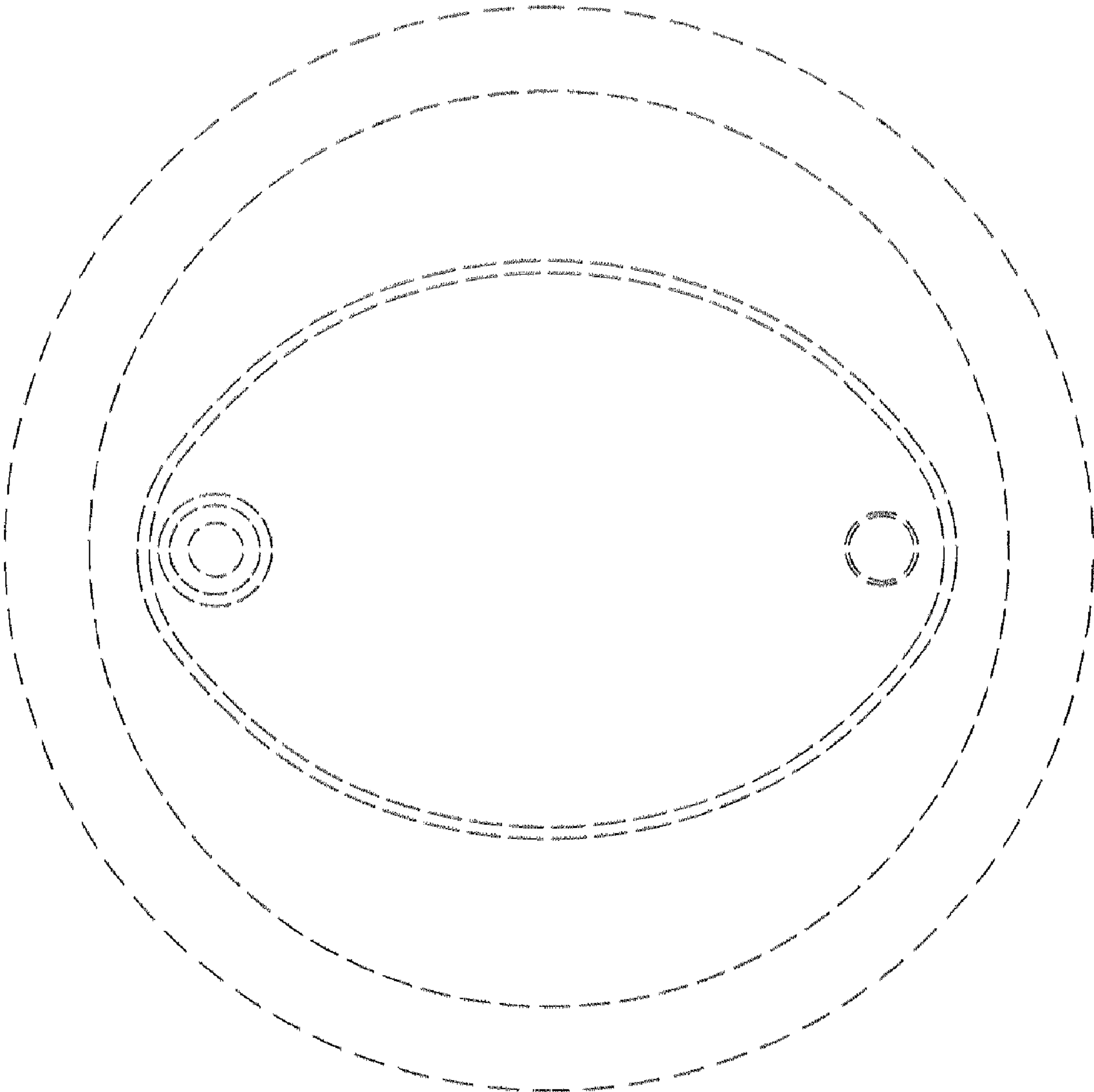


FIG. 3



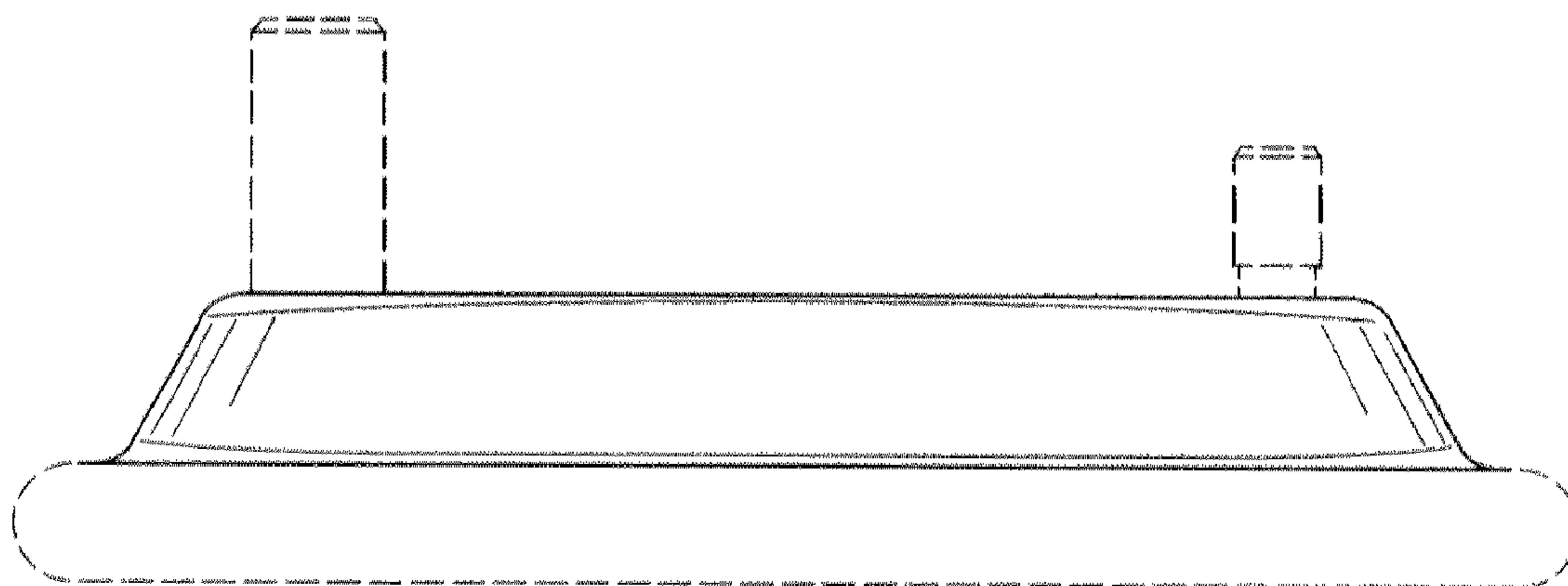


FIG. 4

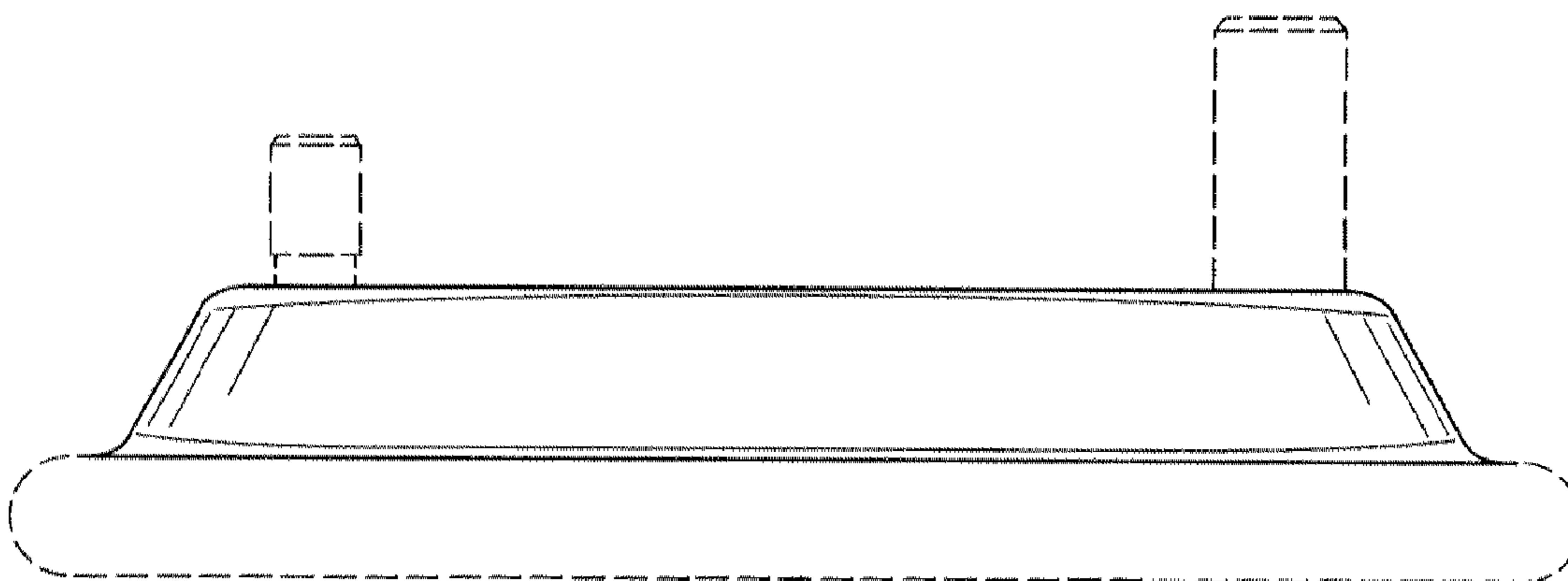


FIG. 5

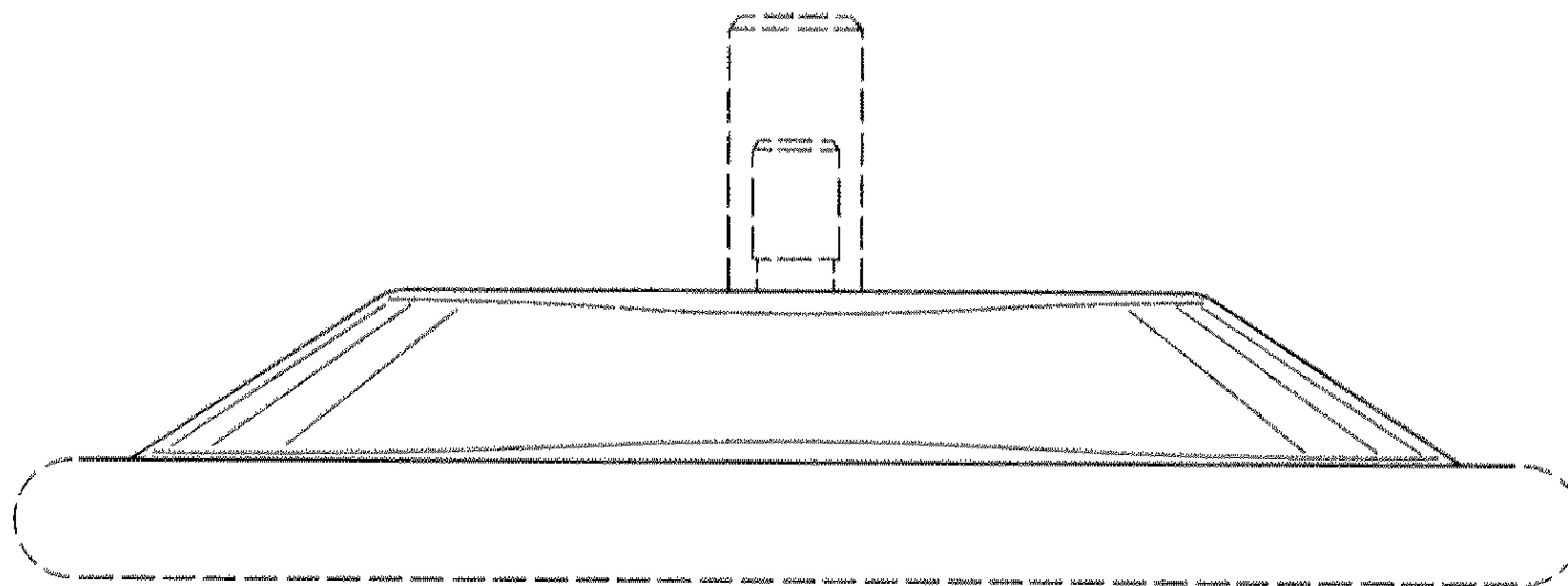


FIG. 6

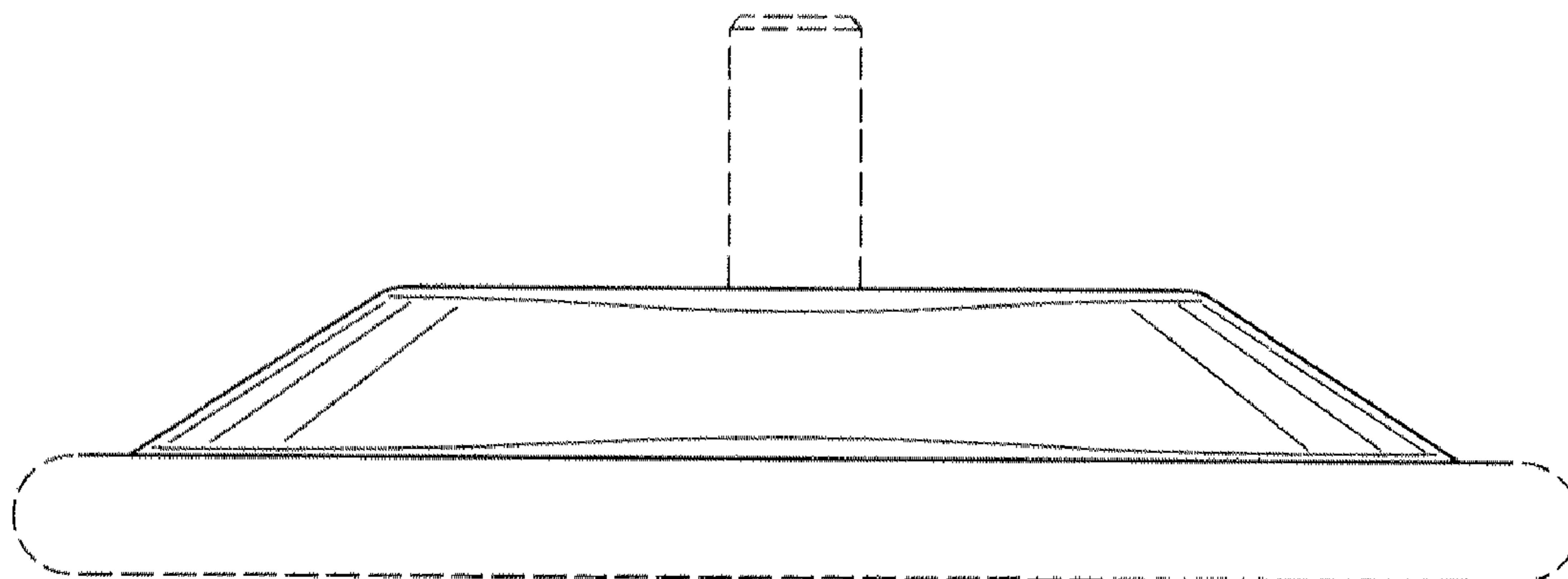


FIG. 7

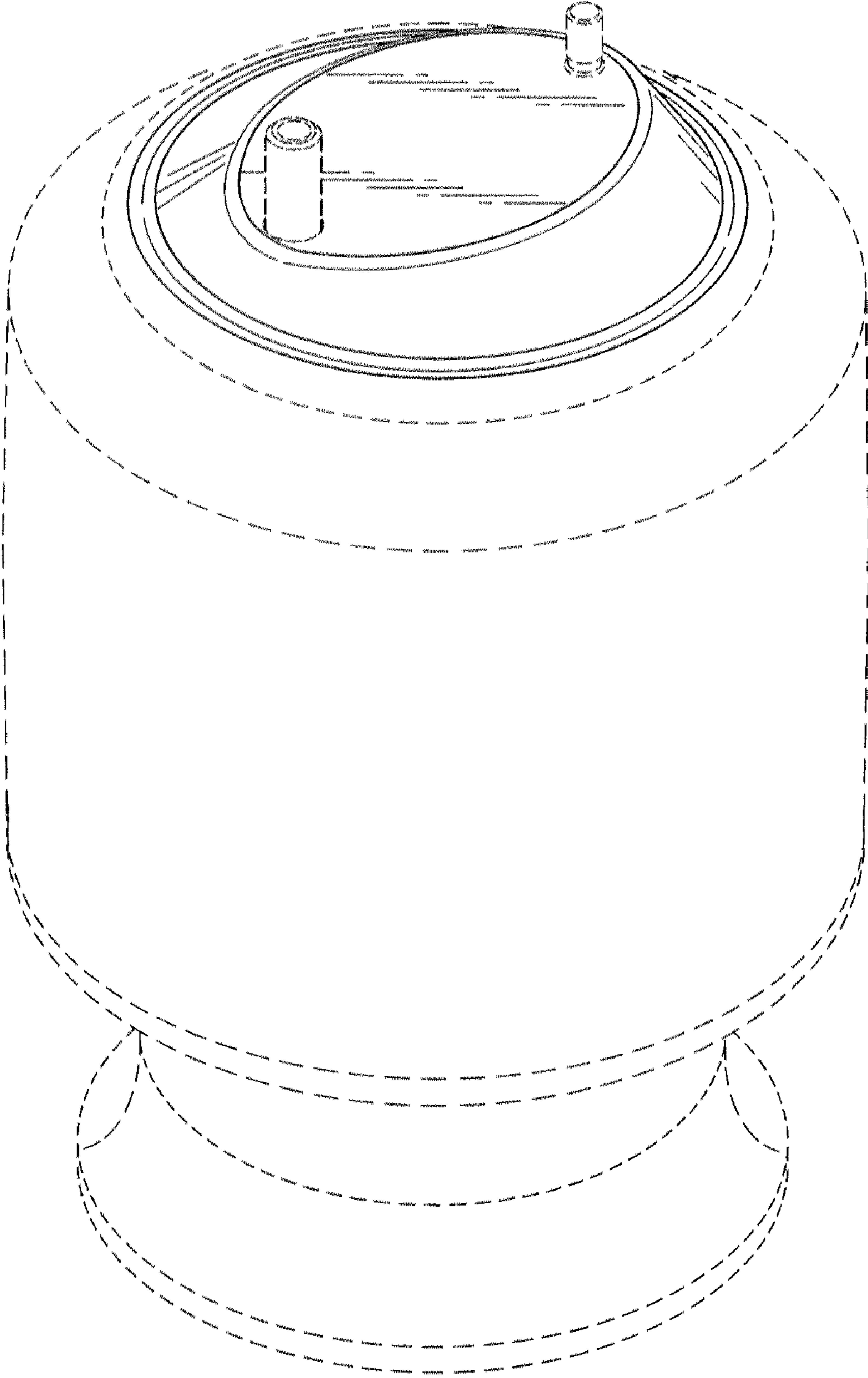


FIG. 8