



US00D674322S

(12) **United States Design Patent**  
**Hilgart et al.**

(10) **Patent No.:** **US D674,322 S**  
(45) **Date of Patent:** **\*\* Jan. 15, 2013**

- (54) **HANDLEBAR MOUNT FOR A BICYCLE COMPUTER**
- (75) Inventors: **Randy J. Hilgart**, Cottage Grove, WI (US); **John W. Grosz**, Waupun, WI (US); **Matthew T. Woerpel**, Lodi, WI (US); **Michael J. Barczak**, Watertown, WI (US)
- (73) Assignee: **Saris Cycling Group, Inc.**, Madison, WI (US)
- (\*\*) Term: **14 Years**
- (21) Appl. No.: **29/400,458**
- (22) Filed: **Aug. 29, 2011**
- (51) **LOC (9) Cl.** ..... **12-11**
- (52) **U.S. Cl.** ..... **D12/114**
- (58) **Field of Classification Search** ..... D12/114, D12/110, 111, 178, 223, 406, 407; 74/551.1-551.8, 74/548, 551; 280/288.4, 727, 728.2; 224/420; 180/219, 220; 248/200, 214, 218.4, 309.1, 248/227.3, 227.4, 230.1; D8/349, 380, 394, D8/354  
See application file for complete search history.

5,735,441 A	4/1998	Fujimoto	
6,069,788 A	5/2000	Masui	
6,204,752 B1	3/2001	Kishimoto	
6,293,449 B1	9/2001	McGuire et al.	
6,305,241 B1	10/2001	Masui et al.	
6,328,268 B1	12/2001	Irie	
6,331,089 B1	12/2001	Iteya	
6,446,922 B2	9/2002	Irie	
6,523,772 B2	2/2003	Ueno	
6,557,437 B2	5/2003	Masui et al.	
6,584,872 B1	7/2003	Kojima	
6,711,966 B2	3/2004	Chuang	
6,923,551 B2	8/2005	Galli	
6,926,242 B2	8/2005	Hall	
6,981,413 B2	1/2006	Kinoshita	
7,077,302 B2	7/2006	Chuang	
7,132,931 B2	11/2006	Okada	
7,226,321 B2	6/2007	Uhari	
D553,485 S	10/2007	Hall	
D604,187 S	11/2009	Dacko et al.	
2005/0092798 A1	5/2005	Borgman et al.	
2007/0068985 A1	3/2007	Nakahara	
2007/0296179 A1*	12/2007	Orr et al.	280/288.4
2010/0122994 A1	5/2010	Chuang	

\* cited by examiner

*Primary Examiner* — Susan M Lee  
*Assistant Examiner* — Linda G. Brooks  
(74) *Attorney, Agent, or Firm* — Boyle Fredrickson, S.C.

(56) **References Cited**

**U.S. PATENT DOCUMENTS**

2,588,671 A	3/1952	Tringali
4,479,693 A	10/1984	Uyeda et al.
4,662,547 A	5/1987	Villanueva et al.
4,697,725 A	10/1987	Miree
4,819,217 A	4/1989	Houlihan
5,144,546 A	9/1992	Burdi
5,181,774 A	1/1993	Lane
5,332,183 A	7/1994	Kagayama
5,355,746 A	10/1994	Lin
5,370,412 A	12/1994	Chou
D353,986 S	1/1995	Maglica
5,423,509 A	6/1995	La Porte et al.
5,487,497 A	1/1996	Kwiatkowski
D370,193 S	5/1996	Shull
5,623,731 A	4/1997	Ehrgott et al.
5,644,511 A	7/1997	McWhorter

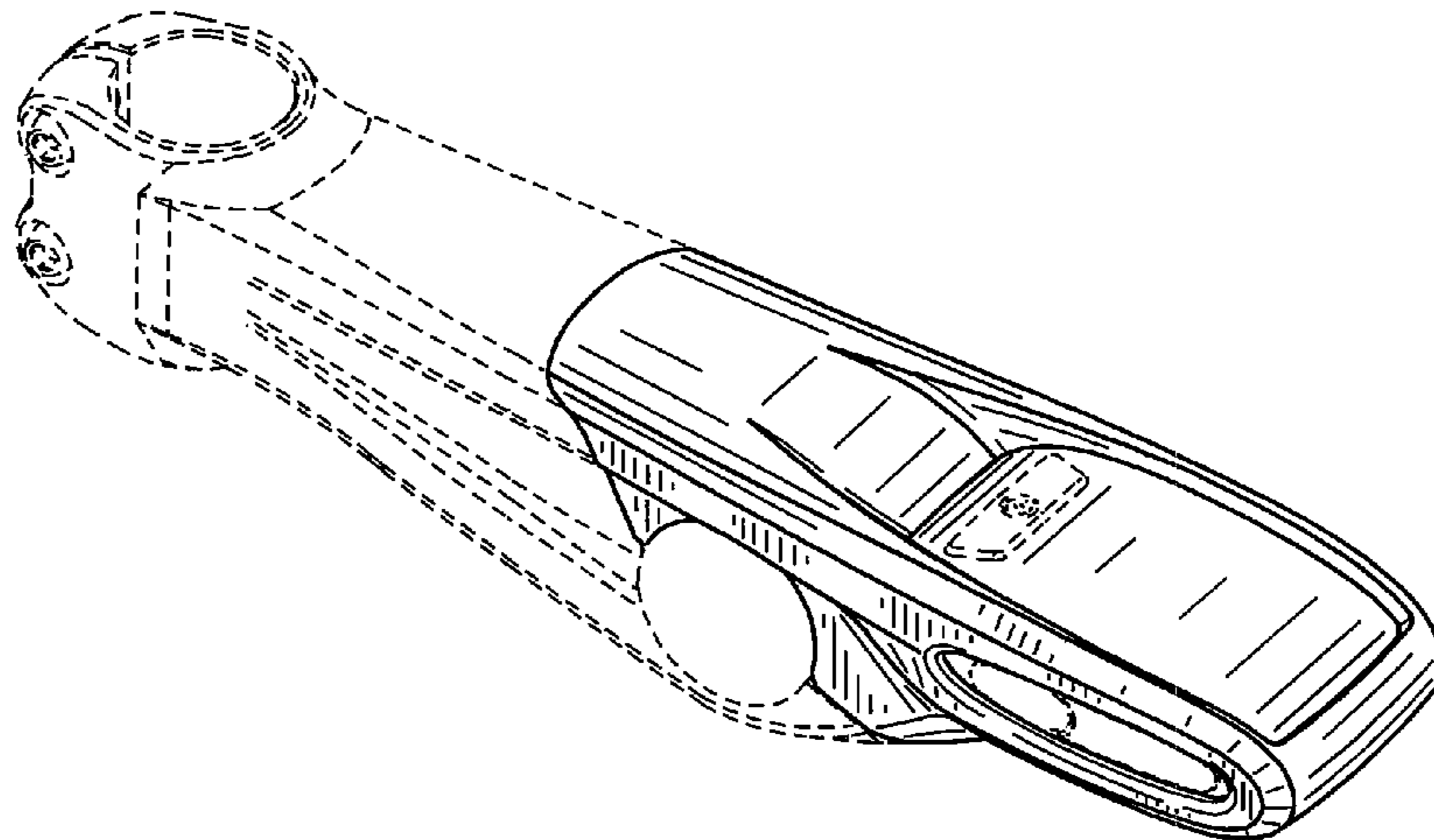
(57) **CLAIM**

The ornamental design for a handlebar mount for a bicycle computer, as shown and described.

**DESCRIPTION**

FIG. 1 is an isometric view of a handlebar mount for a bicycle computer incorporating our new design, wherein the phantom lines illustrate environment and form no part of the claimed design;  
FIG. 2 is a right side elevation view thereof;  
FIG. 3 is a top plan view thereof;  
FIG. 4 is a bottom plan view thereof;  
FIG. 5 is a rear elevation view thereof; and,  
FIG. 6 is a front elevation view thereof.

**1 Claim, 4 Drawing Sheets**



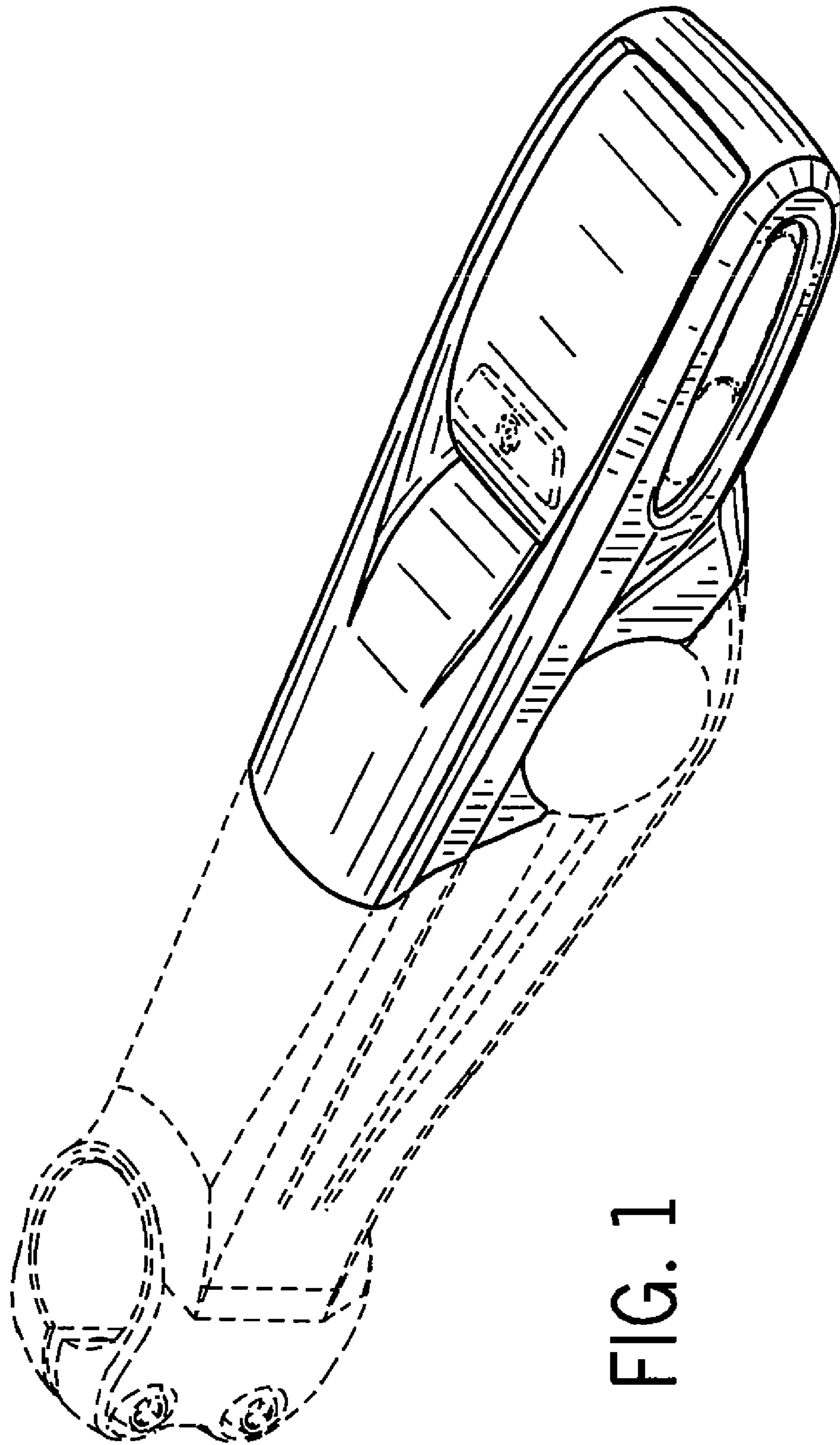


FIG. 1

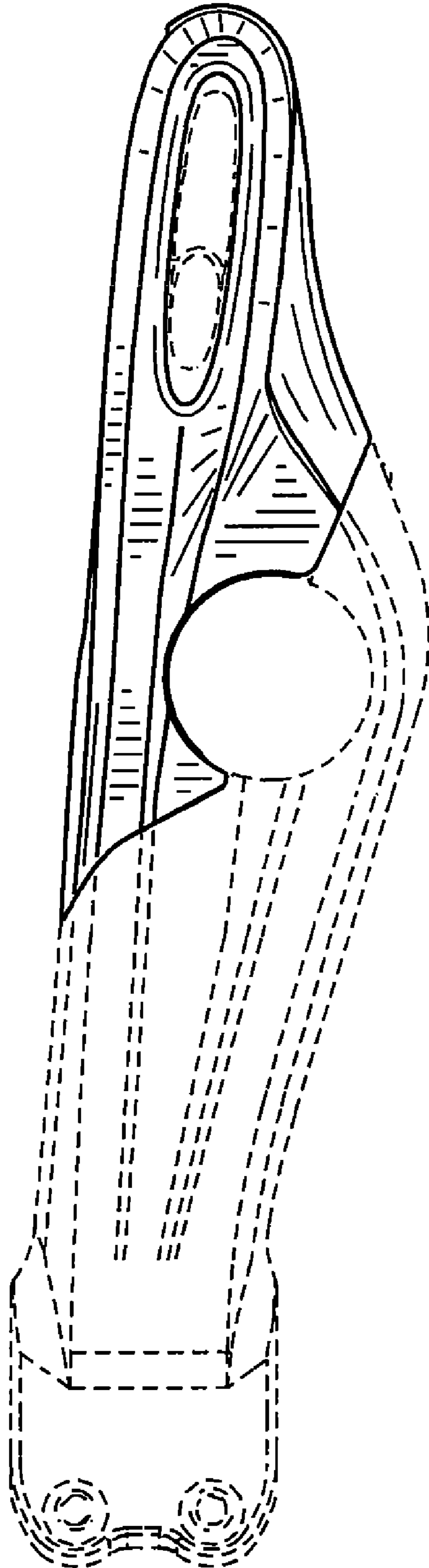


FIG. 2

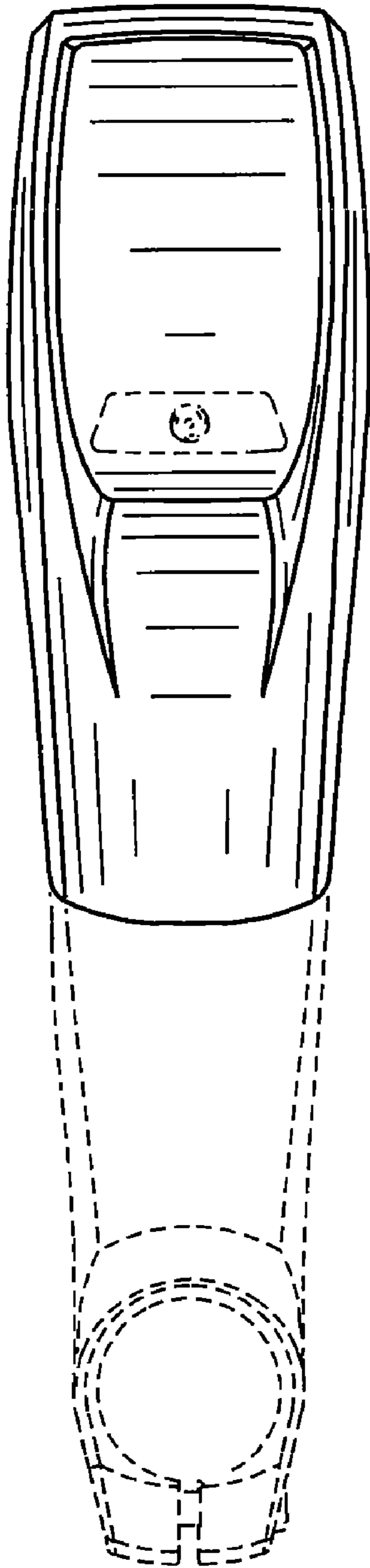


FIG. 3

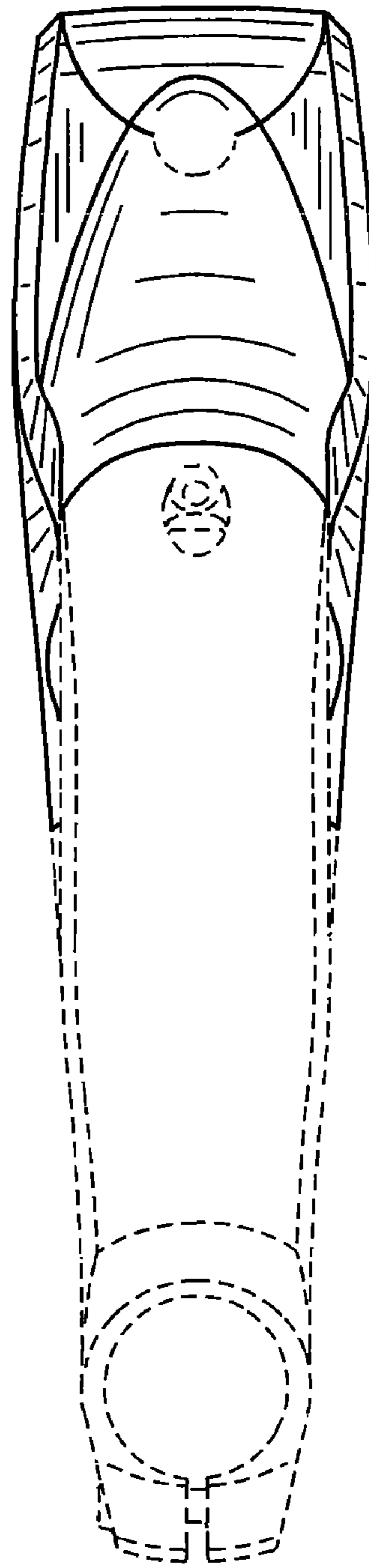


FIG. 4

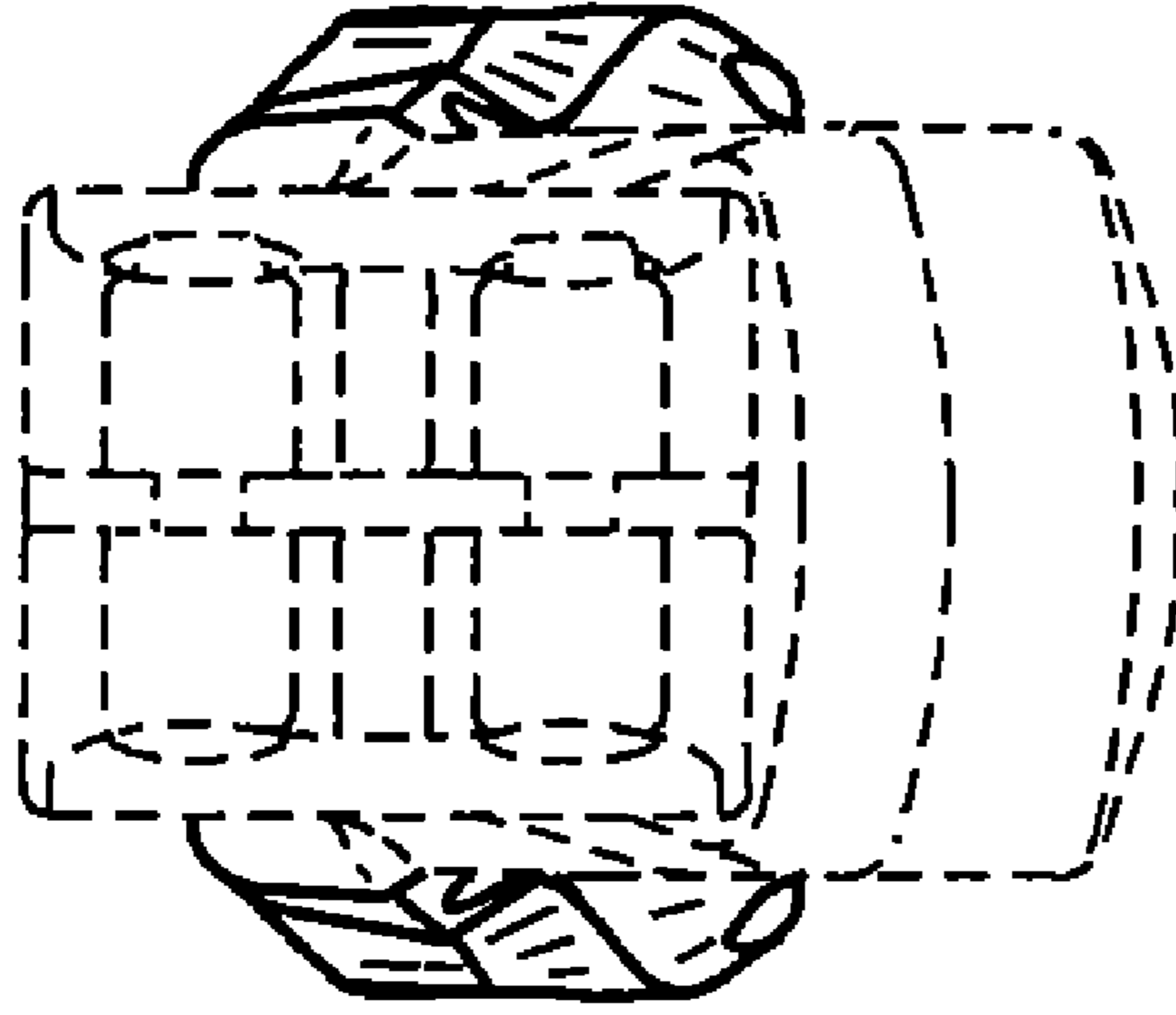


FIG. 5

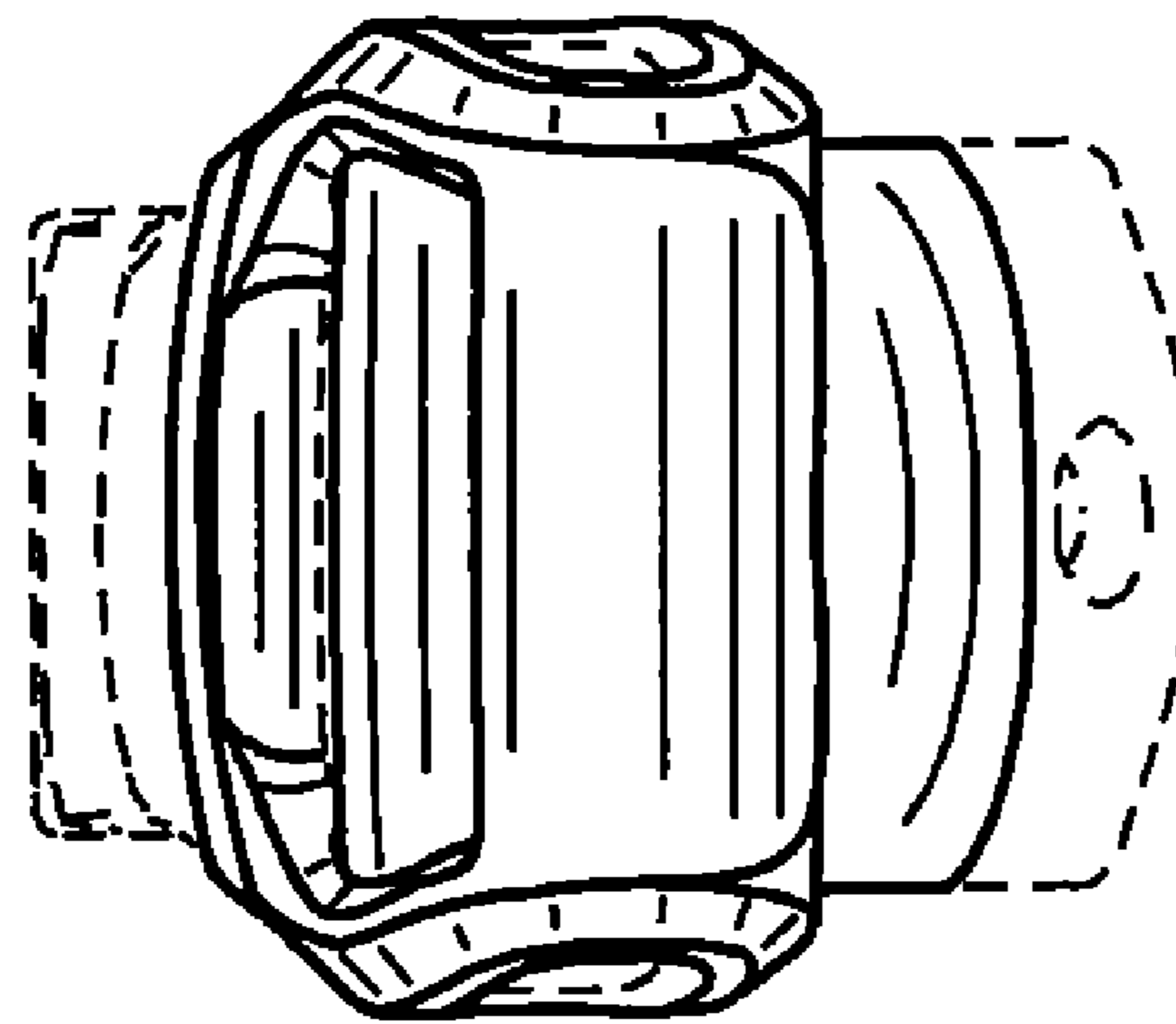


FIG. 6