



US00D674321S

(12) **United States Design Patent**  
**Huang et al.**

(10) **Patent No.:** **US D674,321 S**  
(45) **Date of Patent:** **\*\* Jan. 15, 2013**

(54) **SCOOTER**

(75) Inventors: **Kuo-Feng Huang**, Kaohsiung (TW);  
**Jung-Chung Chen**, Kaohsiung (TW)

(73) Assignee: **Kwang Yang Motor Co., Ltd.**,  
Kaohsiung (TW)

(\*\*) Term: **14 Years**

(21) Appl. No.: **29/404,997**

(22) Filed: **Oct. 27, 2011**

(51) **LOC (9) Cl.** ..... **12-11**

(52) **U.S. Cl.** ..... **D12/110**

(58) **Field of Classification Search** ..... D12/110;  
180/219, 220, 225, 229

See application file for complete search history.

(56) **References Cited**

**U.S. PATENT DOCUMENTS**

D493,122 S \* 7/2004 Huang et al. .... D12/110  
D539,706 S \* 4/2007 Huang ..... D12/110  
D556,640 S \* 12/2007 Wu ..... D12/110

D593,909 S \* 6/2009 Chiu et al. .... D12/110  
D601,928 S \* 10/2009 Chen et al. .... D12/110  
D639,212 S \* 6/2011 Huang et al. .... D12/110

\* cited by examiner

*Primary Examiner* — Susan M Lee

*Assistant Examiner* — Linda G. Brooks

(74) *Attorney, Agent, or Firm* — Whyte Hirschboeck Dudek  
SC

(57) **CLAIM**

The ornamental design for a scooter, as shown and described.

**DESCRIPTION**

FIG. 1 is a perspective view of a scooter showing my new design:

FIG. 2 is a front elevational view thereof;

FIG. 3 is a rear elevational view thereof;

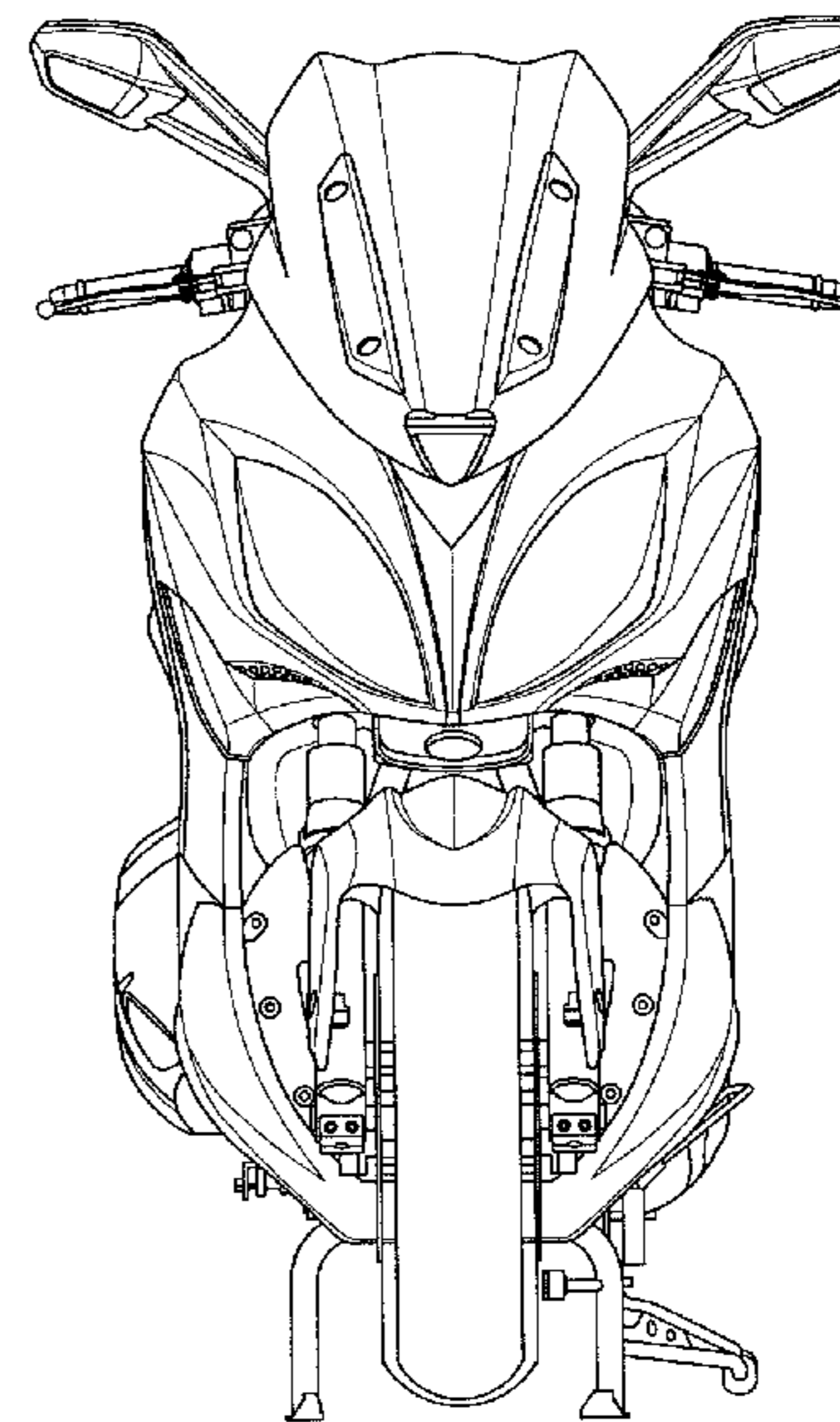
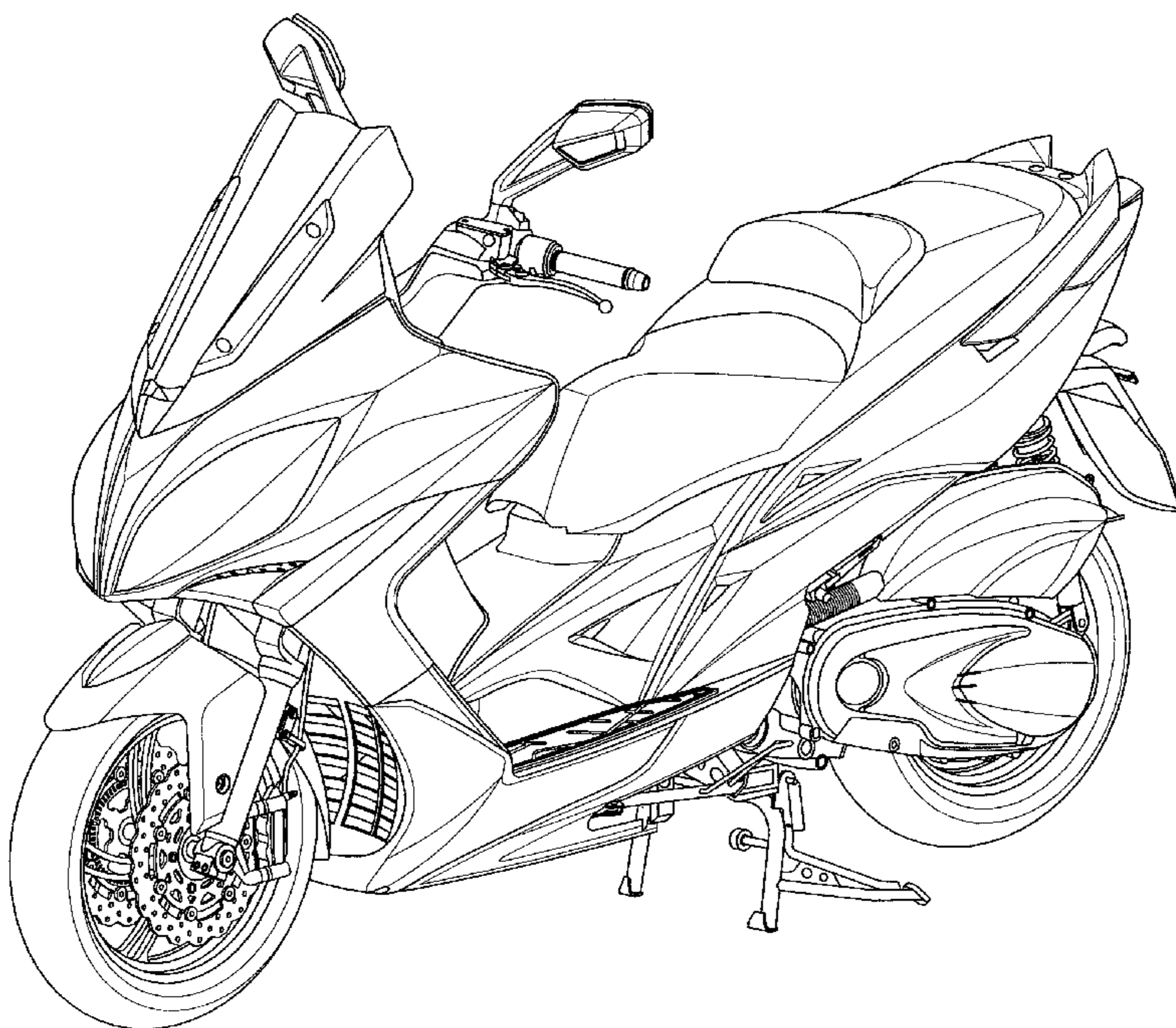
FIG. 4 is a left side elevational view thereof;

FIG. 5 is a right side elevational view thereof;

FIG. 6 is a top plan view thereof; and,

FIG. 7 is a bottom plan view thereof.

**1 Claim, 6 Drawing Sheets**



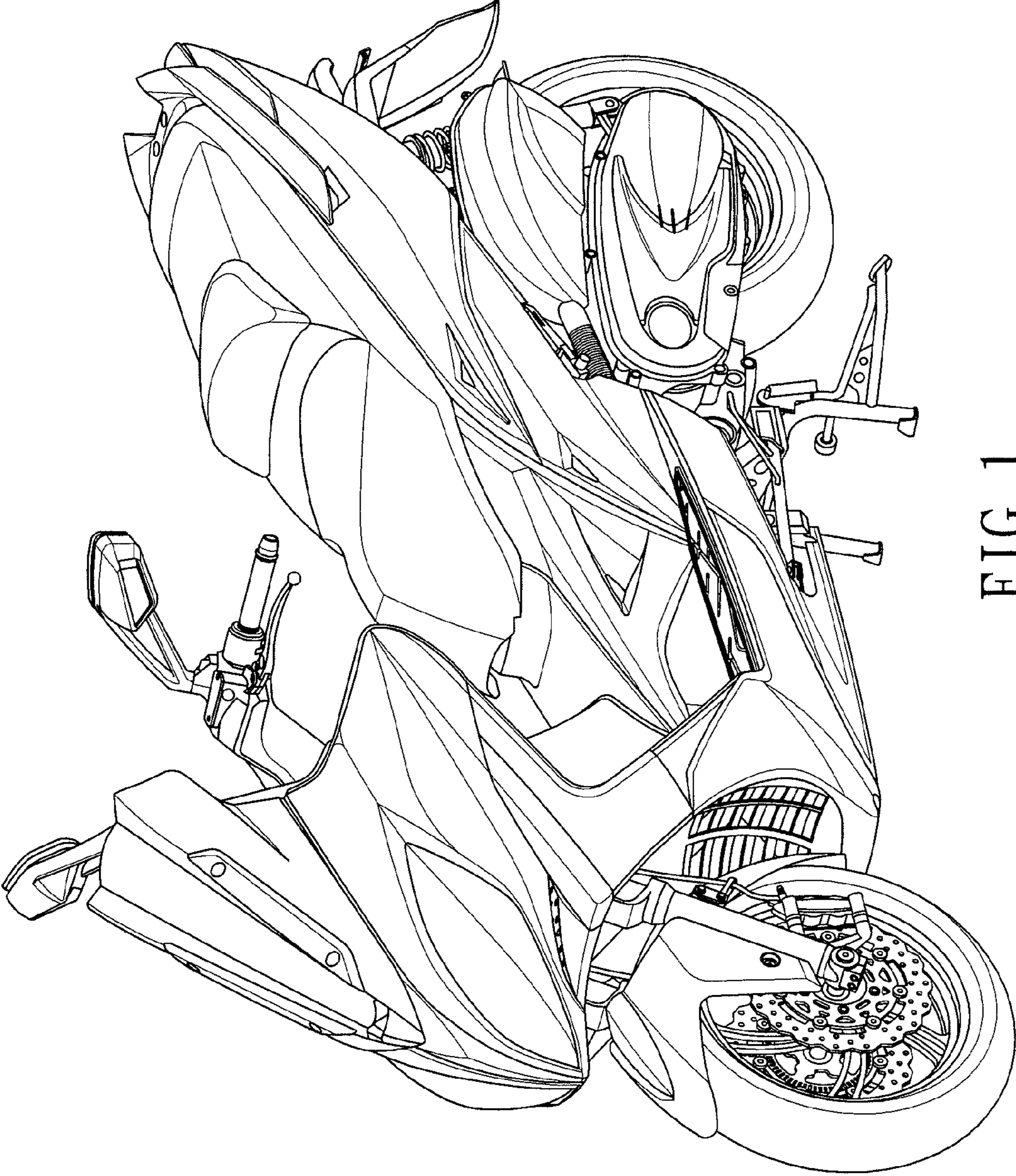


FIG. 1

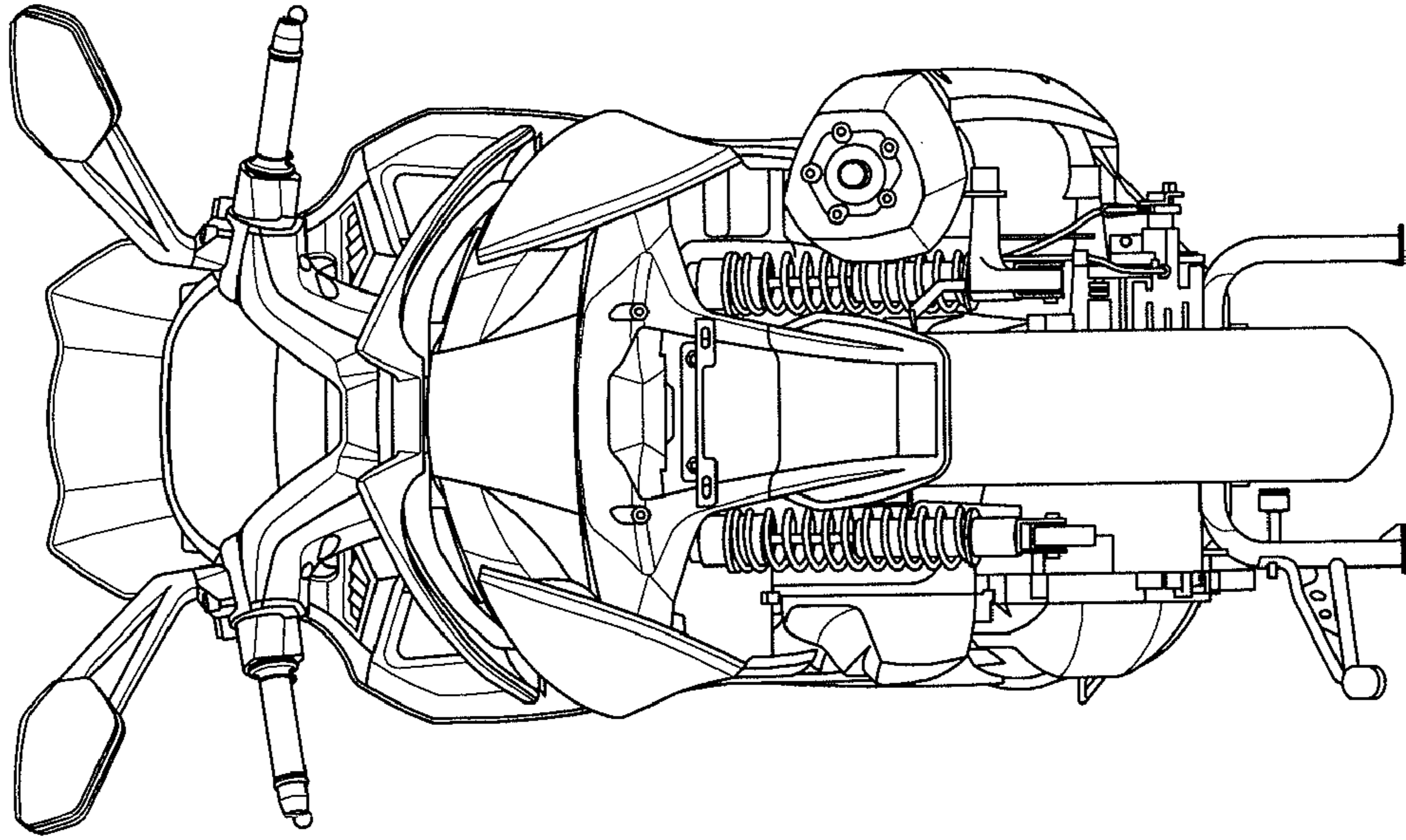


FIG. 3

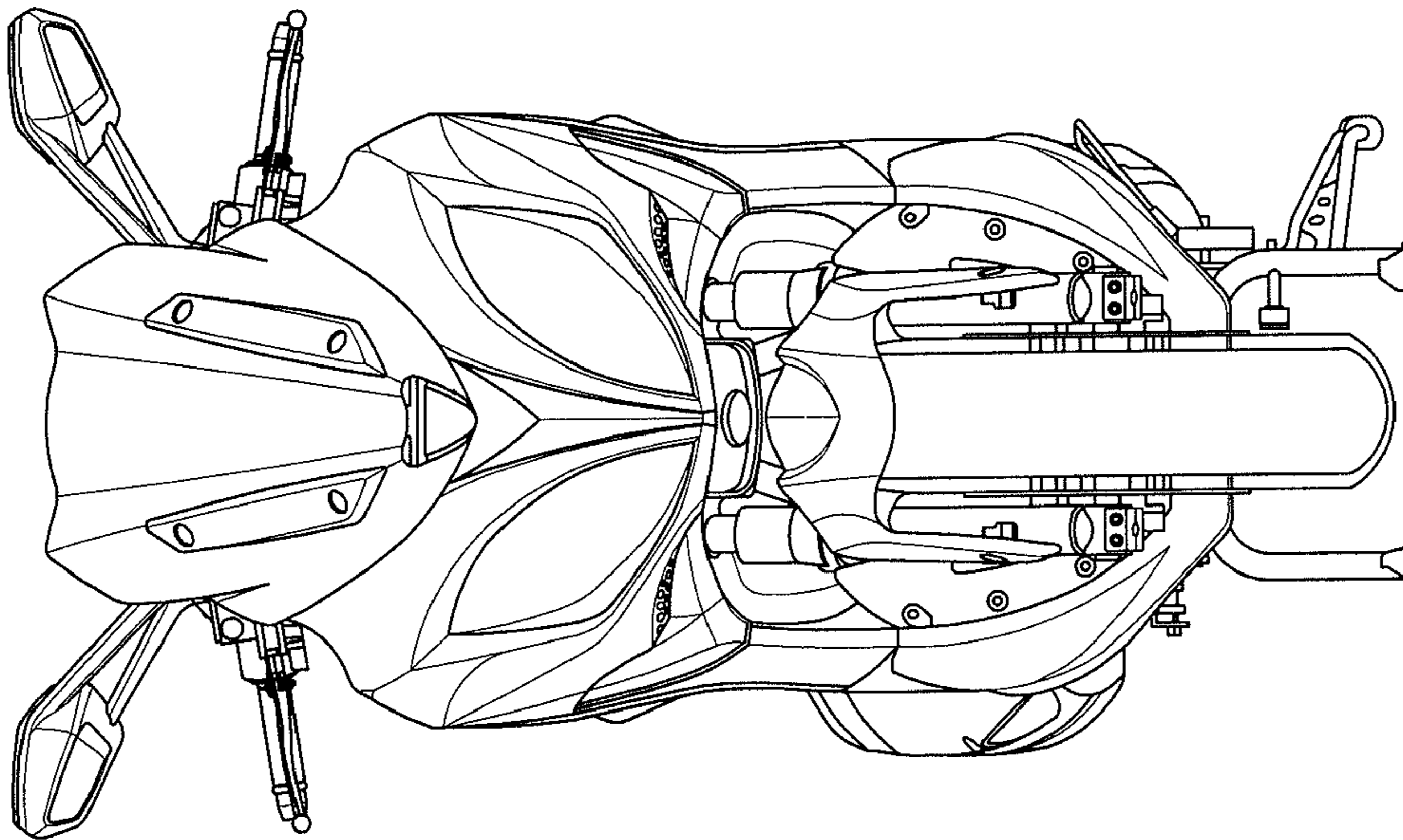


FIG. 2

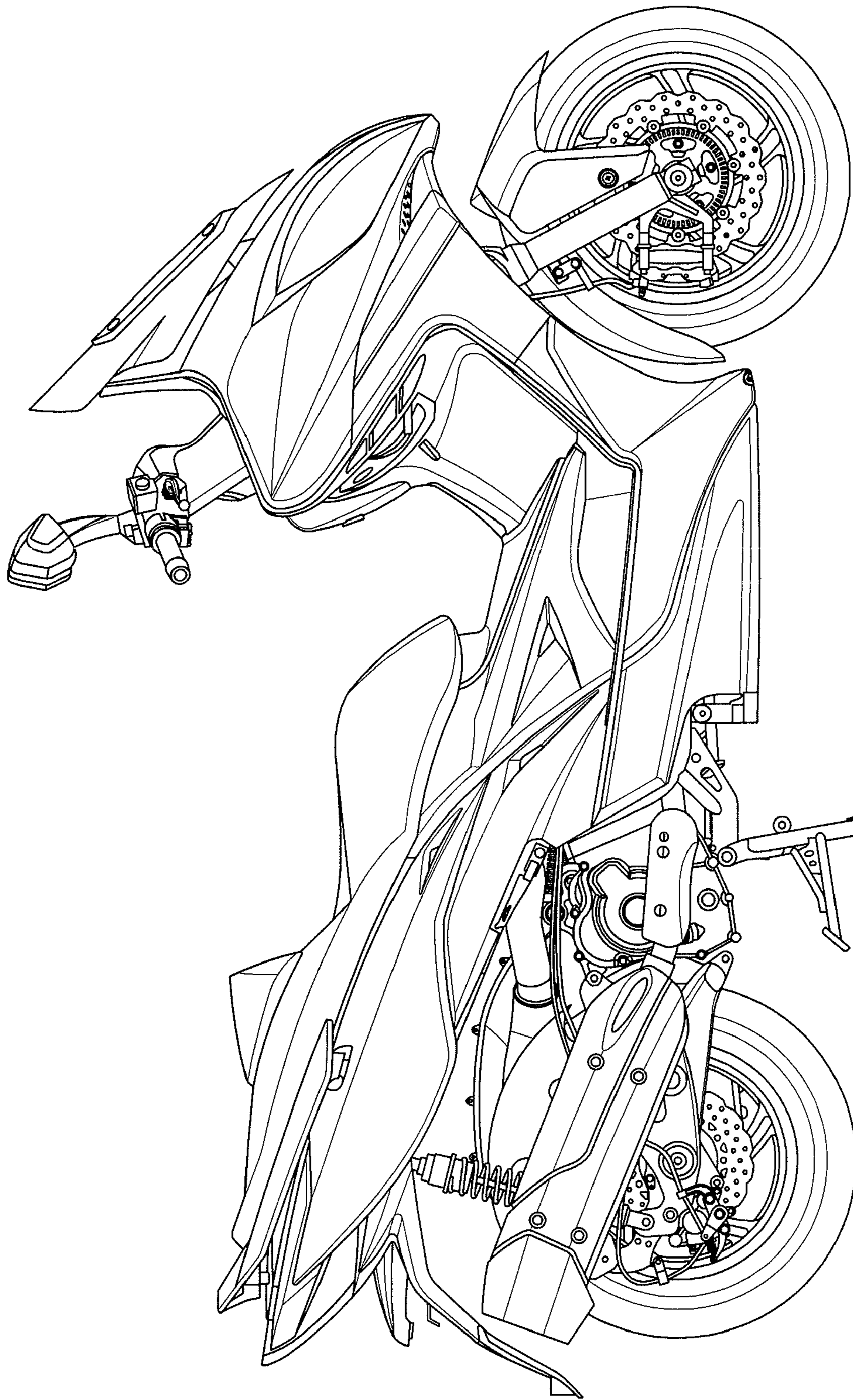


FIG. 4

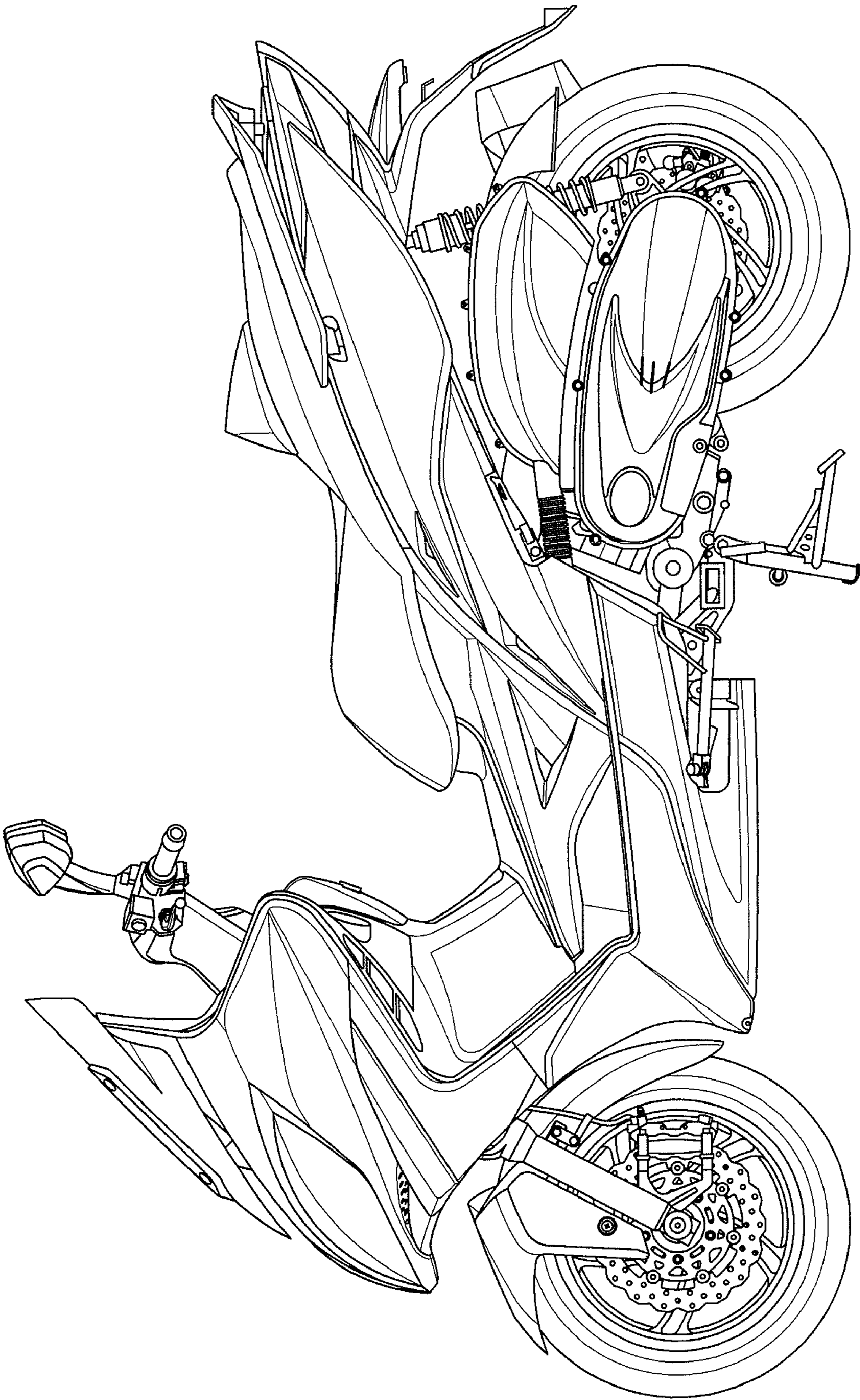


FIG. 5

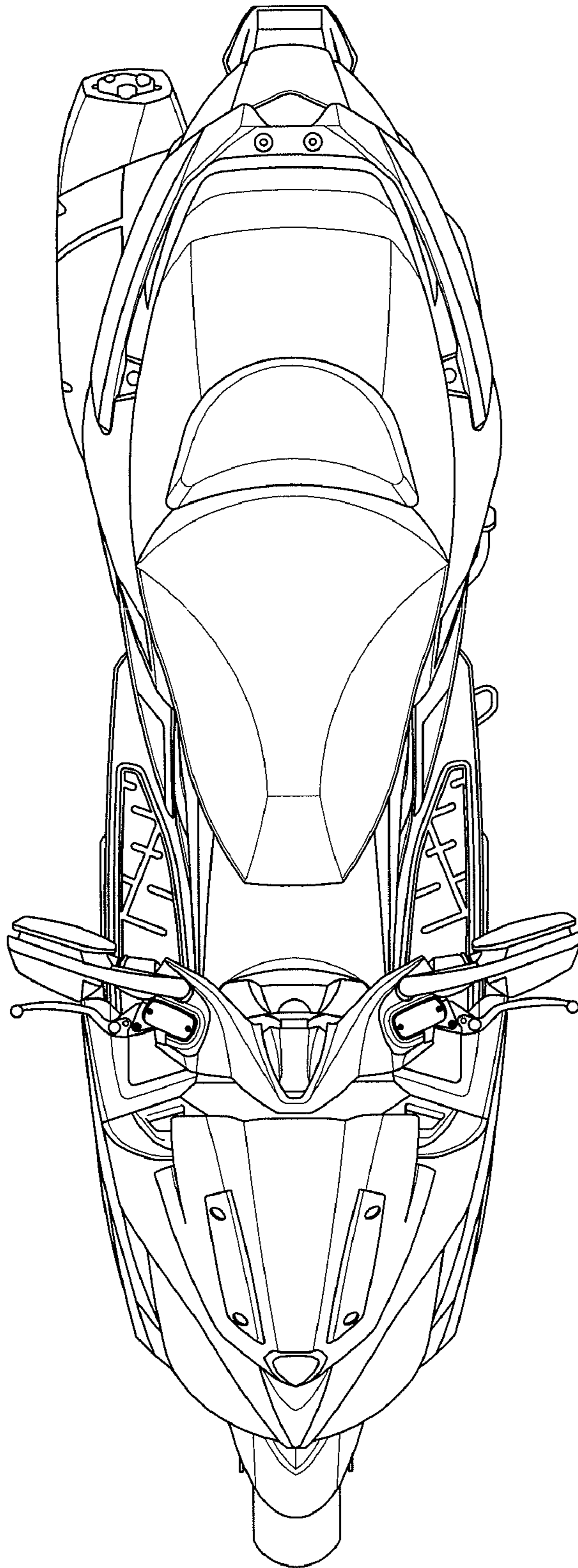


FIG. 6

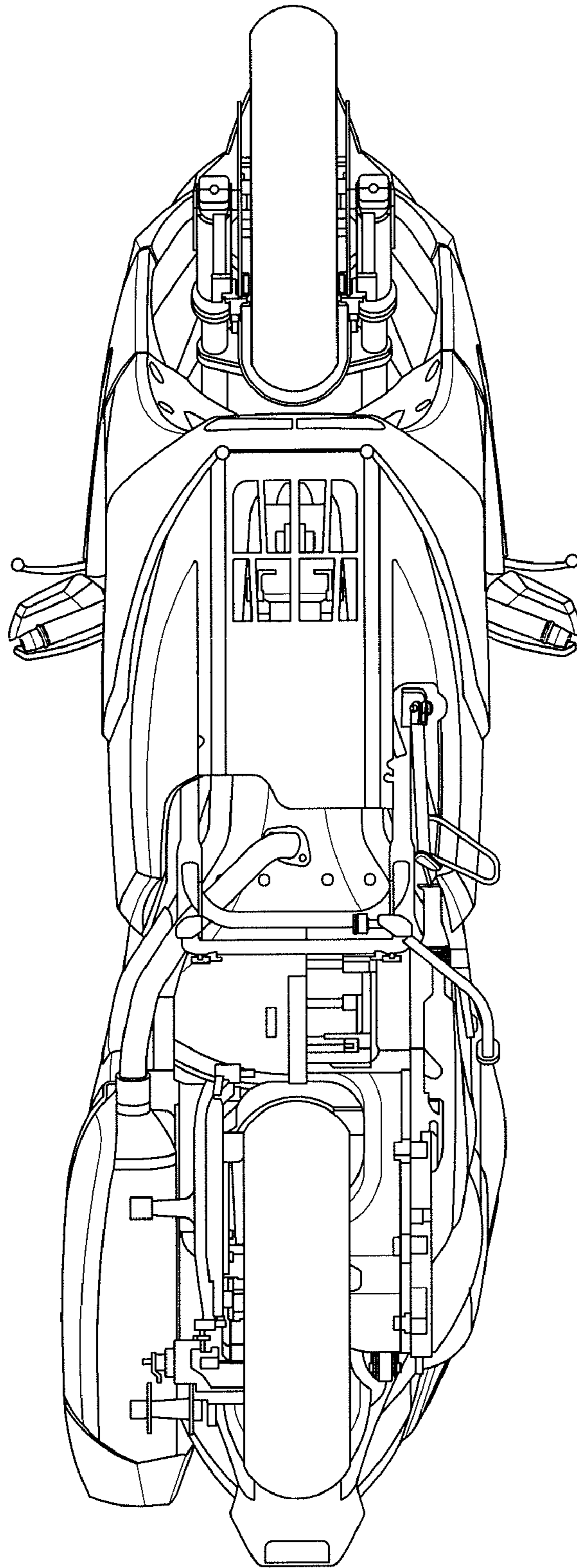


FIG. 7