



US00D674320S

(12) **United States Design Patent**
Booher

(10) **Patent No.:** **US D674,320 S**
(45) **Date of Patent:** **** *Jan. 15, 2013**

(54) **TRAILER SIDE WALL AND FLOOR STRUCTURE**

(75) Inventor: **Howard D. Booher**, Atwater, OH (US)

(73) Assignee: **East Manufacturing Corporation**,
Randolph, OH (US)

(*) Notice: This patent is subject to a terminal disclaimer.

(**) Term: **14 Years**

(21) Appl. No.: **29/387,880**

(22) Filed: **Mar. 19, 2011**

Related U.S. Application Data

(63) Continuation-in-part of application No. 13/049,382, filed on Mar. 16, 2011.

(51) **LOC (9) Cl.** **12-10**

(52) **U.S. Cl.** **D12/106**

(58) **Field of Classification Search** D12/19,
D12/129, 100-106, 111-112; D21/425,
D21/435; D34/21-26, 12, 16-19; 280/204,
280/205, 63, 475, 482, 647; 296/168, 180,
296/180.2, 61, 10, 100.01-100.08

See application file for complete search history.

(56) **References Cited**

U.S. PATENT DOCUMENTS

1,847,132	A *	3/1932	Morrow	105/377.05
2,356,008	A	8/1944	Schafer	
D194,662	S *	2/1963	Zala	D12/102
4,302,044	A *	11/1981	Sims	296/186.4
4,627,658	A *	12/1986	Vold et al.	296/100.1
4,767,152	A *	8/1988	Stluka et al.	296/100.1
4,874,184	A *	10/1989	Boyer	280/423.1
D318,033	S *	7/1991	Pelt	D12/95

5,041,318	A	8/1991	Hulls	
5,042,395	A	8/1991	Wackerle et al.	
5,454,620	A	10/1995	Hill et al.	
5,482,356	A	1/1996	Goodson, Jr.	
5,542,734	A *	8/1996	Burchett et al.	296/100.1
5,664,826	A	9/1997	Wilkens	
5,681,095	A	10/1997	Martin	
5,988,732	A *	11/1999	Schouten	296/186.4
6,095,715	A	8/2000	Hulls	
6,227,608	B1 *	5/2001	Hoyne	296/183.1
6,425,626	B1	7/2002	Kloepfer	
6,513,297	B2	2/2003	Kloepfer	

(Continued)

FOREIGN PATENT DOCUMENTS

WO WO 2011/071930 6/2011

Primary Examiner — Katrina A Betton

(74) *Attorney, Agent, or Firm* — Fay Sharpe LLP

(57) **CLAIM**

The ornamental design for a trailer side wall and floor structure, as shown and described.

DESCRIPTION

FIG. 1 is a side view of the environment of a trailer including the trailer side wall and floor structure showing my new design;

FIG. 2 is a side view of the trailer side wall and floor structure showing my new design;

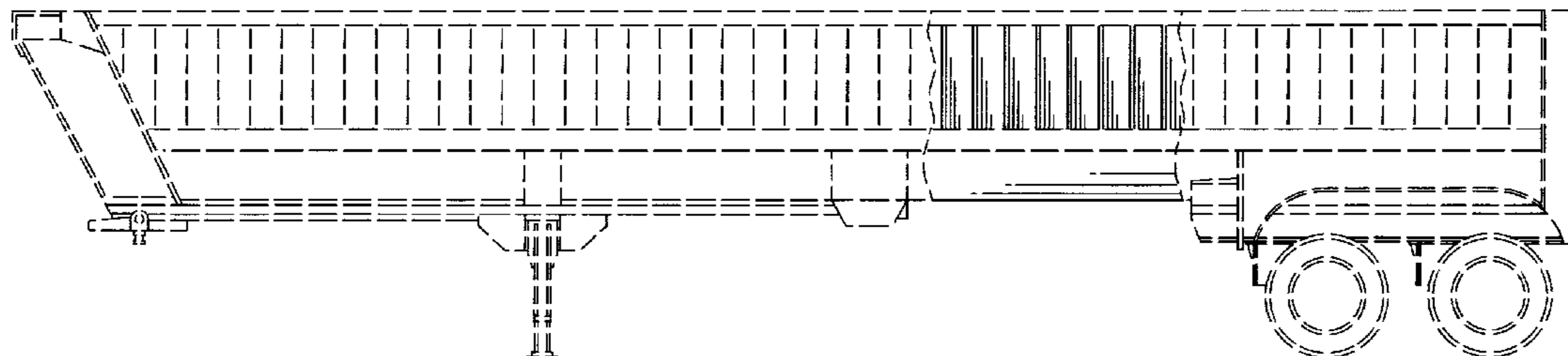
FIG. 3 is a top view of the trailer side wall and floor structure showing my new design;

FIG. 4 is a bottom view of the trailer side wall and floor structure showing my new design; and,

FIG. 5 is an isometric view of the trailer side wall and floor structure showing my new design.

Broken lines are used to depict environment and to represent the boundary of the claimed design and do not form any part of the claimed design.

1 Claim, 3 Drawing Sheets



US D674,320 S

Page 2

U.S. PATENT DOCUMENTS							
6,612,643	B1	9/2003	McWilliams	2002/0084676	A1	7/2002	Kloepfer
6,669,271	B2	12/2003	Booher	2003/0011211	A1	1/2003	Booher
6,688,673	B2	2/2004	Kloepfer	2005/0248183	A1	11/2005	Booher
6,719,360	B1	4/2004	Backs	2006/0170249	A1	8/2006	Conny et al.
6,854,789	B2	2/2005	Kloepfer	2006/0237992	A1	10/2006	Lemmons
7,484,789	B1 *	2/2009	Aulick	2007/0102961	A1	5/2007	Lemmons
7,967,363	B2 *	6/2011	Schaefer et al.	2009/0322058	A1	12/2009	Shannon
			296/100.11				
			296/100.06				

* cited by examiner

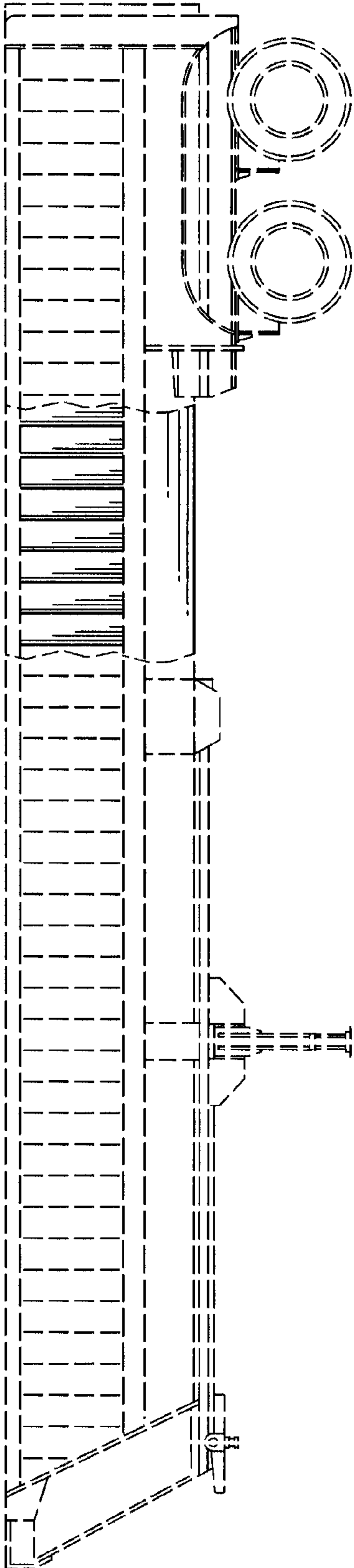


FIG. 1

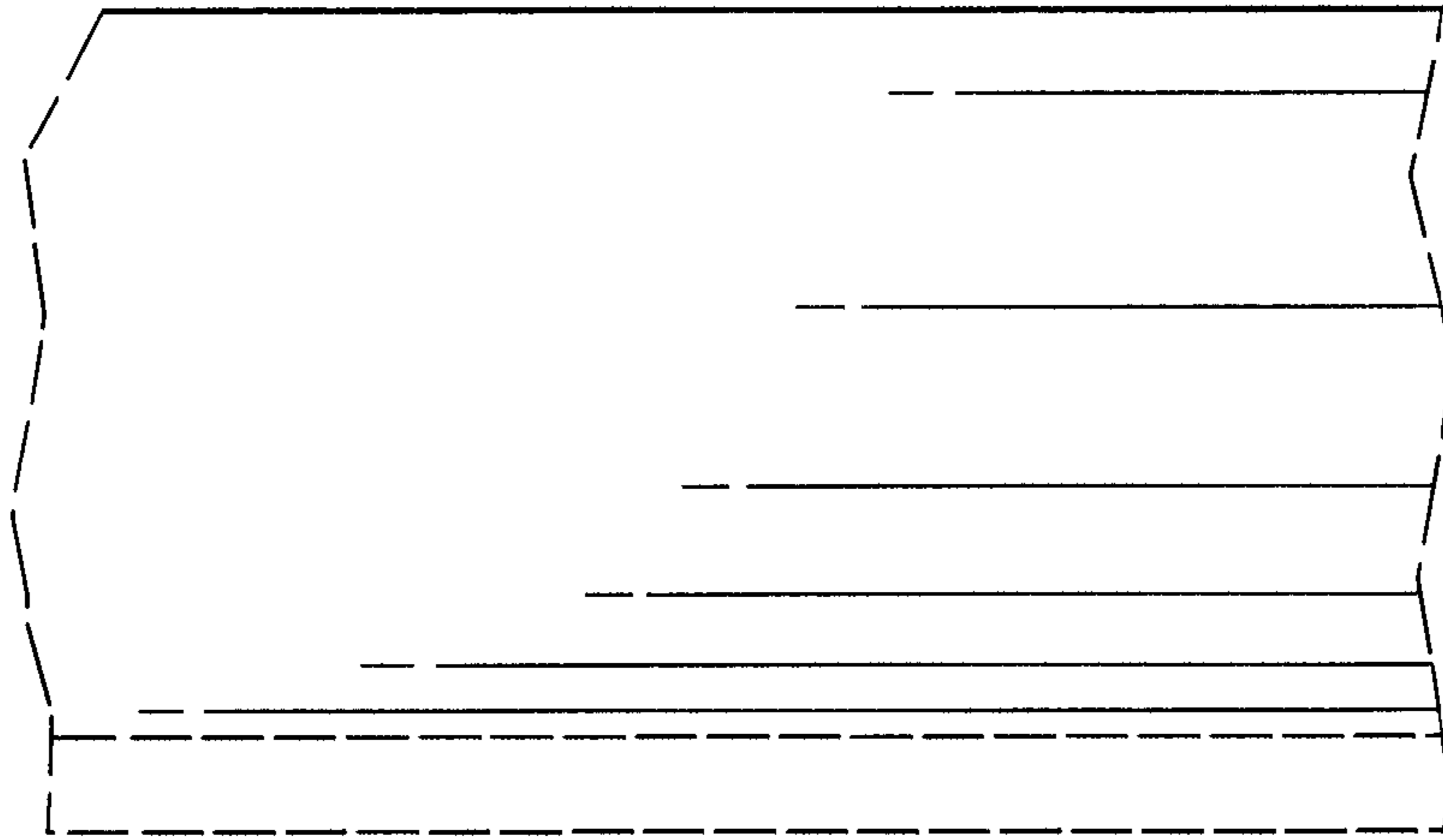


FIG. 3

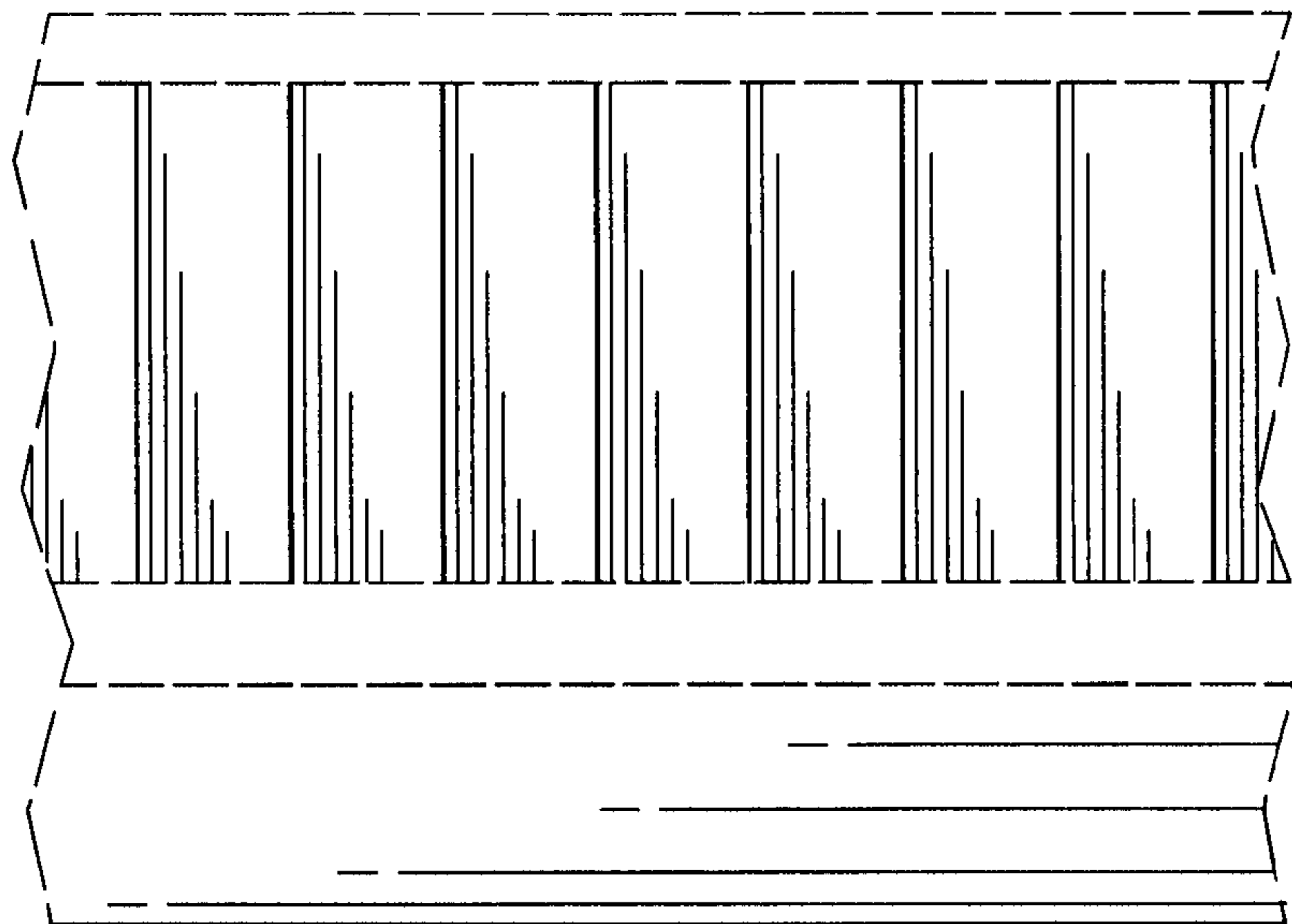


FIG. 2

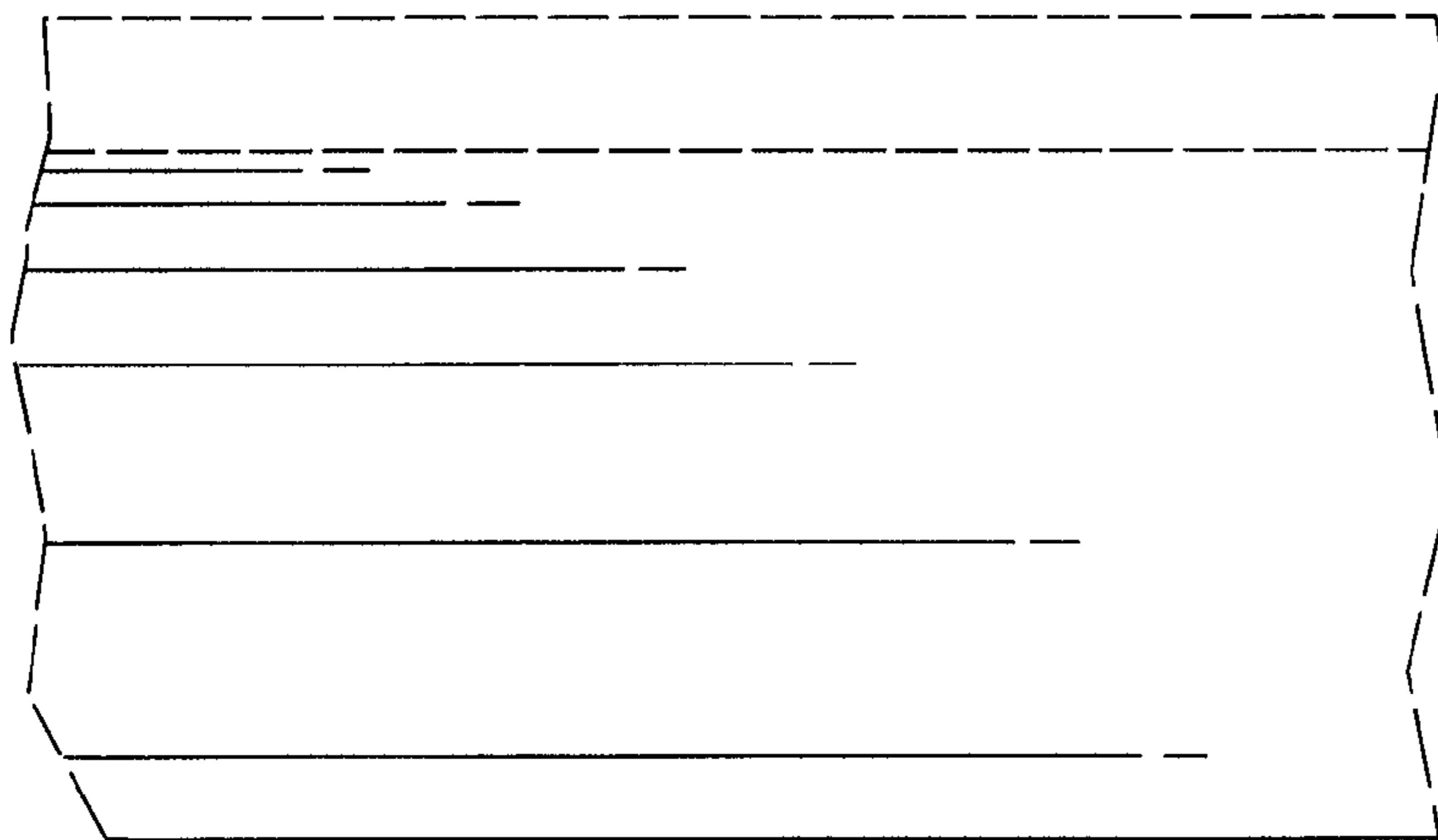


FIG. 4

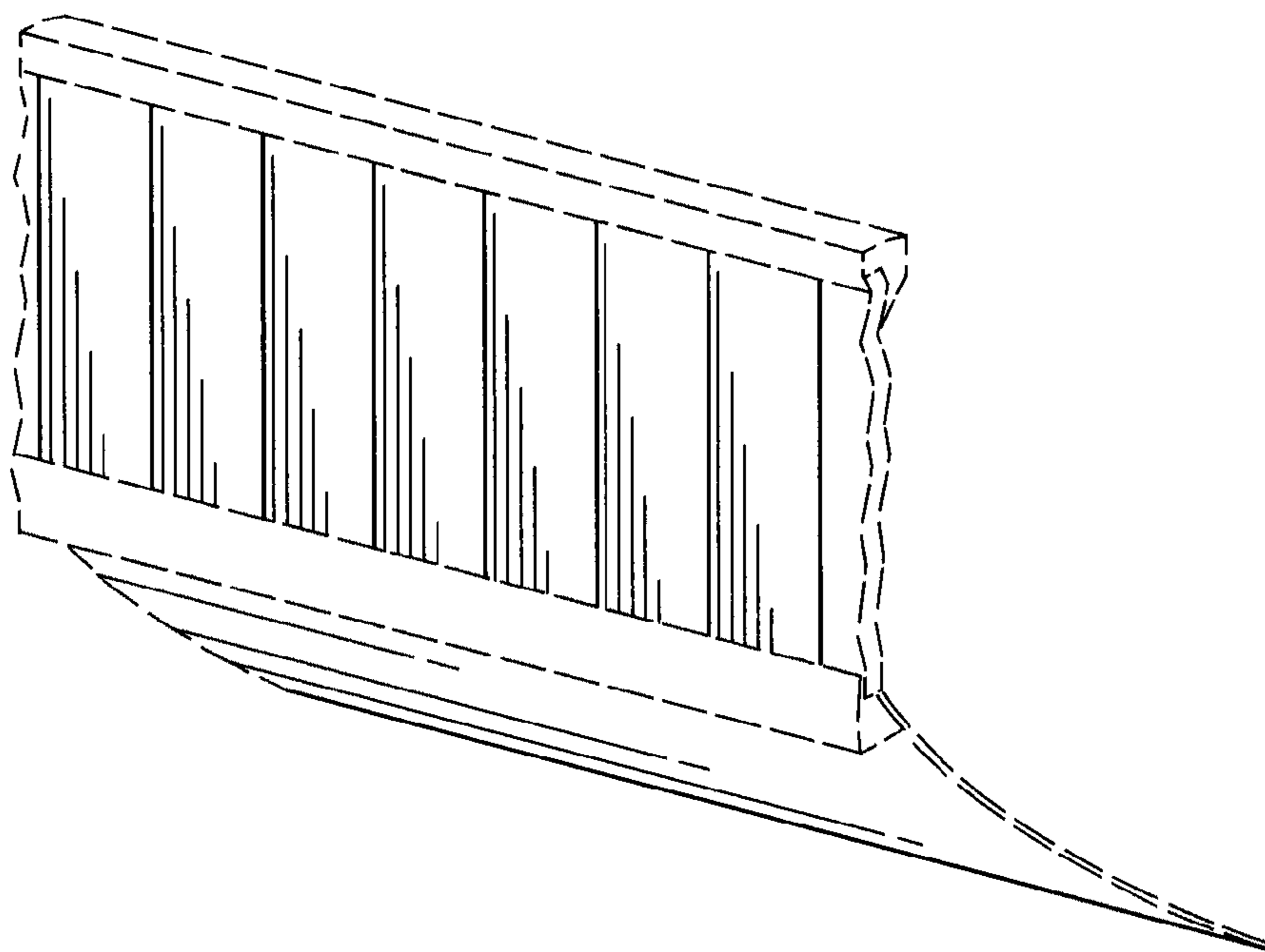


FIG. 5