



US00D674313S

(12) **United States Design Patent**
Siman-Tov et al.

(10) **Patent No.:** **US D674,313 S**
(45) **Date of Patent:** **** Jan. 15, 2013**

(54) **GEMSTONE**

(75) Inventors: **Jacob Siman-Tov**, Netanya (IL); **Itzhak Siman-Tov**, Moshav Udim (IL); **Avraham Siman-Tov**, Netanya (IL)

(73) Assignee: **Lili Diamonds of the Diamond Exchange**, Ramat Gan (IL)

(**) Term: **14 Years**

(21) Appl. No.: **29/414,809**

(22) Filed: **Mar. 5, 2012**

(30) **Foreign Application Priority Data**

Nov. 24, 2011 (IL) 51871

(51) **LOC (9) Cl.** **11-01**

(52) **U.S. Cl.** **D11/90**

(58) **Field of Classification Search** D11/1-2,
D11/26-29, 89-92; 63/26-28, 32

See application file for complete search history.

(56) **References Cited**

U.S. PATENT DOCUMENTS

D524,682 S * 7/2006 Sung et al. D11/90
D570,614 S * 6/2008 Yau D6/328
D596,662 S * 7/2009 Gonzalez D16/341

D596,982 S * 7/2009 Shah D11/90
D607,369 S * 1/2010 Swarovski D11/90
D635,050 S * 3/2011 Fakier D11/90
D665,698 S * 8/2012 Mistry et al. D11/90

OTHER PUBLICATIONS

[Online]; Diamond Source, *Crisscut Diamonds Shape*, <http://www.diamondsourceva.com/Education/Shape/diamonds-shape-crisscut.asp>, printed Jan. 4, 2012.

* cited by examiner

Primary Examiner — Ralf Seifert

(74) *Attorney, Agent, or Firm* — Nixon & Vanderhye PC

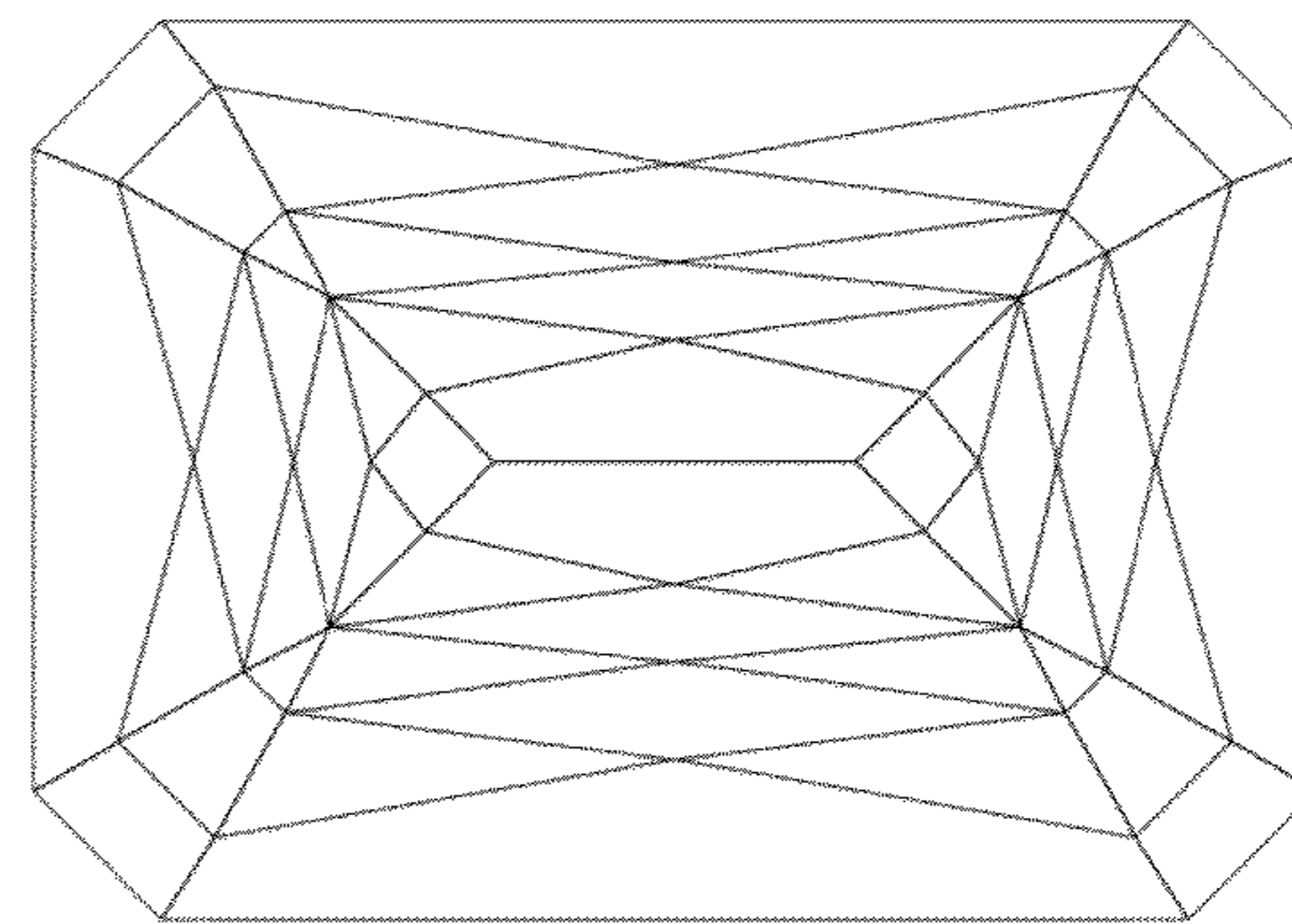
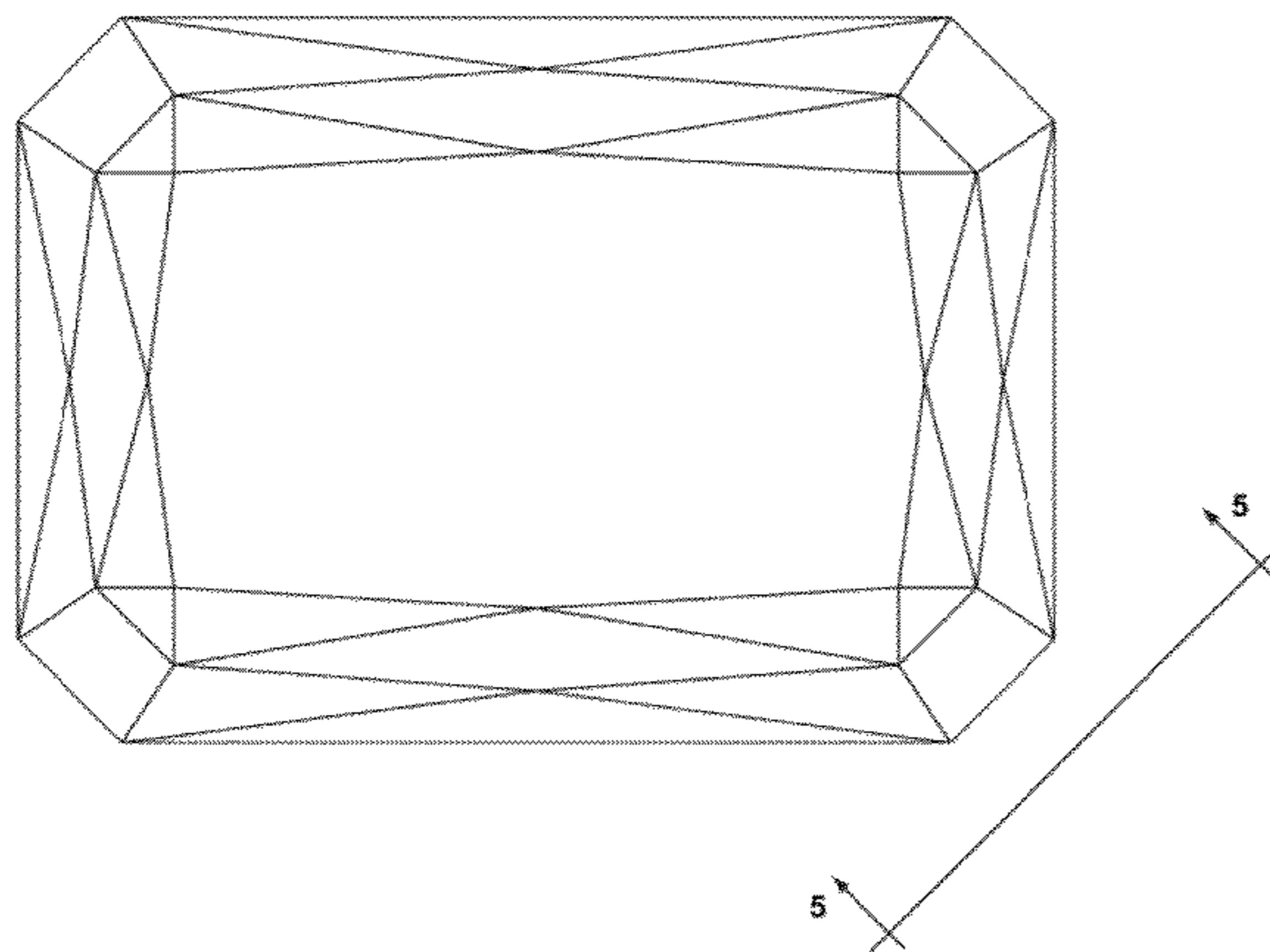
(57) **CLAIM**

The ornamental design for a gemstone, as shown and described.

DESCRIPTION

FIG. 1 is a top view of an exemplary gemstone;
FIG. 2 is a bottom view of the exemplary gemstone;
FIG. 3 illustrates front and back views of the exemplary gemstone;
FIG. 4 illustrates front/left and rear/right corner views of the exemplary gemstone;
FIG. 5 illustrates an oblique view, viewed from line 5-5 in FIG. 1 of the exemplary gemstone; and,
FIG. 6 is an upper perspective view of the exemplary gemstone.

1 Claim, 4 Drawing Sheets



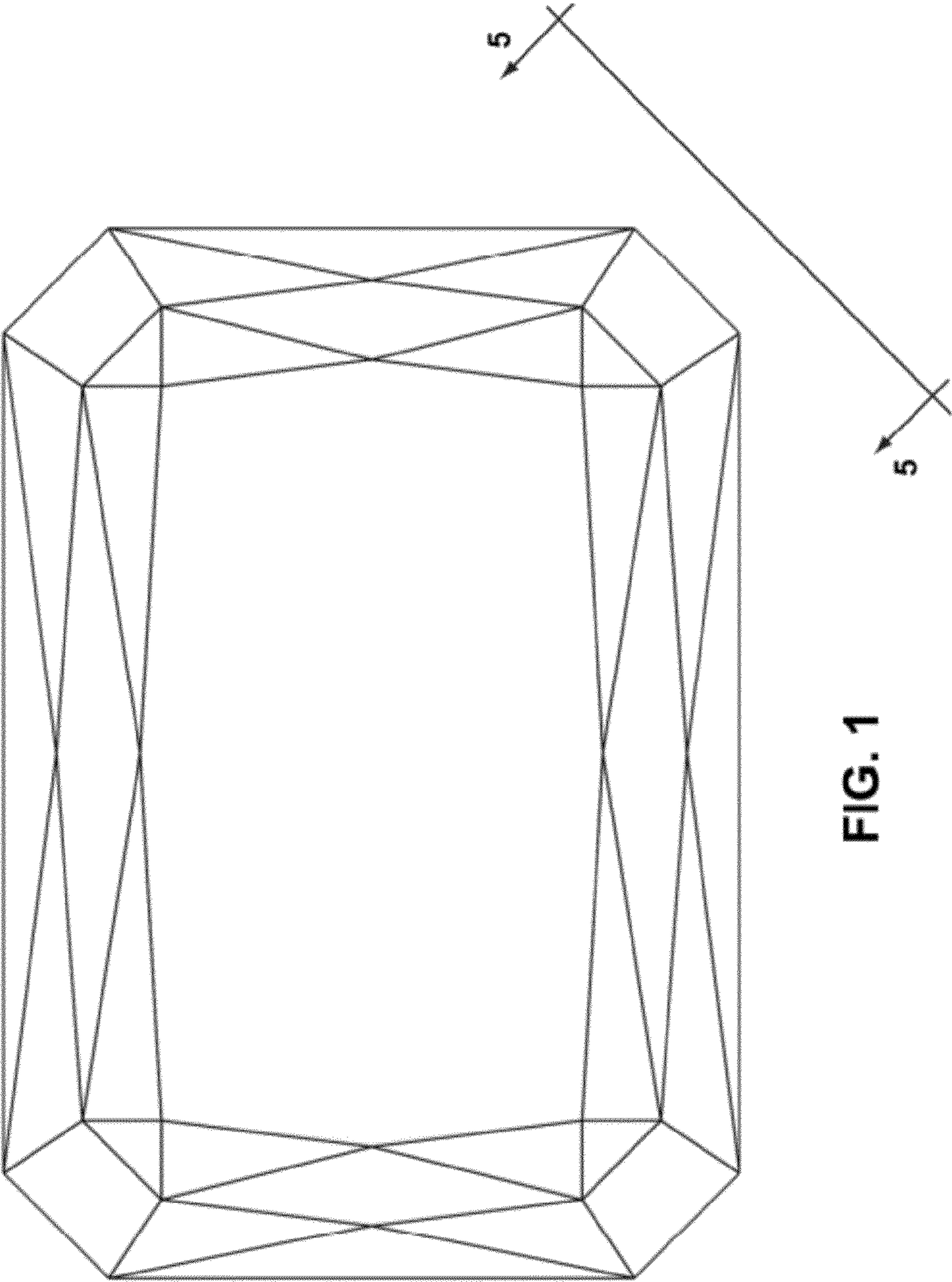


FIG. 1

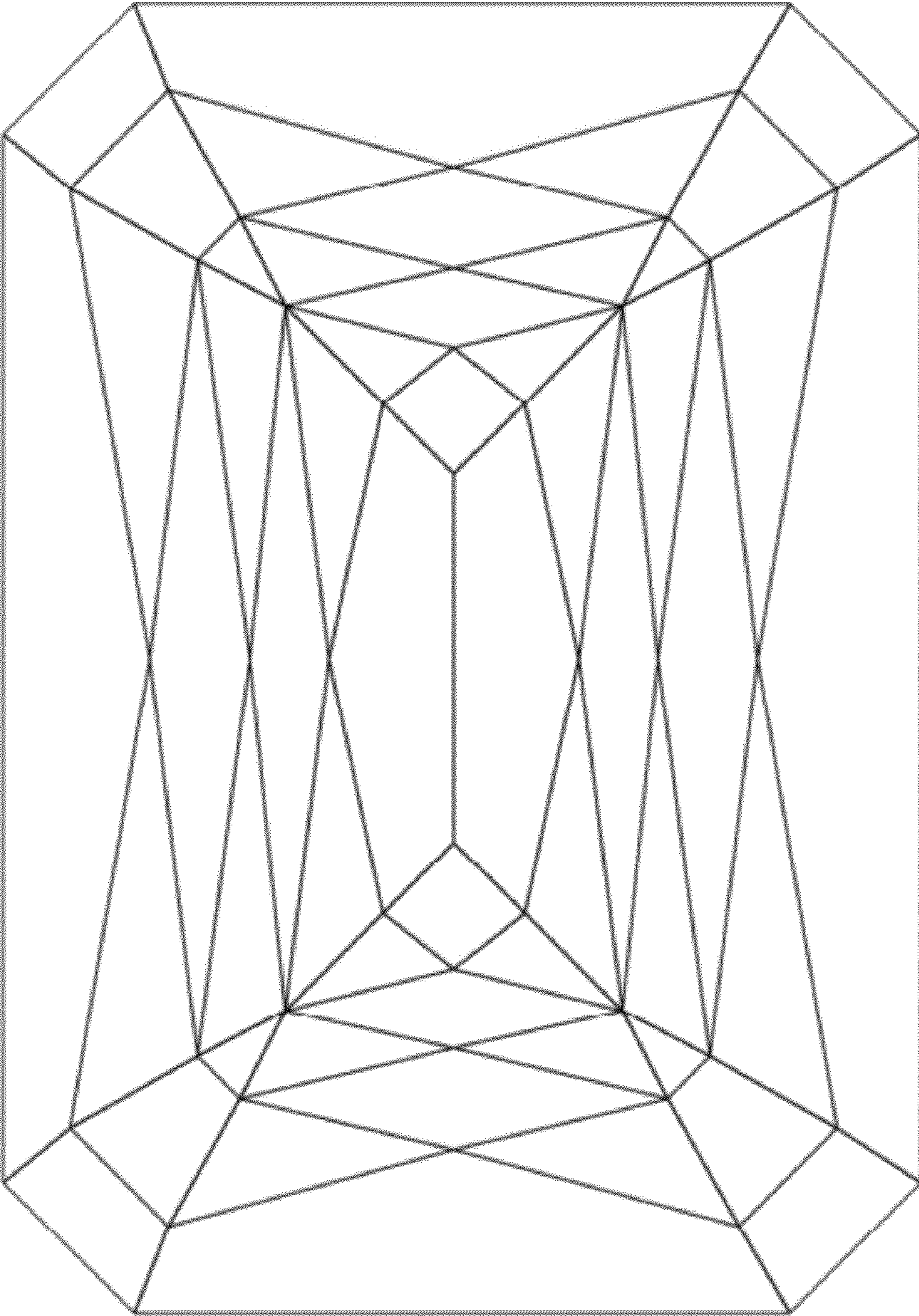


FIG. 2

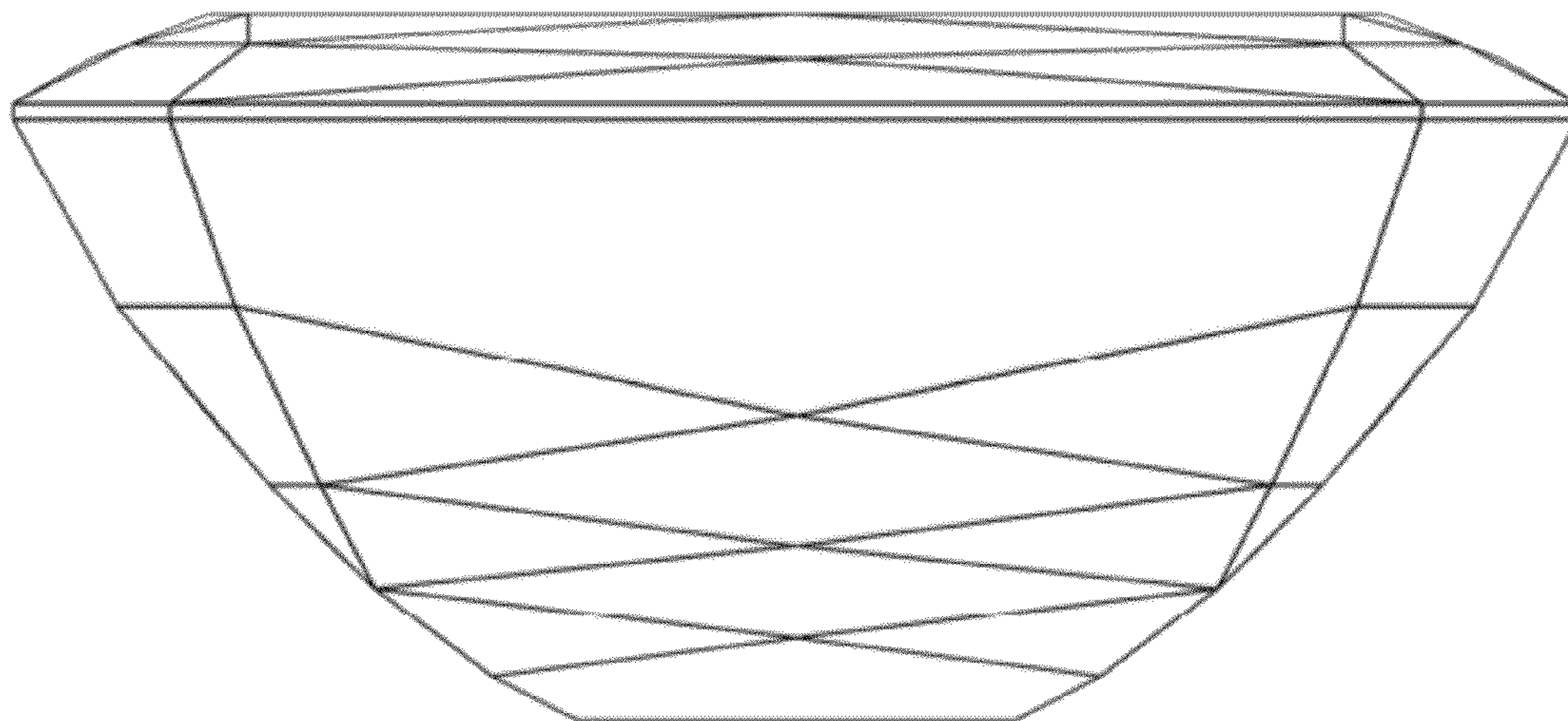


FIG. 3

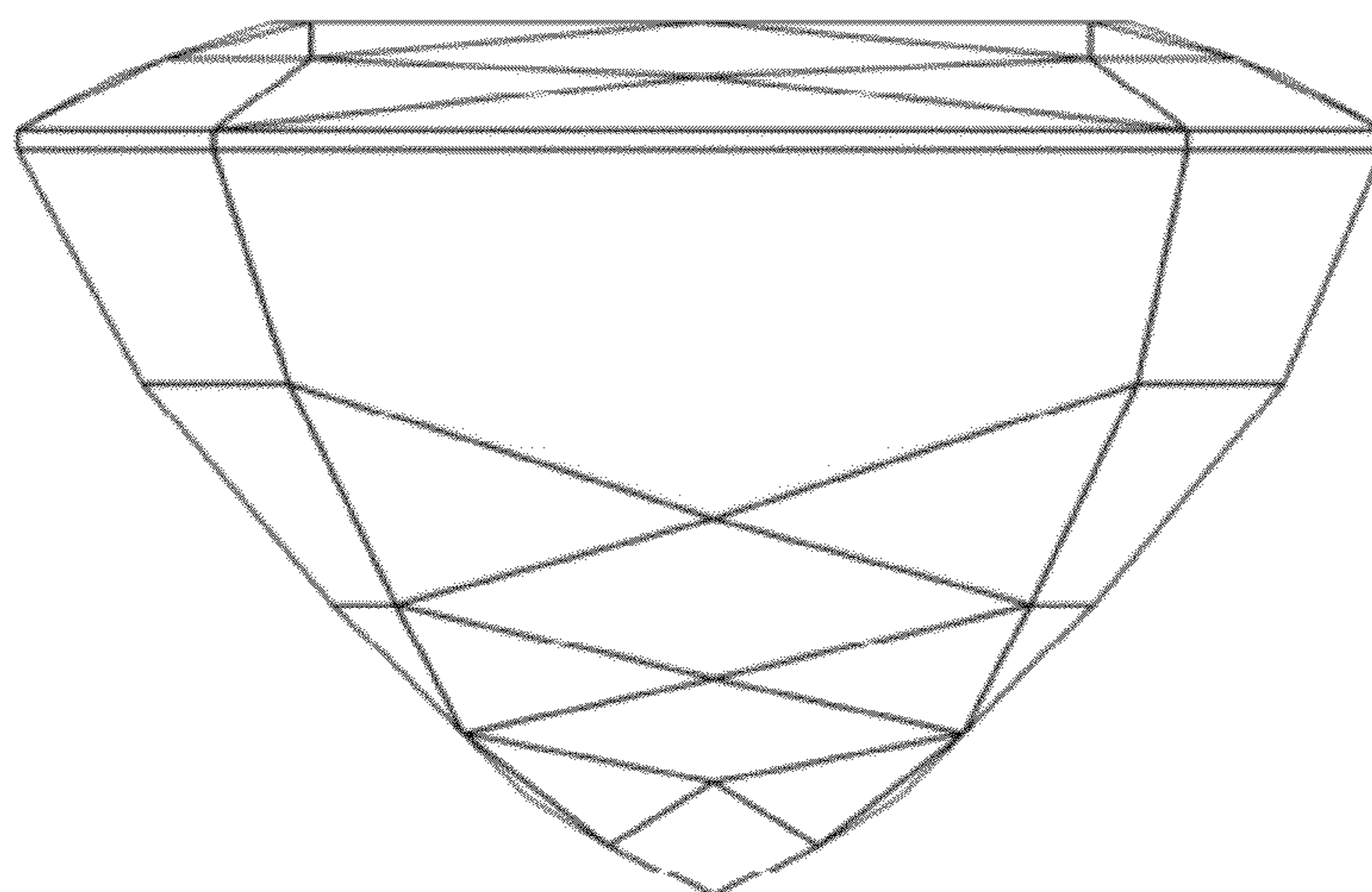


FIG. 4

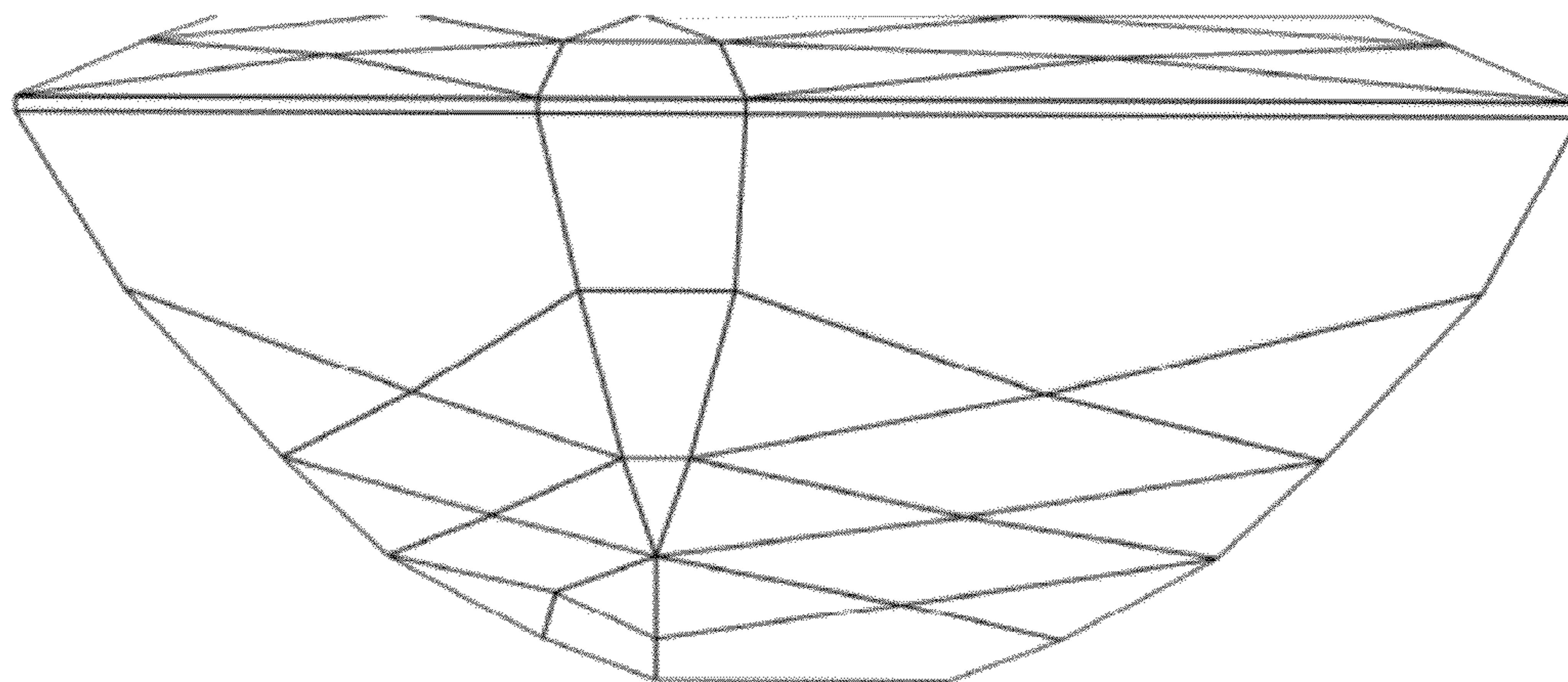


FIG. 5

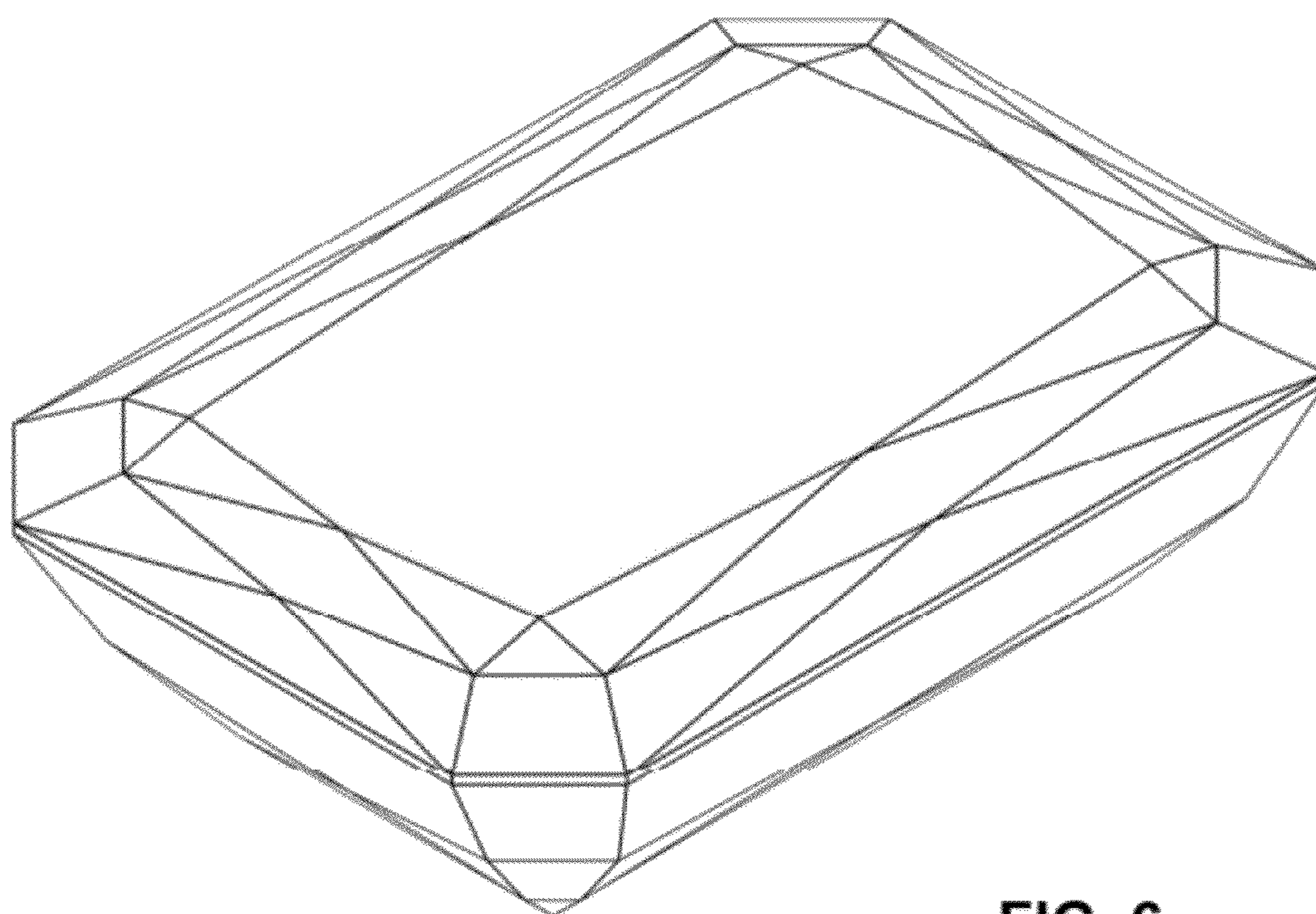


FIG. 6