



US00D674310S

(12) **United States Design Patent**
Armstrong

(10) **Patent No.:** **US D674,310 S**
(45) **Date of Patent:** **** Jan. 15, 2013**

(54) **WATCH CASE**

(75) **Inventor:** **Daniel Armstrong**, Fort Thomas, KY
(US)

(73) **Assignee:** **Timex Group USA, Inc.**, Middlebury,
CT (US)

(**) **Term:** **14 Years**

(21) **Appl. No.:** **29/428,226**

(22) **Filed:** **Jul. 27, 2012**

Related U.S. Application Data

(62) Division of application No. 29/412,349, filed on Feb.
2, 2012, now Pat. No. Des. 671,845.

(51) **LOC (9) Cl.** **10-07**

(52) **U.S. Cl.** **D10/128; D10/131; D10/132**

(58) **Field of Classification Search** **D10/30-39,**
D10/122-132; 368/276, 281, 282, 283, 286,
368/319, 308, 288, 289, 290

See application file for complete search history.

(56) **References Cited**

U.S. PATENT DOCUMENTS

D202,061	S	8/1965	Montese-Caruso	
3,395,531	A	8/1968	Caprara	
D225,124	S	11/1972	Osawa	
4,218,873	A	8/1980	Lang	
4,390,288	A	6/1983	Arnoux	
4,620,798	A	11/1986	Scarinzi	
D304,305	S	10/1989	Morishima	
D313,941	S	1/1991	Wakamatsu	
D375,053	S	* 10/1996	Voegeli	D10/30
D386,095	S	* 11/1997	Perrin et al.	D10/39
D398,860	S	* 9/1998	Paredes et al.	D10/30
D400,110	S	* 10/1998	Polenberg	D10/39
5,838,642	A	11/1998	Tully	
6,158,884	A	12/2000	Lebby et al.	
D444,715	S	* 7/2001	Gueit	D10/32
D464,273	S	* 10/2002	Nussbaum	D10/30
D470,777	S	* 2/2003	Ramazzina	D10/30

D473,801	S	* 4/2003	Monachon	D10/32
D473,803	S	4/2003	D'Origny	
6,779,917	B1	8/2004	Chappuis	
D497,558	S	* 10/2004	Lalo	D10/30
D497,811	S	* 11/2004	Modolo	D10/32
D537,371	S	* 2/2007	Belamich	D10/39
D558,067	S	12/2007	Carbonatto	
D569,742	S	* 5/2008	Scheufele	D10/39
D573,487	S	* 7/2008	Sanz	D10/39
D576,892	S	* 9/2008	Gruosi	D10/38
D577,611	S	9/2008	Lalo	
D582,295	S	* 12/2008	Schoepfer	D10/38
D586,242	S	2/2009	Schoepfer	
D598,304	S	8/2009	Belamich	
D600,140	S	9/2009	Giannini	
D610,025	S	2/2010	Jarvis	
D611,844	S	3/2010	Furetta	

(Continued)

OTHER PUBLICATIONS

<http://www.dunhill.com/en-us/shoponline/lighters—Turbo> Dia-
mond Pattern Lighter.

(Continued)

Primary Examiner — Lucy Lieberman

(74) *Attorney, Agent, or Firm* — Carmody & Torrance LLP

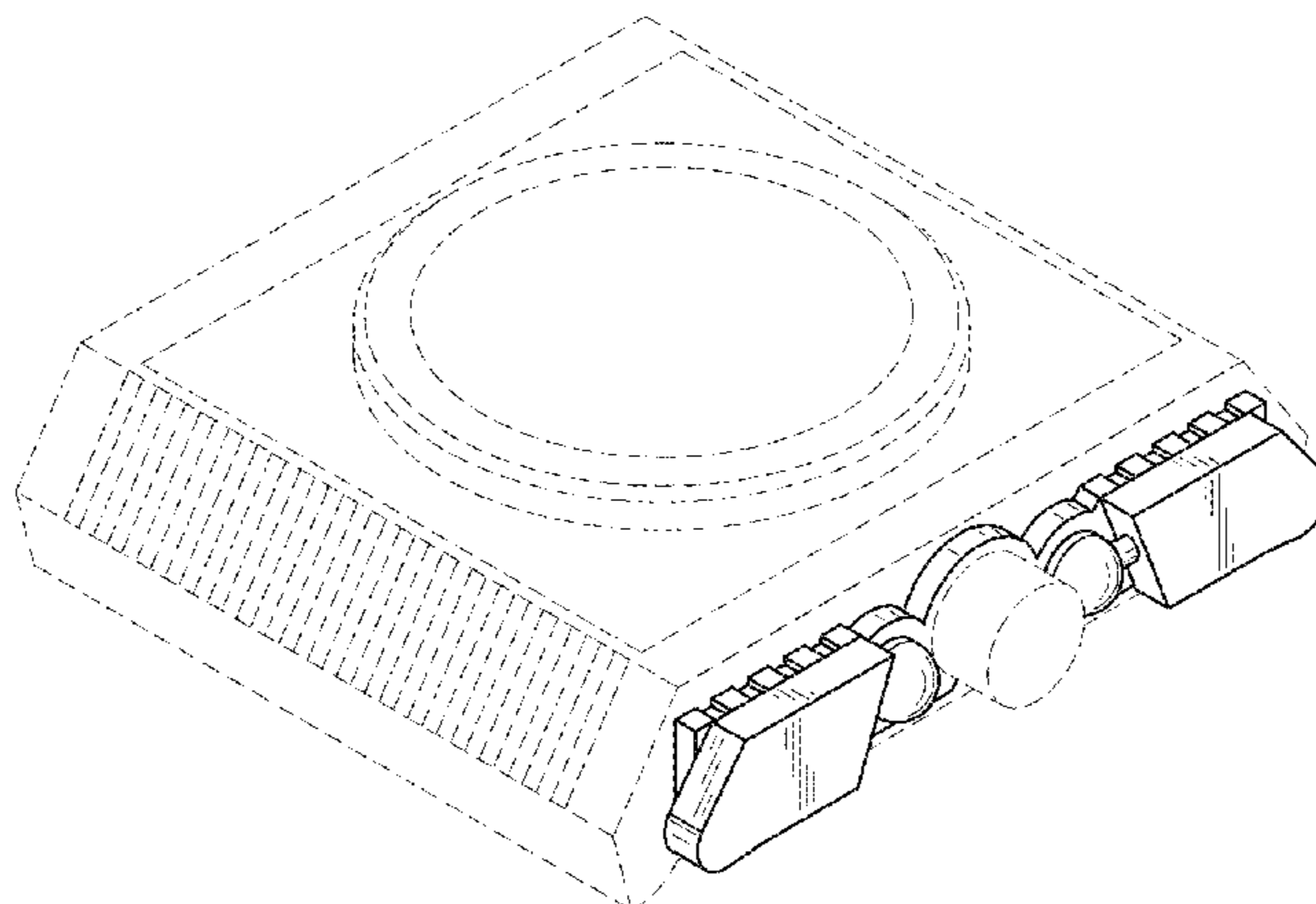
(57) **CLAIM**

The ornamental design for a watch case, as shown and
described.

DESCRIPTION

FIG. 1 is a perspective view of a watch case showing my new
design;
FIG. 2 is a right side elevational view thereof;
FIG. 3 is a first end elevational view thereof;
FIG. 4 is a second end elevational view thereof;
FIG. 5 is a top plan view thereof; and,
FIG. 6 is a bottom plan view thereof.
The broken lines in the drawings are used to show portions of
the watch case that do not form part of the claimed design.

1 Claim, 2 Drawing Sheets



US D674,310 S

Page 2

U.S. PATENT DOCUMENTS

D616,783 S * 6/2010 Chastaingt D10/128
D621,284 S * 8/2010 Cerrato D10/38
D622,166 S 8/2010 Monachon
D629,706 S * 12/2010 Furetta D10/32
D634,650 S 3/2011 Avranches
D636,687 S 4/2011 Morrison
D645,364 S 9/2011 Duport
D648,229 S * 11/2011 Moritz D10/38
D650,709 S 12/2011 Duport

OTHER PUBLICATIONS

<http://www.dunhill.com/en-us/shoponline/lighters—Rollagas> Ad
Vintage Logo.
<http://watchismo.blogspot.com/2008/11/spaceman-time-continuum-spaceman.html>, pp. 1 and 2 of 12.

* cited by examiner

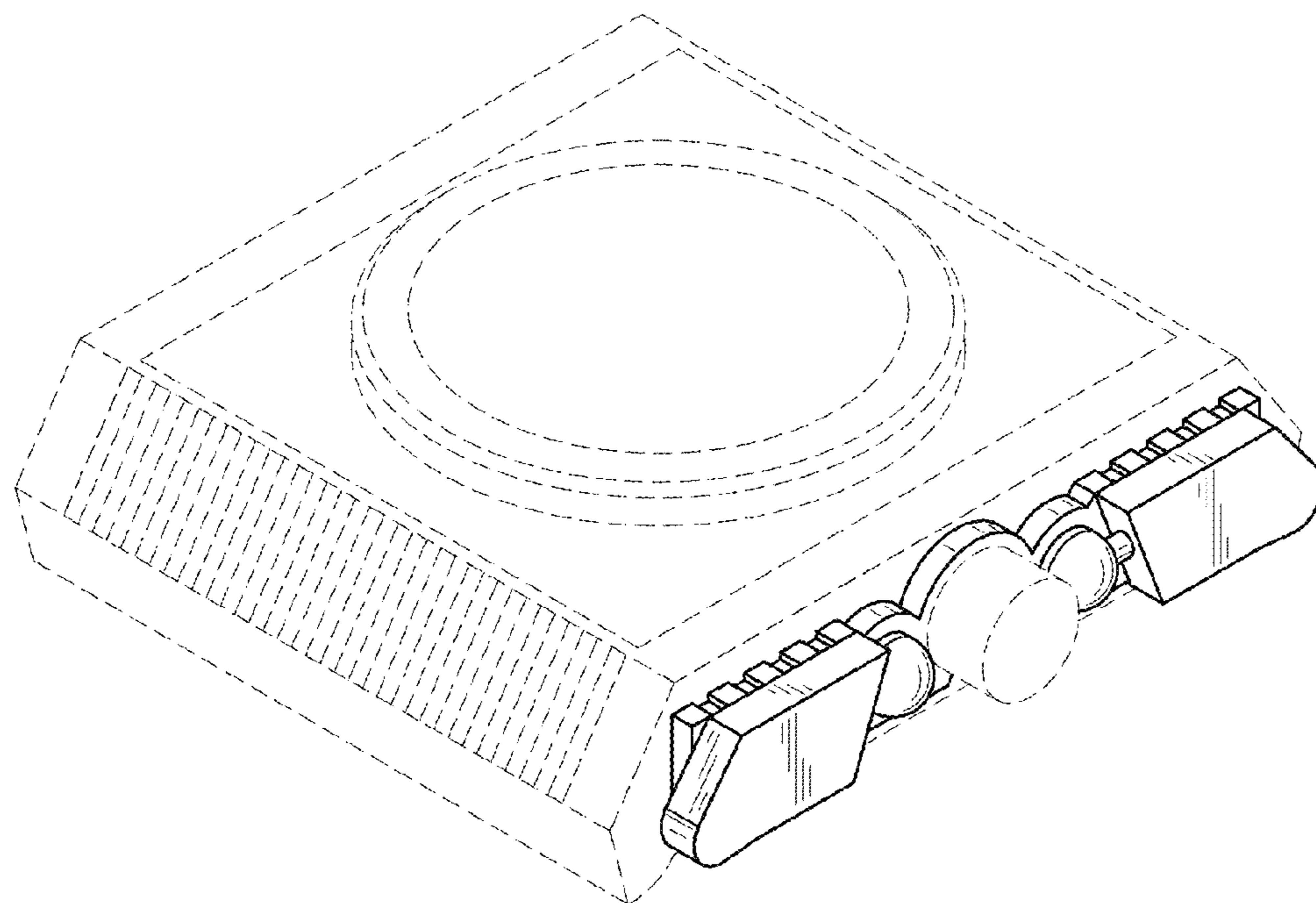


FIG. 1

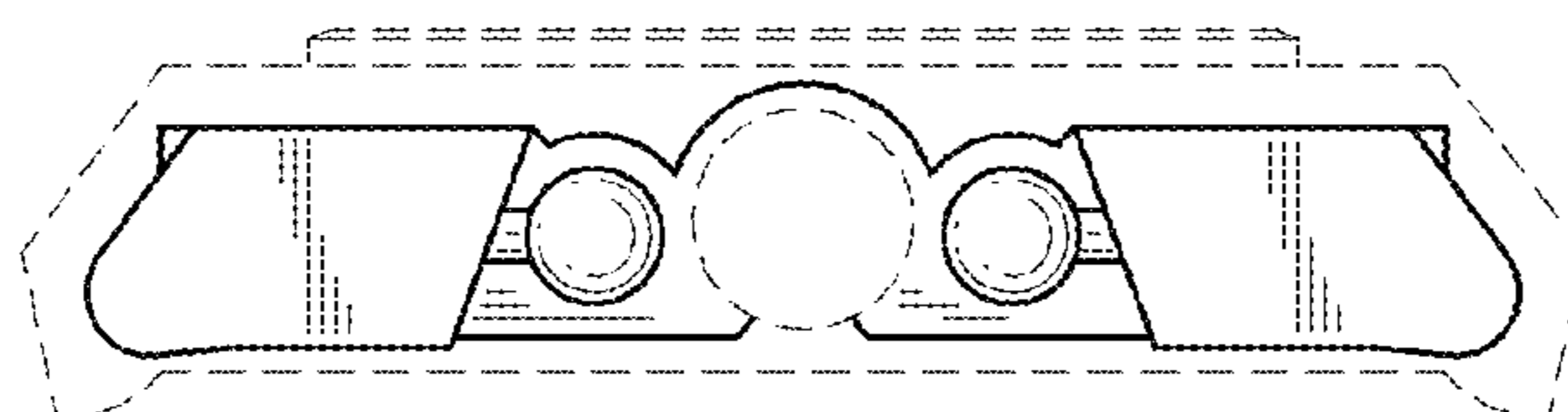


FIG. 2

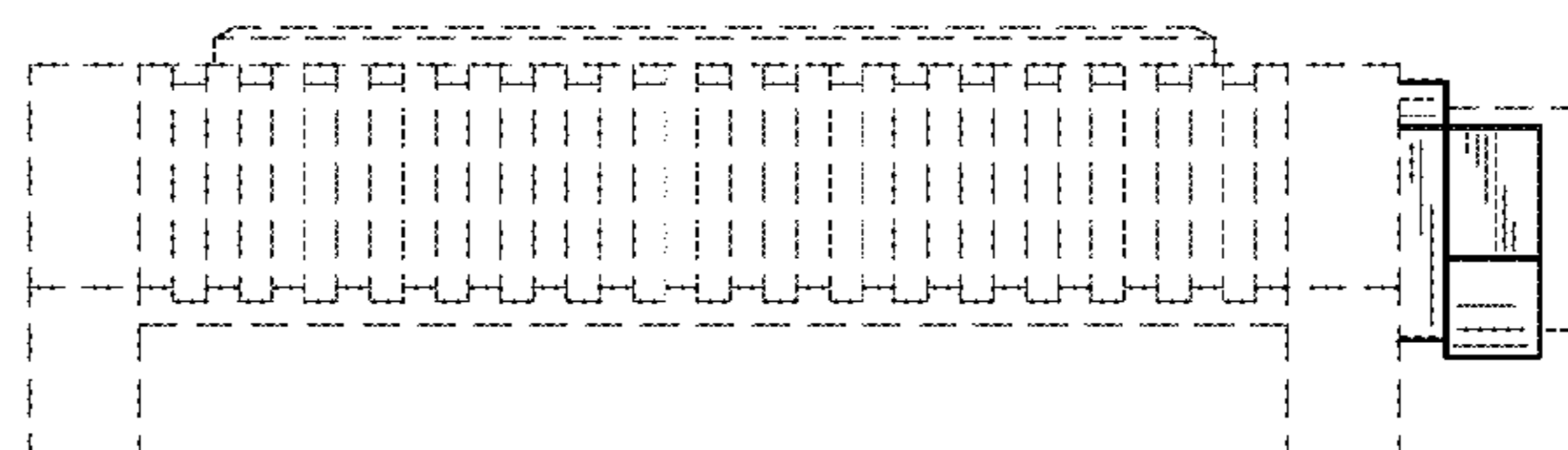


FIG. 3

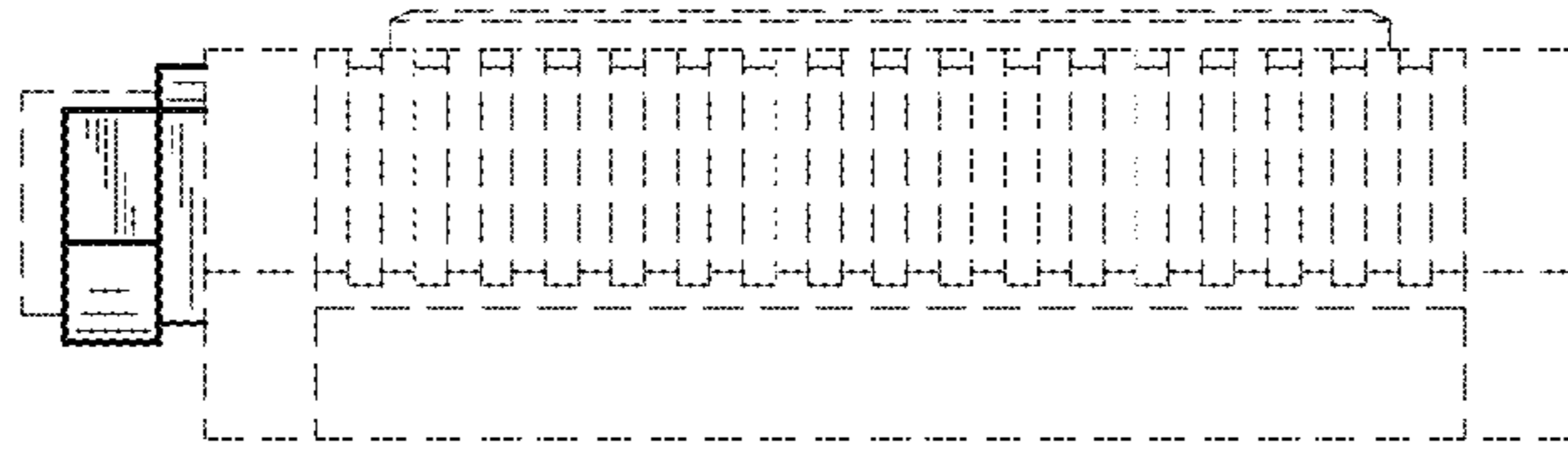


FIG. 4

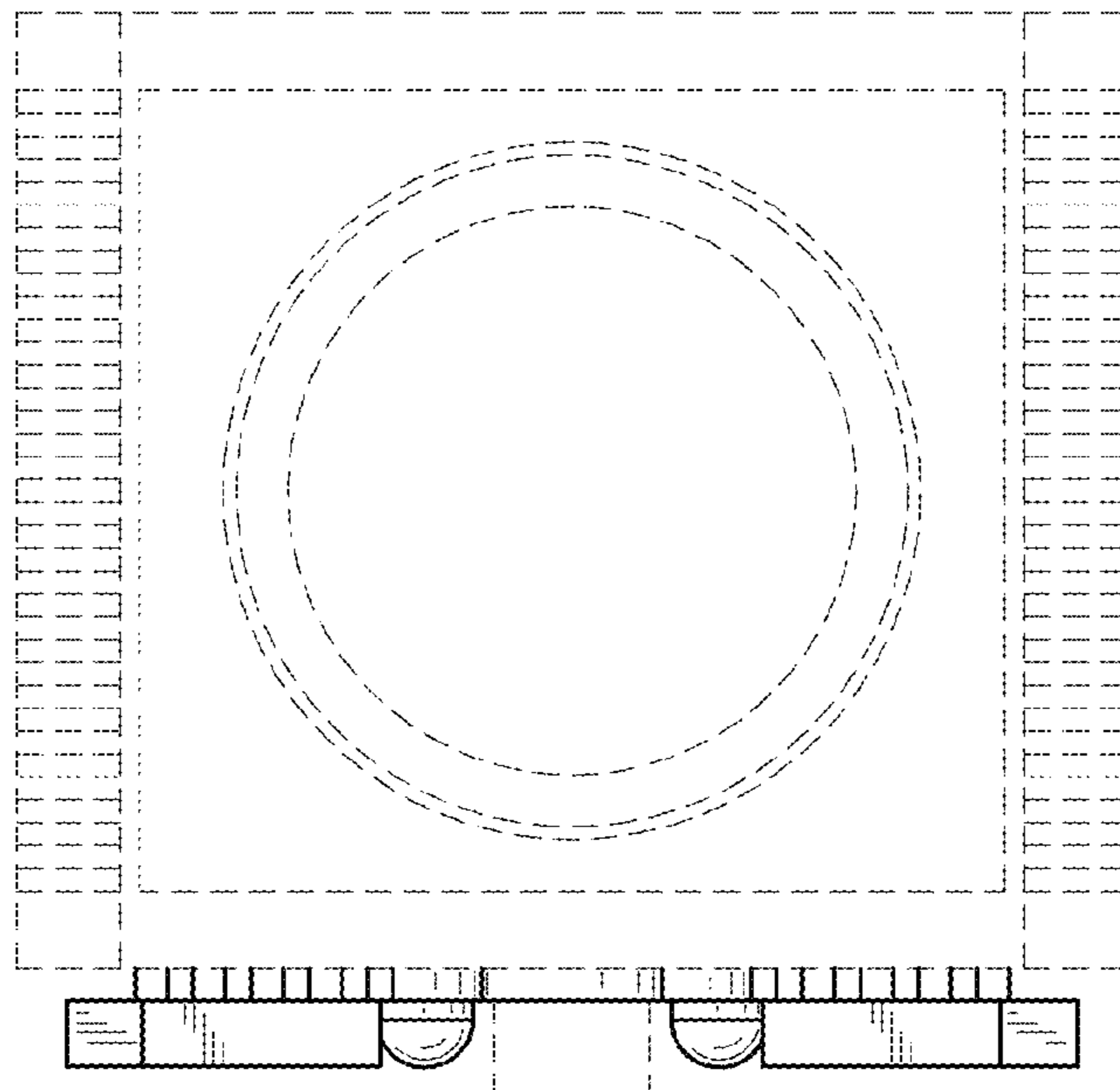


FIG. 5

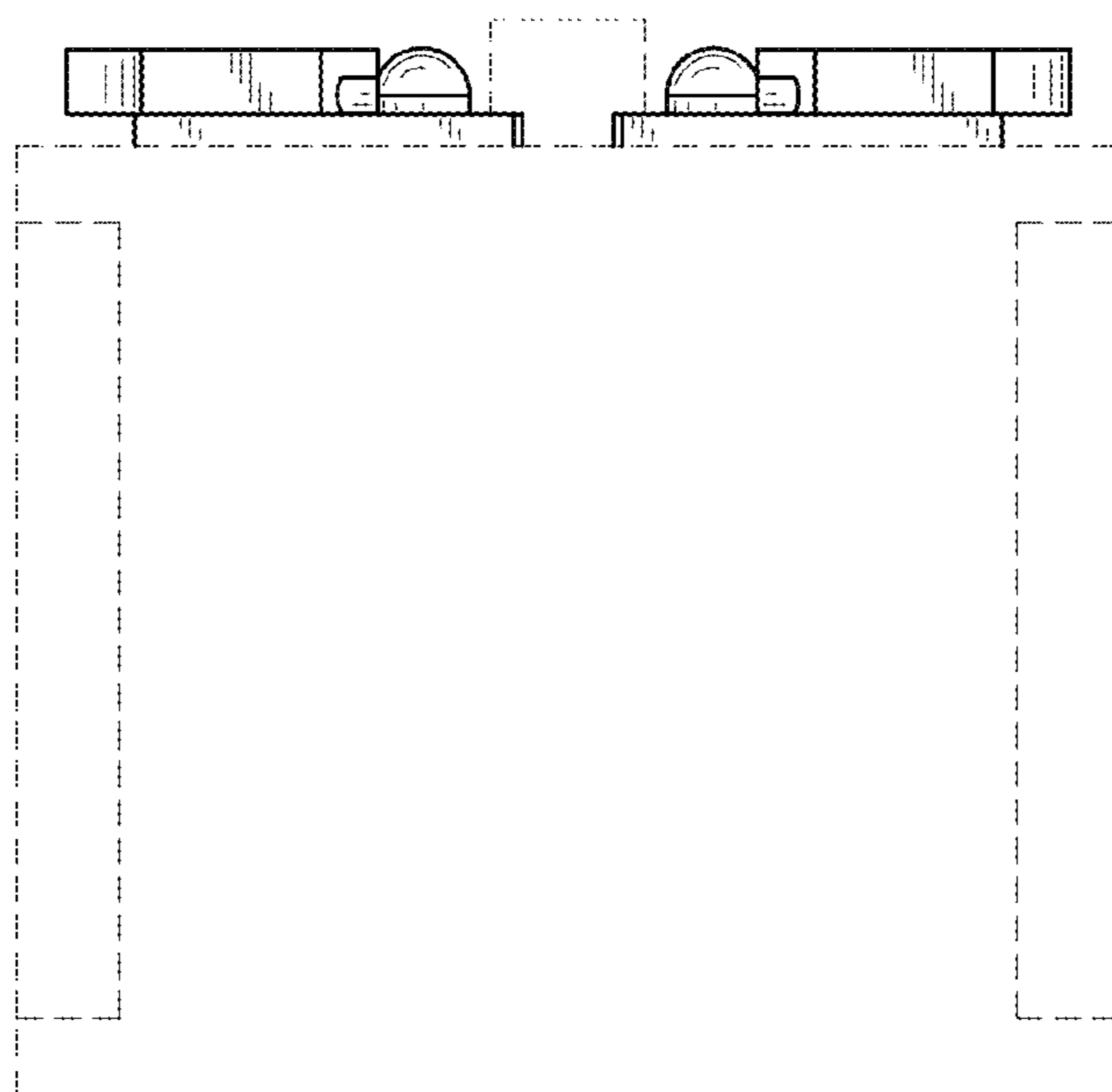


FIG. 6