

US00D674308S

(12) **United States Design Patent**  
**Schuh**

(10) **Patent No.:** **US D674,308 S**

(45) **Date of Patent:** **\*\* Jan. 15, 2013**

(54) **TURKEY BOX CALL**

6,676,479 B1 \* 1/2004 Zimmerman ..... 446/397  
D489,017 S \* 4/2004 Atkinson ..... D10/119.1

(76) Inventor: **Mark Duane Schuh**, Rapid City, SD  
(US)

\* cited by examiner

(\*\*) Term: **14 Years**

*Primary Examiner* — George D Kirschbaum  
(74) *Attorney, Agent, or Firm* — Jeffrey Roddy

(21) Appl. No.: **29/417,373**

(57) **CLAIM**  
The ornamental design for the turkey box call, as shown and described.

(22) Filed: **Apr. 3, 2012**

**DESCRIPTION**

(51) **LOC (9) Cl.** ..... **10-05**

(52) **U.S. Cl.** ..... **D10/119.1**

(58) **Field of Classification Search** ..... D10/119.1,  
D10/119.3; 446/202-209  
See application file for complete search history.

FIG. 1 is a perspective view of a turkey box call showing my new design;  
FIG. 2 is a bottom perspective view thereof;  
FIG. 3 is a side perspective view thereof;  
FIG. 4 is a side plan view thereof;  
FIG. 5 is a second side plan view thereof;  
FIG. 6 is an enlarged view of right corner of the design as seen in FIG. 5 thereof;  
FIG. 7 is an end plan view thereof; and,  
FIG. 8 is a perspective and enlarged view thereof.  
The human hand shown in dashed line is for environmental illustration and scaling purposes in order to show the relative size of the elements, and forms no part of the claimed design.

(56) **References Cited**

**U.S. PATENT DOCUMENTS**

3,129,527 A \* 4/1964 Williams ..... 446/69  
4,648,852 A \* 3/1987 Wingate ..... 446/397  
5,066,260 A \* 11/1991 Lindler ..... 446/397  
D418,772 S \* 1/2000 Eubanks ..... D10/119.2

**1 Claim, 4 Drawing Sheets**

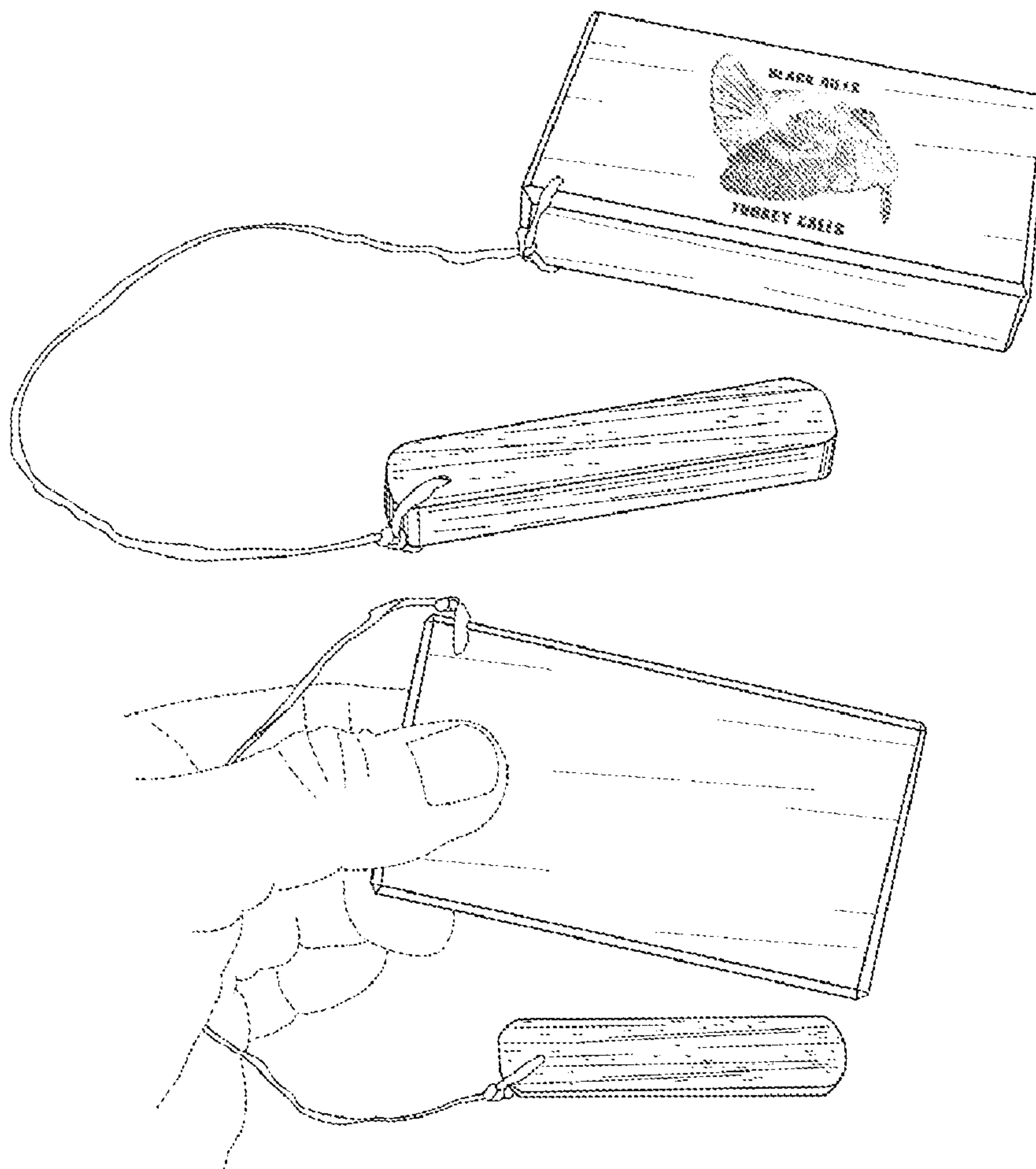


FIG. 1

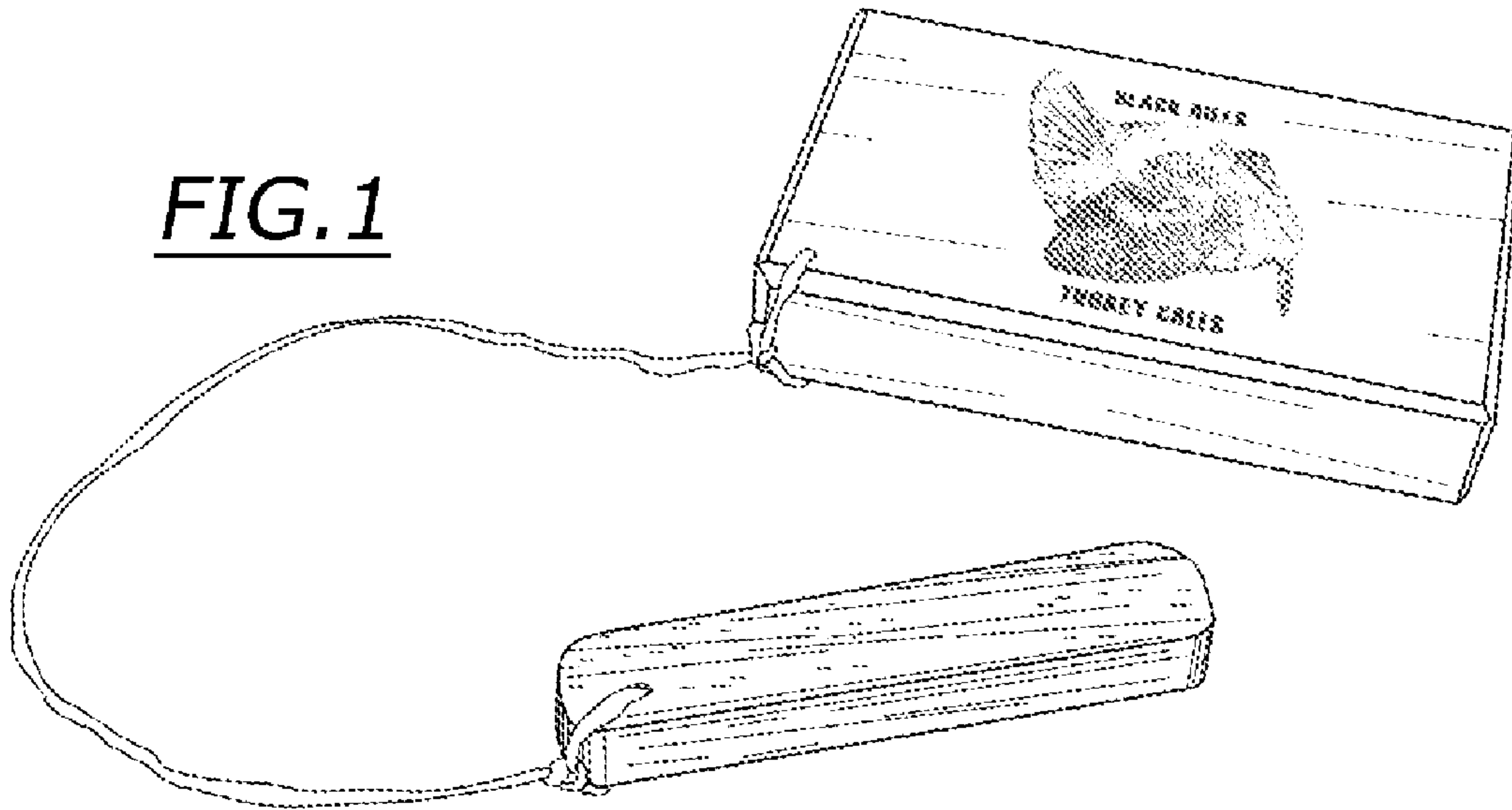


FIG. 2

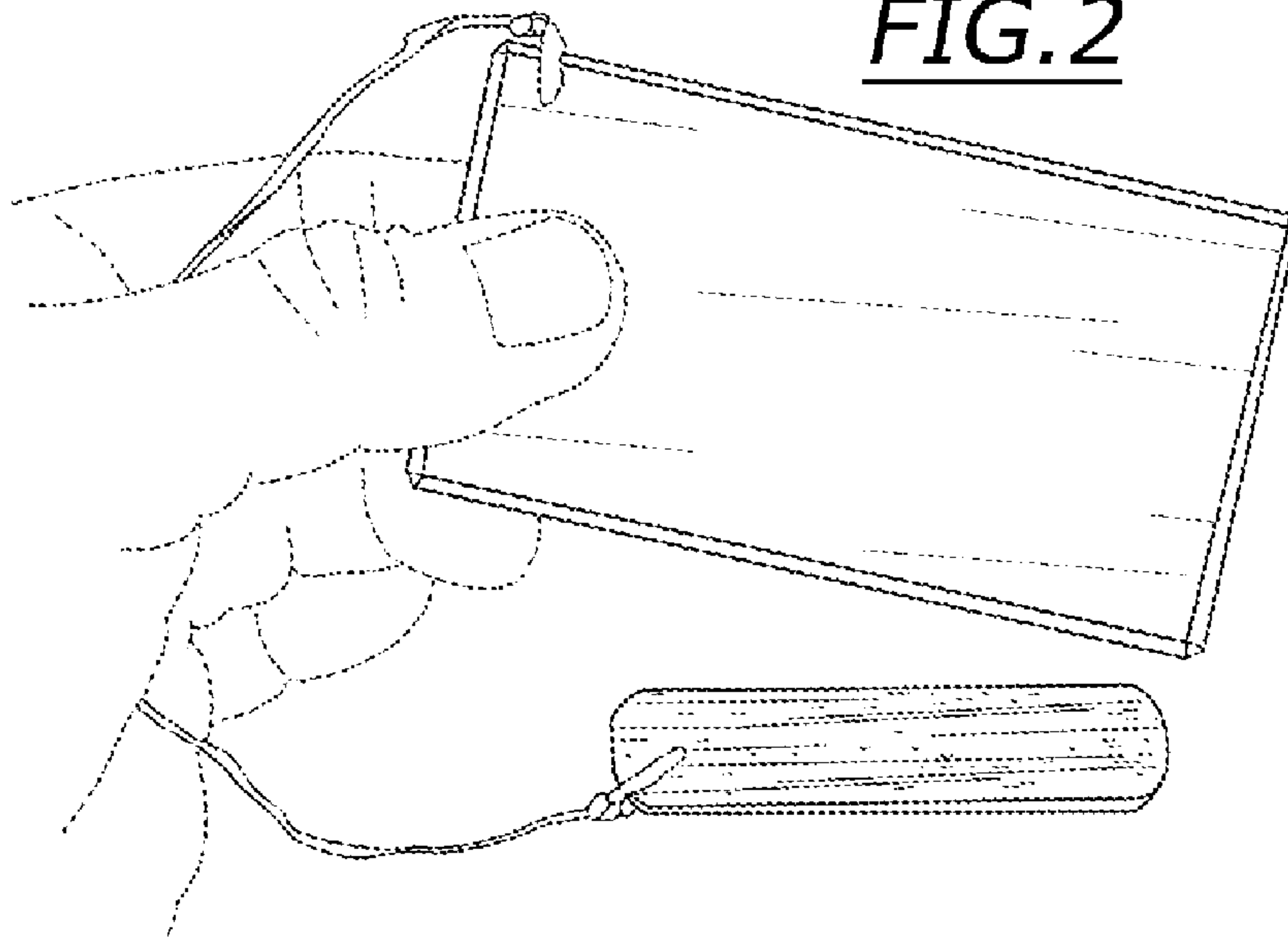


FIG. 3

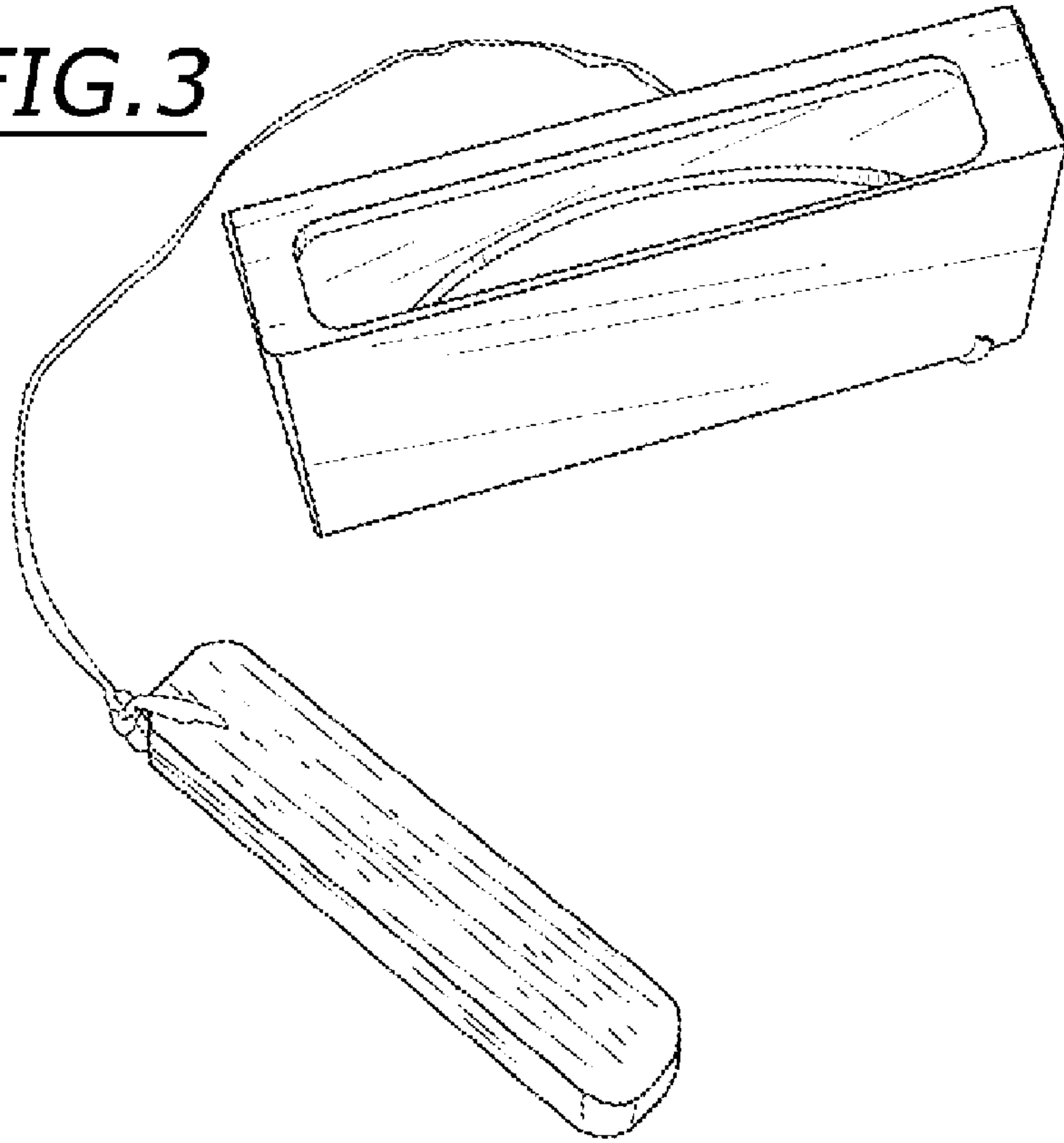
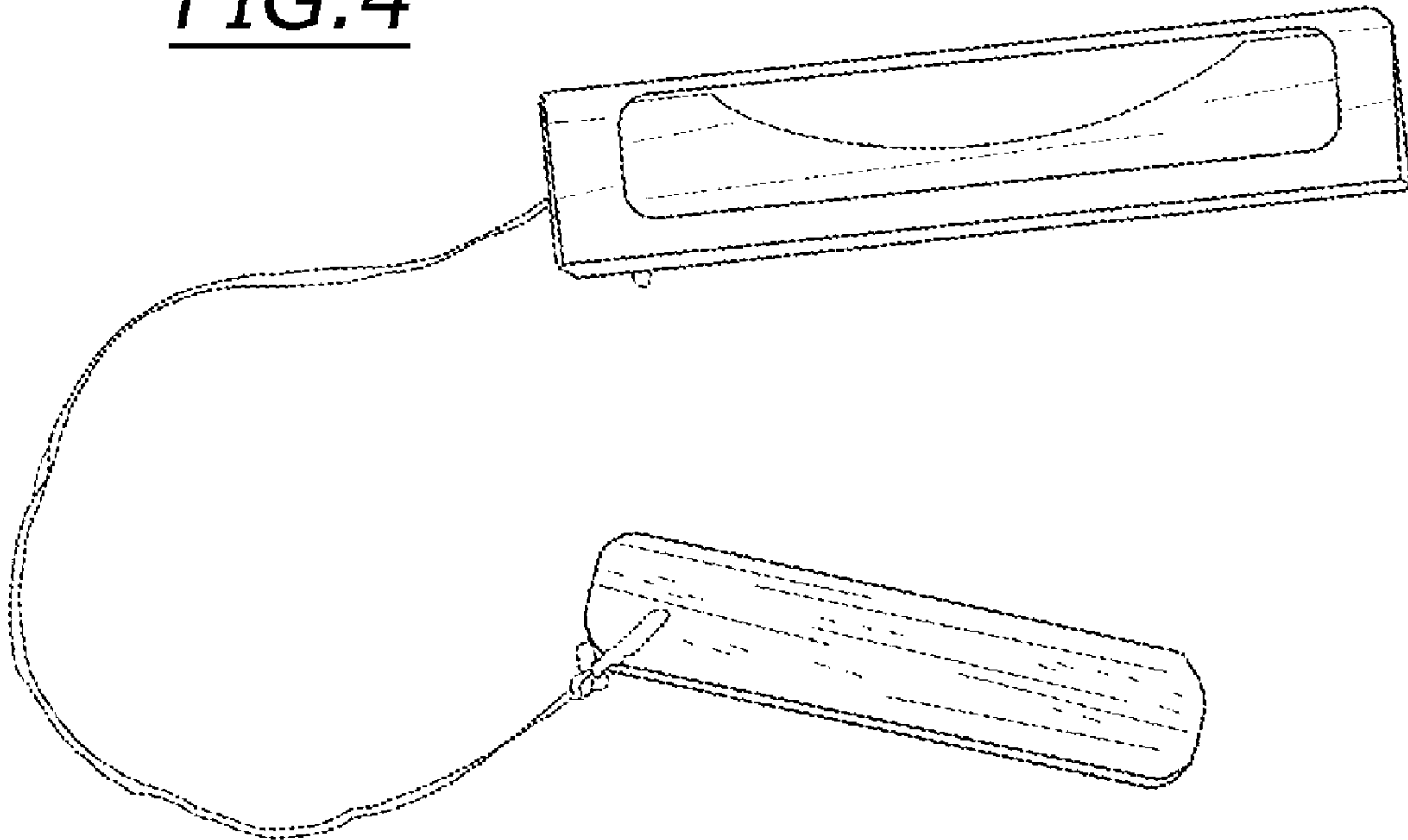


FIG. 4



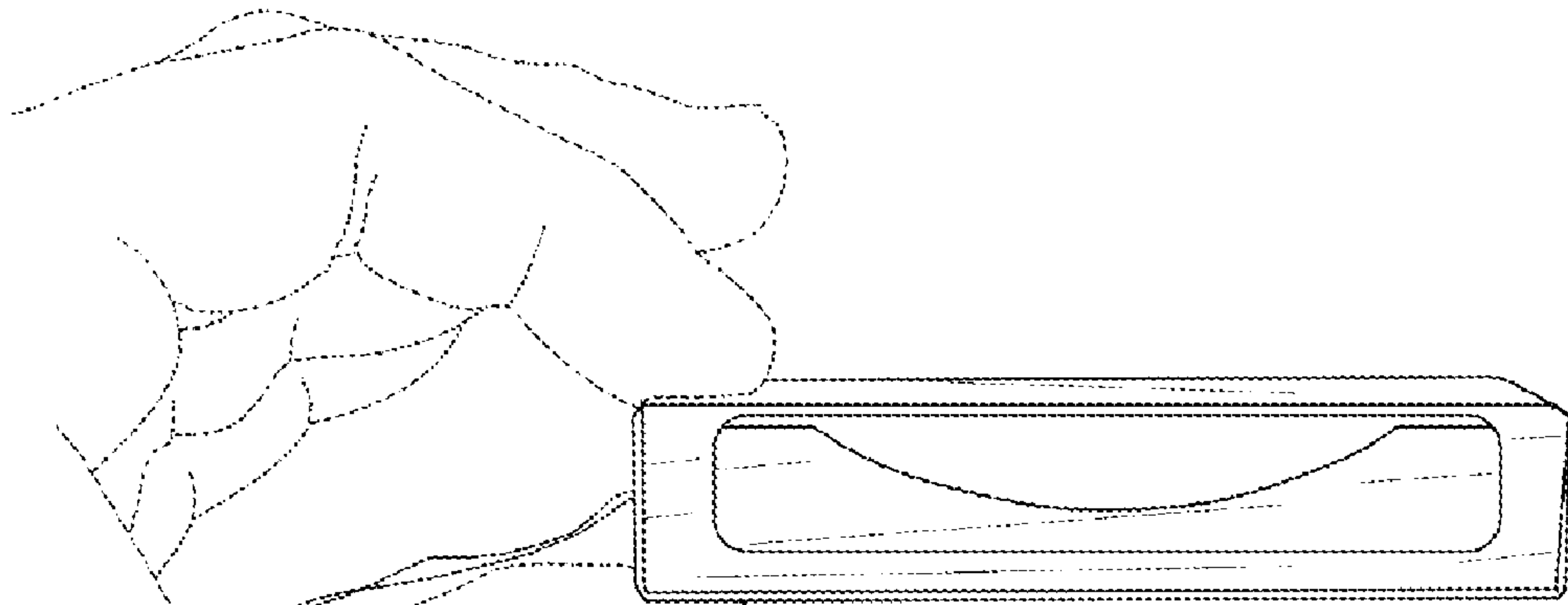


FIG. 5

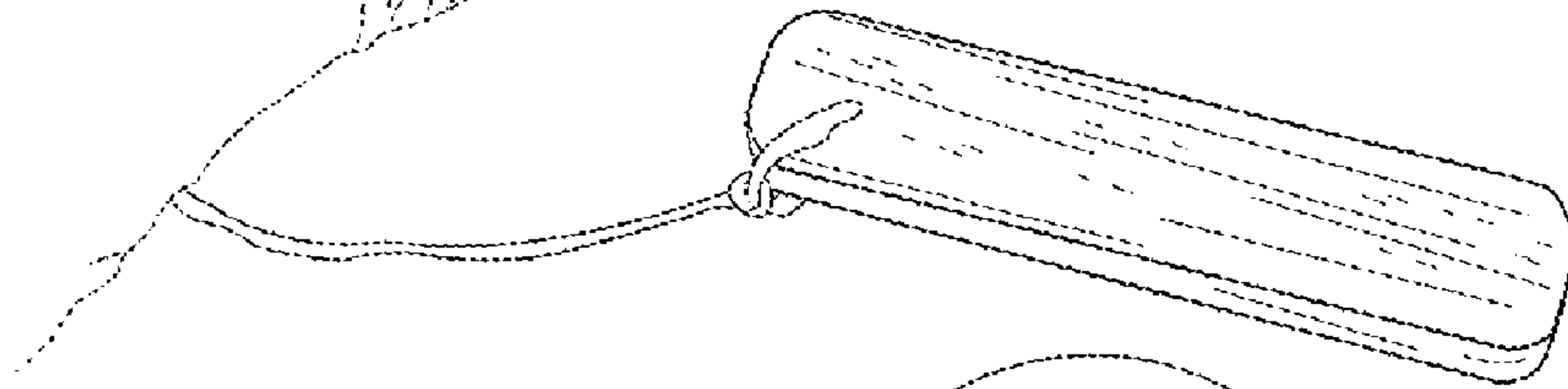


FIG. 6

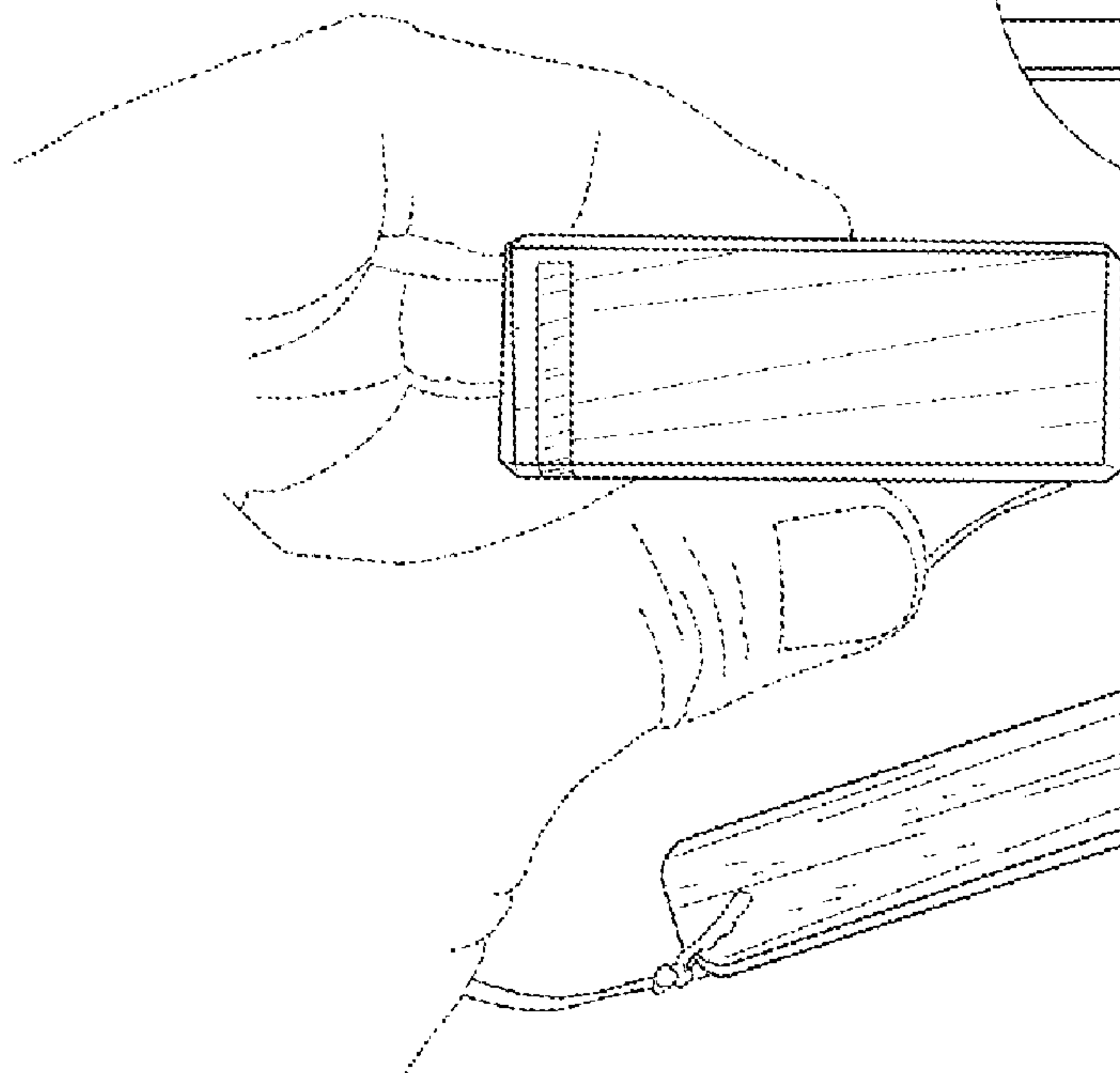
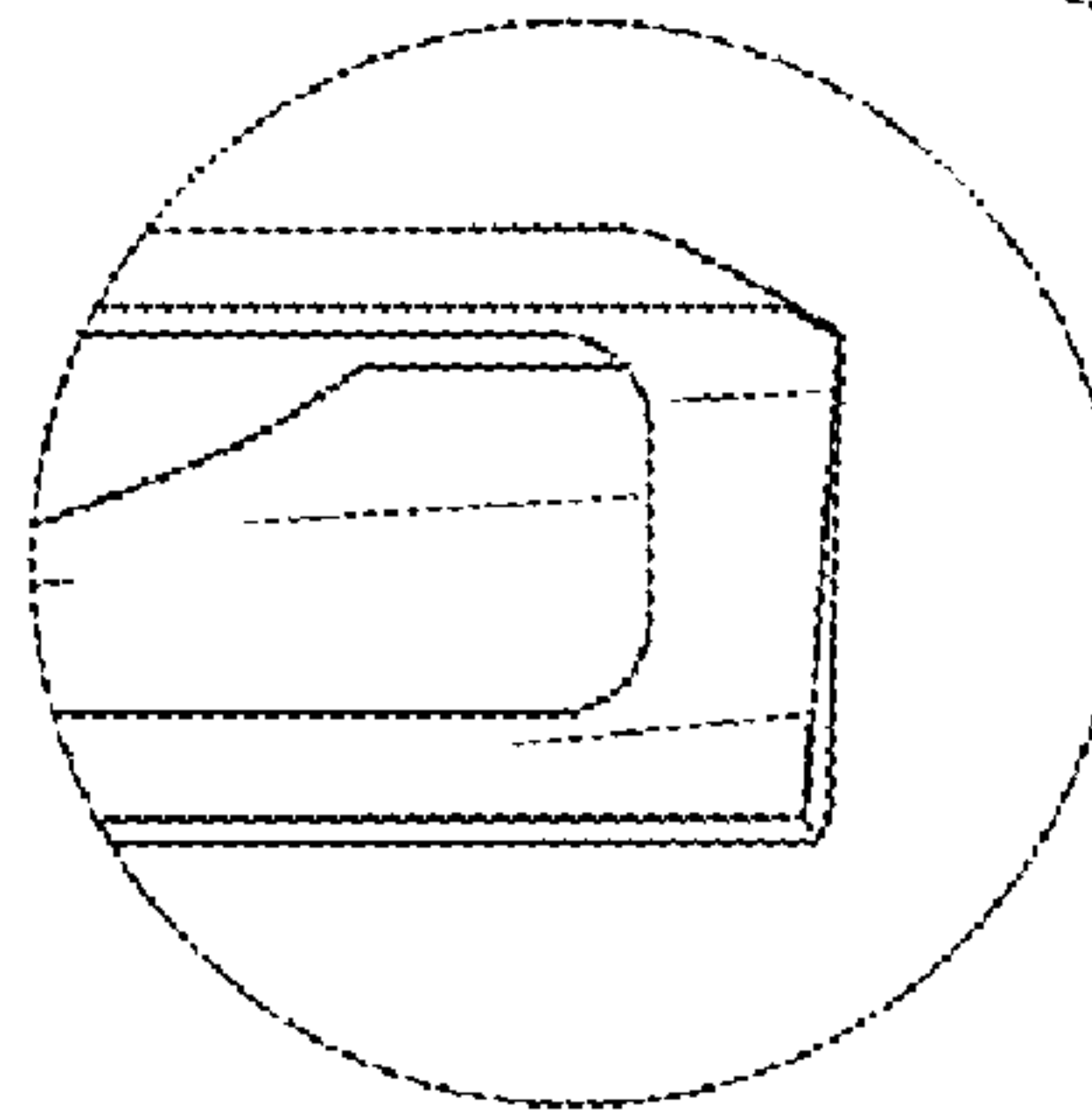


FIG. 7

FIG. 8

