



US00D674304S

(12) **United States Design Patent**
Wang

(10) **Patent No.:** **US D674,304 S**

(45) **Date of Patent:** **** Jan. 15, 2013**

(54) **DROP DETECTOR**

(75) Inventor: **Mu-Jen Wang**, New Taipei (TW)

(73) Assignee: **Kaiser Technology Co., Ltd.**, New Taipei (TW)

(**) Term: **14 Years**

(21) Appl. No.: **29/393,303**

(22) Filed: **Jun. 2, 2011**

(51) **LOC (9) Cl.** **10-04**

(52) **U.S. Cl.** **D10/97**

(58) **Field of Classification Search** D10/101,
D10/70, 97; D24/129; 73/12.06, 861.41;
128/DIG. 13; 250/573, 574; 340/540, 545.5,
340/606, 665; 347/9, 14, 19, 22, 33, 35;
374/163, 166; 604/246, 251, 253

See application file for complete search history.

(56) **References Cited**

U.S. PATENT DOCUMENTS

D494,484 S * 8/2004 Bhavnani D10/70
D545,700 S * 7/2007 Man D10/70

* cited by examiner

Primary Examiner — Antoine D Davis

(74) *Attorney, Agent, or Firm* — Whyte Hirschboeck Dudek SC

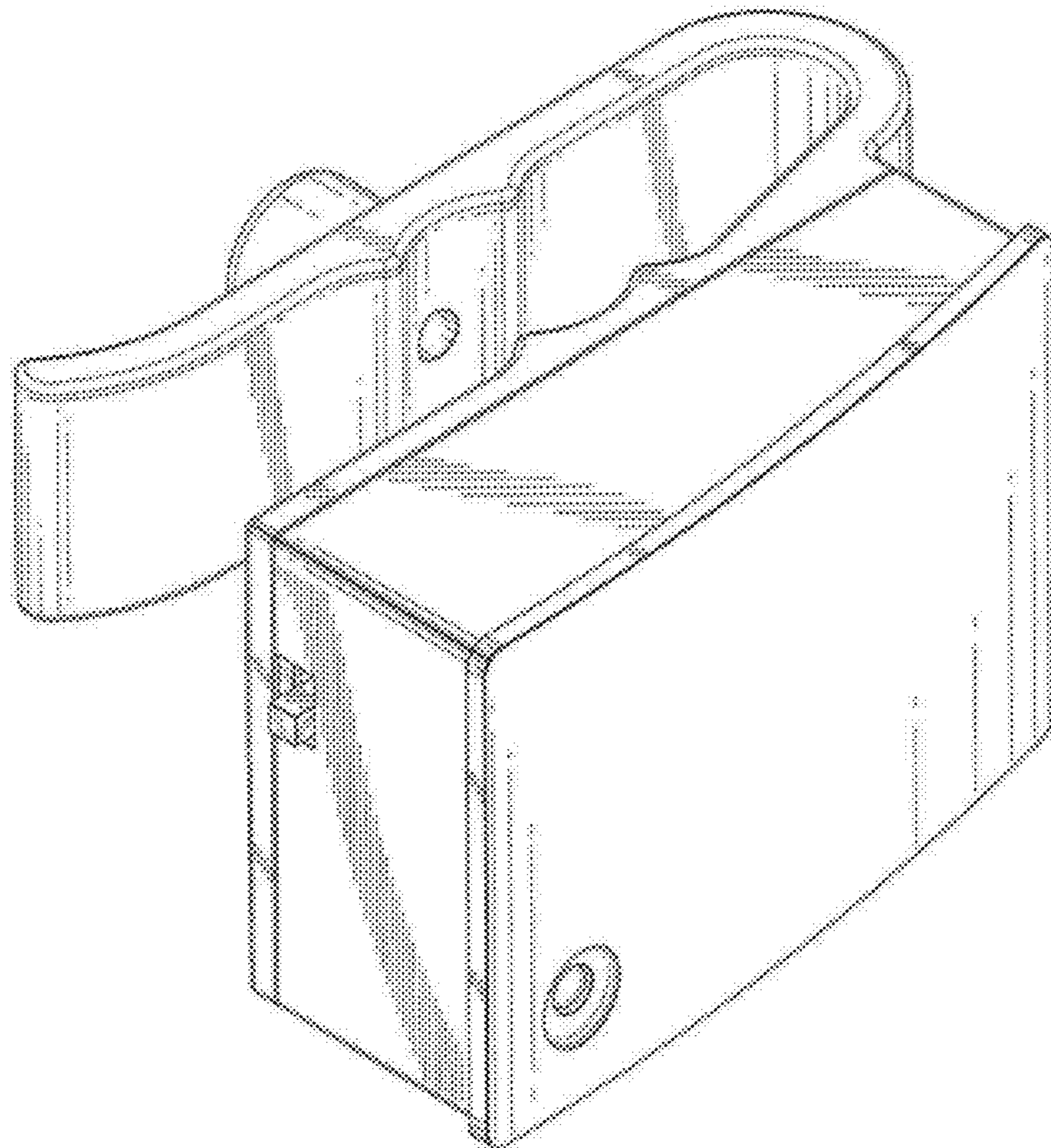
(57) **CLAIM**

The ornamental design for drop detector, as shown and described.

DESCRIPTION

FIG. 1 is a perspective view of drop detector showing my new design;
FIG. 2 is a front elevational view thereof;
FIG. 3 is a rear elevational view thereof;
FIG. 4 is a left side elevational view thereof;
FIG. 5 is a right side elevational view thereof;
FIG. 6 is a top plan view thereof; and,
FIG. 7 is a bottom plan view thereof.

1 Claim, 7 Drawing Sheets



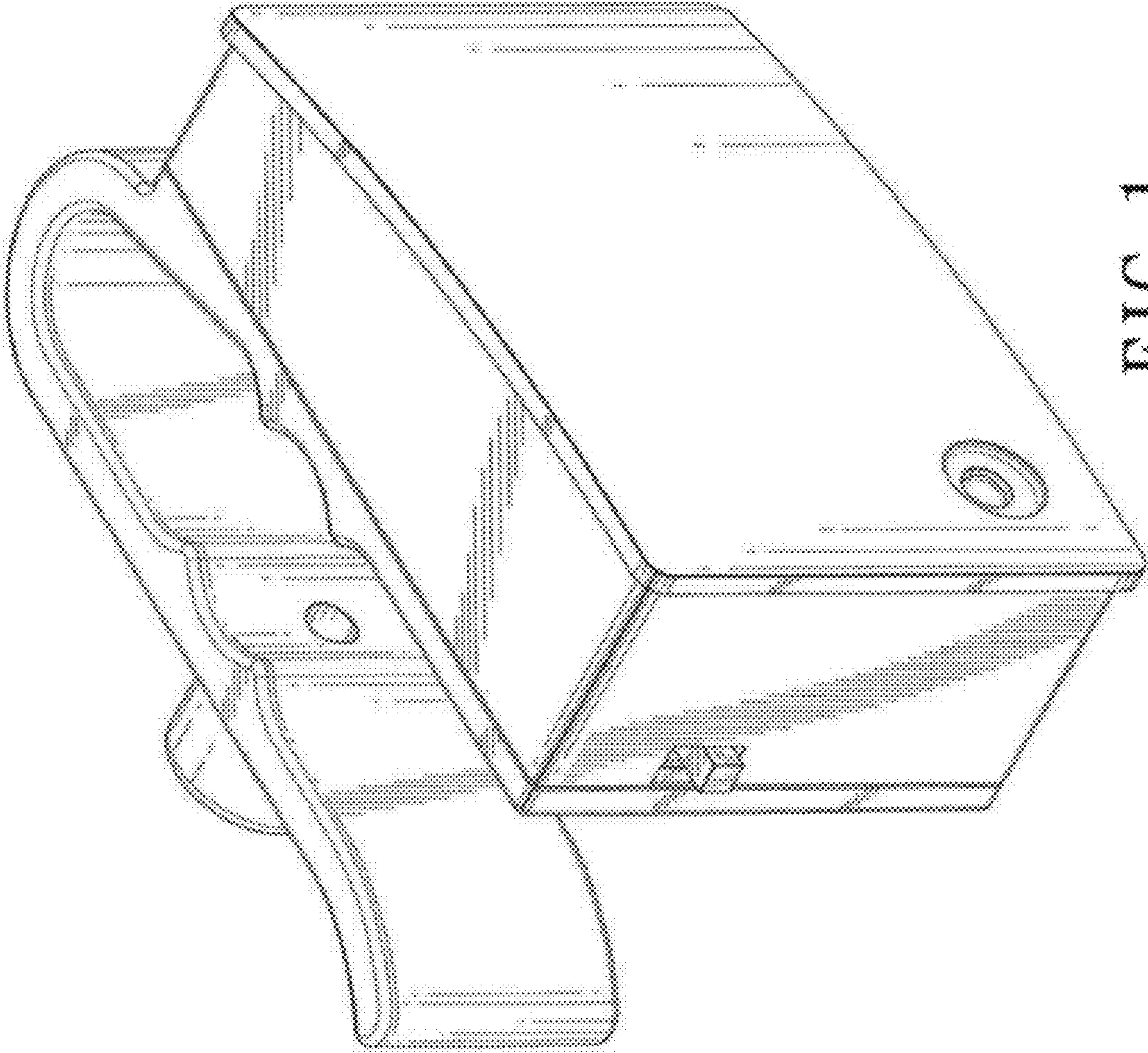


FIG. 1

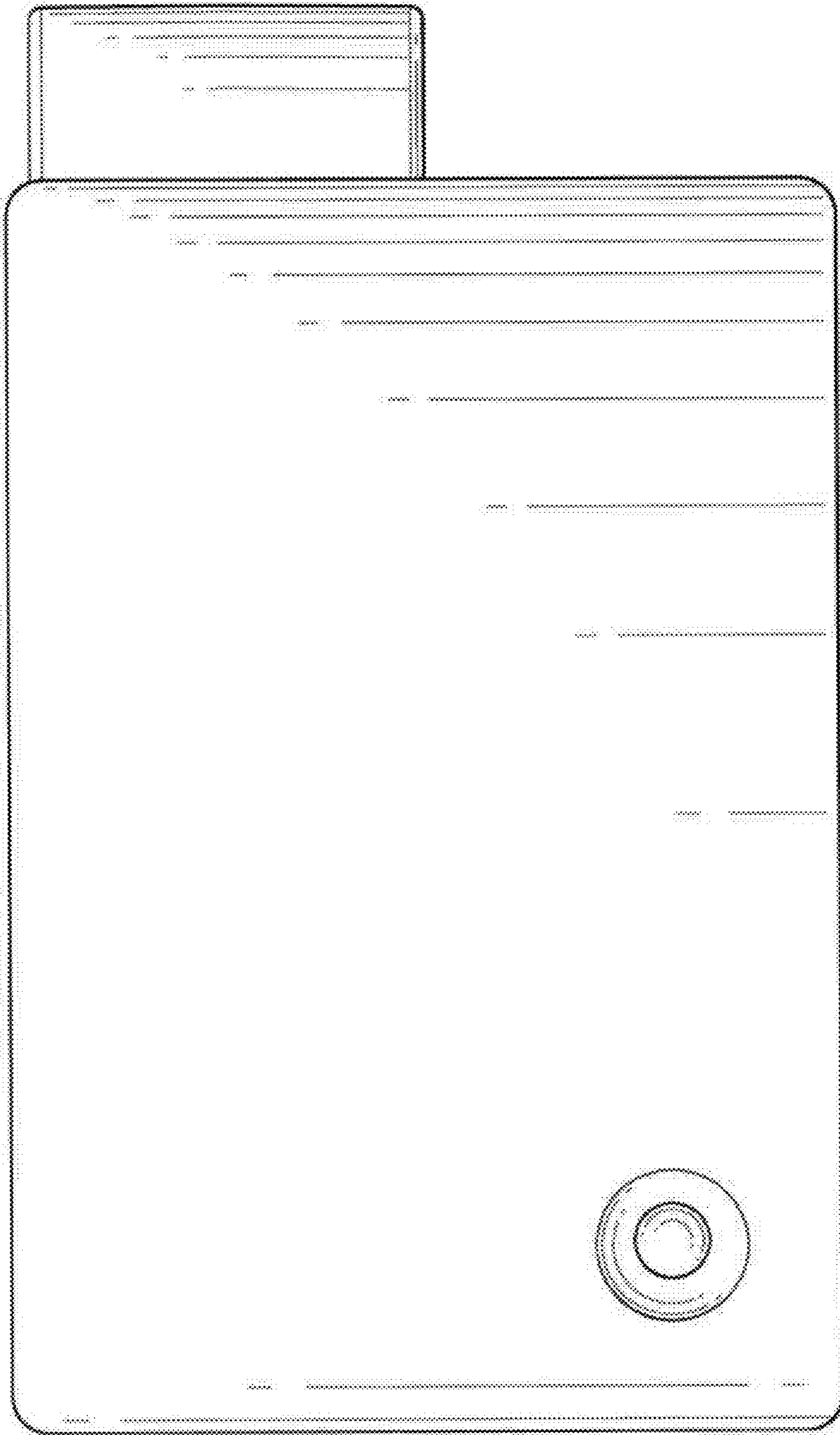


FIG. 2

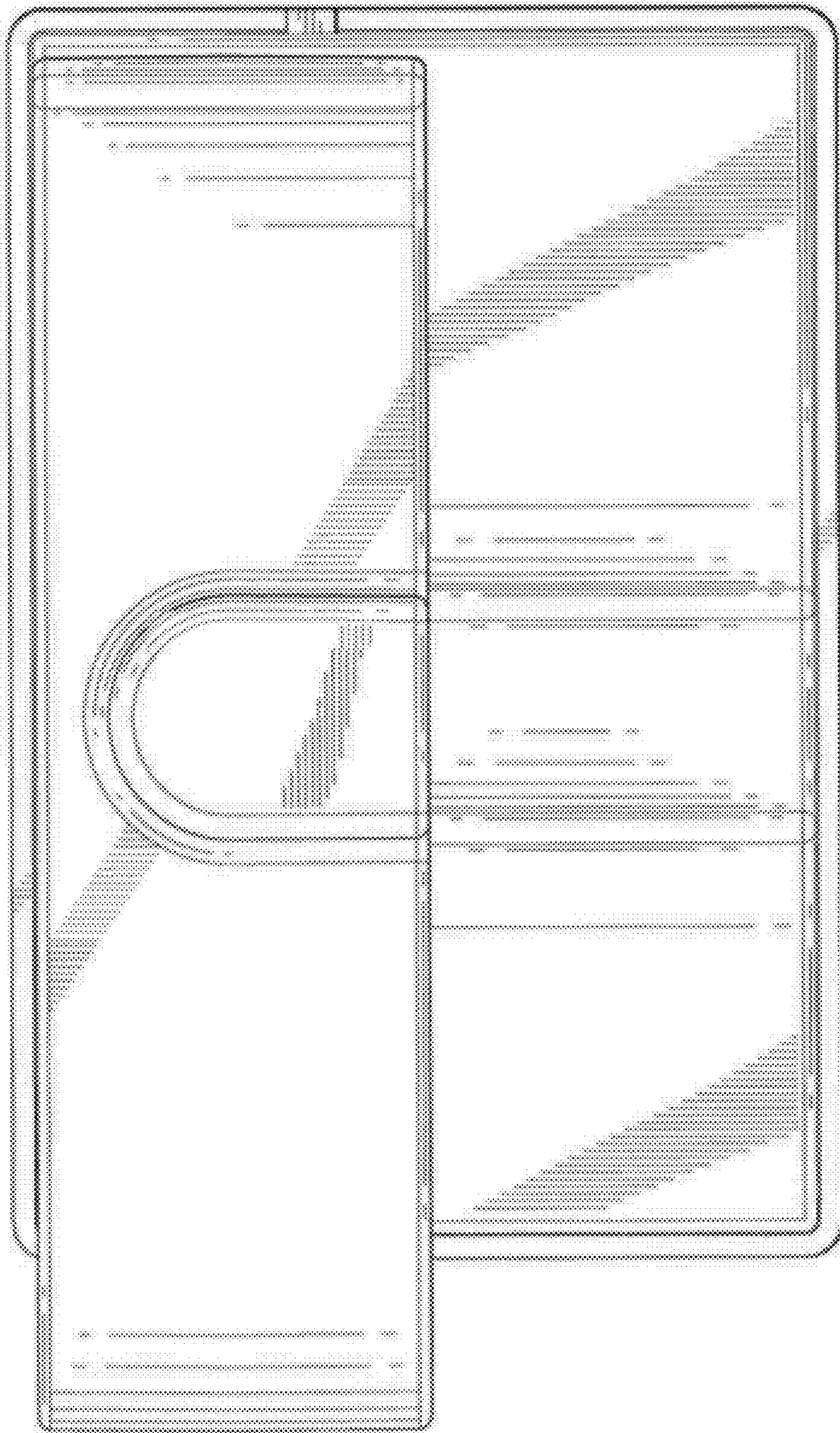


FIG. 3

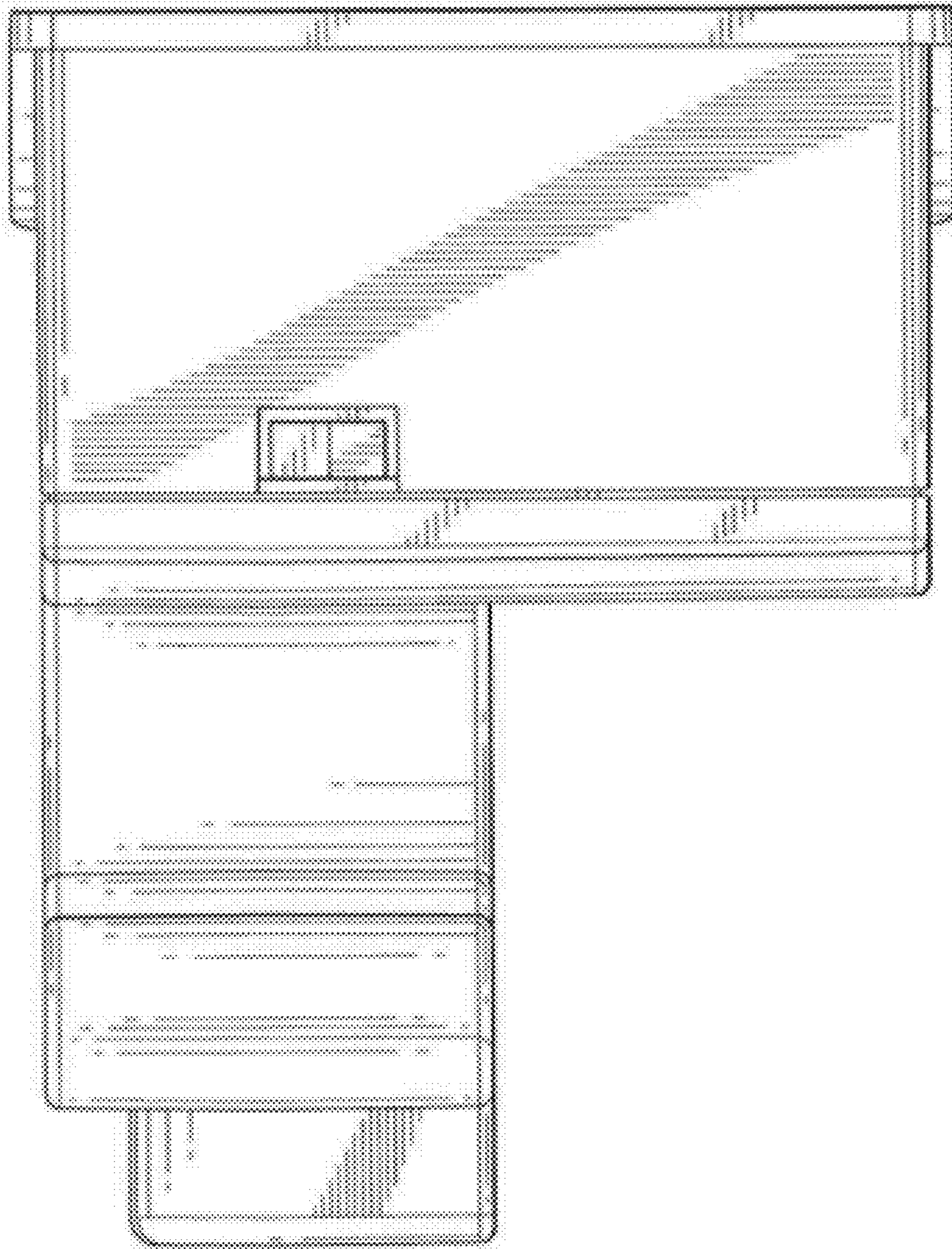


FIG. 4

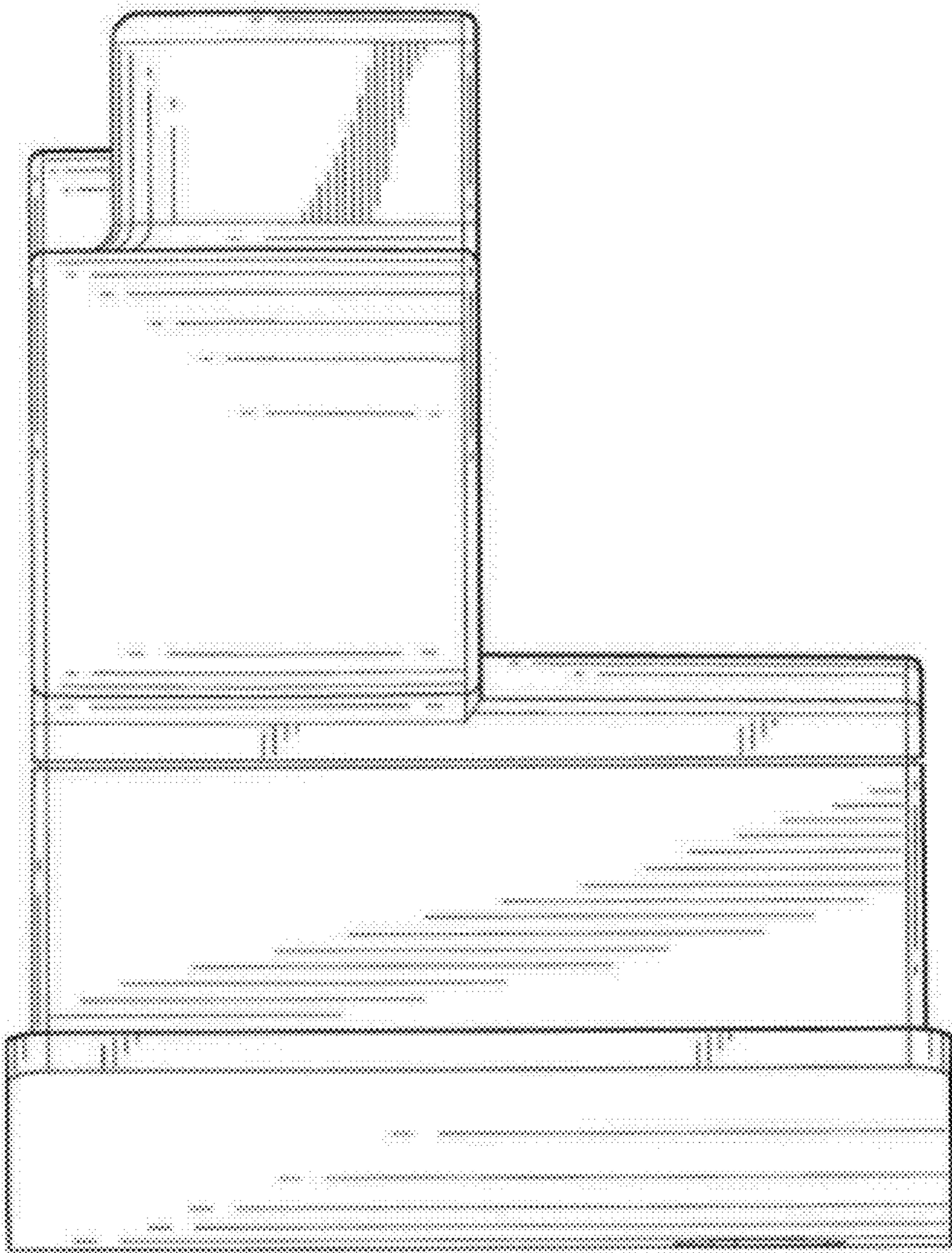


FIG. 5

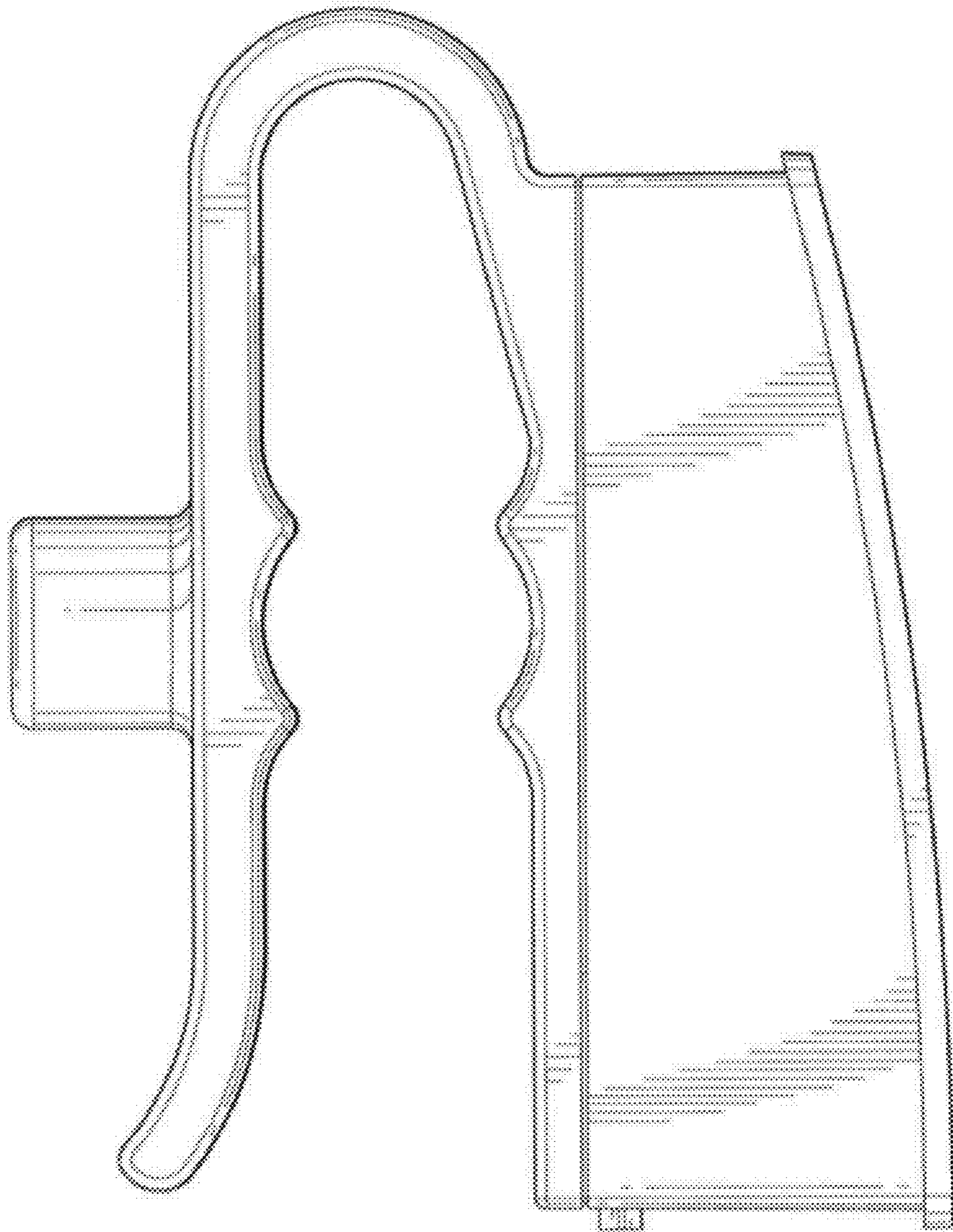


FIG. 6

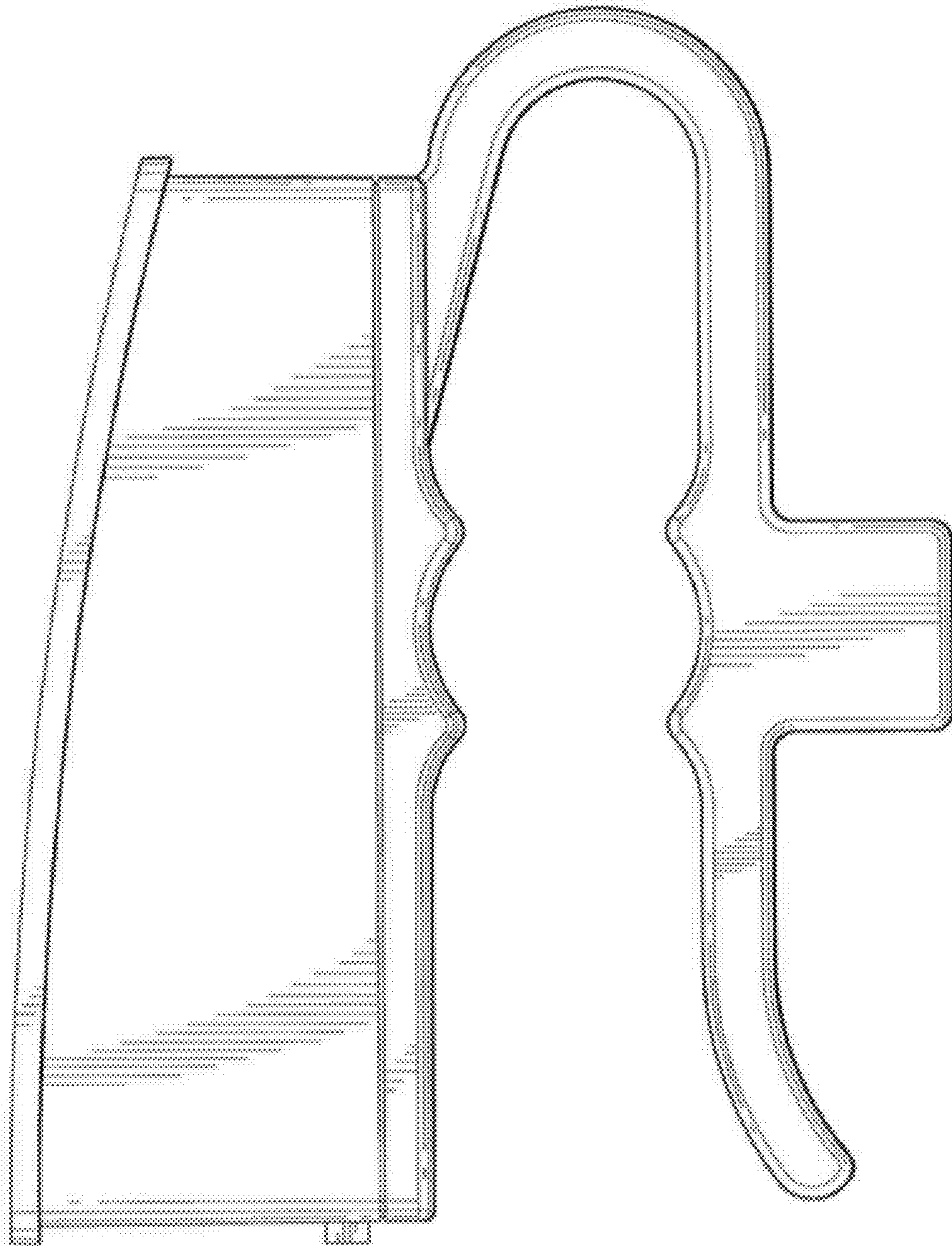


FIG. 7