



US00D674302S

(12) **United States Design Patent**
Robb et al.

(10) **Patent No.:** **US D674,302 S**
(45) **Date of Patent:** **** *Jan. 15, 2013**

(54) **FLOW METER HOUSING**

(75) Inventors: **Linda Robb**, Lafayette, CO (US);
Gregory Treat Lanham, Longmont, CO
(US); **Christopher A. Werbach**,
Longmont, CO (US)

(73) Assignee: **Micro Motion, Inc.**, Boulder, CO (US)

(*) Notice: This patent is subject to a terminal dis-
claimer.

(**) Term: **14 Years**

(21) Appl. No.: **29/402,942**

(22) Filed: **Sep. 29, 2011**

(51) **LOC (9) Cl.** **10-04**

(52) **U.S. Cl.** **D10/96; D10/99**

(58) **Field of Classification Search** D10/96,
D10/97, 99, 100, 101; 116/264, 276; 73/273,
73/323, 861-861.41

See application file for complete search history.

(56) **References Cited**

U.S. PATENT DOCUMENTS

D418,767 S * 1/2000 Oakley D10/96
D419,088 S * 1/2000 Oakley D10/96

D423,388 S * 4/2000 Oakley D10/96
D427,096 S * 6/2000 McCarthy et al. D10/96
D536,272 S * 2/2007 Colin D10/101
D615,892 S * 5/2010 Valentine et al. D10/96
2011/0209561 A1* 9/2011 Hussain et al. 73/861.357

* cited by examiner

Primary Examiner — Antoine D Davis

(74) *Attorney, Agent, or Firm* — The Ollila Law Group LLC

(57) **CLAIM**

The ornamental design for a flow meter housing, as shown
and described.

DESCRIPTION

FIG. 1 shows a front perspective view of a flow meter hous-
ing.

FIG. 2 shows a front view of the housing.

FIG. 3 shows a back view of the housing.

FIG. 4 shows a right side view of the housing.

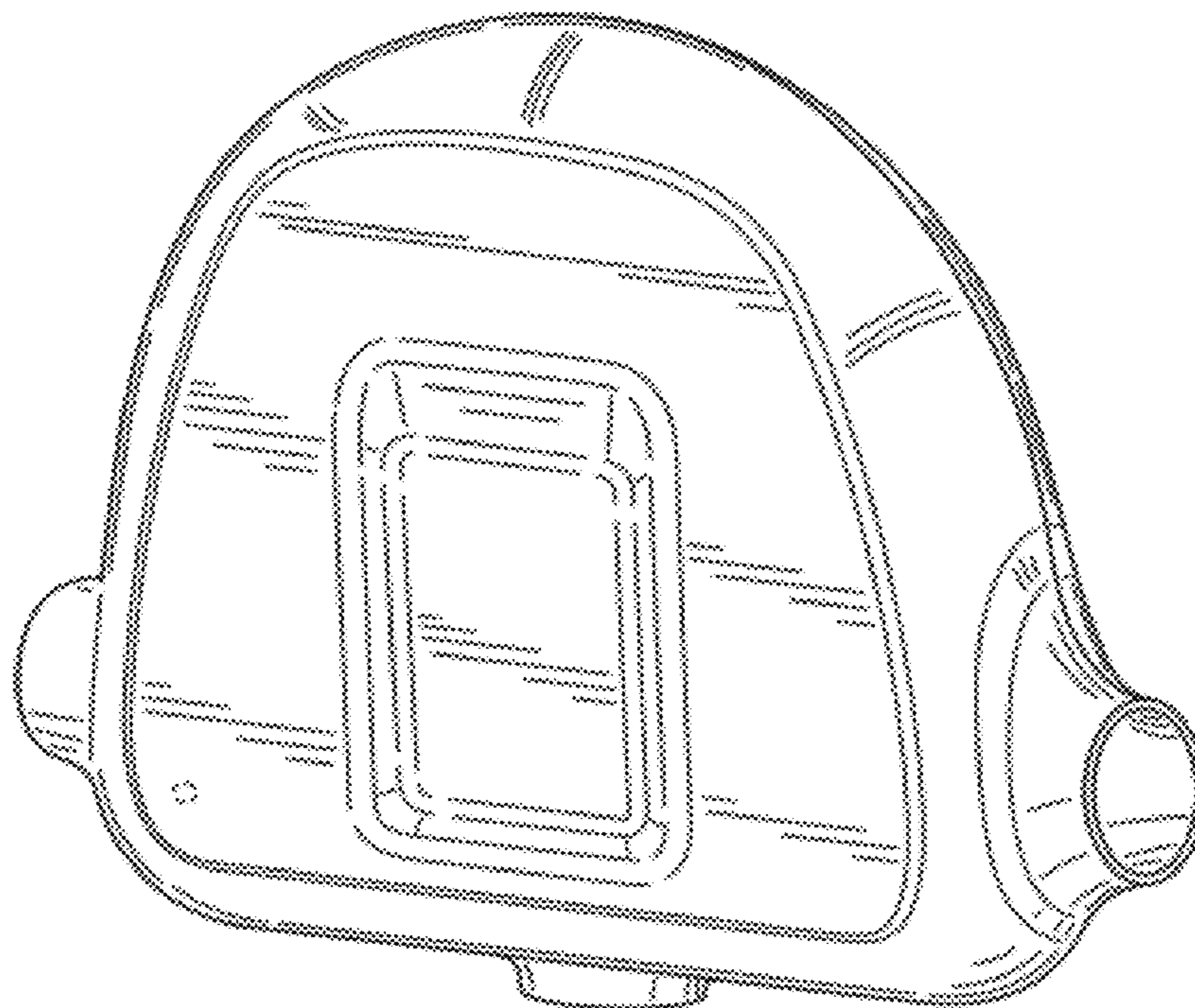
FIG. 5 shows a left side view of the housing.

FIG. 6 shows a top view of the housing; and,

FIG. 7 shows a bottom view of the housing.

The broken line showing of structural features is included for
the purpose of illustrating non-claimed subject matter and
forms no part of the claimed design.

1 Claim, 5 Drawing Sheets



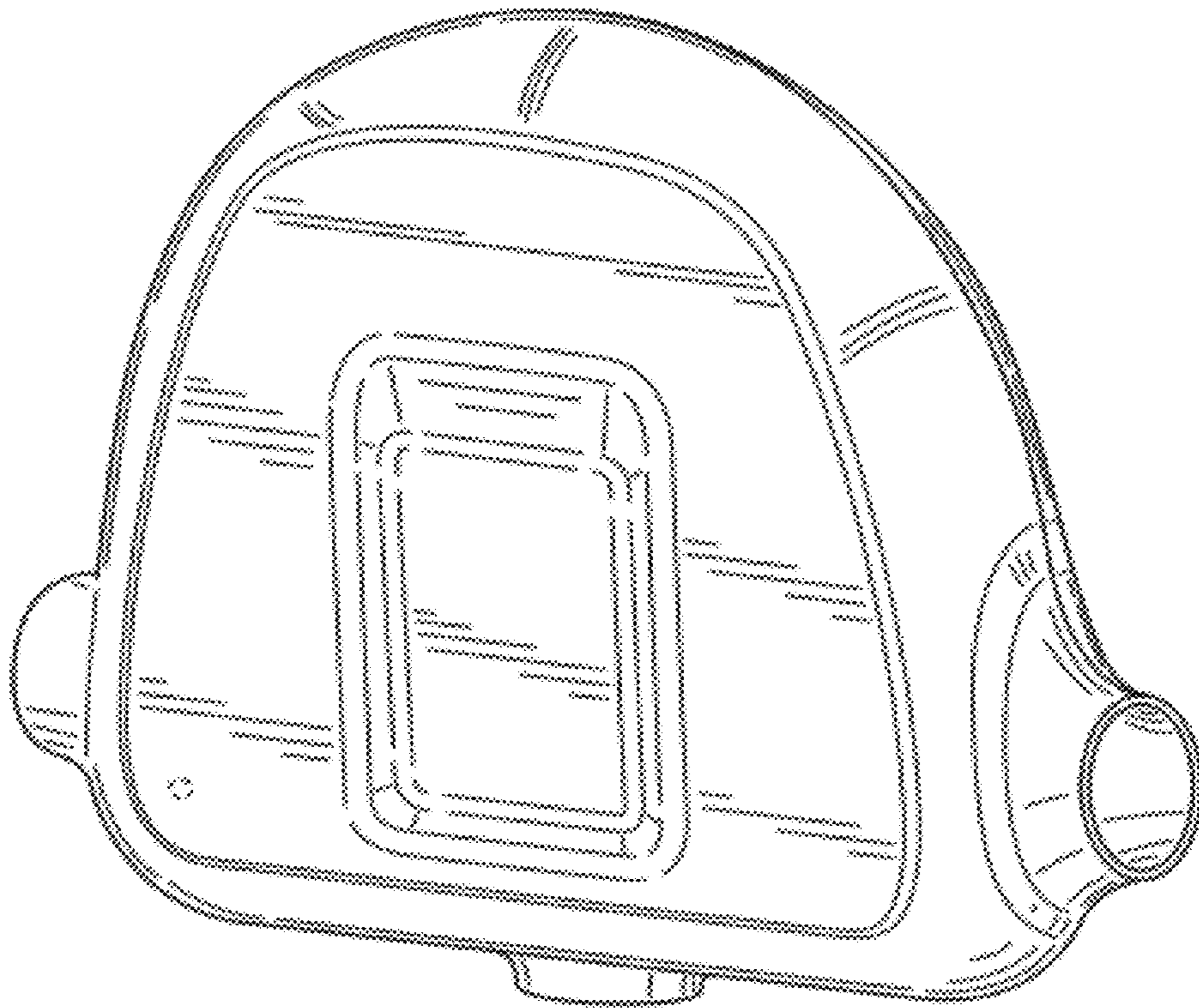


FIG. 1

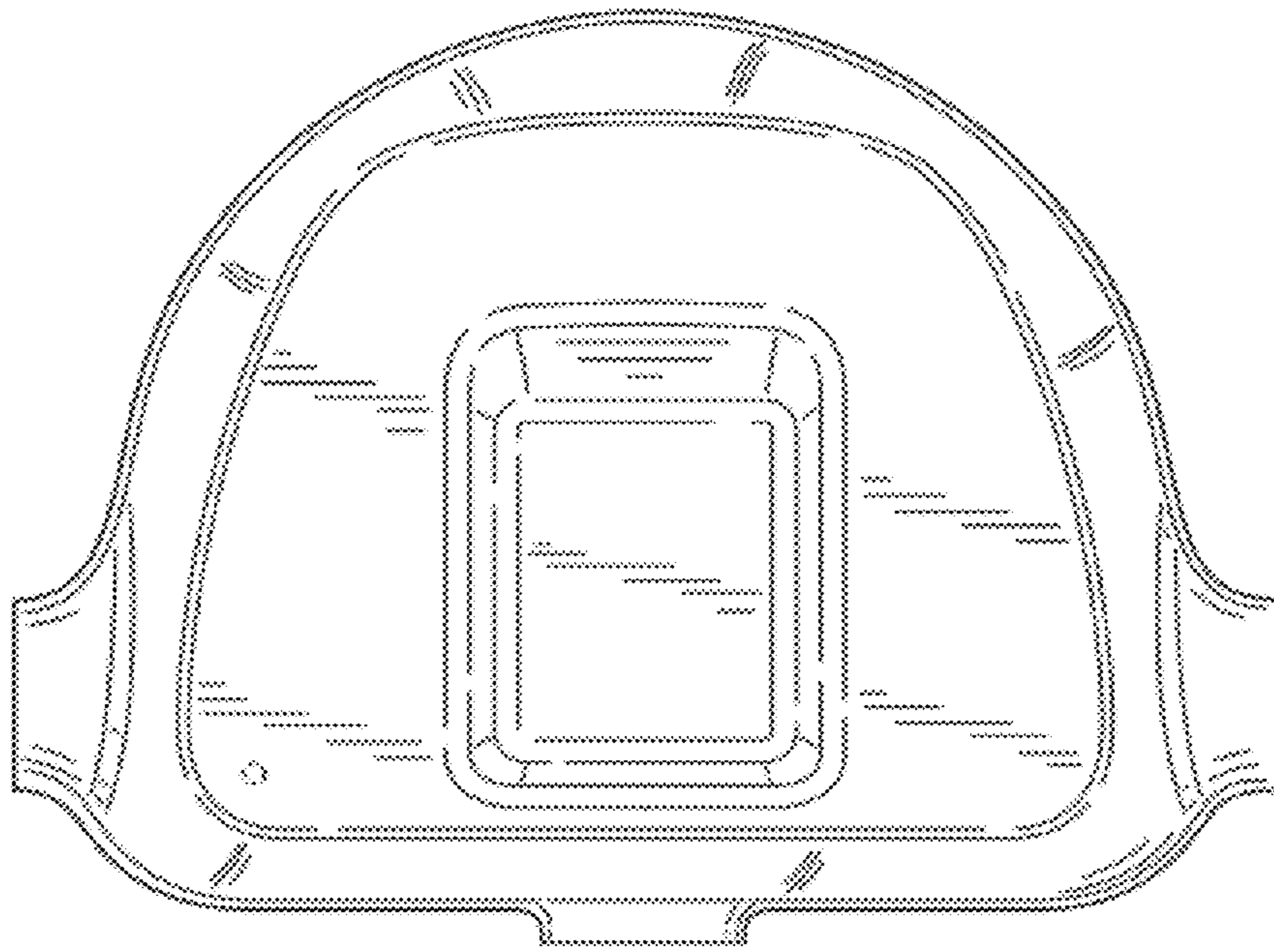


FIG. 2

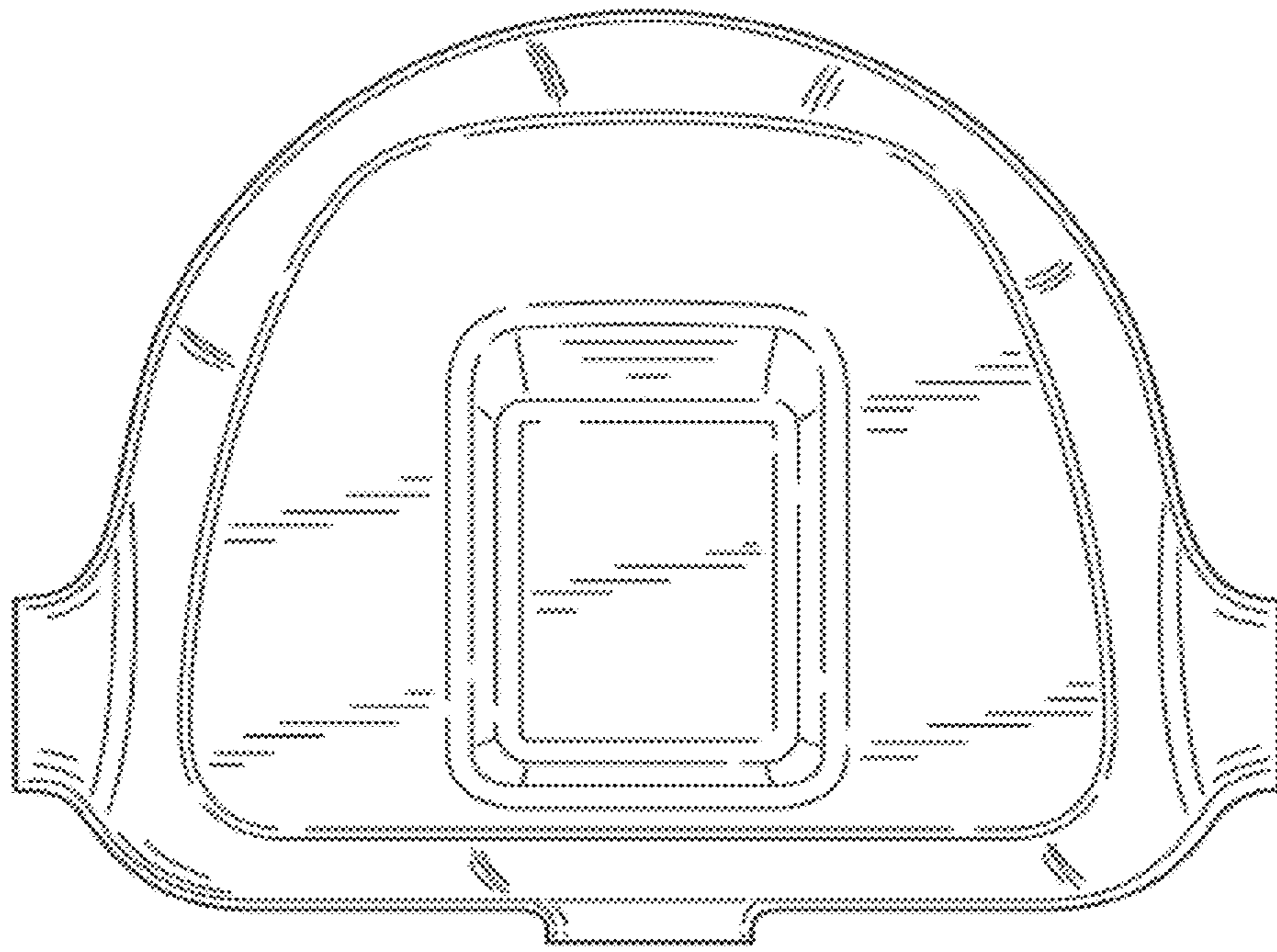


FIG. 3

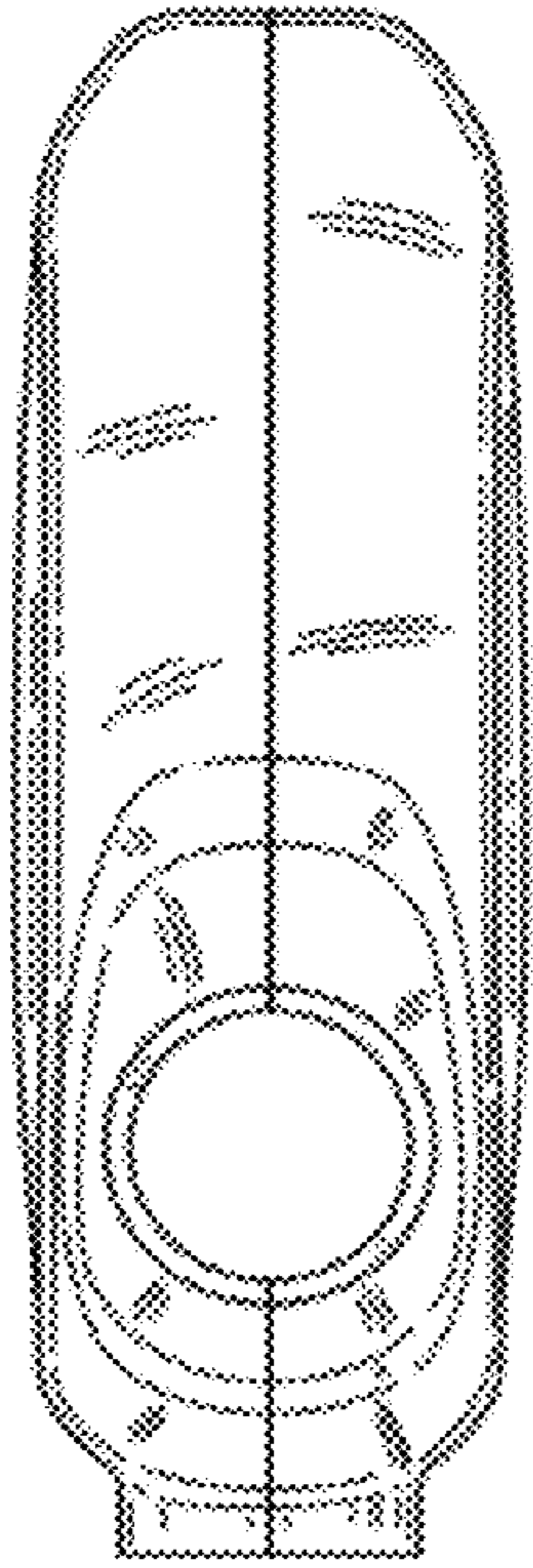


FIG. 4

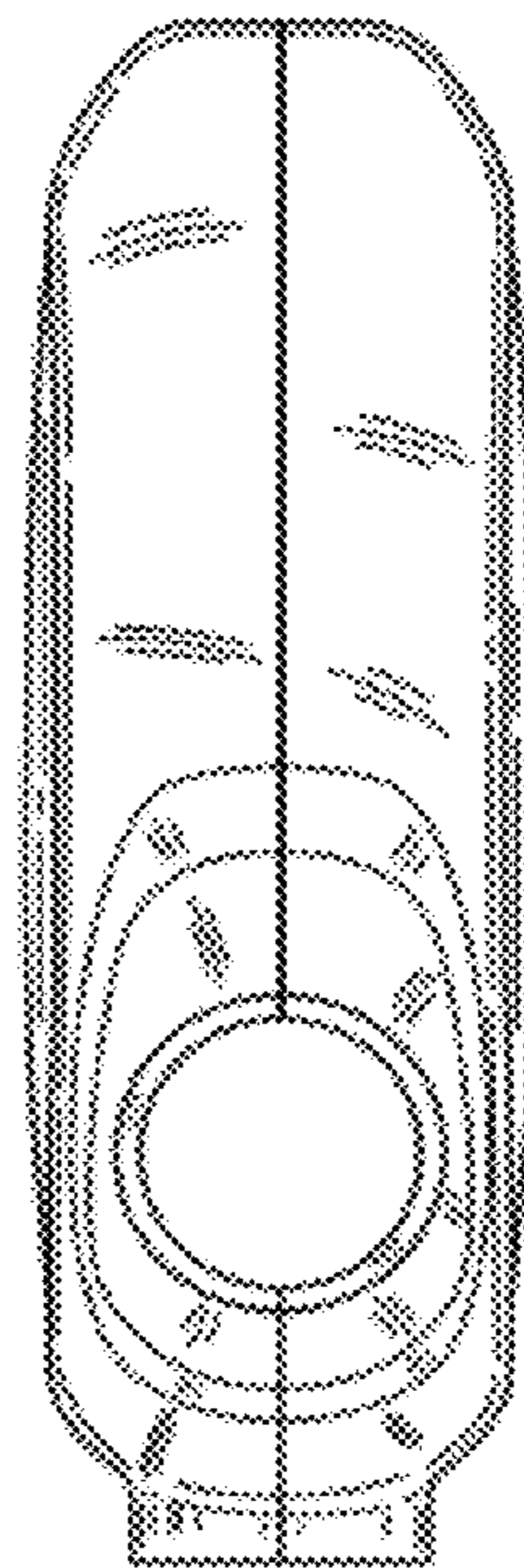


FIG. 5

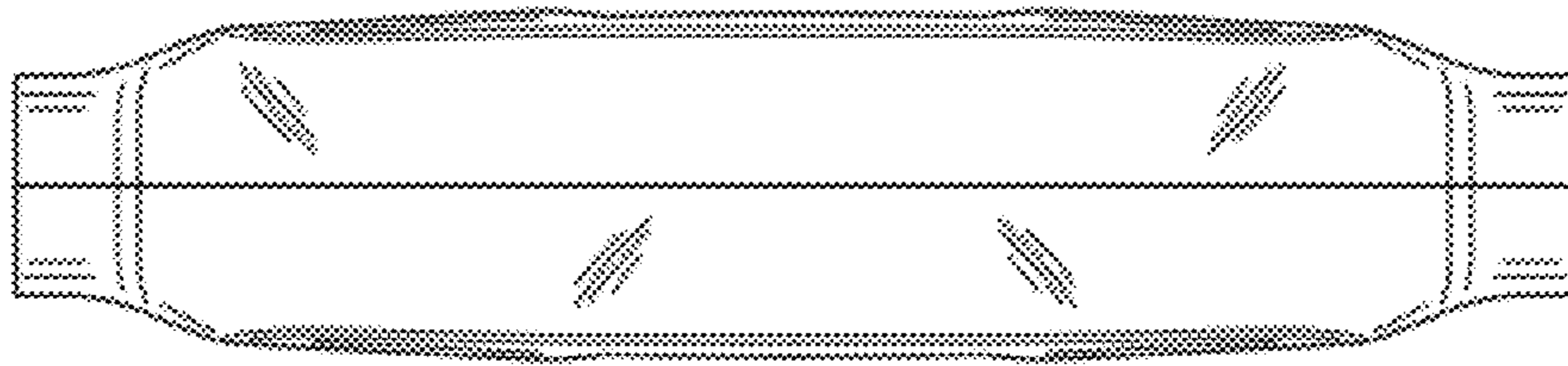


FIG. 6

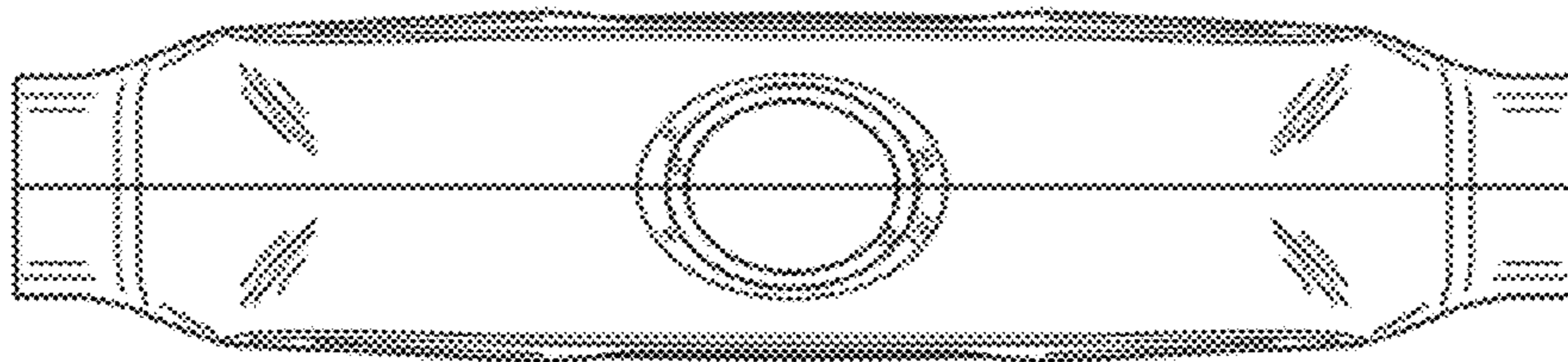


FIG. 7