



US00D674299S

(12) **United States Design Patent**
Azuma et al.

(10) **Patent No.:** **US D674,299 S**
(45) **Date of Patent:** **** Jan. 15, 2013**

(54) **WATER METER**

(75) Inventors: **Koichi Azuma**, Nagoya (JP); **Masahiko Goto**, Nagoya (JP); **Yoshihiro Kataoka**, Nagoya (JP); **Koichi Kimura**, Nagoya (JP)

(73) Assignee: **Aichi Tokei Denki Co., Ltd.**, Aichi-ken (JP)

(**) Term: **14 Years**

(21) Appl. No.: **29/397,222**

(22) Filed: **Jul. 13, 2011**

(30) **Foreign Application Priority Data**

Feb. 3, 2011 (JP) 2011-002332

(51) **LOC (9) Cl.** **10-04**

(52) **U.S. Cl.** **D10/96**

(58) **Field of Classification Search** D10/96,
D10/99; 73/271, 273, 861-861.41, 861.71-861.94

See application file for complete search history.

(56) **References Cited**

U.S. PATENT DOCUMENTS

D358,783 S * 5/1995 Nemoto et al. D10/96

* cited by examiner

Primary Examiner — Antoine D Davis

(74) *Attorney, Agent, or Firm* — IP & T Group LLP

(57) **CLAIM**

The ornamental design for a water meter, as shown and described.

DESCRIPTION

This application is related by subject matter to another U.S. application Ser. No. 29/397,232 entitled "Water Meter" and filed on Jul. 13, 2011.

FIG. 1 is a top front perspective view of a water meter showing the new design; and

FIG. 2 is a front elevational view of the water meter;

FIG. 3 is a back elevational view of the water meter;

FIG. 4 is a right side elevational view of the water meter;

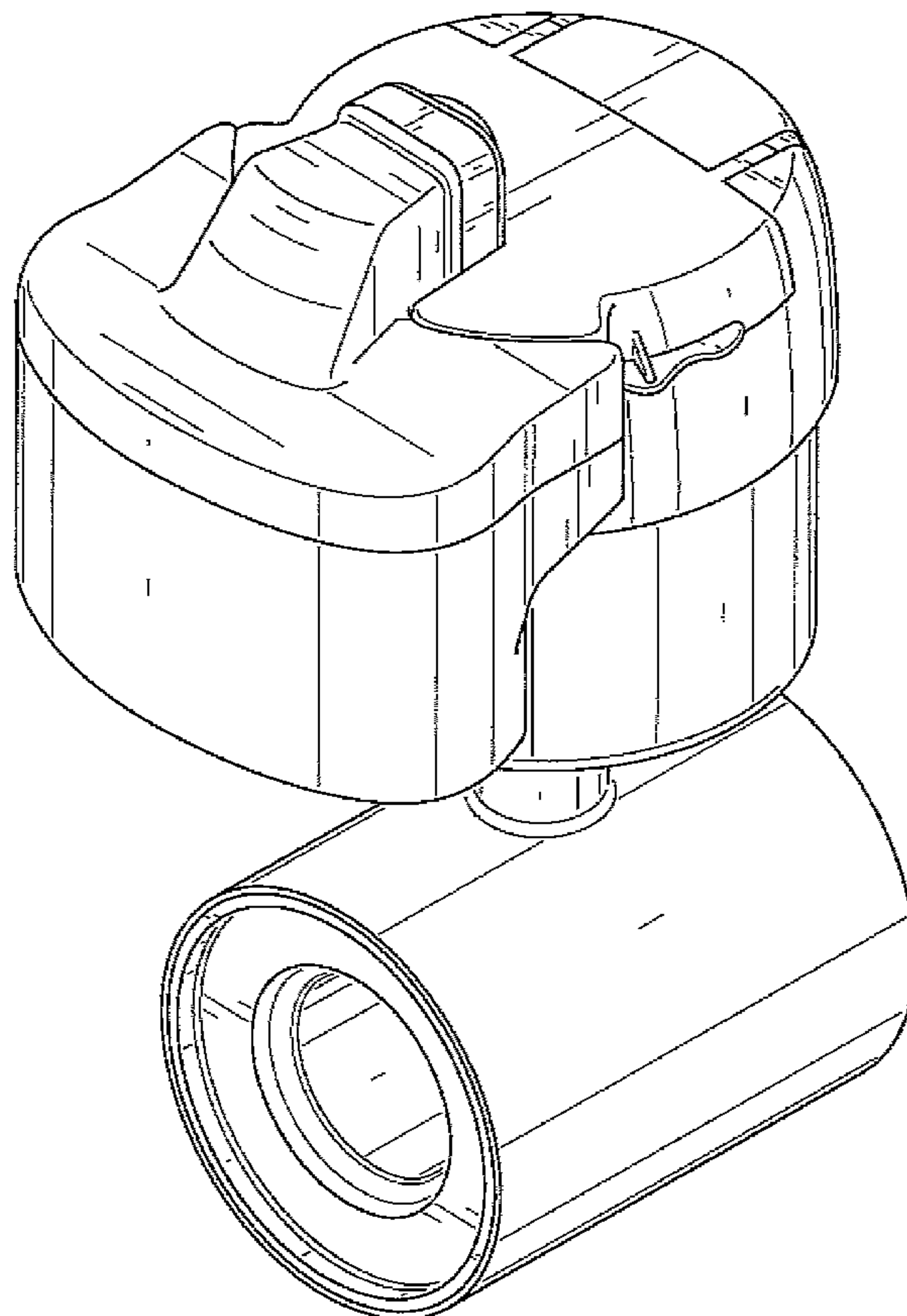
FIG. 5 is a left side elevational view of the water meter;

FIG. 6 is a top plan view of the water meter;

FIG. 7 is a bottom plan view of the water meter; and,

FIG. 8 is a top front perspective view of the water meter with a lid hinged open.

1 Claim, 8 Drawing Sheets



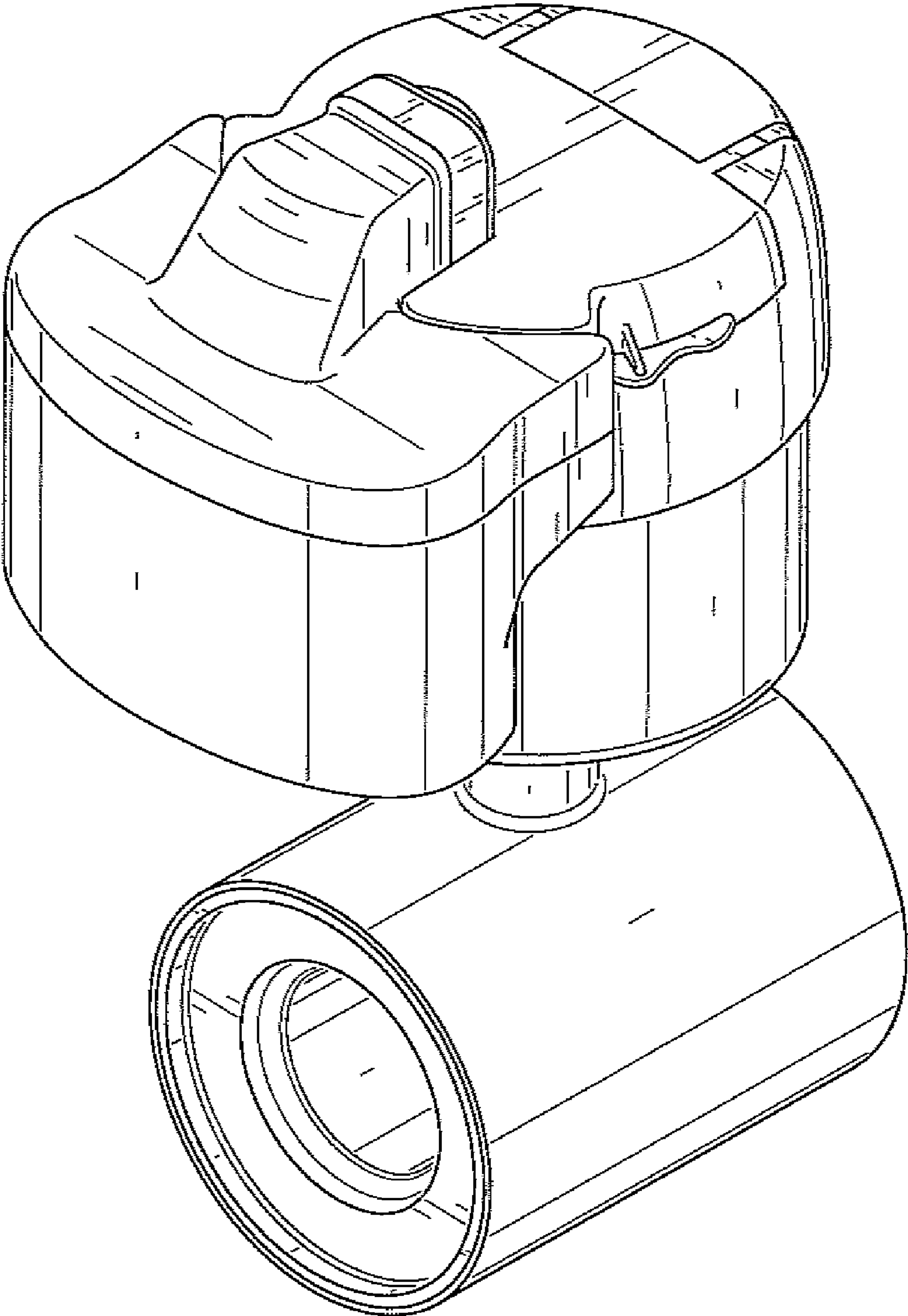


FIG. 1

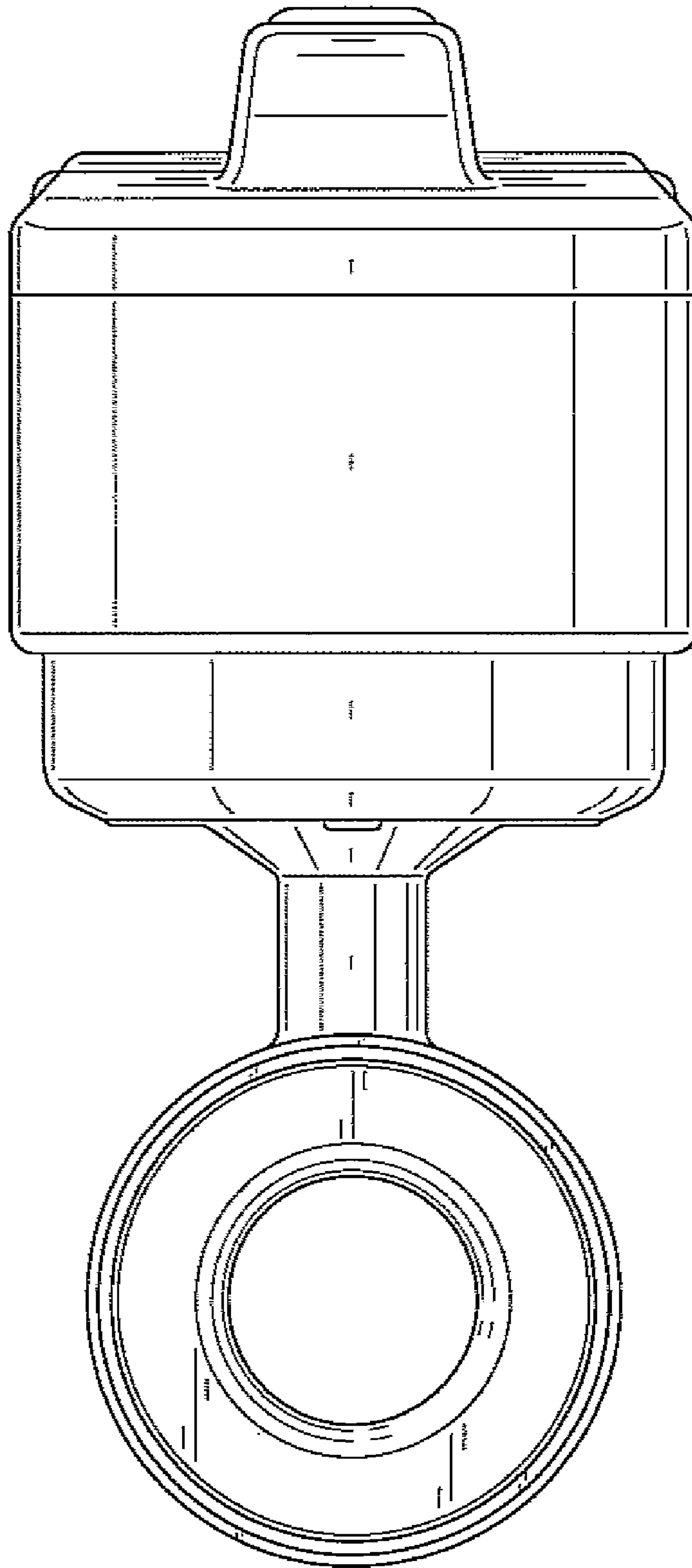


FIG. 2

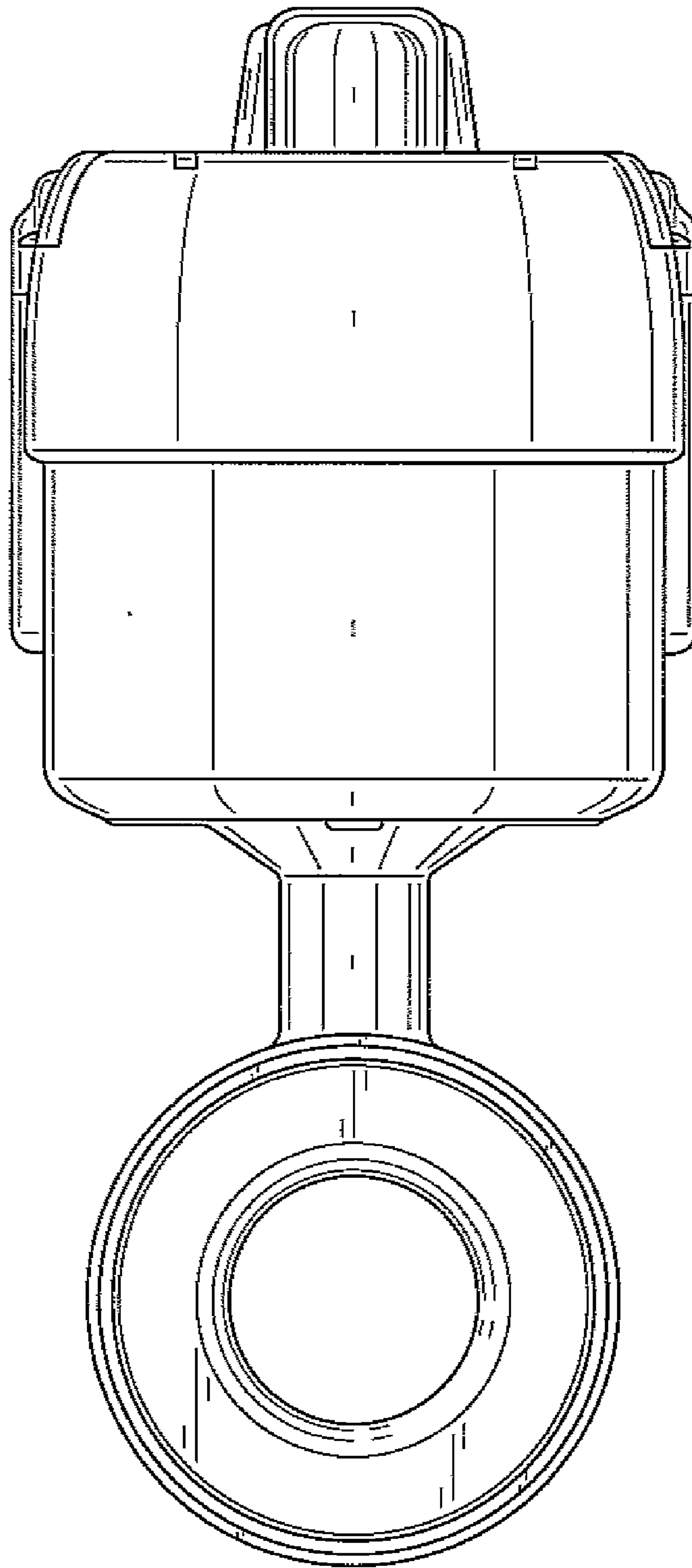


FIG. 3

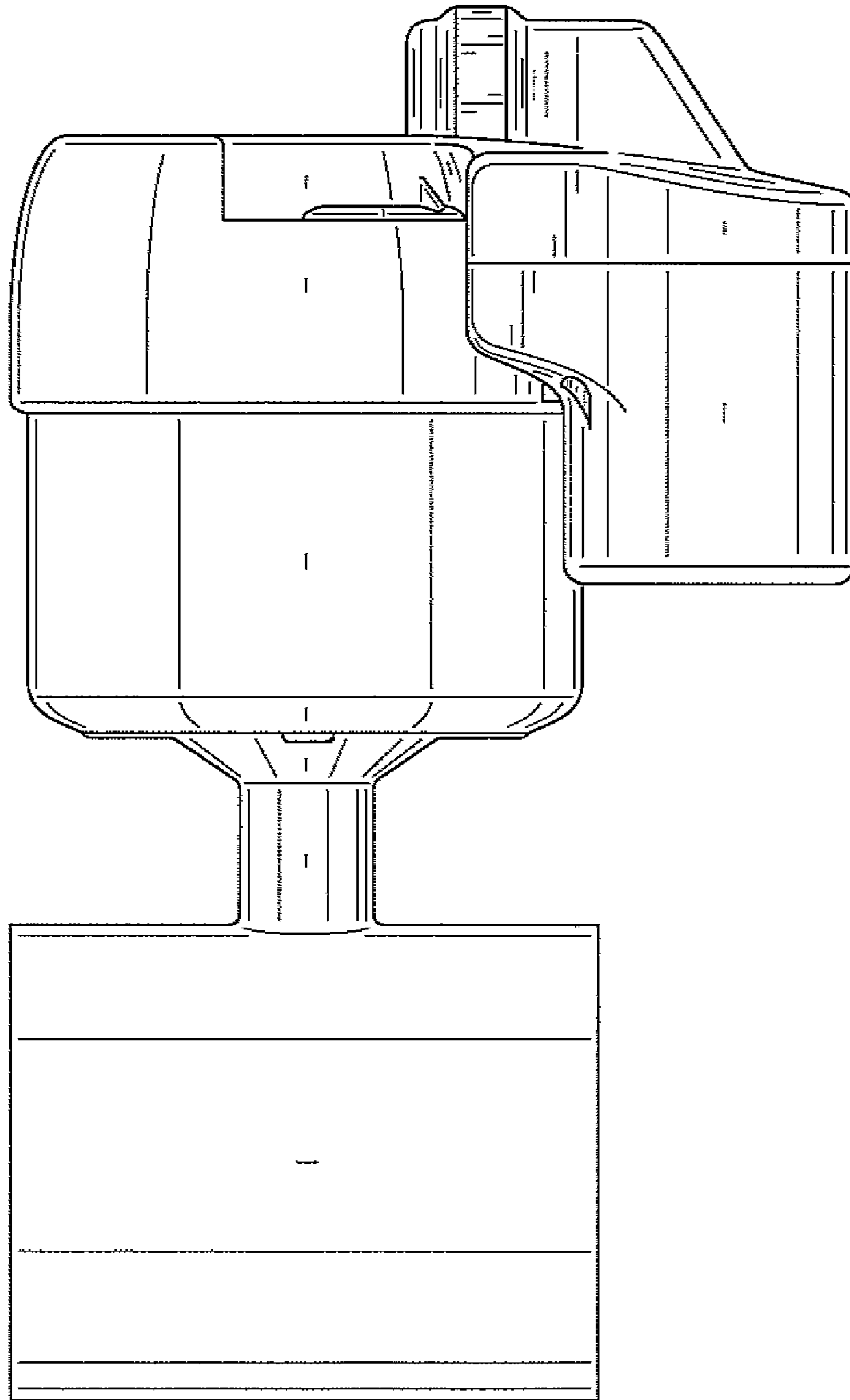


FIG. 4

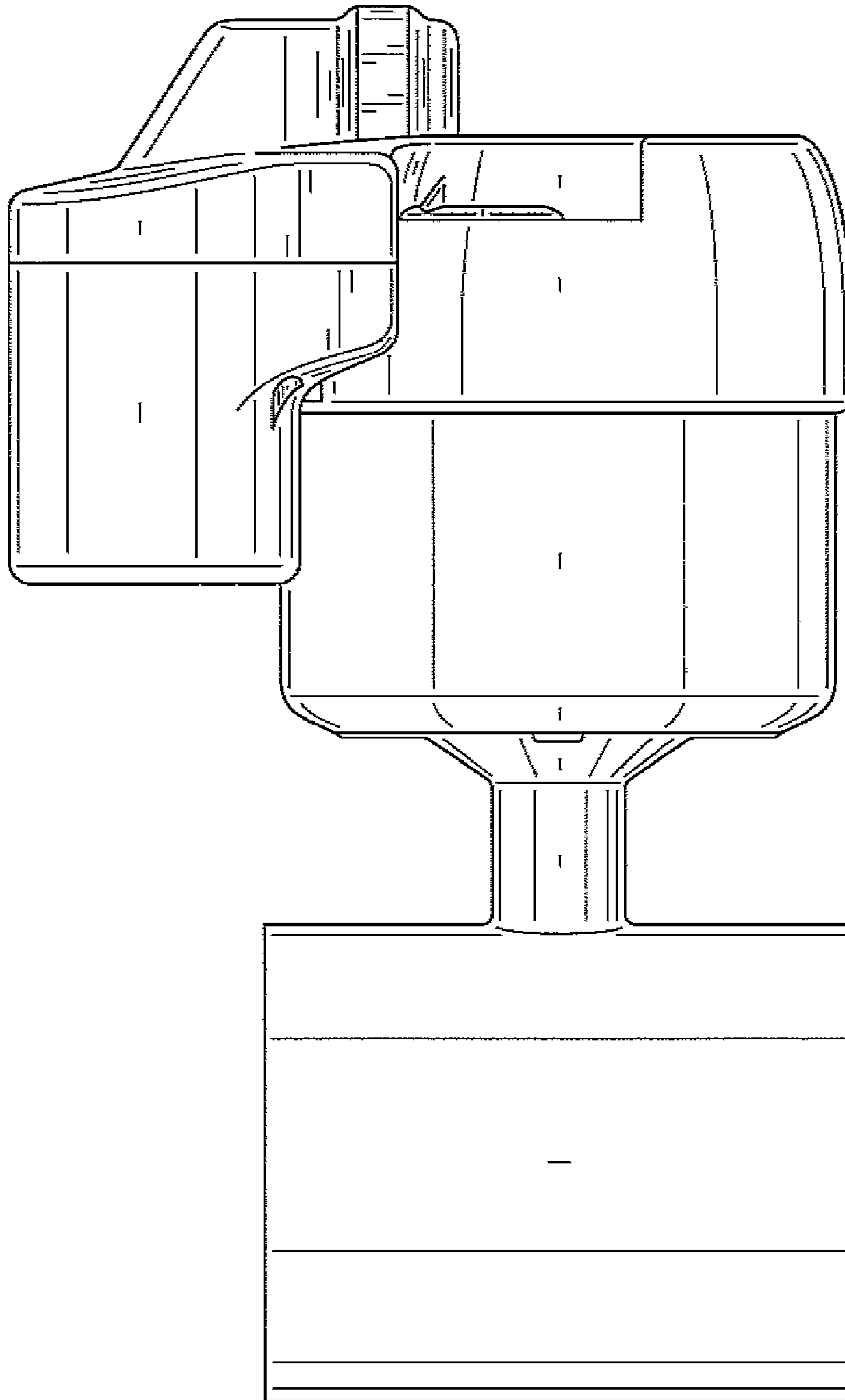


FIG. 5

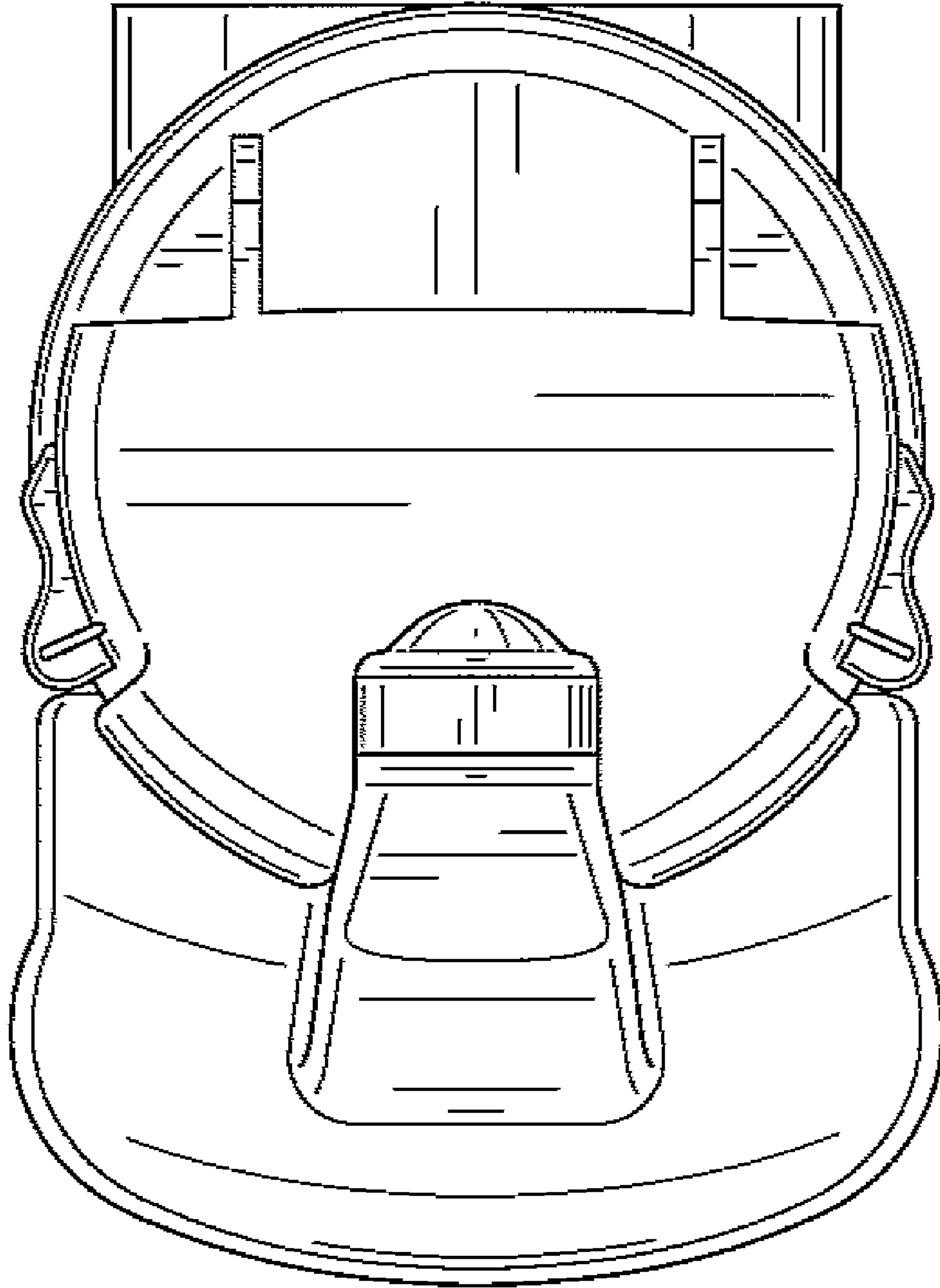


FIG. 6

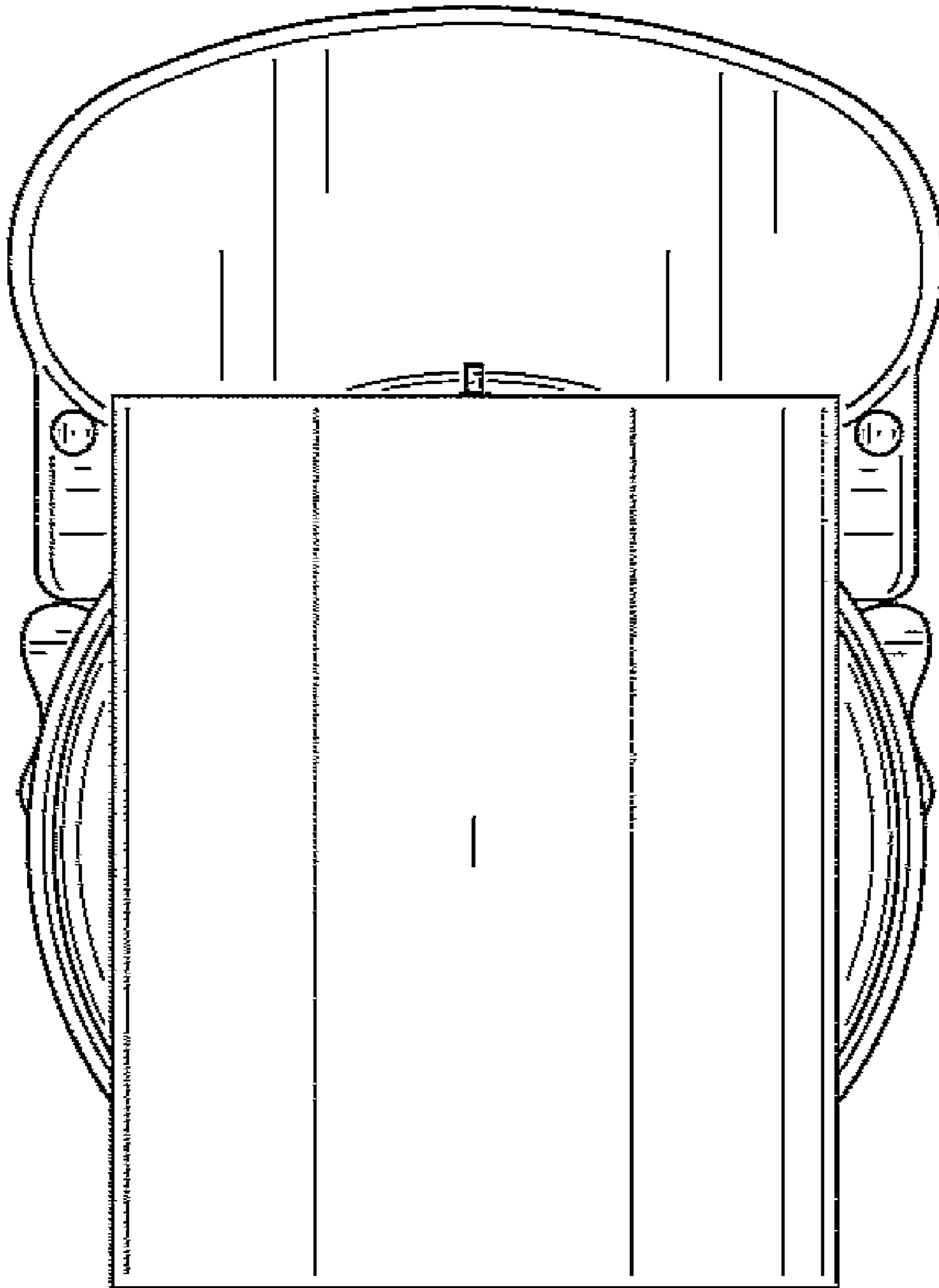


FIG. 7

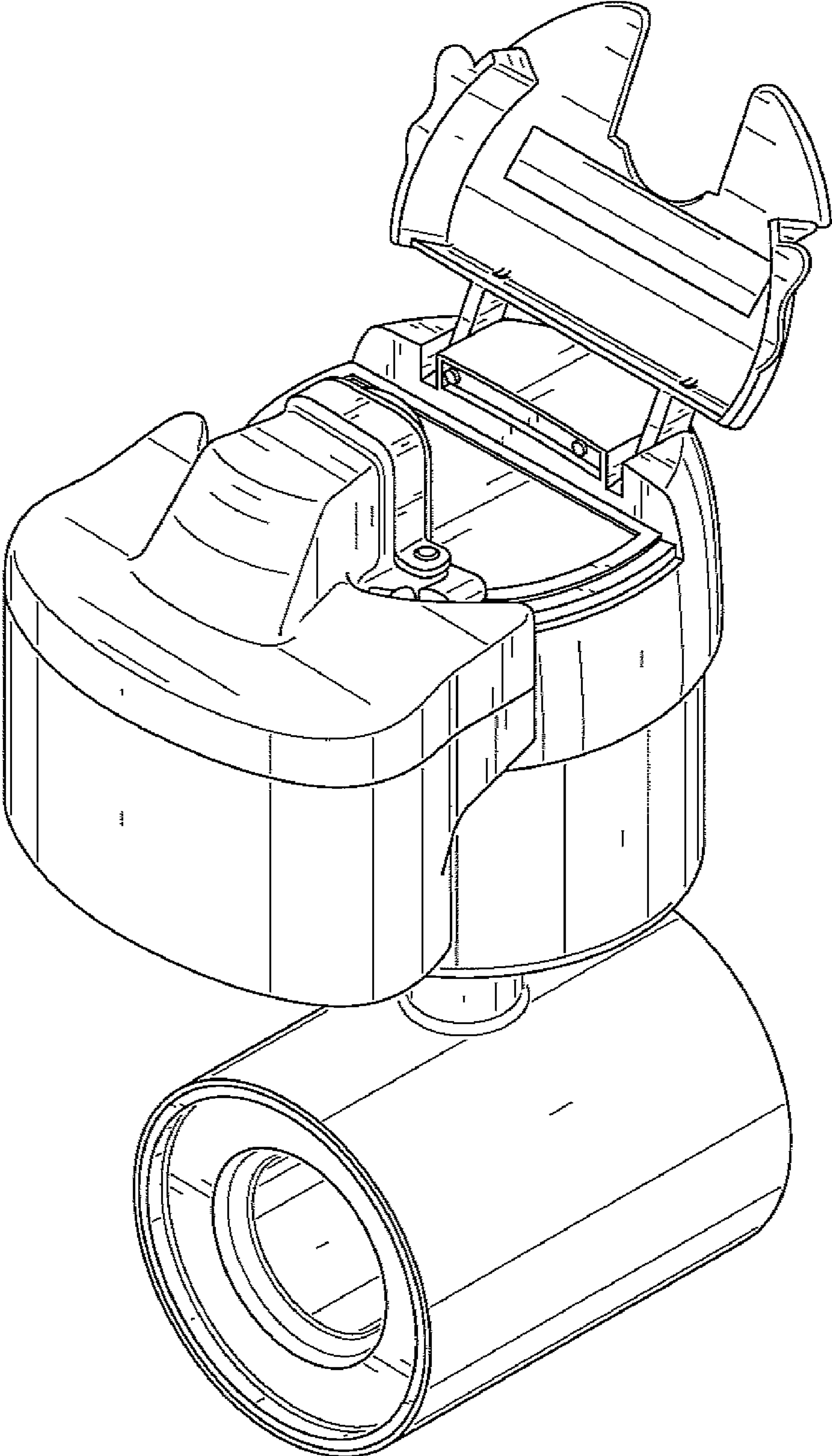


FIG. 8