



US00D674296S

(12) **United States Design Patent**
Chang

(10) **Patent No.:** **US D674,296 S**

(45) **Date of Patent:** **** Jan. 15, 2013**

(54) **COMPASS**

(76) **Inventor:** **Shen-Wei Chang**, Taichung (TW)

(**) **Term:** **14 Years**

(21) **Appl. No.:** **29/428,006**

(22) **Filed:** **Jul. 25, 2012**

(51) **LOC (9) Cl.** **10-04**

(52) **U.S. Cl.** **D10/68**

(58) **Field of Classification Search** D10/68;
33/355 D, 355 R-364

See application file for complete search history.

(56) **References Cited**

U.S. PATENT DOCUMENTS

4,438,568	A	*	3/1984	Kramer et al.	33/348
4,899,453	A	*	2/1990	Bhat et al.	33/348
D349,066	S	*	7/1994	Su	D10/68
D369,982	S	*	5/1996	Chang	D10/68
D401,168	S	*	11/1998	Wallberg	D10/68
D411,121	S	*	6/1999	Chang	D10/68
6,145,209	A	*	11/2000	Chang	33/348
D435,465	S	*	12/2000	Yusa	D10/68
D435,466	S	*	12/2000	Yusa	D10/68

D477,542	S	*	7/2003	Chang	D10/68
D636,281	S	*	4/2011	Henderson et al.	D10/68
D658,521	S	*	5/2012	Chang	D10/68

* cited by examiner

Primary Examiner — Antoine D Davis

(74) *Attorney, Agent, or Firm* — Fox Rothschild, LLP;
Robert J. Sacco

(57) **CLAIM**

The ornamental design for compass, as shown and described.

DESCRIPTION

FIG. 1 is a perspective view of compass showing my new design;

FIG. 2 is a front elevational view thereof;

FIG. 3 is a rear elevational view thereof;

FIG. 4 is a left side elevational view thereof;

FIG. 5 is a right side elevational view thereof;

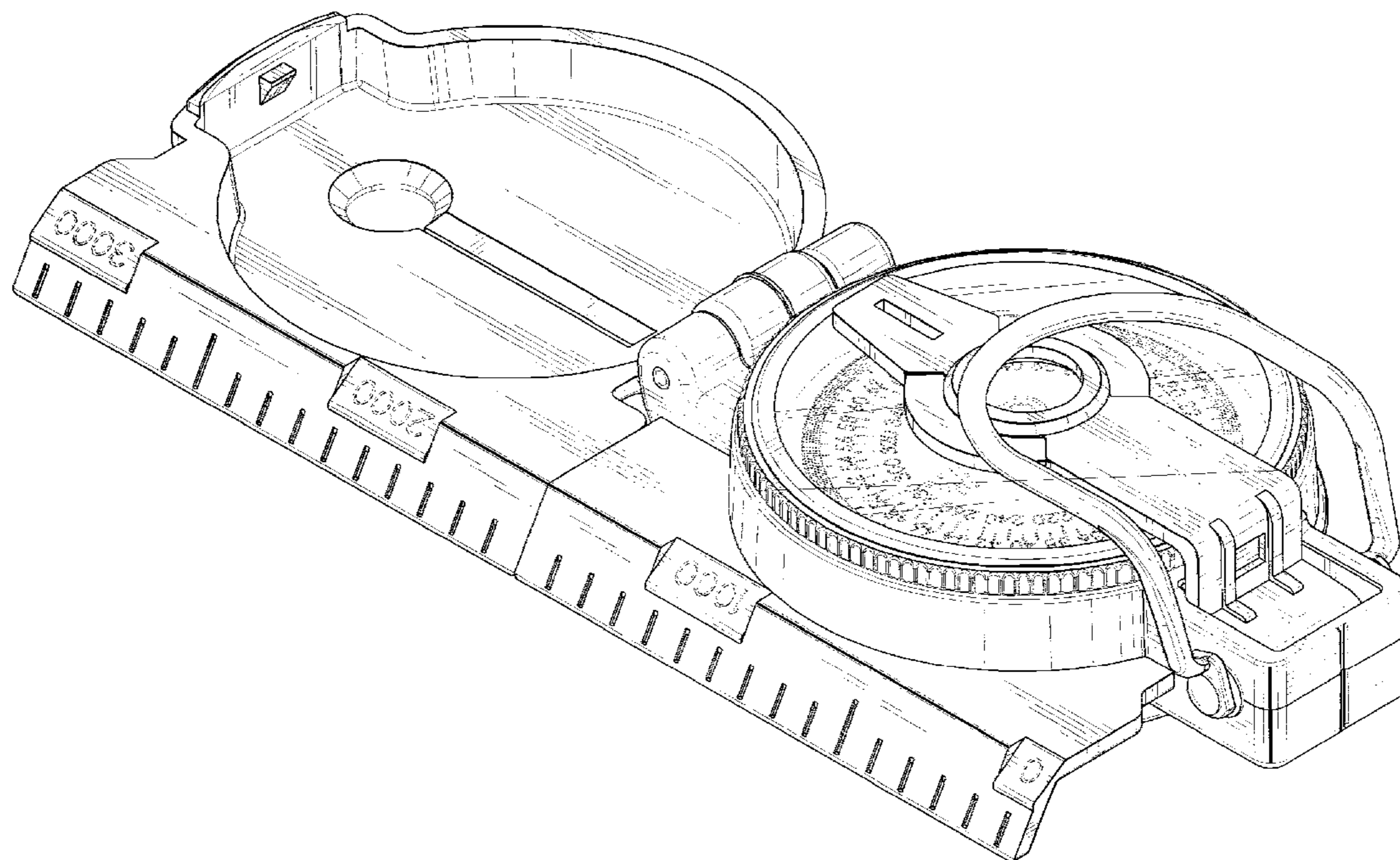
FIG. 6 is a top plan view thereof;

FIG. 7 is a bottom plan view thereof; and,

FIG. 8 is a perspective view of the design in use.

The portions shown in dashed lines do not form part of the design.

1 Claim, 7 Drawing Sheets



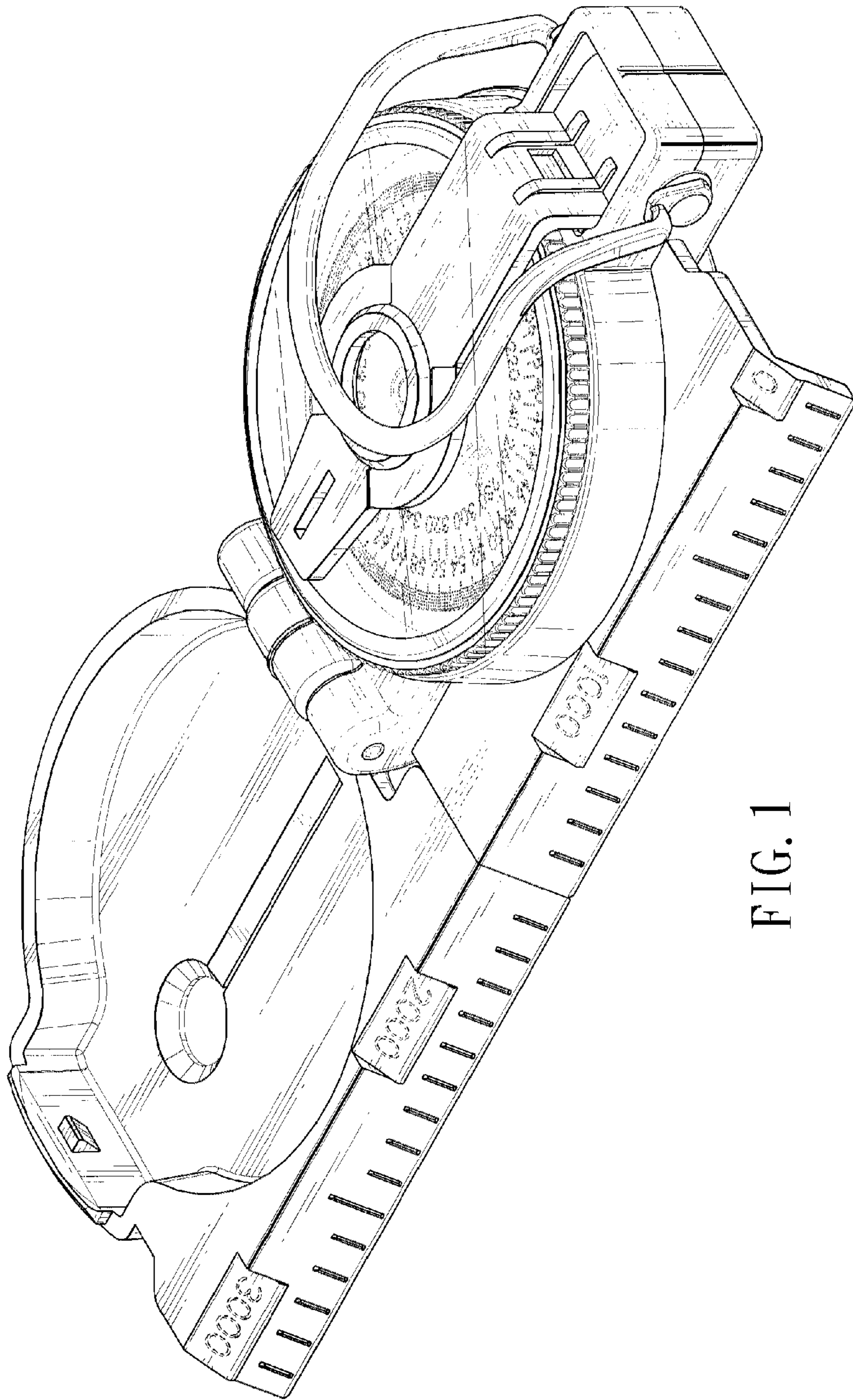


FIG. 1

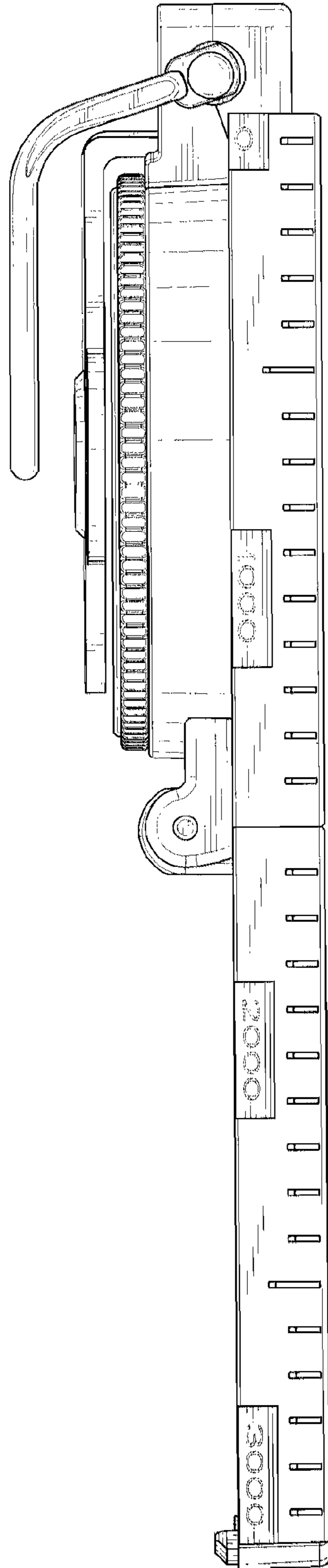


FIG. 2

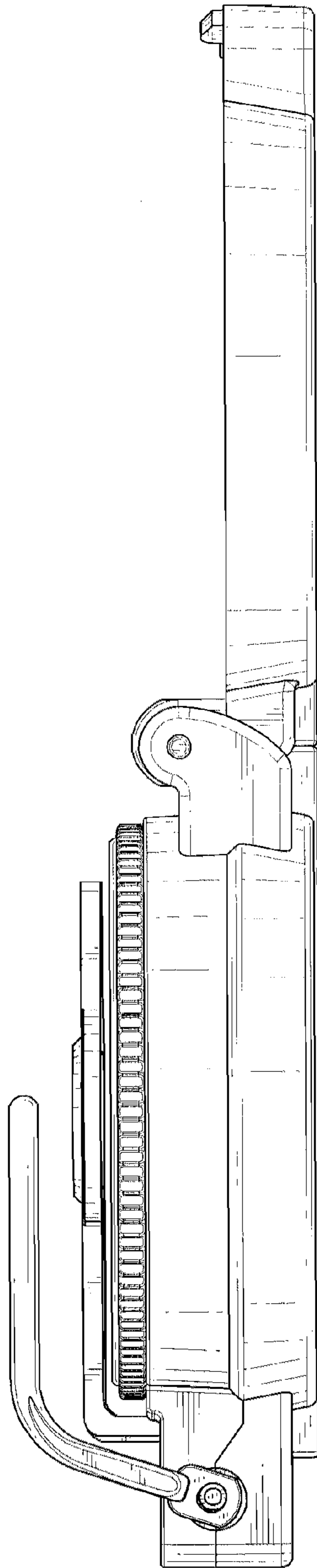


FIG. 3

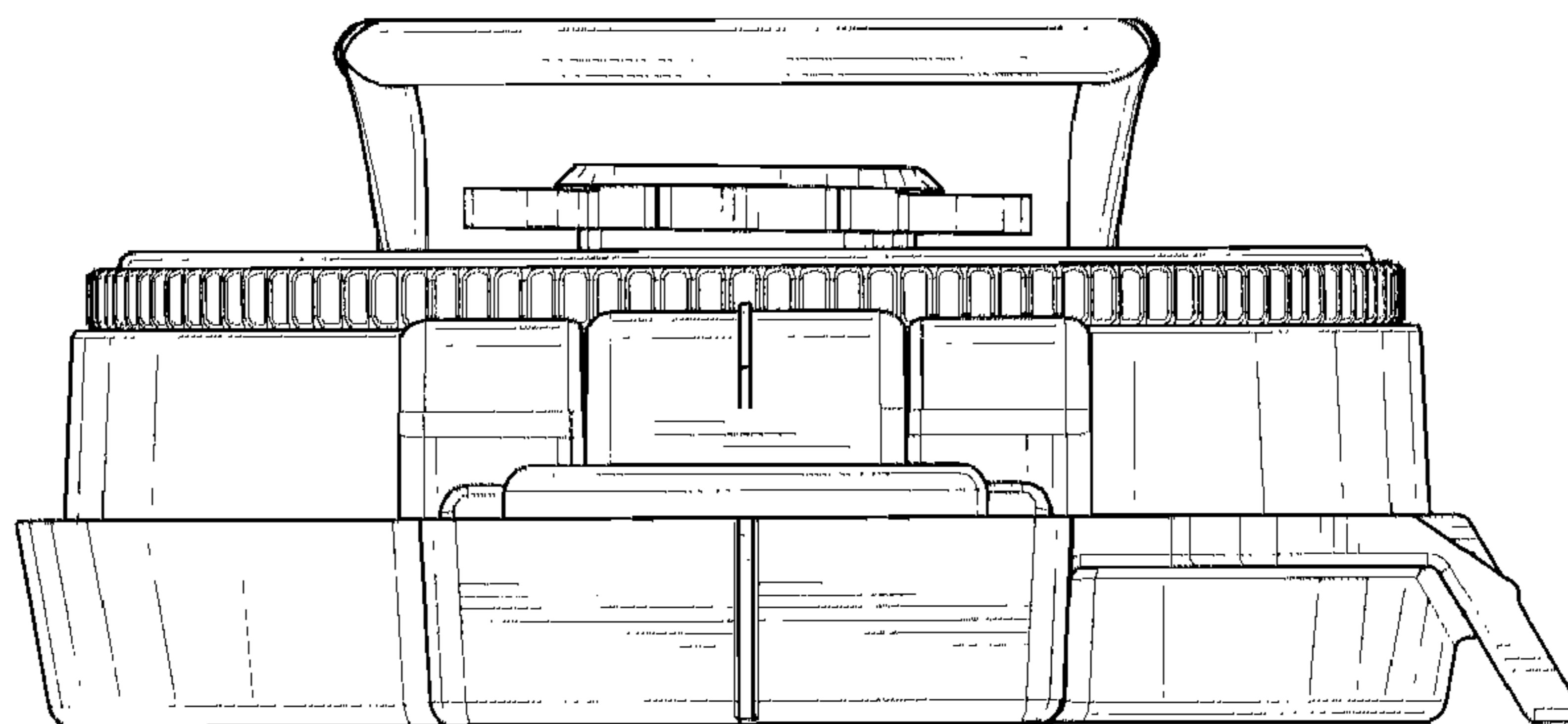


FIG. 4

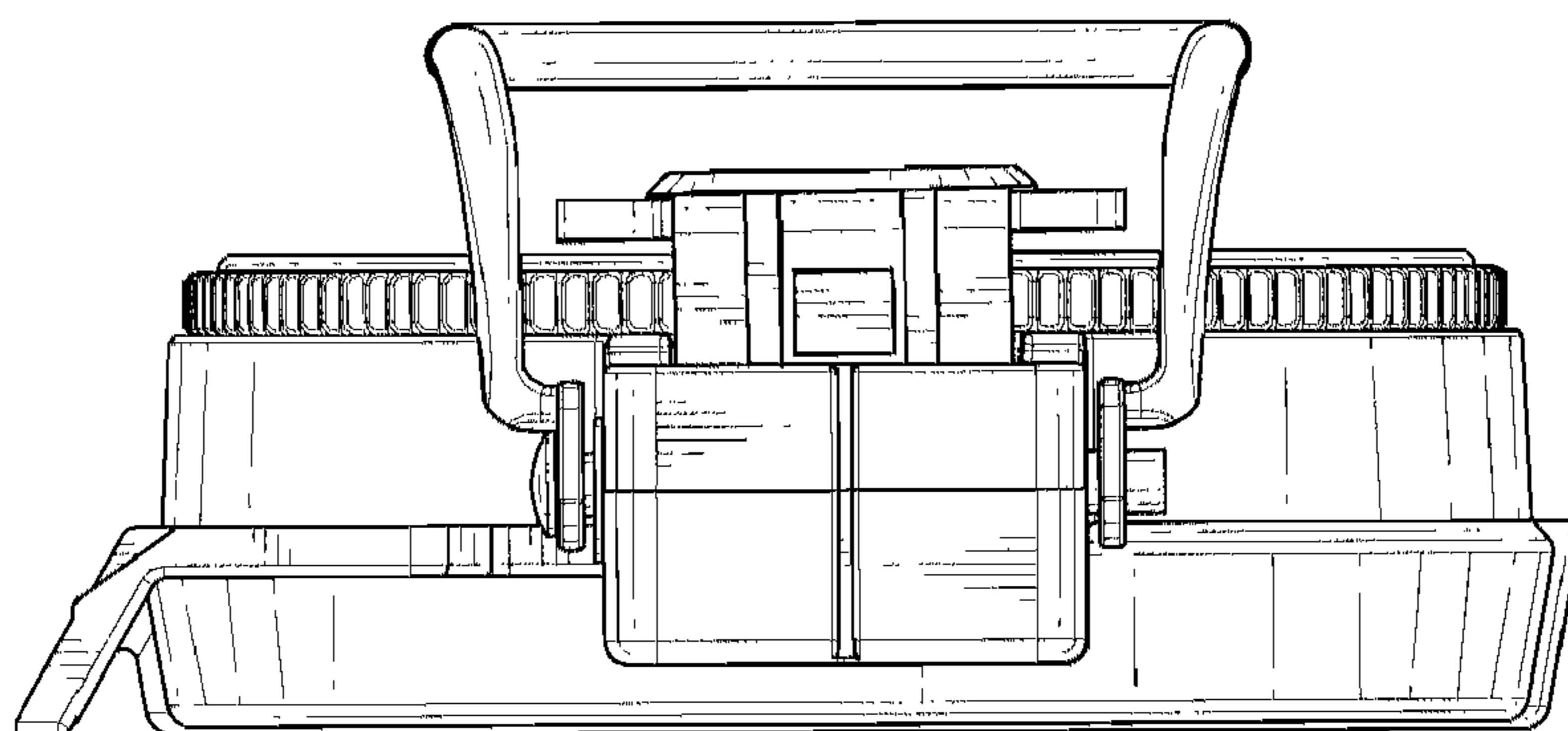


FIG. 5

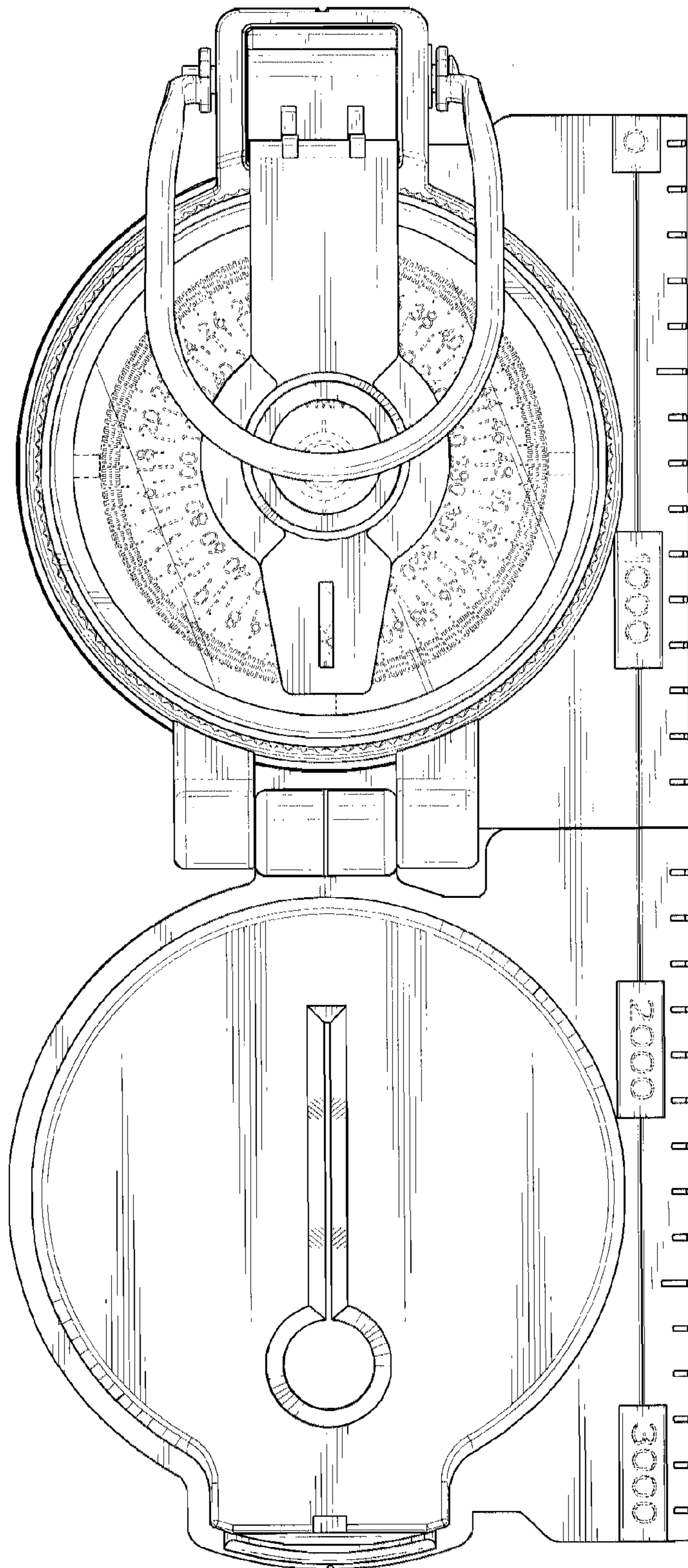


FIG. 6

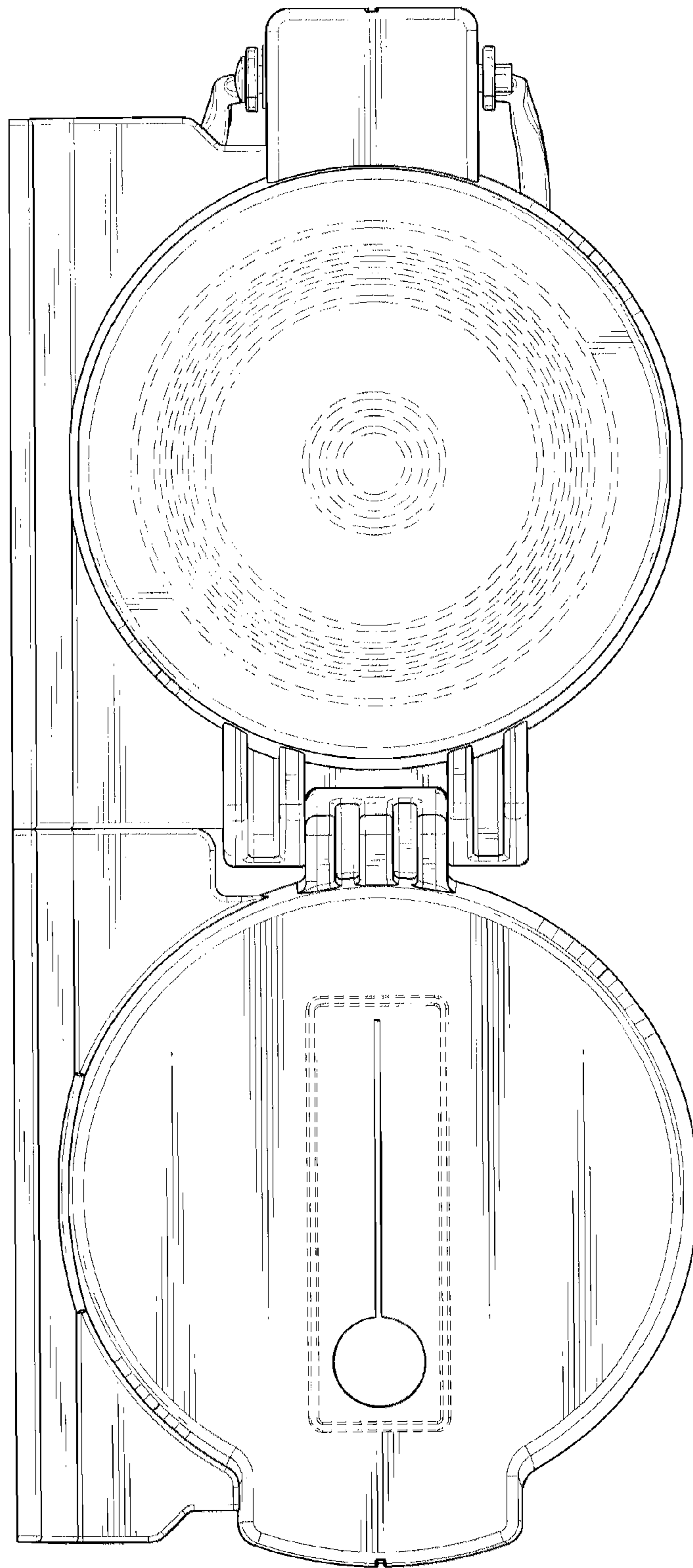


FIG. 7

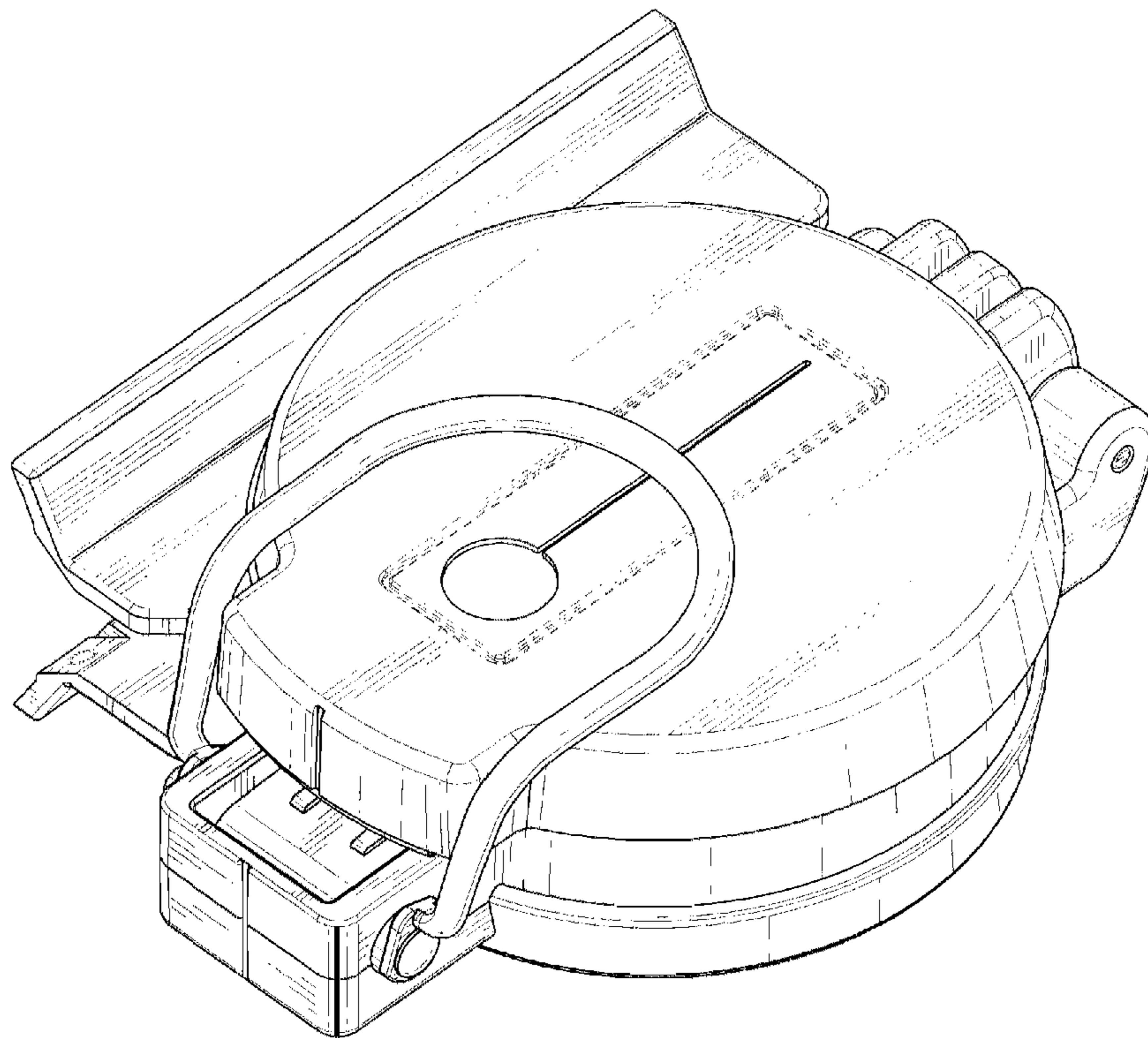


FIG. 8