



US00D674294S

(12) **United States Design Patent**
Vaptzarof

(10) **Patent No.:** **US D674,294 S**
(45) **Date of Patent:** **** Jan. 15, 2013**

(54) **WATCH**

(75) Inventor: **Philippe Vaptzarof, L'Abbaye (CH)**

(73) Assignee: **HUBLLOT SA, Geneve, Geneva (CH)**

(**) Term: **14 Years**

(21) Appl. No.: **29/425,354**

(22) Filed: **Jun. 21, 2012**

(30) **Foreign Application Priority Data**

Dec. 22, 2011 (WO) DM/077 452

(51) **LOC (9) Cl.** **10-02**

(52) **U.S. Cl.** **D10/38**

(58) **Field of Classification Search** D10/30-39,
D10/122-132; 368/276, 281, 282, 223, 228,
368/232, 294, 295

See application file for complete search history.

(56) **References Cited**

U.S. PATENT DOCUMENTS

D315,104 S *	3/1991	Sugano	D10/30
D323,623 S *	2/1992	Wakamatsu	D10/38
D327,656 S *	7/1992	Sugita et al.	D10/38
D331,707 S *	12/1992	Iwata	D10/39
D346,974 S *	5/1994	Houlihan	D10/38

D377,315 S *	1/1997	Moriai et al.	D10/38
D401,163 S *	11/1998	Buchser	D10/32
D542,166 S *	5/2007	Yamamoto et al.	D10/123
D626,024 S *	10/2010	Galli	D10/126
D640,146 S *	6/2011	Tedeschi	D10/39
D642,075 S *	7/2011	Crocco	D10/39
D649,481 S *	11/2011	Crocco	D10/39
D653,565 S *	2/2012	Hegi	D10/38
D658,511 S *	5/2012	Wai Kei	D10/32

* cited by examiner

Primary Examiner — Lucy Lieberman

(74) *Attorney, Agent, or Firm* — Sughrue Mion, PLLC

(57) **CLAIM**

The ornamental design for a watch, as shown and described.

DESCRIPTION

FIG. 1 is a perspective view of the front and right side of a watch showing my new design;

FIG. 2 is a front elevational view thereof;

FIG. 3 is a rear elevational view thereof;

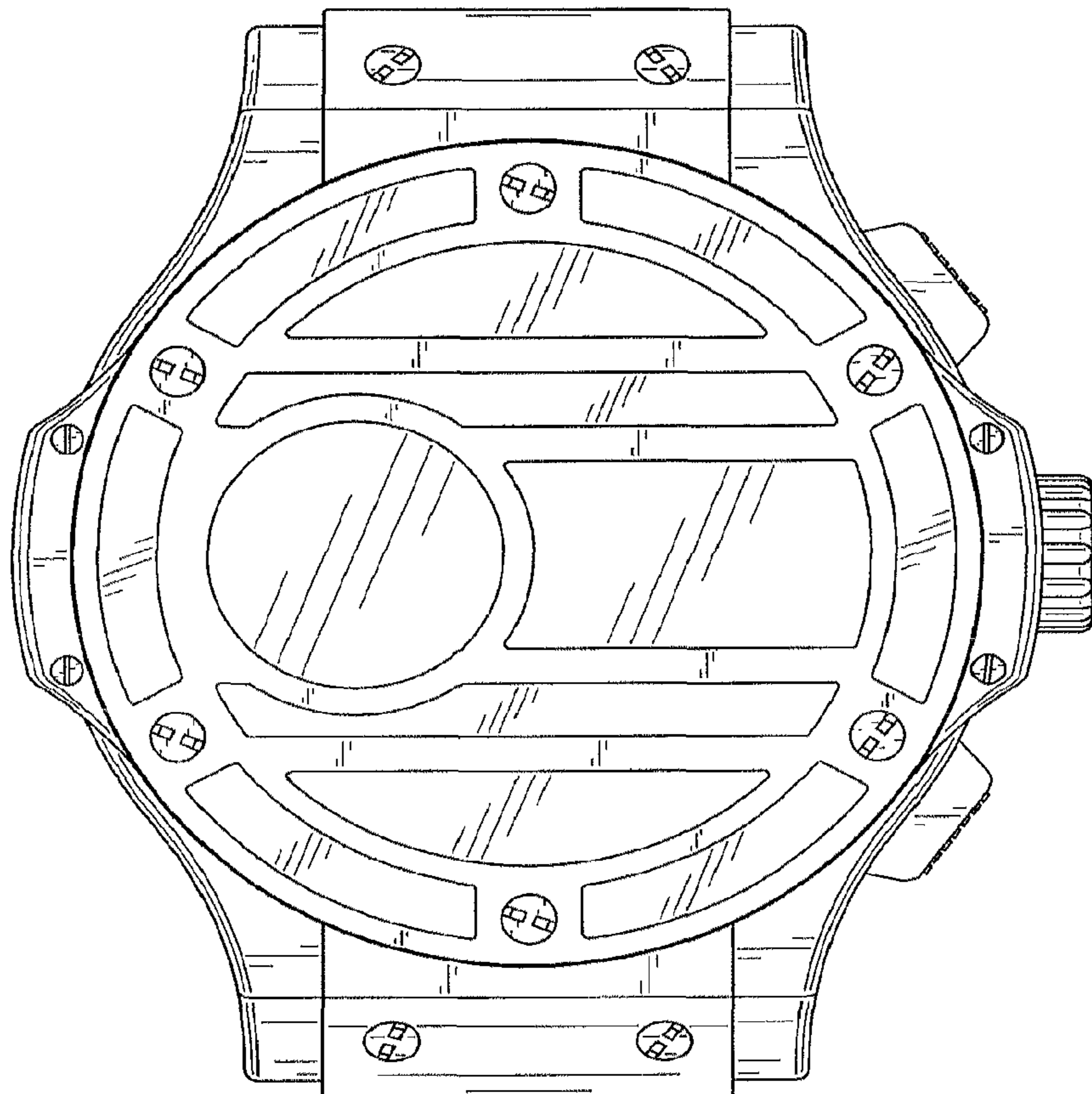
FIG. 4 is a left side elevational view thereof;

FIG. 5 is a right side elevational view thereof;

FIG. 6 is a top plan view thereof; and,

FIG. 7 is a bottom plan view thereof.

1 Claim, 5 Drawing Sheets



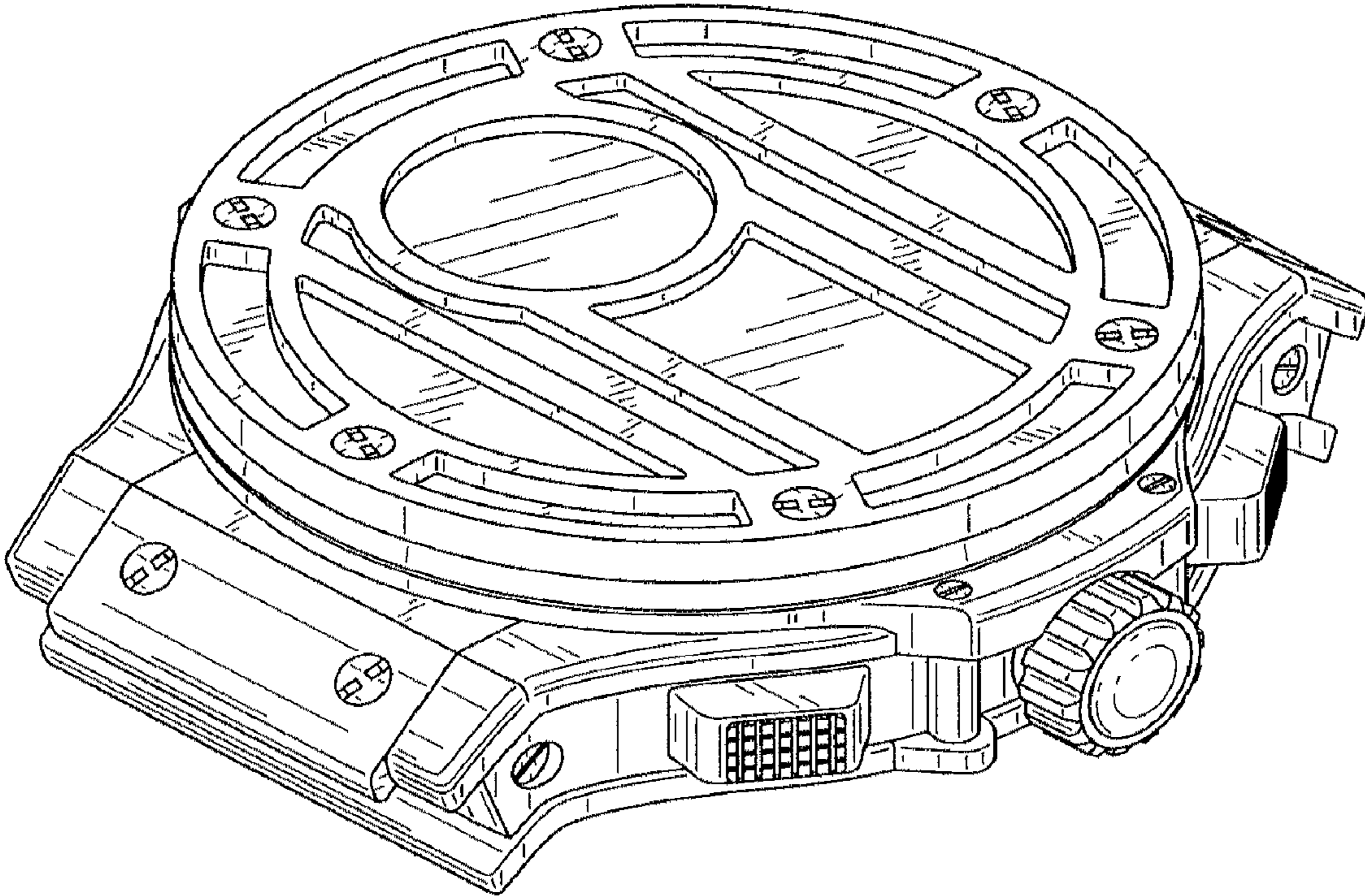


FIG. 1

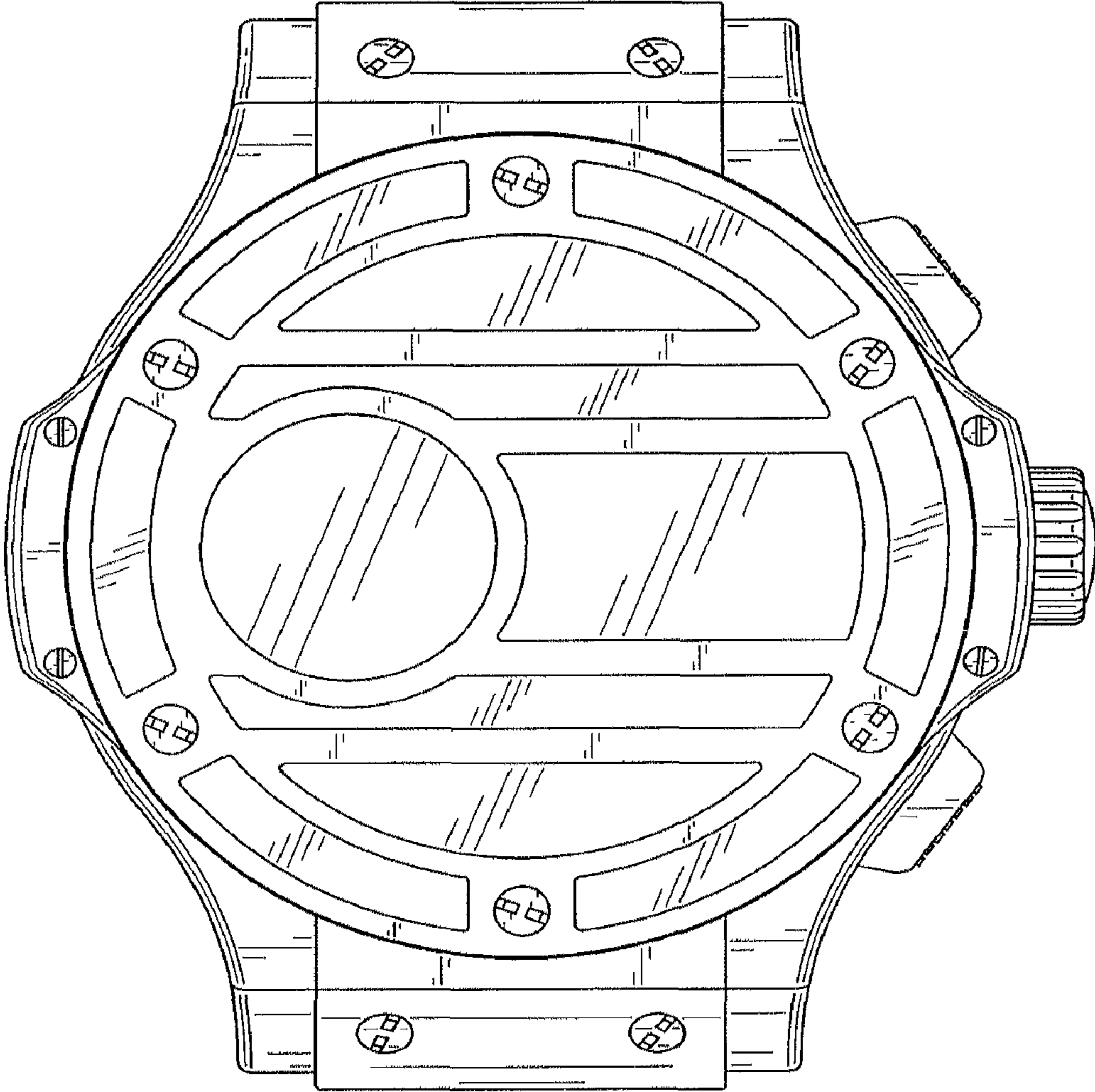


FIG. 2

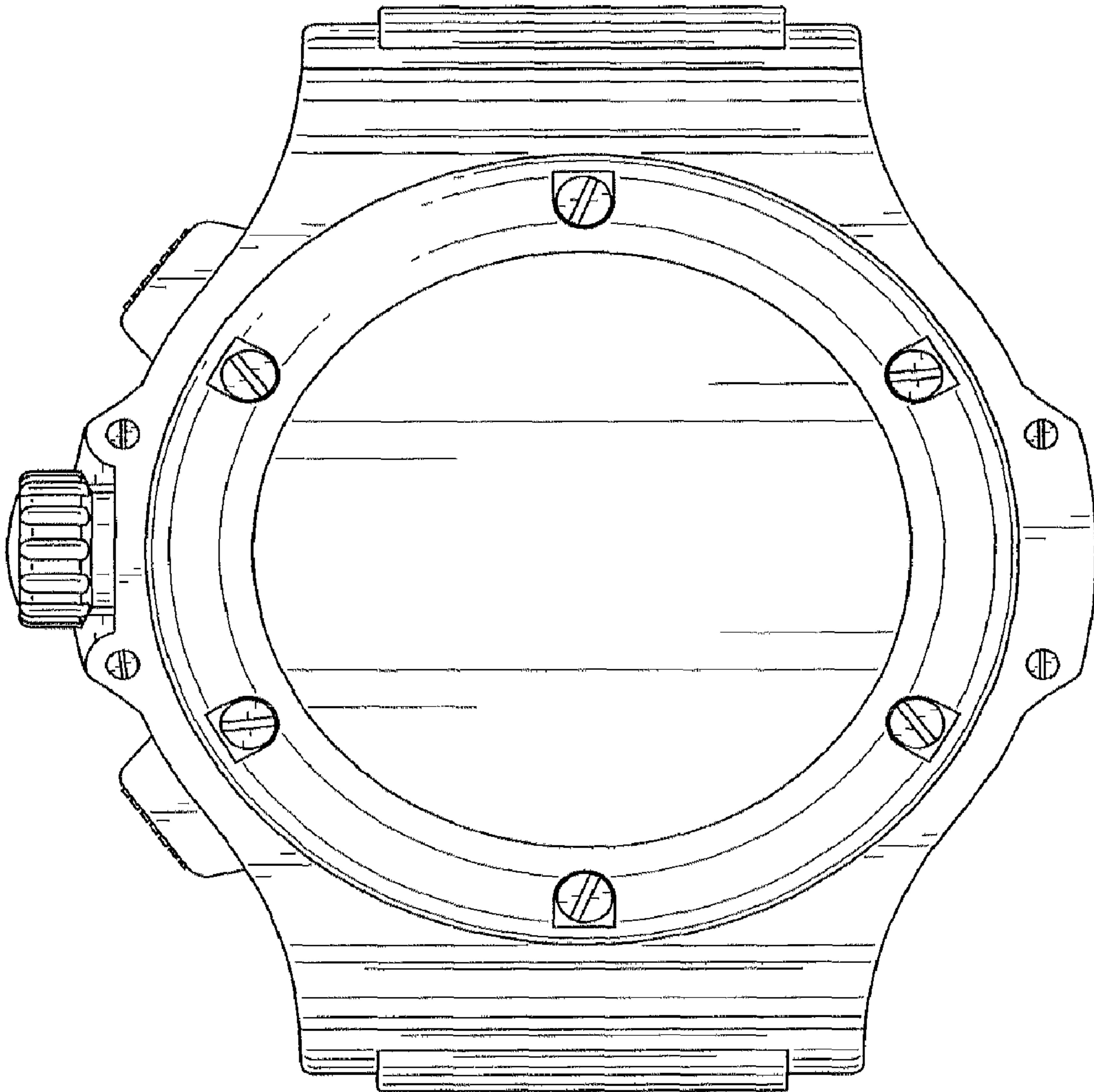


FIG. 3

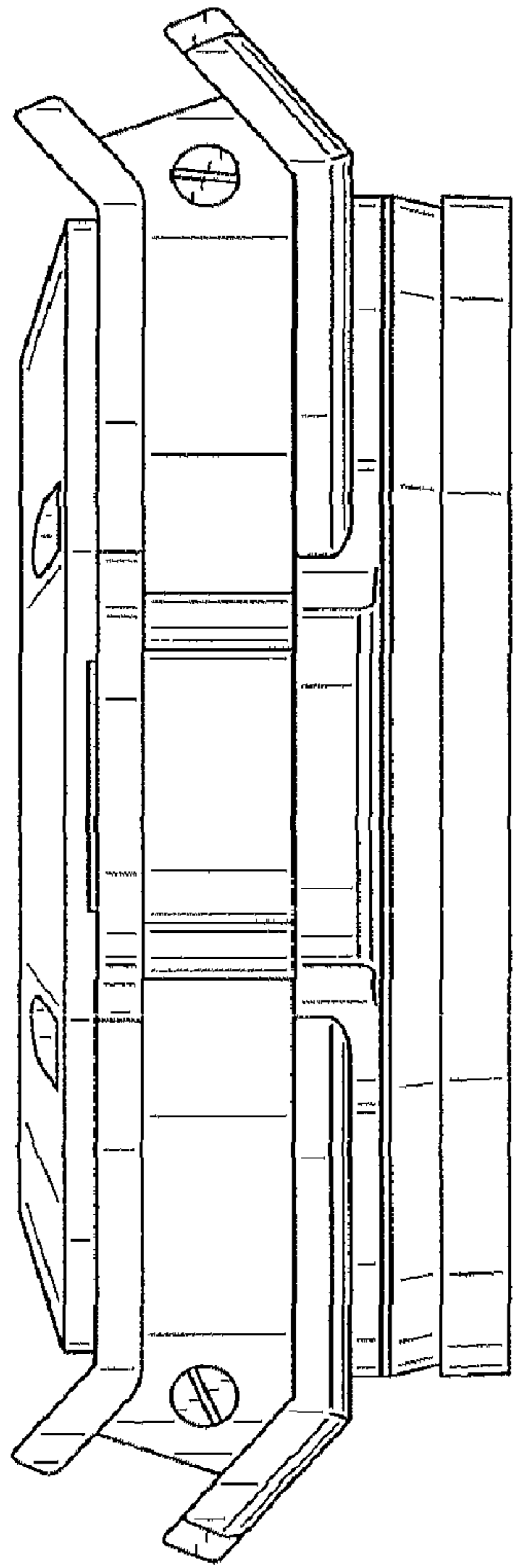


FIG. 4

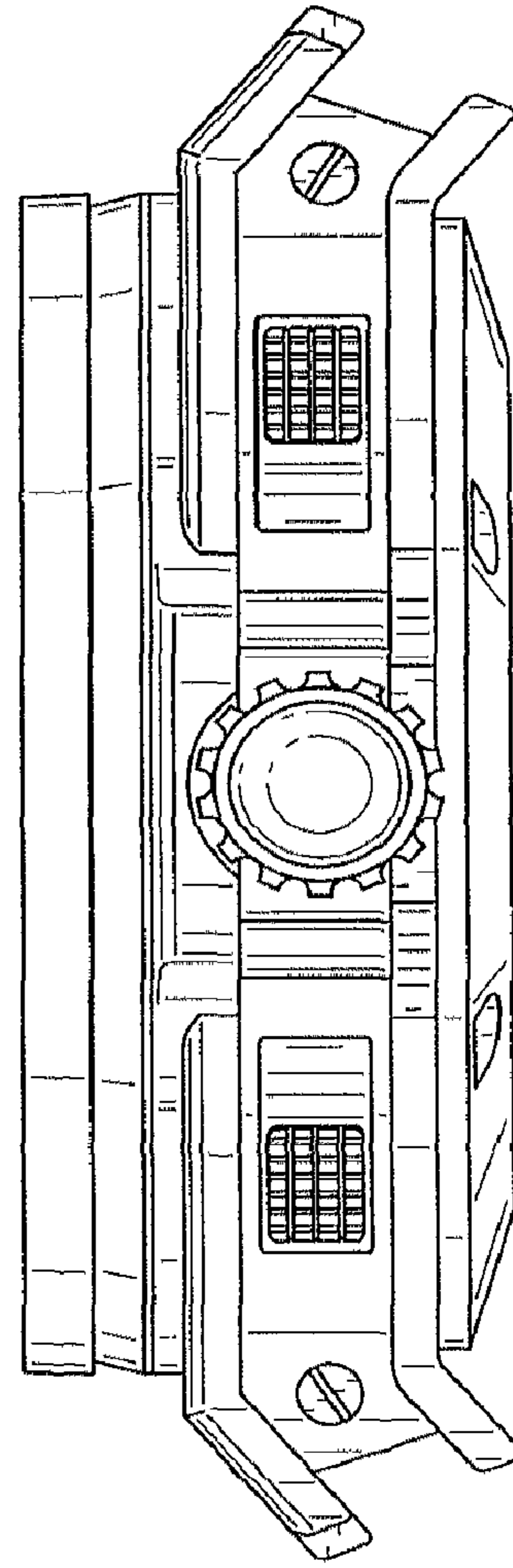


FIG. 5

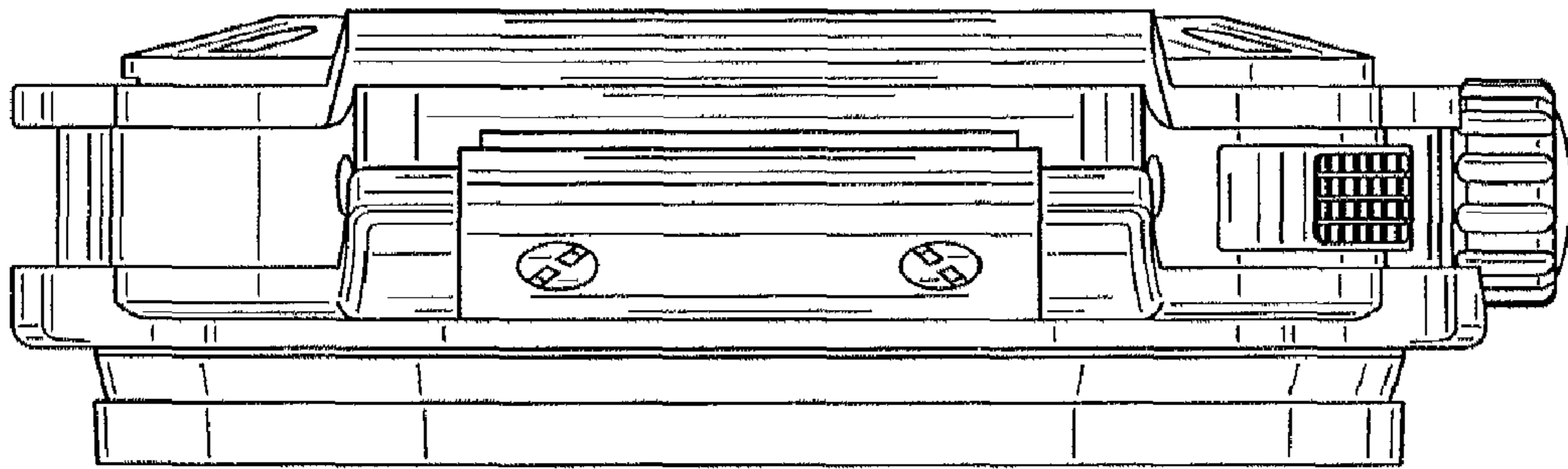


FIG. 6

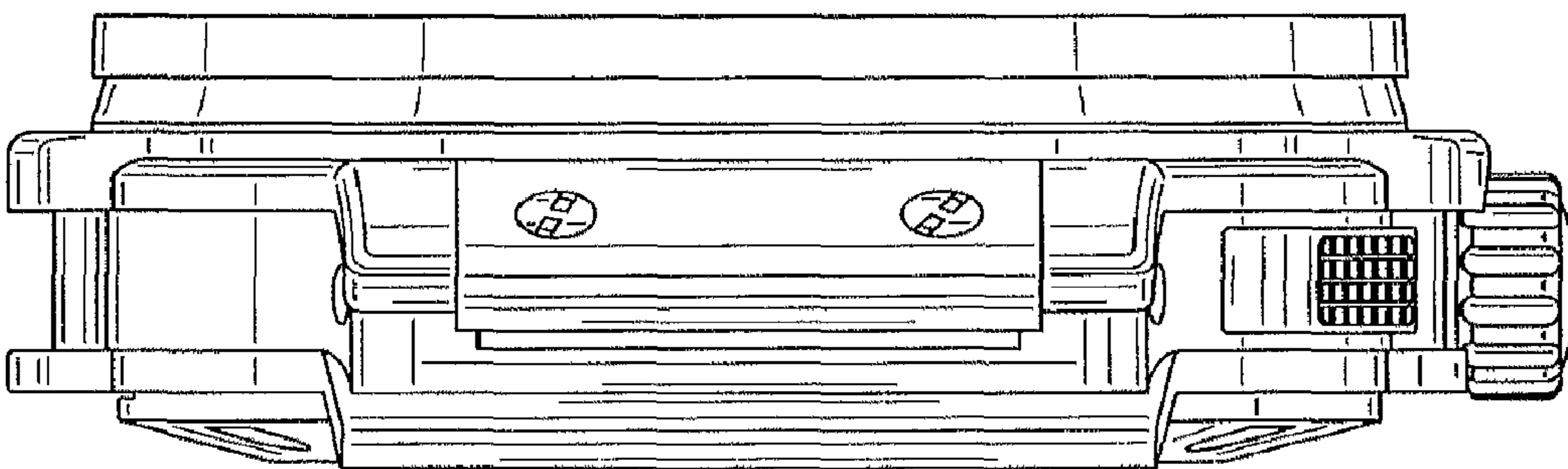


FIG. 7