



US00D674292S

(12) **United States Design Patent**
Klich et al.

(10) **Patent No.:** **US D674,292 S**
(45) **Date of Patent:** **** Jan. 15, 2013**

(54) **COLD CUT SAVER**

(76) Inventors: **Stacey Klich**, Laurence Harbor, NJ
(US); **Robert Vaccaro**, Laurence Harbor,
NJ (US)

(**) Term: **14 Years**

(21) Appl. No.: **29/366,426**

(22) Filed: **Jul. 24, 2010**

(51) **LOC (9) Cl.** **09-03**

(52) **U.S. Cl.** **D9/761; D19/27**

(58) **Field of Classification Search** D9/420,
D9/414, 761, 737; D3/299; D19/26, 27;
281/15.1, 21.1, 45; 402/4, 60, 70, 73, 76,
402/80 R

See application file for complete search history.

(56) **References Cited**

U.S. PATENT DOCUMENTS

D273,796	S	*	5/1984	Milden	D19/27
4,518,275	A	*	5/1985	Rauch et al.	402/80 P
D293,335	S	*	12/1987	Egly	D19/27
4,753,351	A		6/1988	Guillin		
4,848,948	A	*	7/1989	Pitts	402/29
D316,108	S	*	4/1991	Gerriet	D19/26
D317,977	S	*	7/1991	Felkner et al.	D3/299
D327,909	S	*	7/1992	Fickenscher et al.	D19/27
D334,592	S	*	4/1993	Nghi	D19/27
5,204,130	A		4/1993	McDevitt		
D341,374	S	*	11/1993	Ferranti et al.	D19/27

D341,625	S	*	11/1993	Ros	D19/86
5,395,632	A		3/1995	Lawless		
5,725,251	A	*	3/1998	Heggeland	281/48
D414,801	S	*	10/1999	Karten et al.	D19/27
D417,696	S	*	12/1999	Doyle	D19/27
6,267,413	B1	*	7/2001	Tran	281/29
6,299,919	B1		10/2001	Knaus		
D551,293	S	*	9/2007	McArthur, Jr.	D19/27
D591,343	S	*	4/2009	Hussy et al.	D19/27
D601,623	S	*	10/2009	Baker et al.	D19/27
2004/0062838	A1		4/2004	Castellanos		
2008/0304901	A1	*	12/2008	Seman	402/74

* cited by examiner

Primary Examiner — Mark Goodwin

(74) *Attorney, Agent, or Firm* — KB Patents; Luca D'Ottone

(57) **CLAIM**

I claim, the ornamental design for a cold cut saver, as shown and described.

DESCRIPTION

FIG. 1 is perspective front view of a cold cut saver showing my new design;

FIG. 2 is a perspective rear view thereof;

FIG. 3 is a front view thereof;

FIG. 4 is a right side view thereof;

FIG. 5 is a left side view thereof;

FIG. 6 is a top view thereof;

FIG. 7 is a rear view thereof; and,

FIG. 8 is a back view thereof.

1 Claim, 8 Drawing Sheets

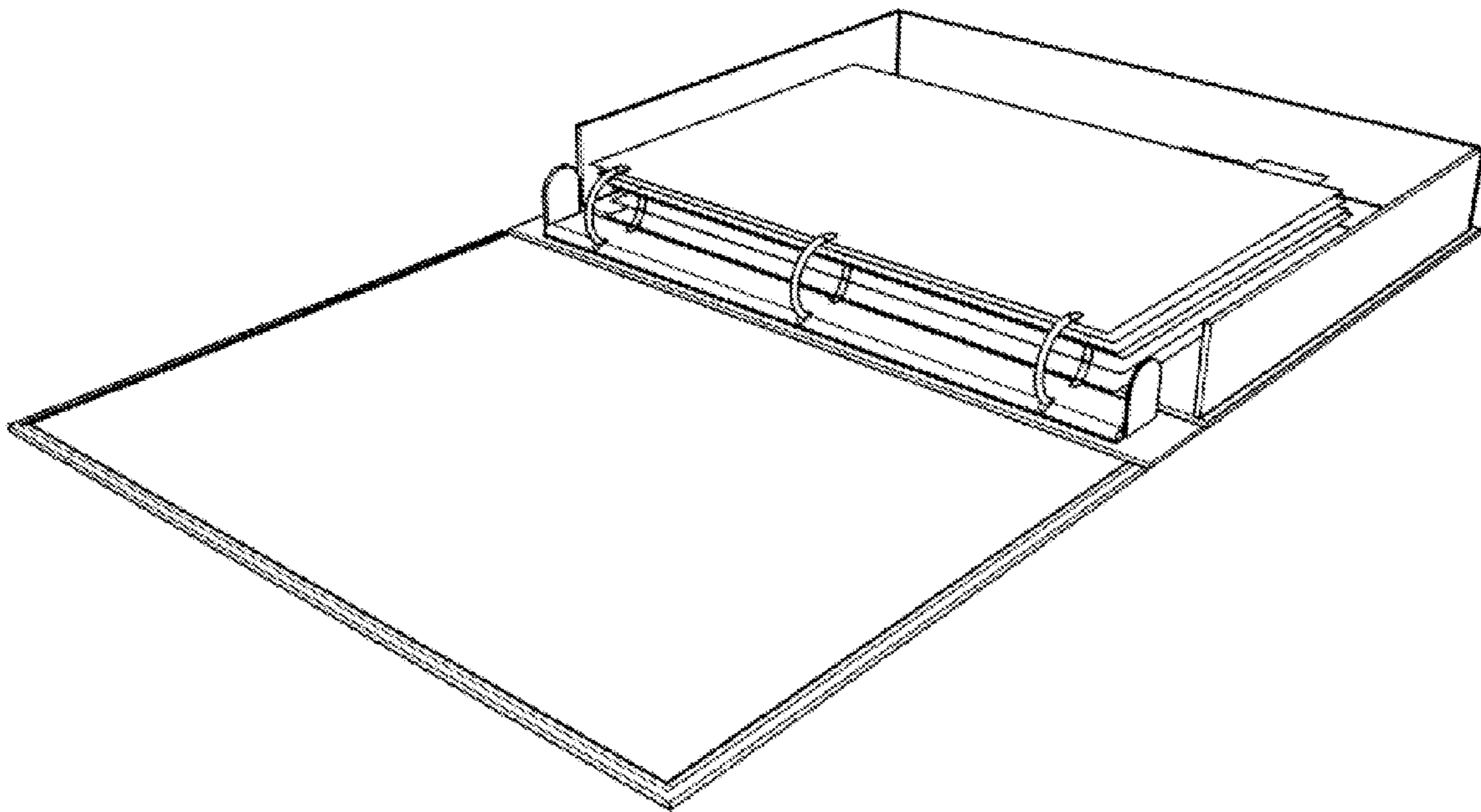


FIG. 1

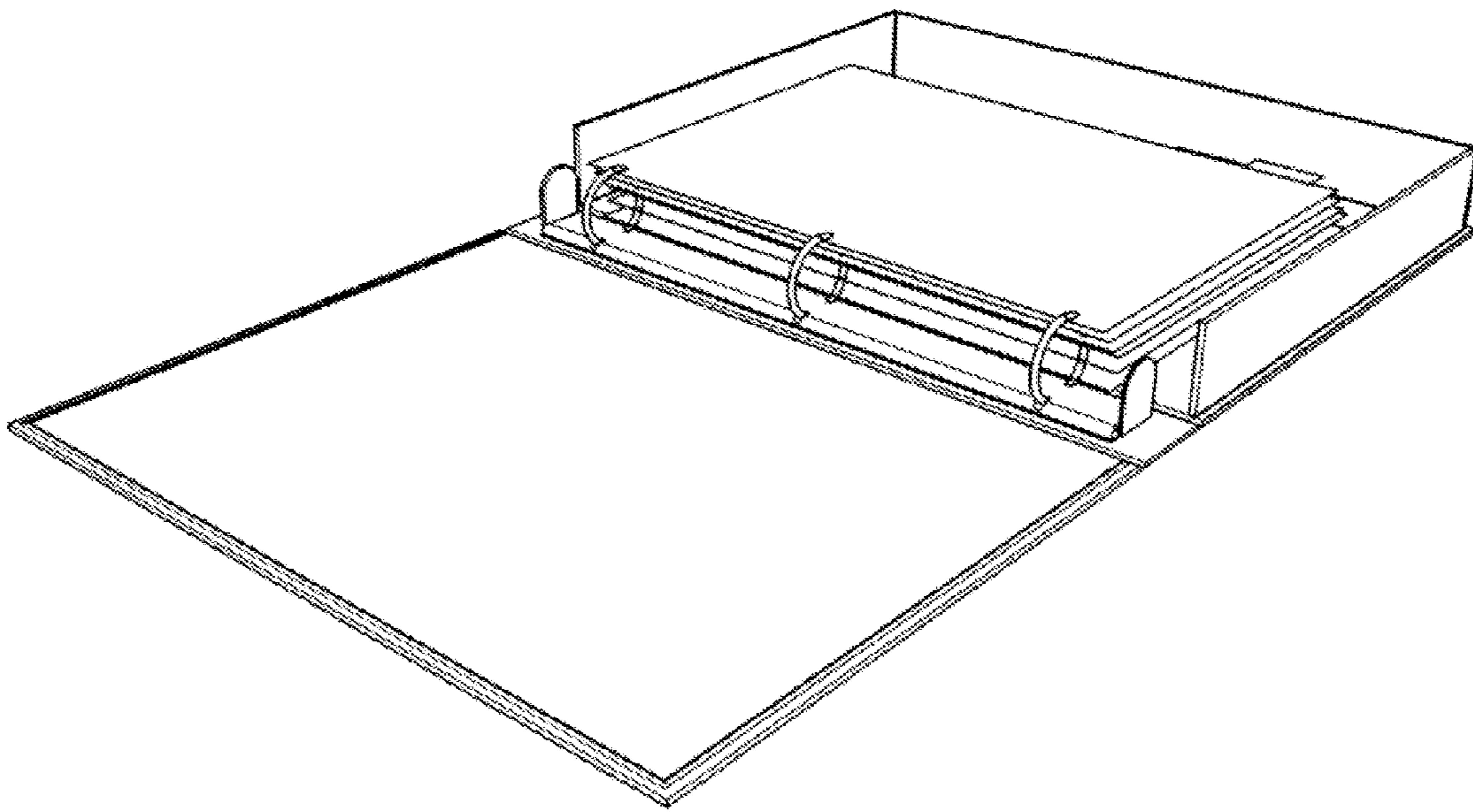


FIG. 2

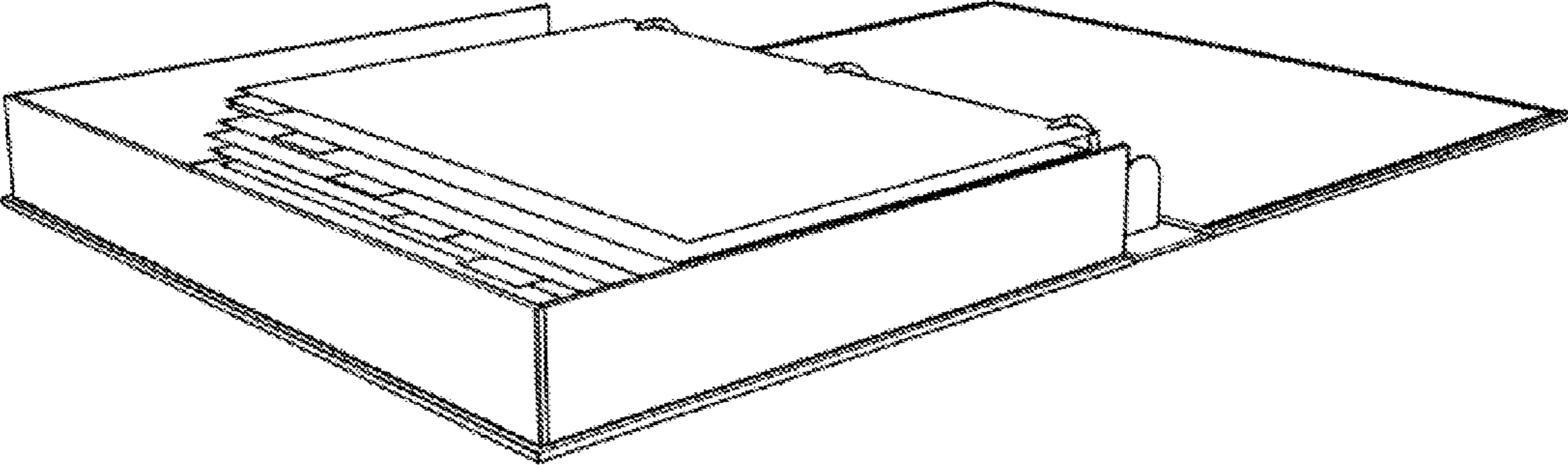


FIG. 3

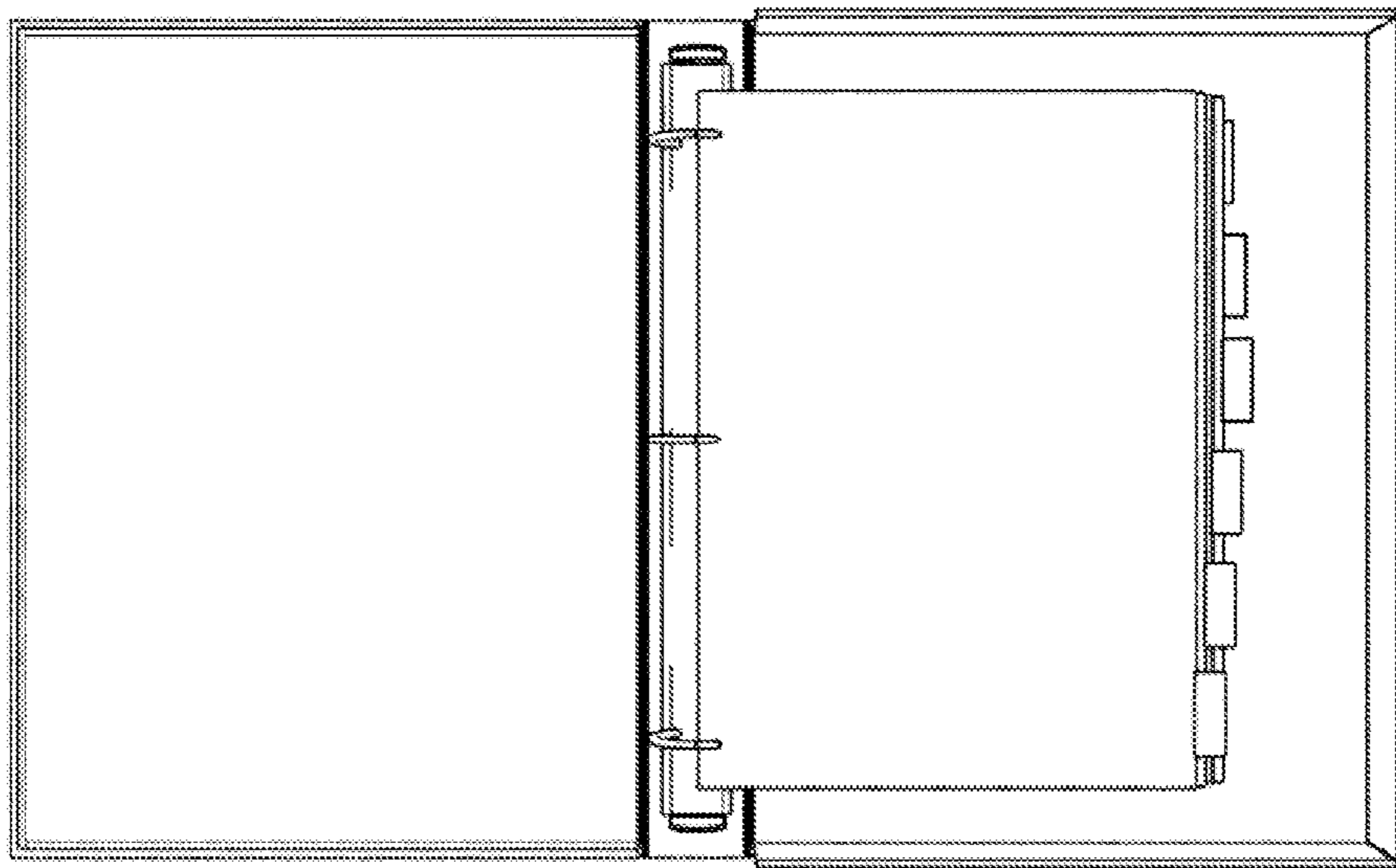


FIG. 4

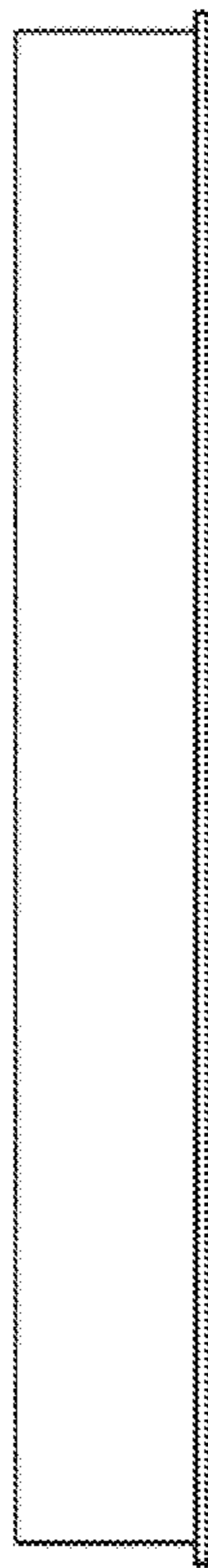


FIG. 5

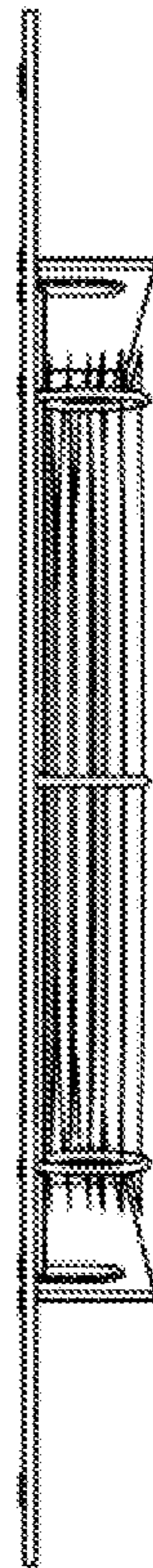


FIG. 6

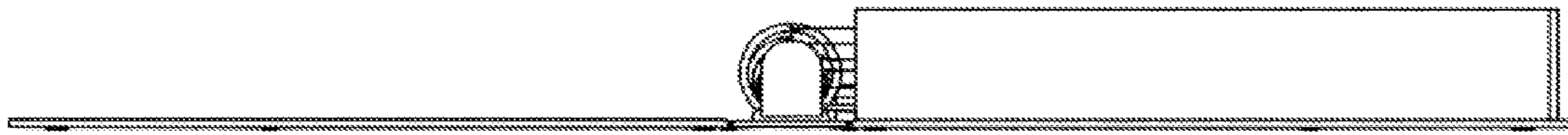


FIG. 7

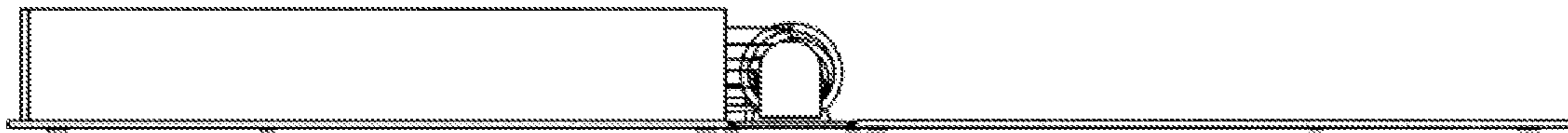


FIG. 8

