



US00D674277S

(12) **United States Design Patent**
Hanson et al.

(10) **Patent No.:** **US D674,277 S**

(45) **Date of Patent:** **** Jan. 15, 2013**

(54) **CONTAINER CAP**

(75) Inventors: **Mat Hanson**, Cleveland, OH (US);
Curtis Taylor, Chagrin Falls, OH (US)

(73) Assignee: **Magic Tap, LLC**, Cleveland, OH (US)

(**) Term: **14 Years**

(21) Appl. No.: **29/429,524**

(22) Filed: **Aug. 13, 2012**

(51) **LOC (9) Cl.** **09-06**

(52) **U.S. Cl.** **D9/446; D9/453**

(58) **Field of Classification Search** D9/454,
D9/453, 449, 447, 446, 443, 440, 439, 417;
D7/396.2, 392.1; 222/556, 484; 220/837,
220/715, 259.2, 254.2-254.5; 215/306, 235,
215/236

See application file for complete search history.

(56) **References Cited**

U.S. PATENT DOCUMENTS

D364,810 S * 12/1995 Meisner D9/446
D404,646 S * 1/1999 Black et al. D9/446
D471,456 S * 3/2003 Young et al. D9/447

D475,923 S * 6/2003 Renz D9/446
D514,446 S * 2/2006 Choi D9/449
D561,587 S * 2/2008 Lin D9/453
D578,889 S * 10/2008 Sadiq D9/453

* cited by examiner

Primary Examiner — Susan Bennett Hattan

(74) *Attorney, Agent, or Firm* — Fay Sharpe LLP

(57) **CLAIM**

The ornamental design for a container cap, as shown and described.

DESCRIPTION

FIG. 1 is a perspective view of a container cap showing my new design;

FIG. 2 is a top plan view of a container cap showing my new design;

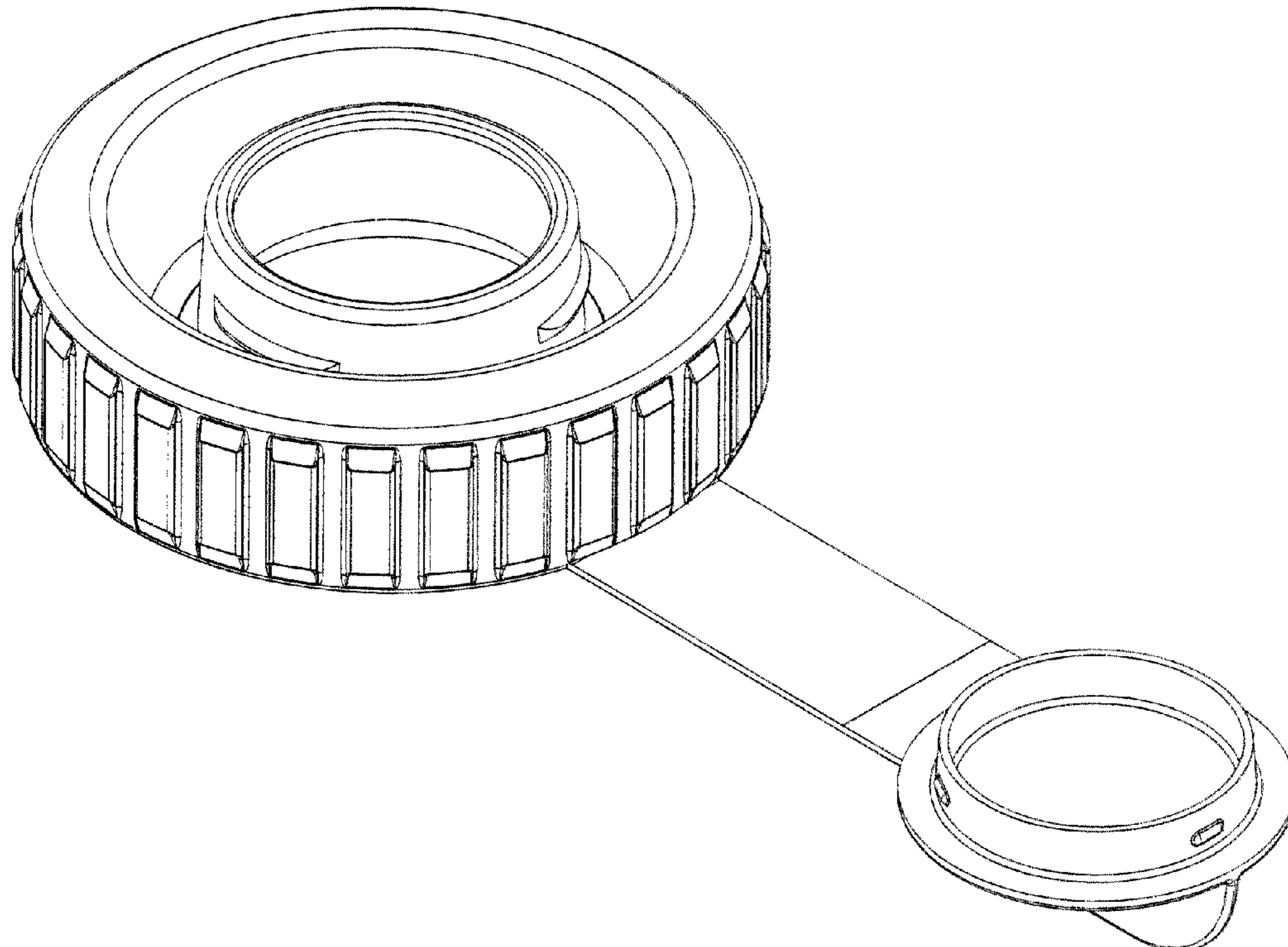
FIG. 3 is a right side view of a container cap showing my new design;

FIG. 4 is a cross-sectional view along line 4-4 of FIG. 3.

FIG. 5 is a front end view of the container cap showing my new design; and,

FIG. 6 is a bottom plan view of a container cap showing my new design.

1 Claim, 6 Drawing Sheets



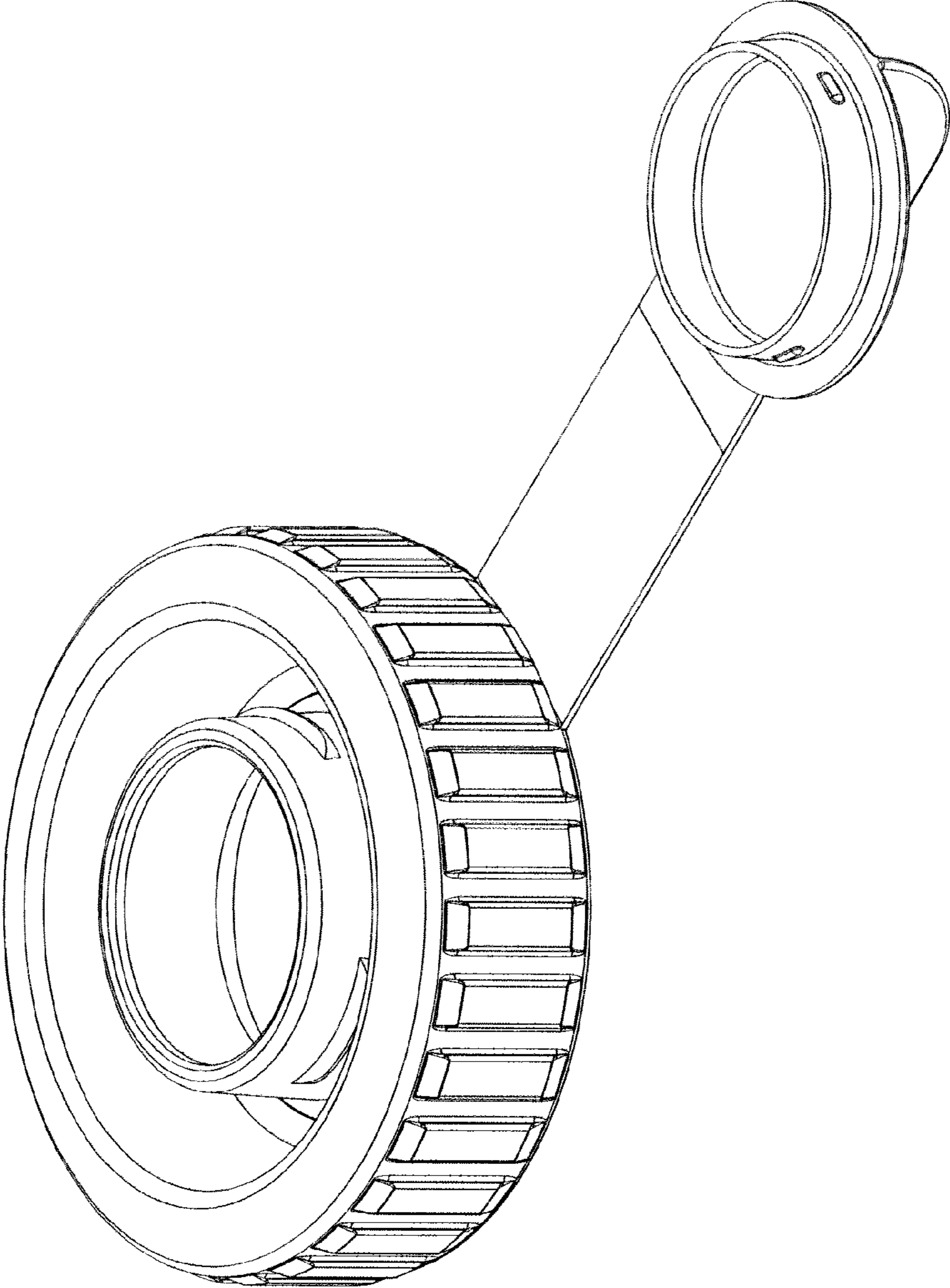


FIG. 1

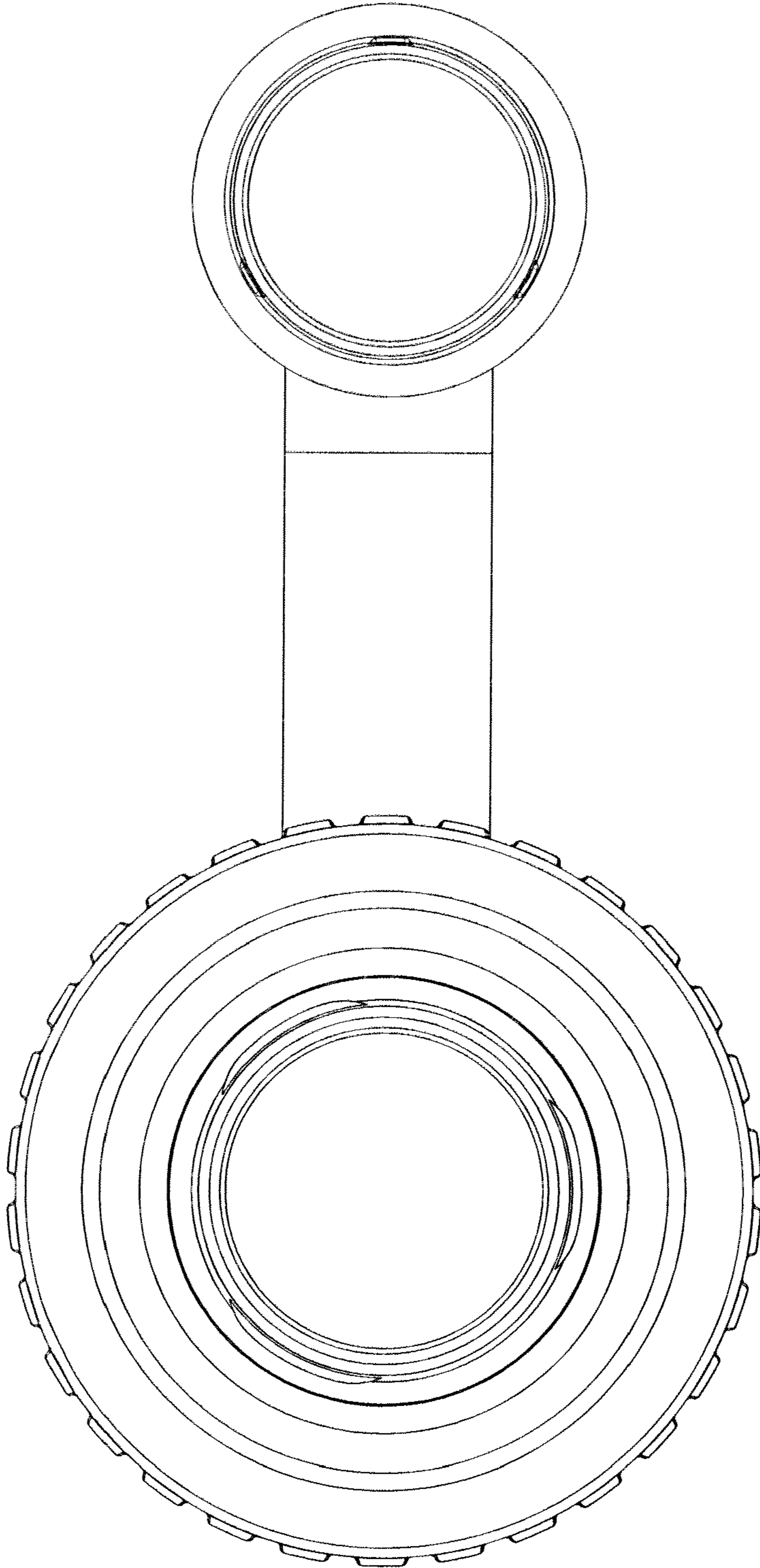


FIG. 2

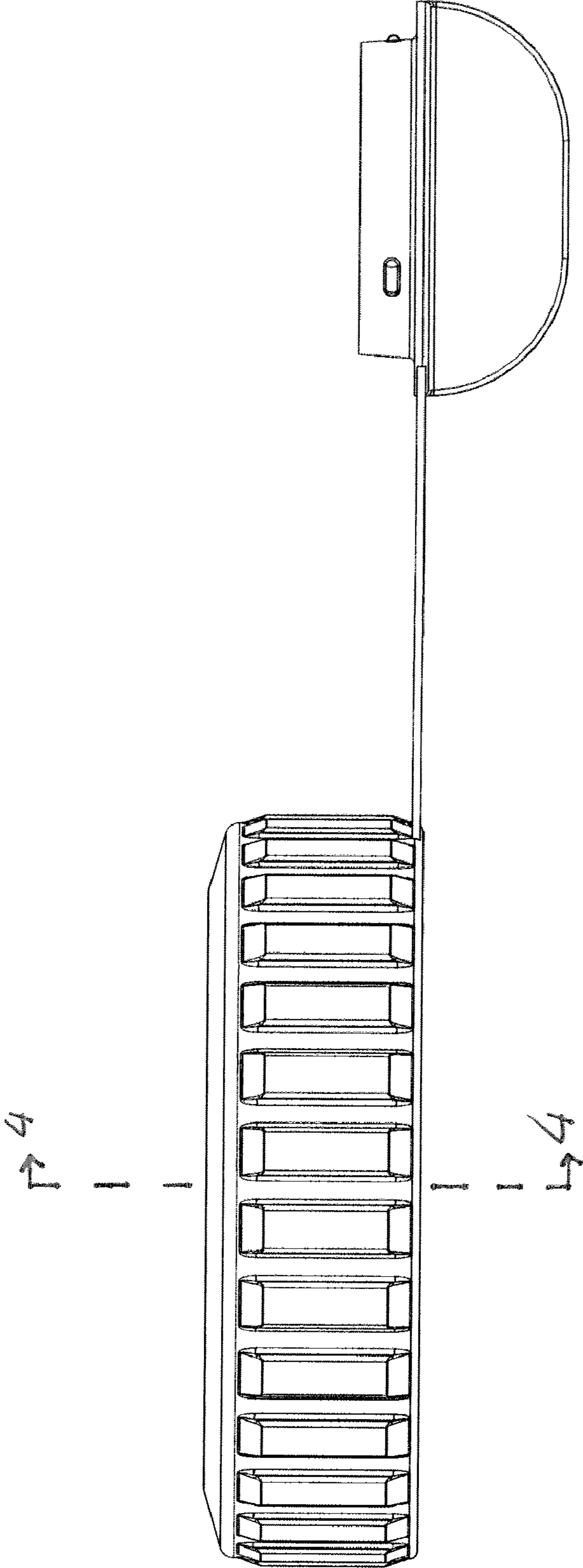


FIG. 3

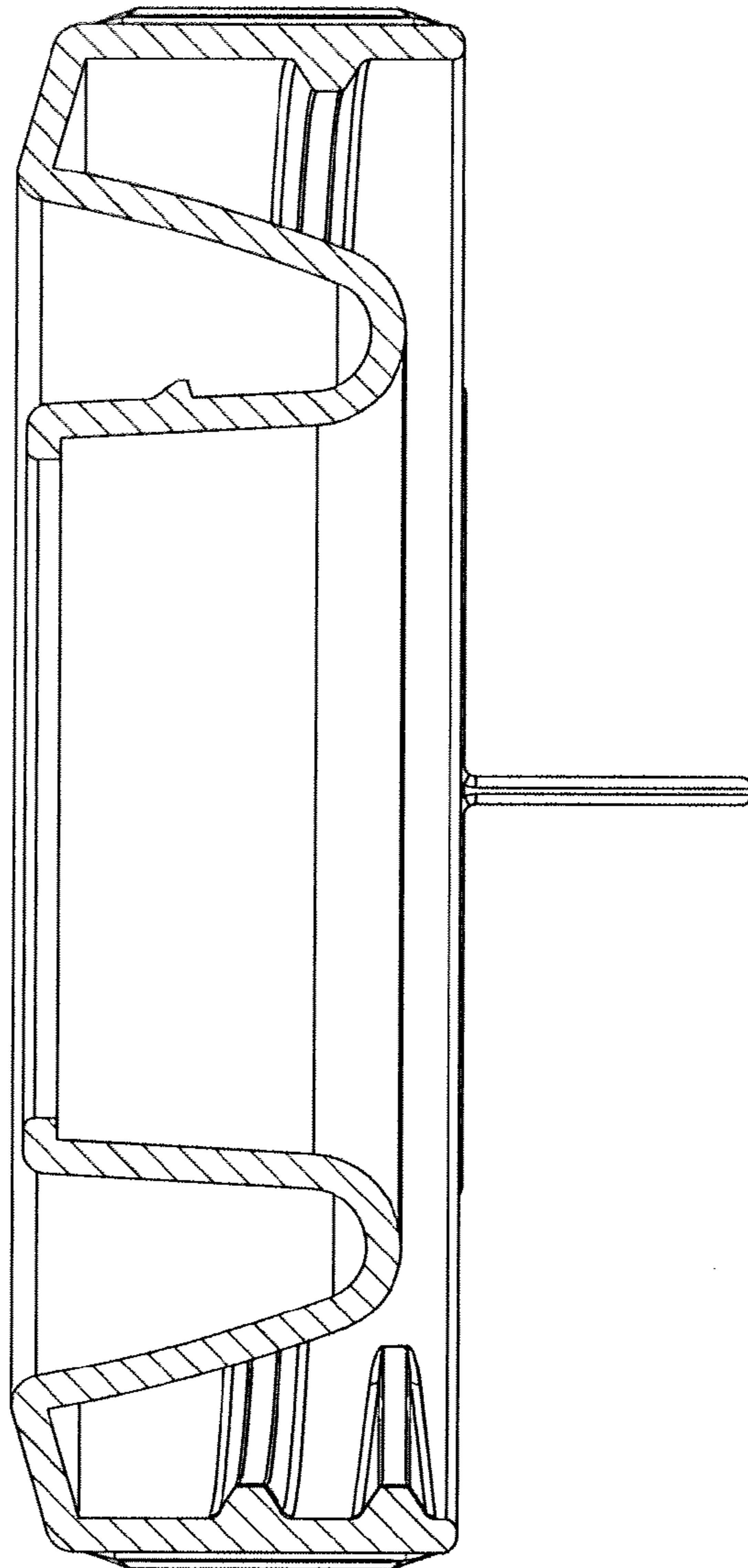


FIG. 4

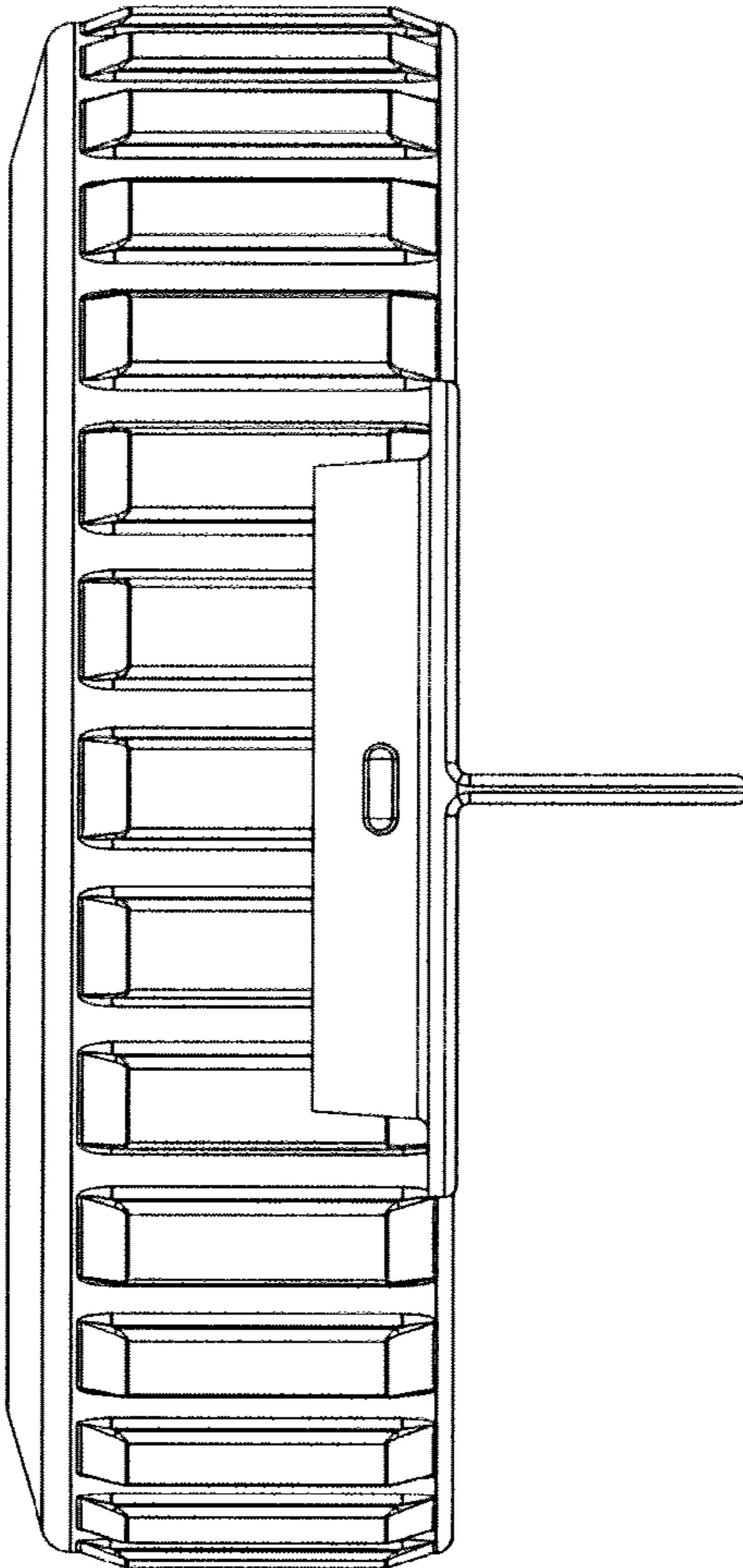


FIG. 5

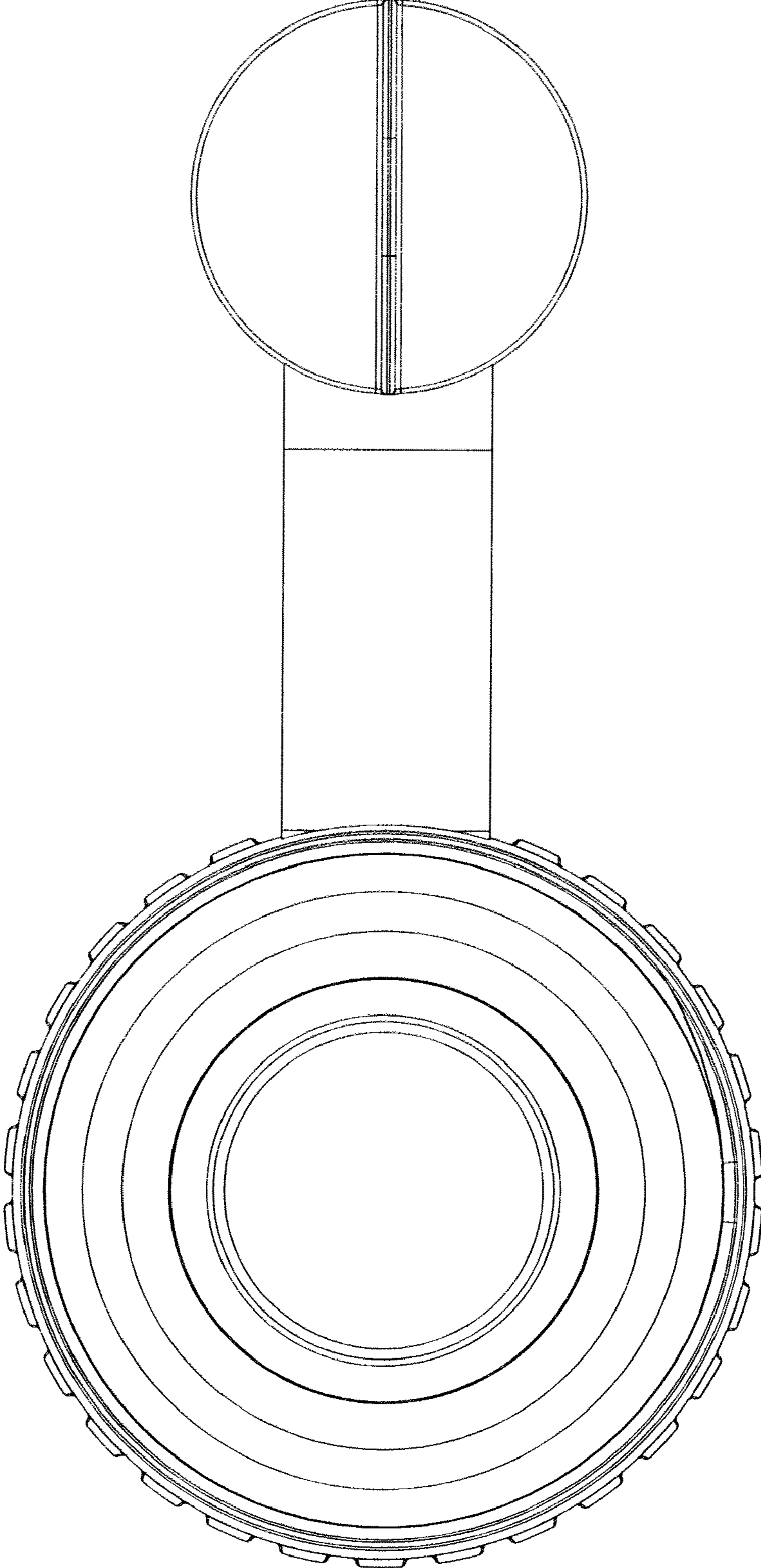


FIG. 6