



US00D674275S

(12) **United States Design Patent**
Bouveret

(10) **Patent No.:** **US D674,275 S**
(45) **Date of Patent:** **** Jan. 15, 2013**

(54) **FOOD CONTAINER**

(75) Inventor: **Nicolas Bouveret**, Mirabel (CA)

(73) Assignee: **North America I.M.L. Containers**,
Quebec (CA)

(**) Term: **14 Years**

(21) Appl. No.: **29/407,707**

(22) Filed: **Dec. 1, 2011**

(51) **LOC (9) Cl.** **09-03**

(52) **U.S. Cl.** **D9/428**

(58) **Field of Classification Search** D9/414,
D9/418, 424, 425, 428, 429, 500; D7/619,
D7/629; 229/400-406, 932, 906.1; 220/656-659,
220/669-675, 912, 4.21-4.27; 206/553,
206/557, 541, 775, 776

See application file for complete search history.

(56) **References Cited**

U.S. PATENT DOCUMENTS

D206,358	S *	11/1966	Griese	D9/428
D221,418	S *	8/1971	Kinney	D9/428
D221,625	S *	8/1971	Kinney et al.	D9/428
D369,971	S *	5/1996	Brauner et al.	D9/428
D468,200	S *	1/2003	Kim et al.	D9/428
6,604,646	B2 *	8/2003	Torniainen et al.	220/212
D649,039	S *	11/2011	Golota et al.	D9/429
2005/0189351	A1 *	9/2005	Clarke	220/212
2012/0205385	A1 *	8/2012	Crosby	220/600

* cited by examiner

Primary Examiner — Thomas Johannes

(74) *Attorney, Agent, or Firm* — Kenyon & Kenyon LLP

(57) **CLAIM**

The ornamental design for a food container, as shown and described.

DESCRIPTION

FIG. 1 is a top perspective view of a food container in accordance with a first embodiment of the present disclosure; FIG. 2 is a bottom perspective view of the food container of FIG. 1;

FIG. 3 is a top plan view of the food container of FIG. 1; FIG. 4 is a bottom plan view of the food container of FIG. 1; FIG. 5 is a front elevation view of the food container of FIG. 1, with a rear elevation view being a mirror image thereof;

FIG. 6 is a right-side elevation view of the food container of FIG. 1, a left-side elevation view being a mirror image thereof;

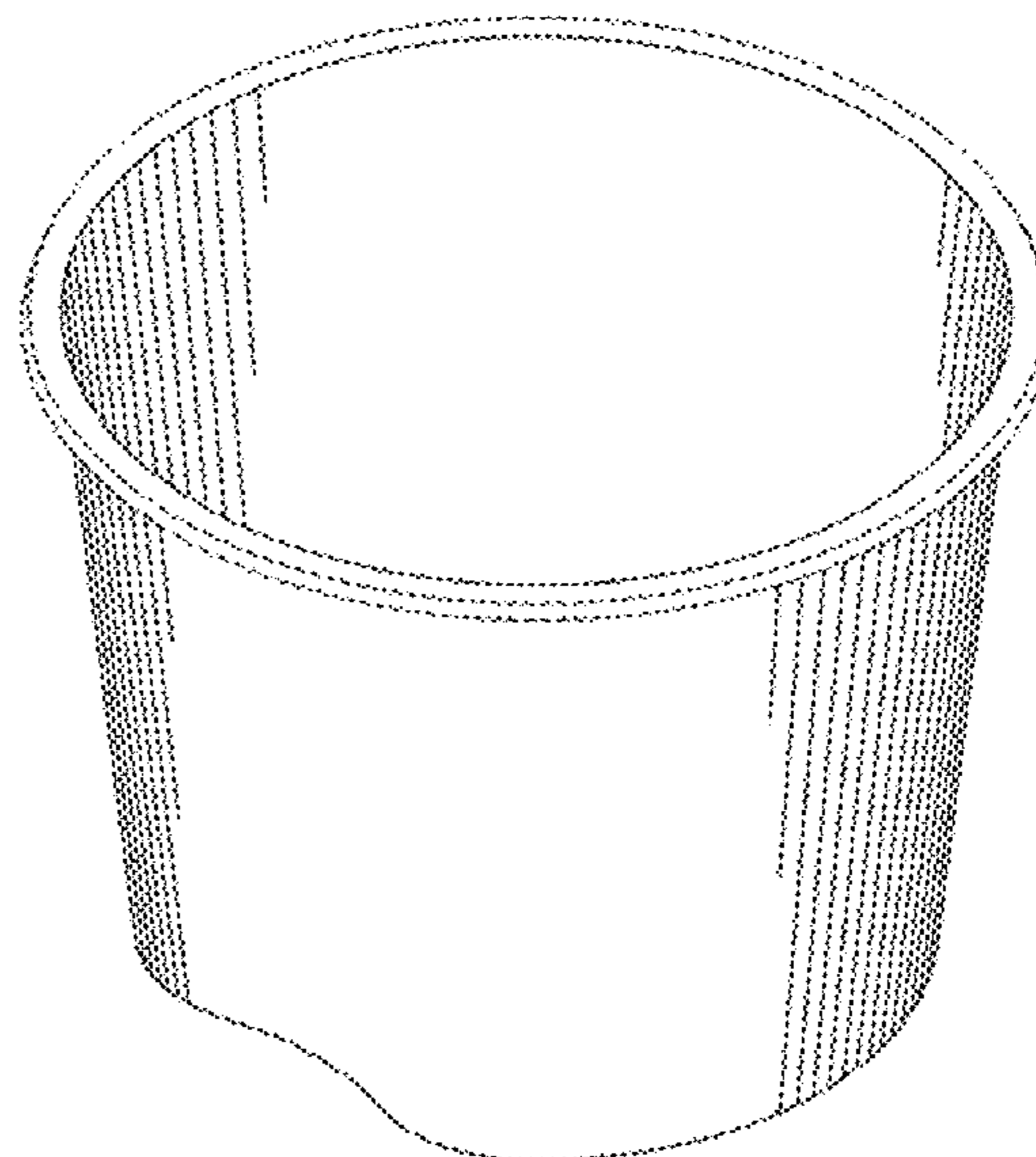
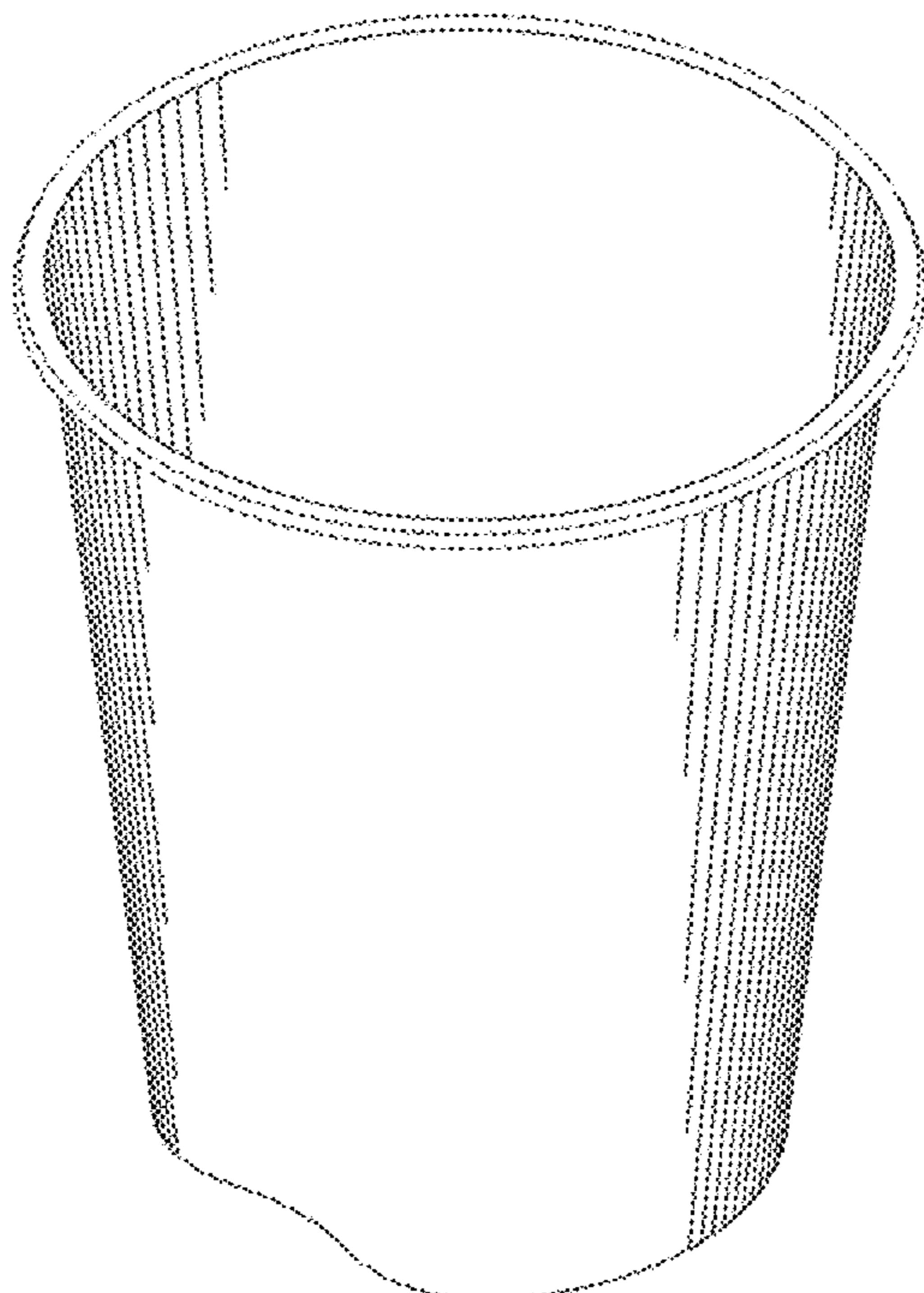
FIG. 7 is a top perspective view of a food container in accordance with a second embodiment of the present disclosure; FIG. 8 is a bottom perspective view of the food container of FIG. 7;

FIG. 9 is a top plan view of the food container of FIG. 7; FIG. 10 is a bottom plan view of the food container of FIG. 7; FIG. 11 is a front elevation view of the food container of FIG. 7, with a rear elevation view being a mirror image thereof;

and, FIG. 12 is a right-side elevation view of the food container of FIG. 7, a left-side elevation view being a mirror image thereof.

The broken lines in some figures show unclaimed subject matter only and form no part of the claimed design.

1 Claim, 12 Drawing Sheets



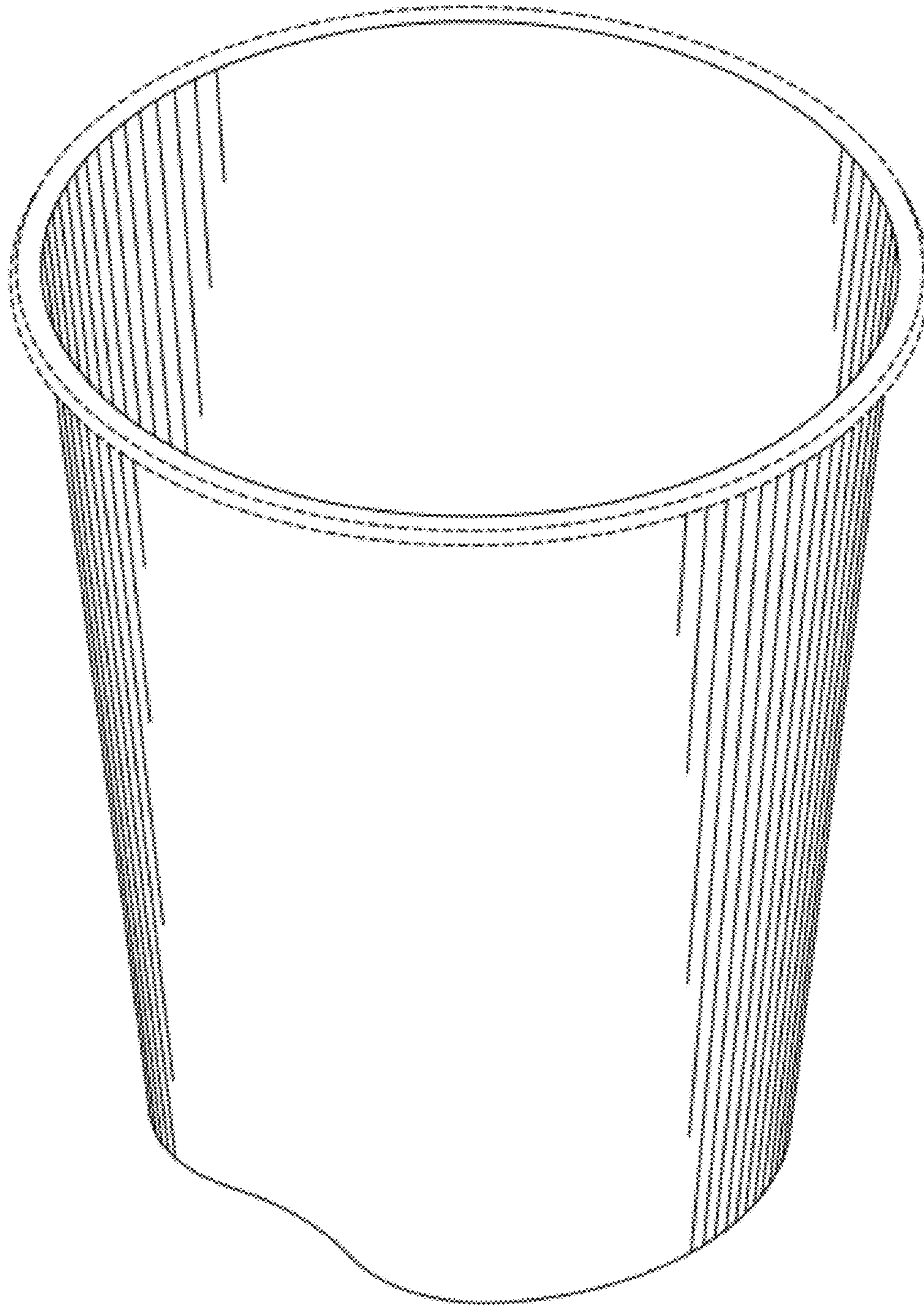


FIG. 1

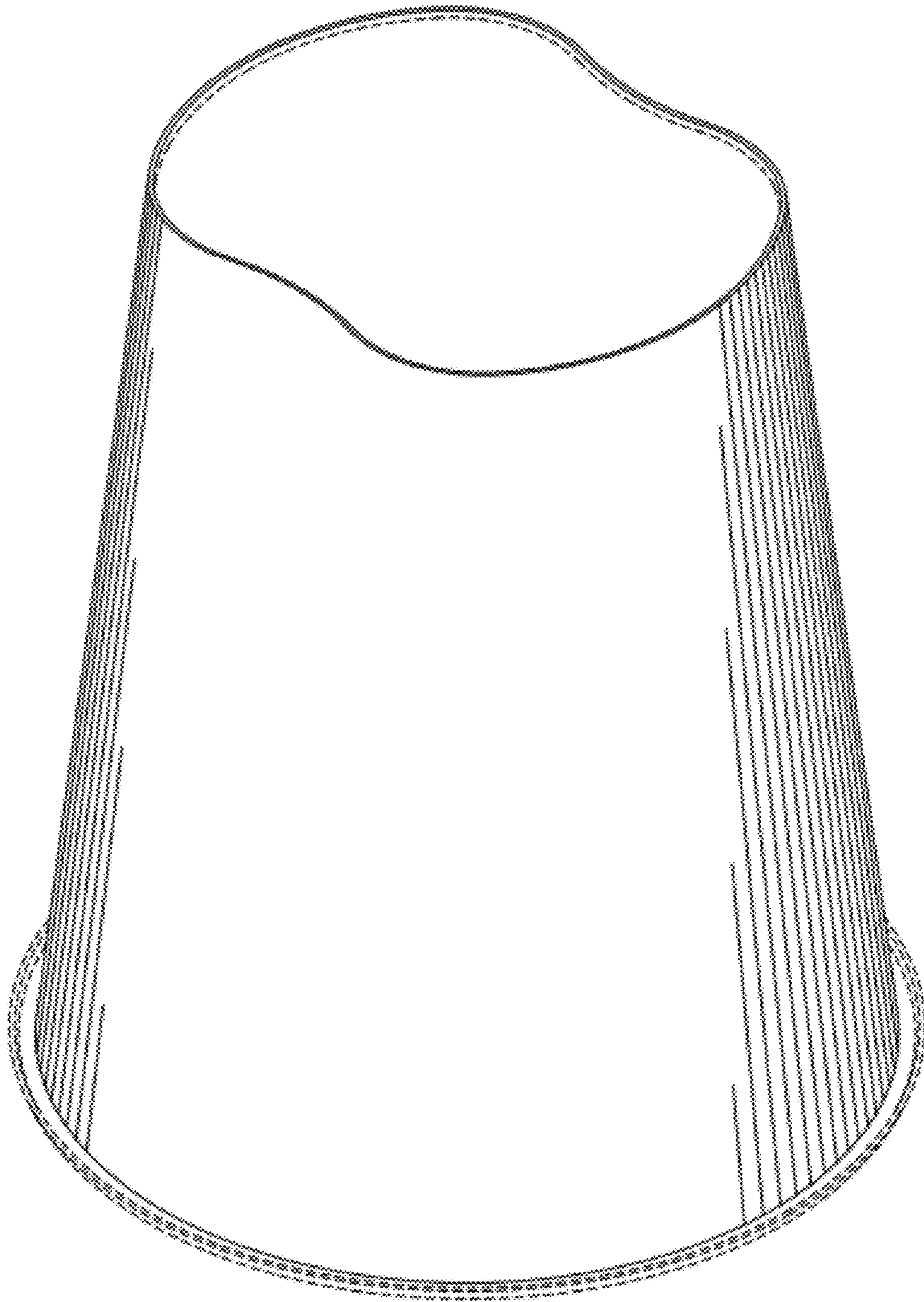


FIG. 2

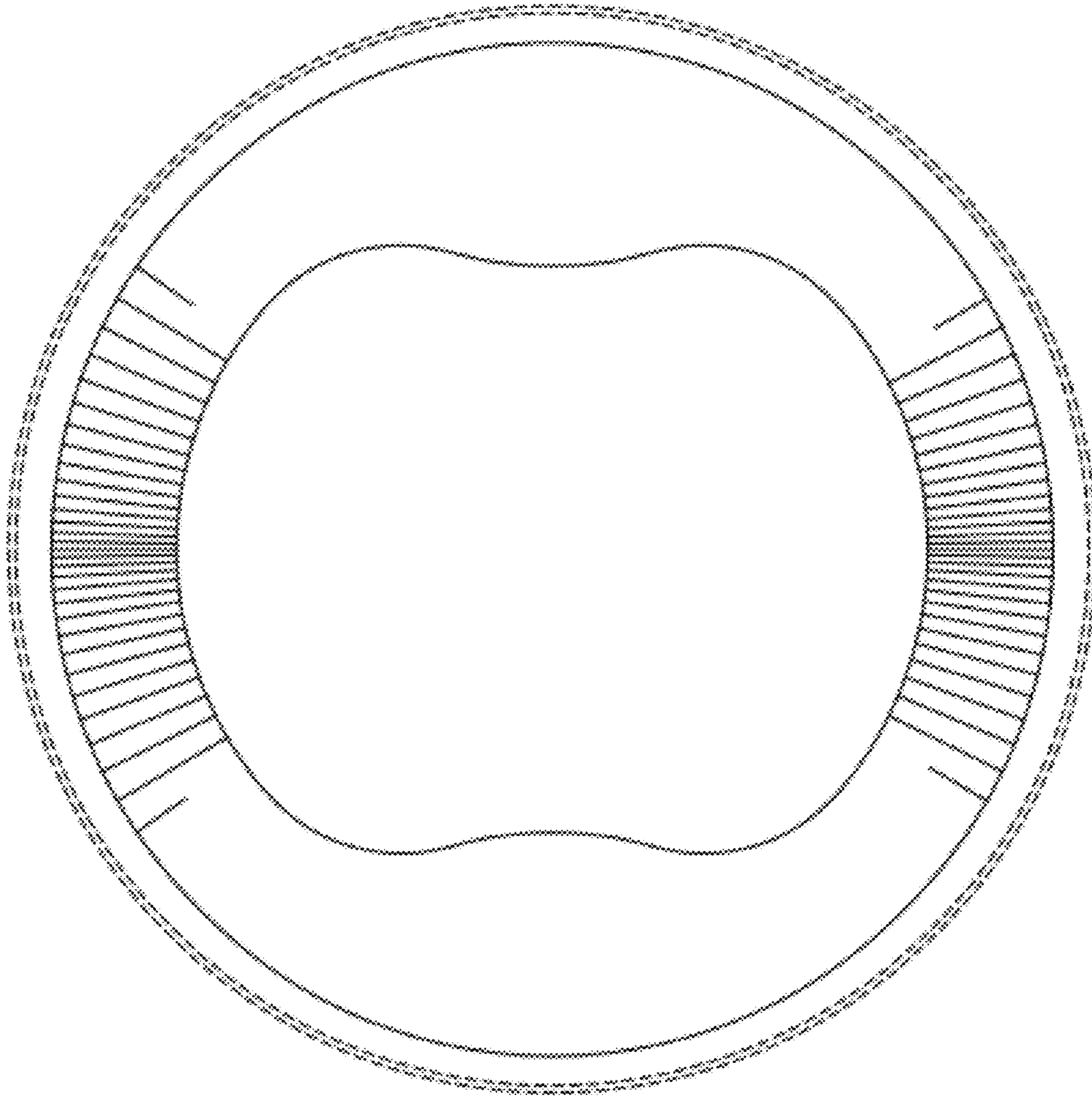


FIG. 3

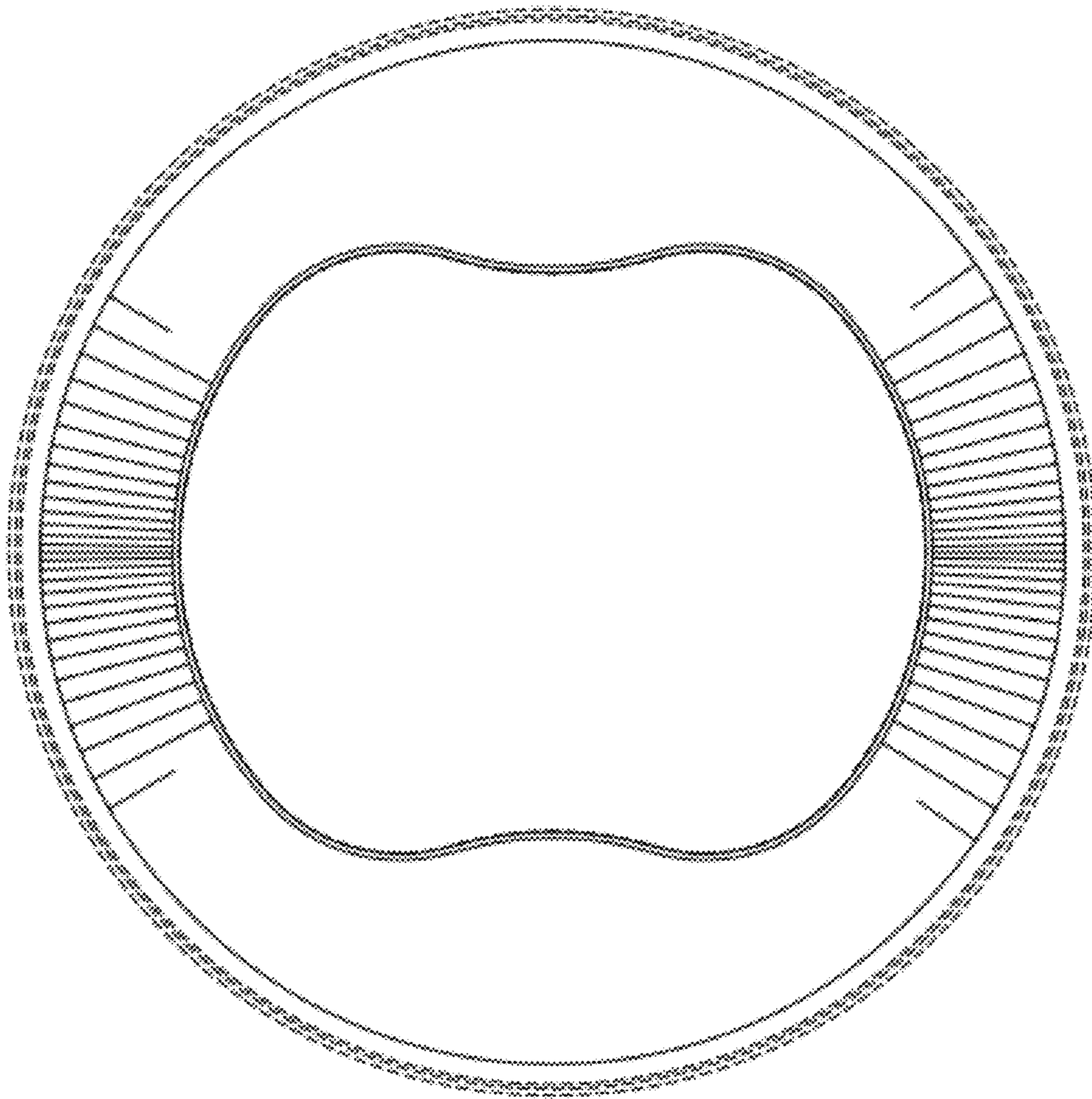


FIG. 4

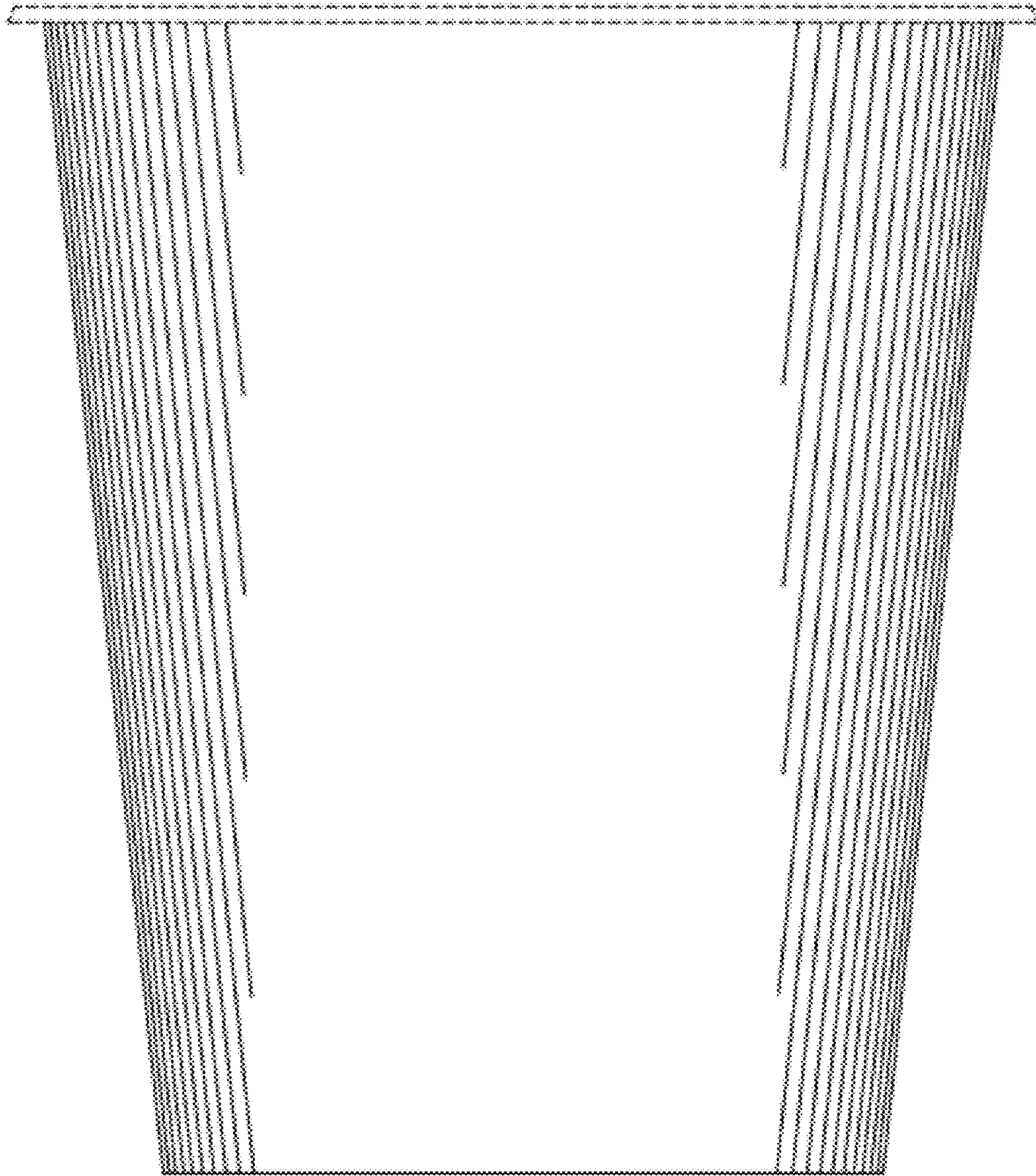


FIG. 5

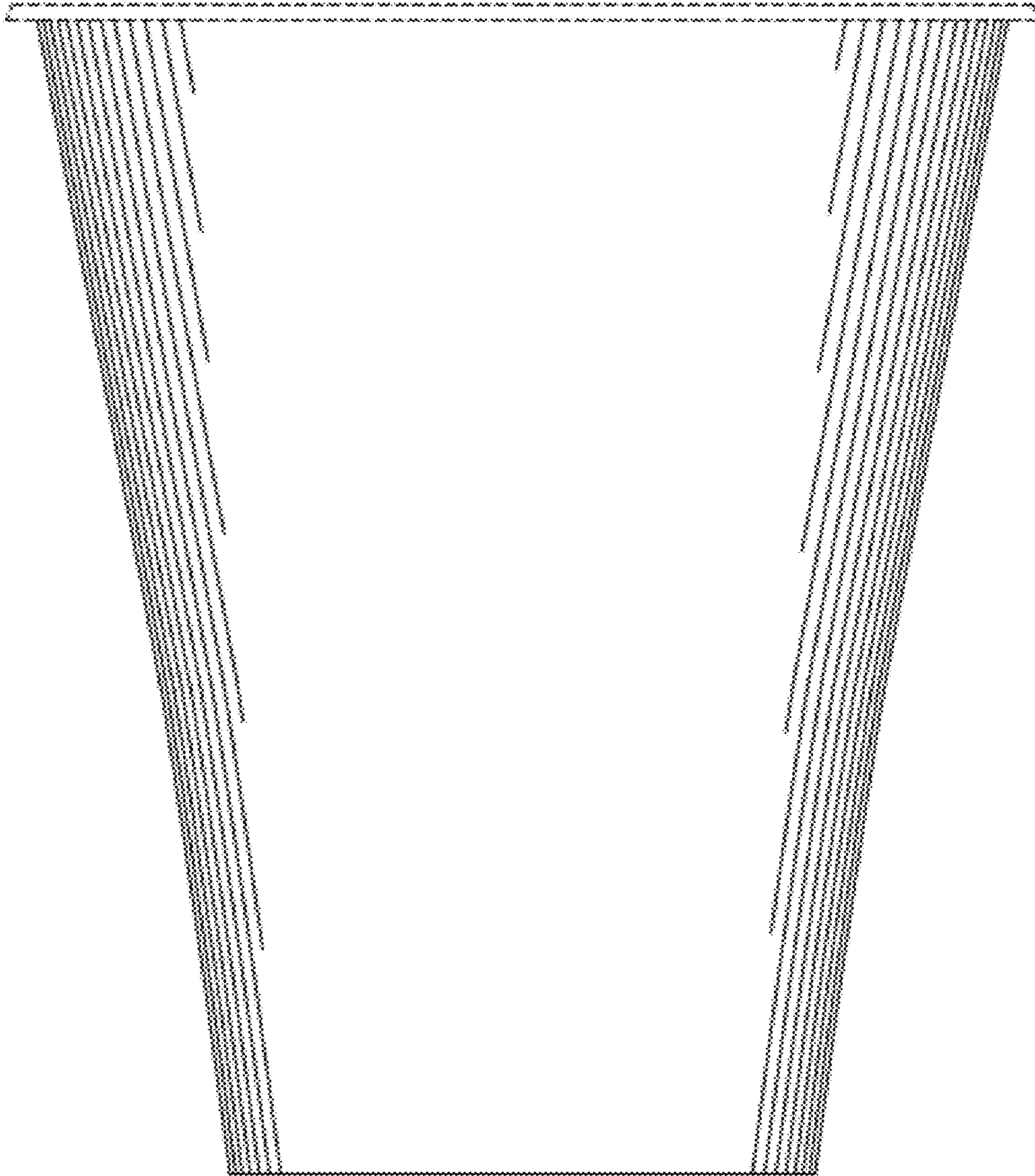


FIG. 6

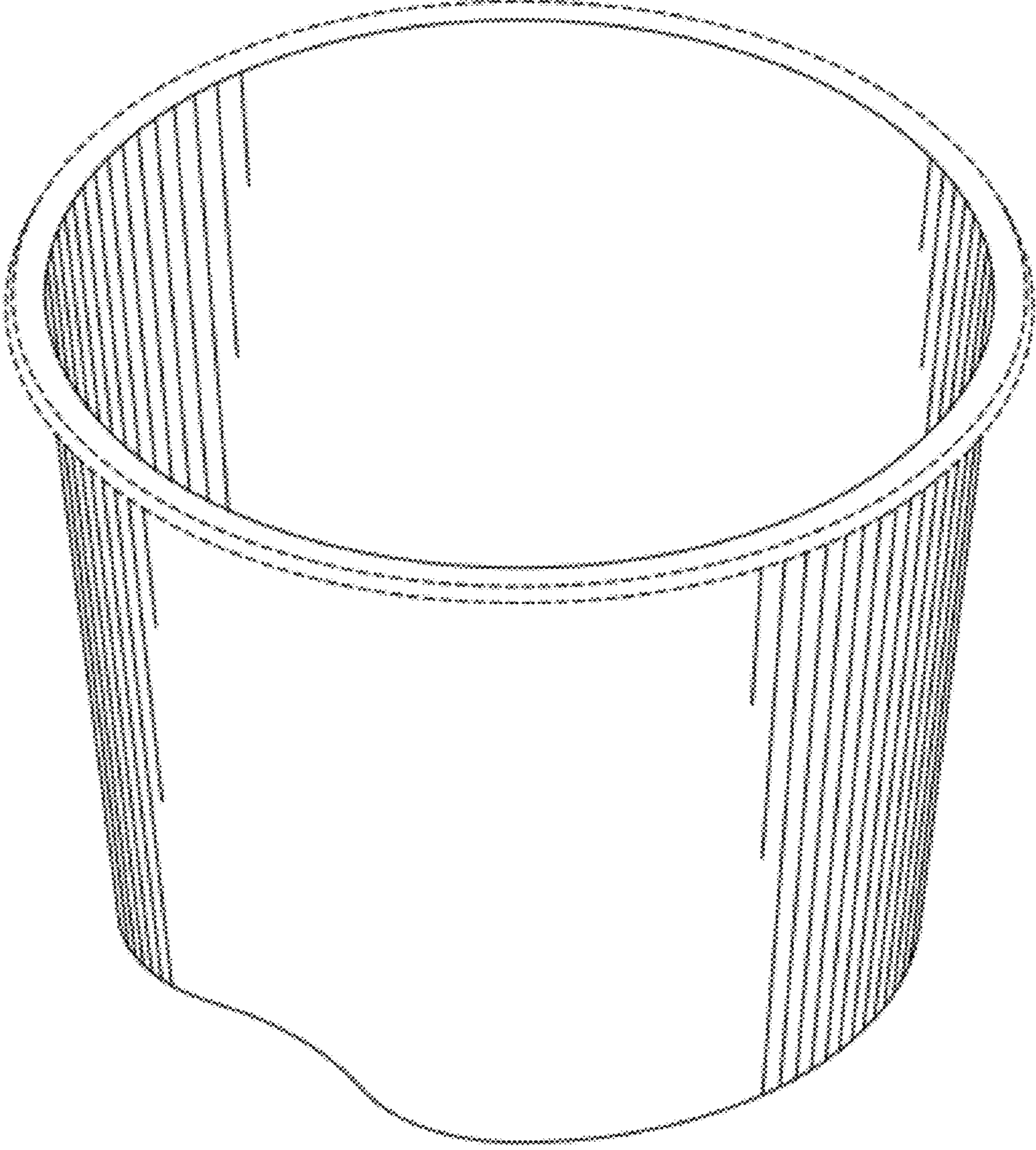
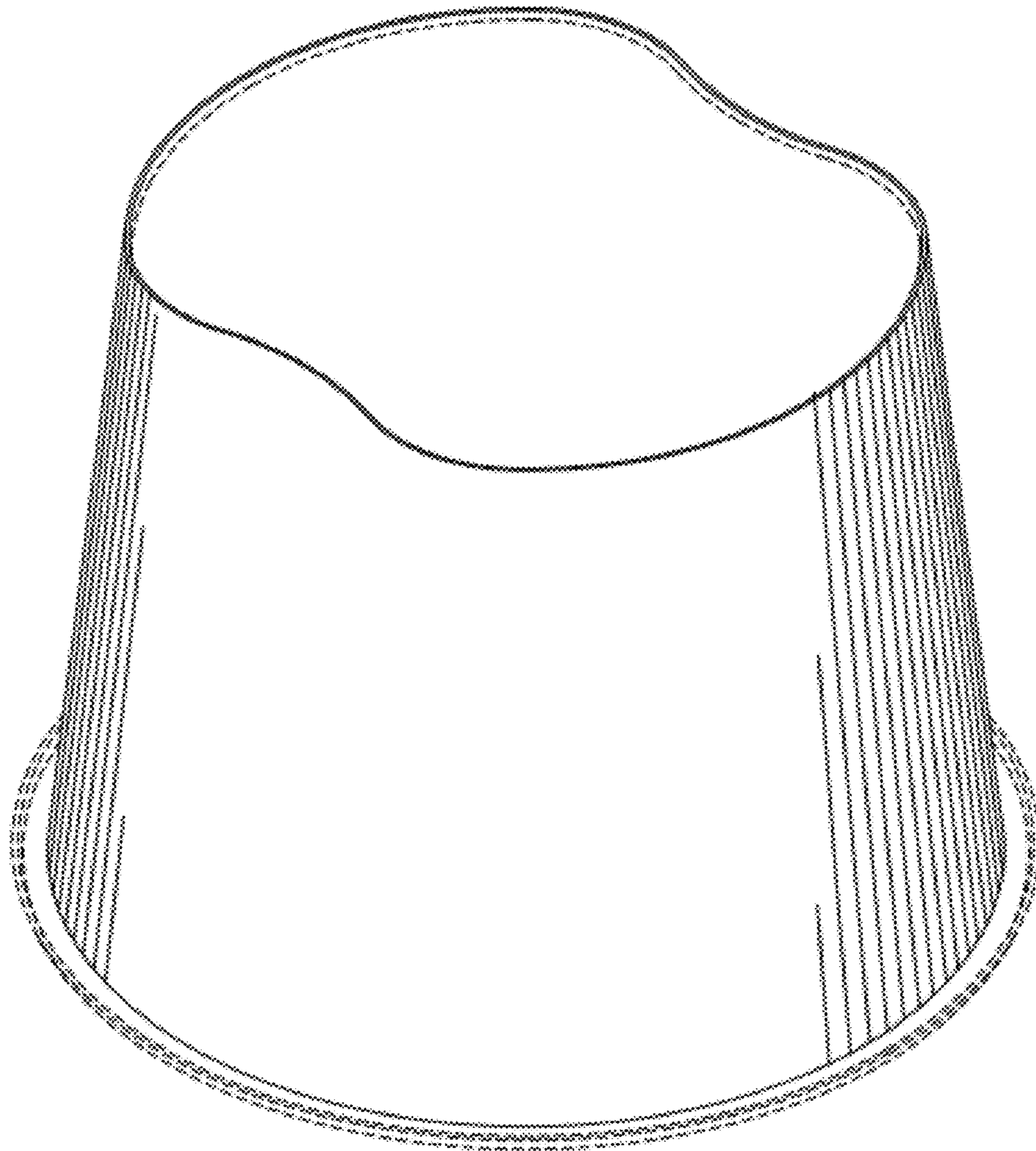


FIG. 7



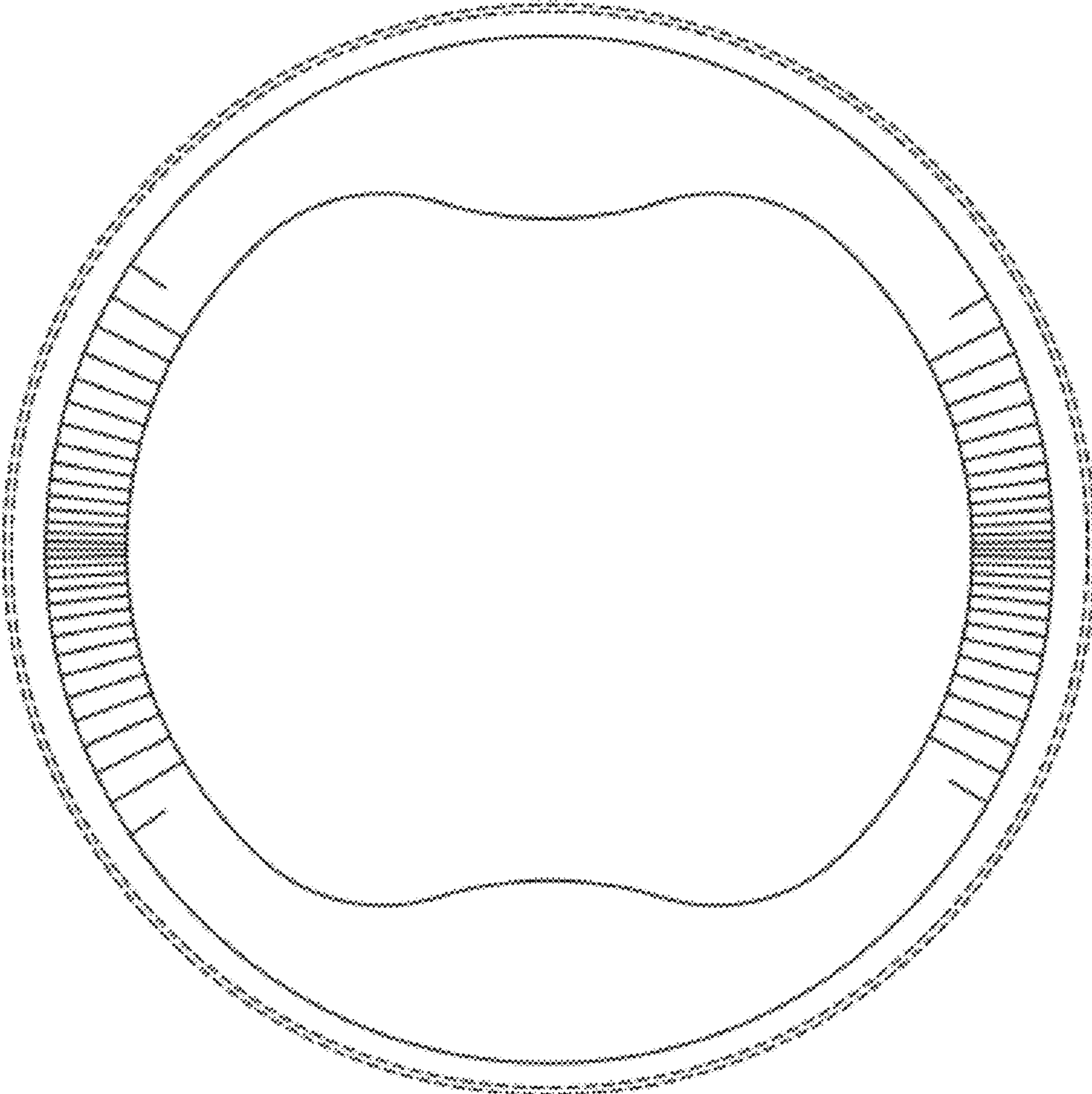


FIG. 9

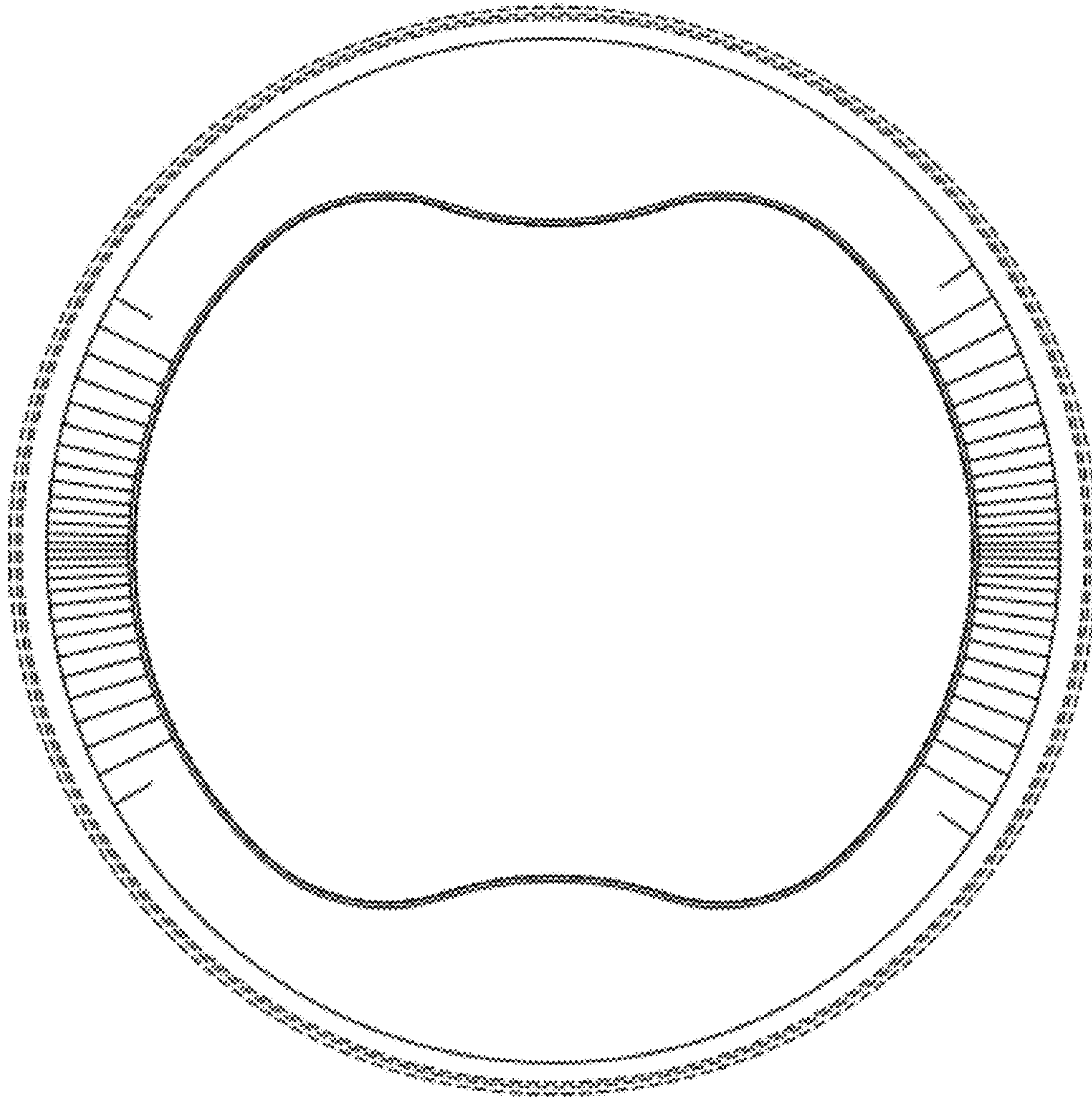


FIG. 10

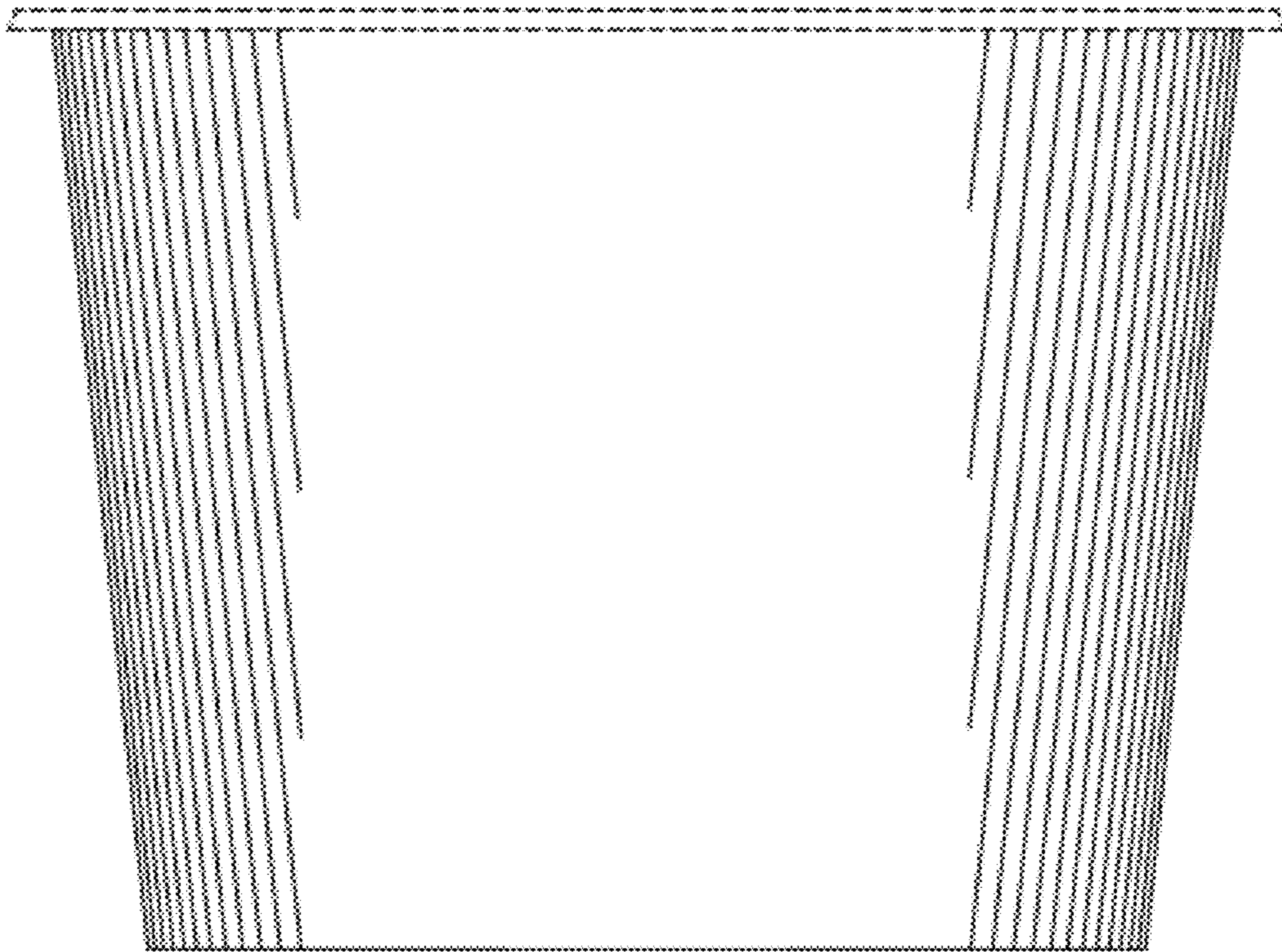


FIG. 11

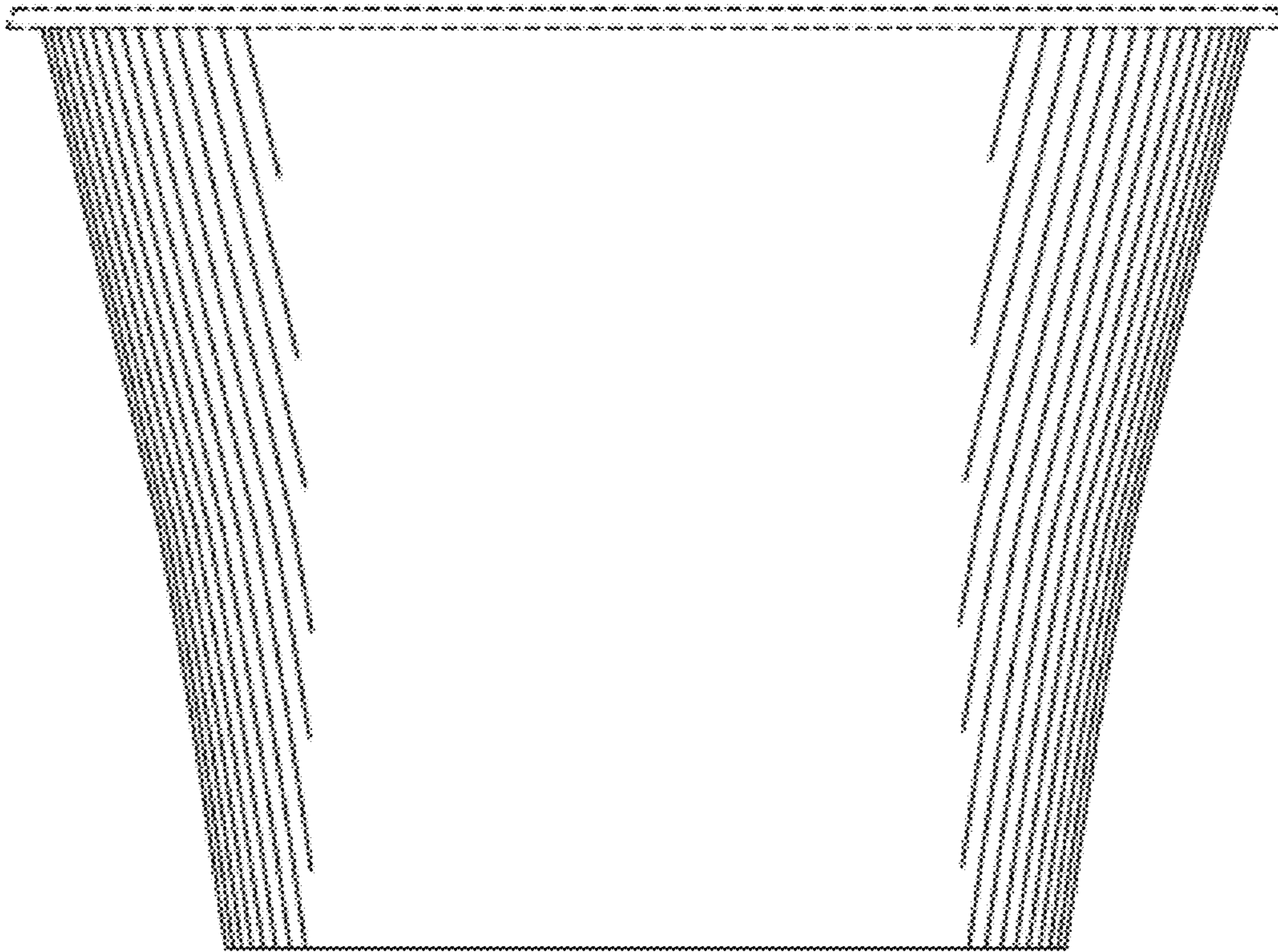


FIG. 12