

US00D674274S

(12) **United States Design Patent**
Gasparino

(10) **Patent No.:** **US D674,274 S**
(45) **Date of Patent:** **** Jan. 15, 2013**

- (54) **CAP ATTACHMENT CLIP**
- (75) Inventor: **Joseph Gasparino**, Peekskill, NY (US)
- (73) Assignee: **Richards Homewares, Inc.**, Portland, OR (US)
- (**) Term: **14 Years**
- (21) Appl. No.: **29/428,528**
- (22) Filed: **Jul. 31, 2012**
- (51) **LOC (9) Cl.** **08-08**
- (52) **U.S. Cl.** **D8/395**
- (58) **Field of Classification Search** D8/354, D8/356, 371, 394-396; D19/65, 86; D24/128; 248/74.2, 215, 227.1, 49, 300, 301, 316.7, 248/51, 489; 24/570, 3.12; D32/61; D11/78.1
See application file for complete search history.

D464,994 S *	10/2002	Rosen	D19/65
6,508,447 B1 *	1/2003	Catani et al.	248/300
D487,289 S *	3/2004	Richter	D19/90
D505,160 S *	5/2005	Chen et al.	D19/65
D513,171 S *	12/2005	Richardson	D8/394
D553,970 S *	10/2007	Allsopp	D8/395
D572,128 S *	7/2008	Poulsen et al.	D8/395
D601,882 S *	10/2009	Mirer et al.	D8/395
D612,012 S *	3/2010	Buermann	D23/233
D618,671 S *	6/2010	Hou	D14/223
D641,614 S *	7/2011	Pontaoe	D8/394
2002/0166497 A1 *	11/2002	Rae	116/237

* cited by examiner

Primary Examiner — John Windmuller

(74) *Attorney, Agent, or Firm* — Chernoff, Vilhauer, McClung & Stenzel, LLP

(57) **CLAIM**

The ornamental design for a cap attachment clip, as shown and described.

DESCRIPTION

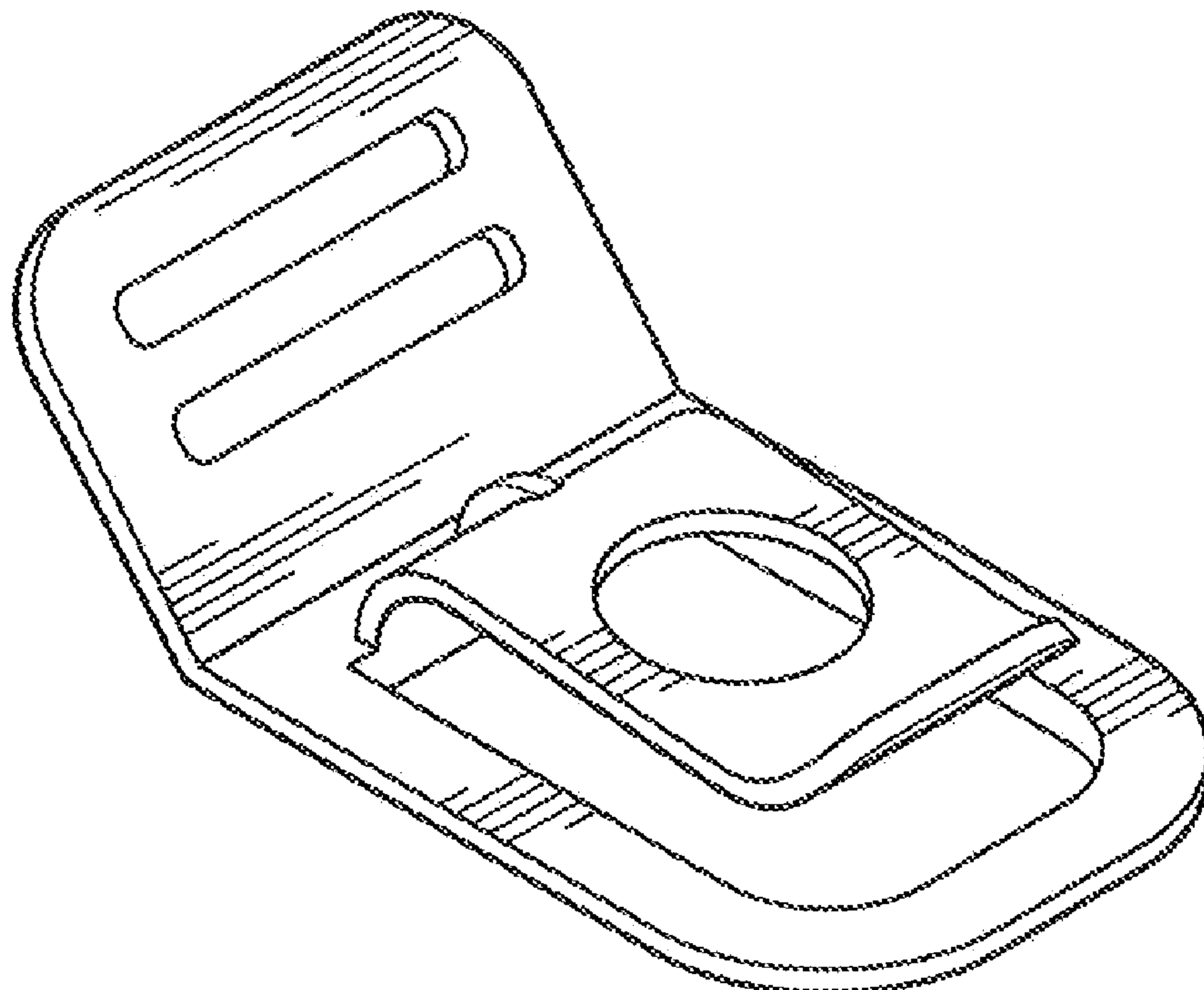
FIG. 1 is a perspective view looking from above of a cap attachment clip embodying my new design;
 FIG. 2 is a top plan view thereof;
 FIG. 3 is a bottom plan view thereof;
 FIG. 4 is a first side elevational view thereof, the opposite side elevational view being a mirror image thereof;
 FIG. 5 is a first end elevational view thereof; and,
 FIG. 6 is the opposite end elevational view thereof.

1 Claim, 1 Drawing Sheet

(56) **References Cited**

U.S. PATENT DOCUMENTS

D49,616 S *	9/1916	McKee	D19/99
1,886,882 A *	11/1932	Huber	24/698.1
4,943,024 A *	7/1990	Meyer	248/316.7
D310,847 S *	9/1990	Dietz	D19/90
D315,675 S *	3/1991	Kennedy et al.	D8/395
5,002,249 A *	3/1991	Meyer	248/316.7
5,056,748 A *	10/1991	Meyer	248/316.7
D327,095 S *	6/1992	Meyer	D19/90
D363,453 S *	10/1995	Herdt	D11/78.1
D379,299 S *	5/1997	Fitzgibbons	D8/402



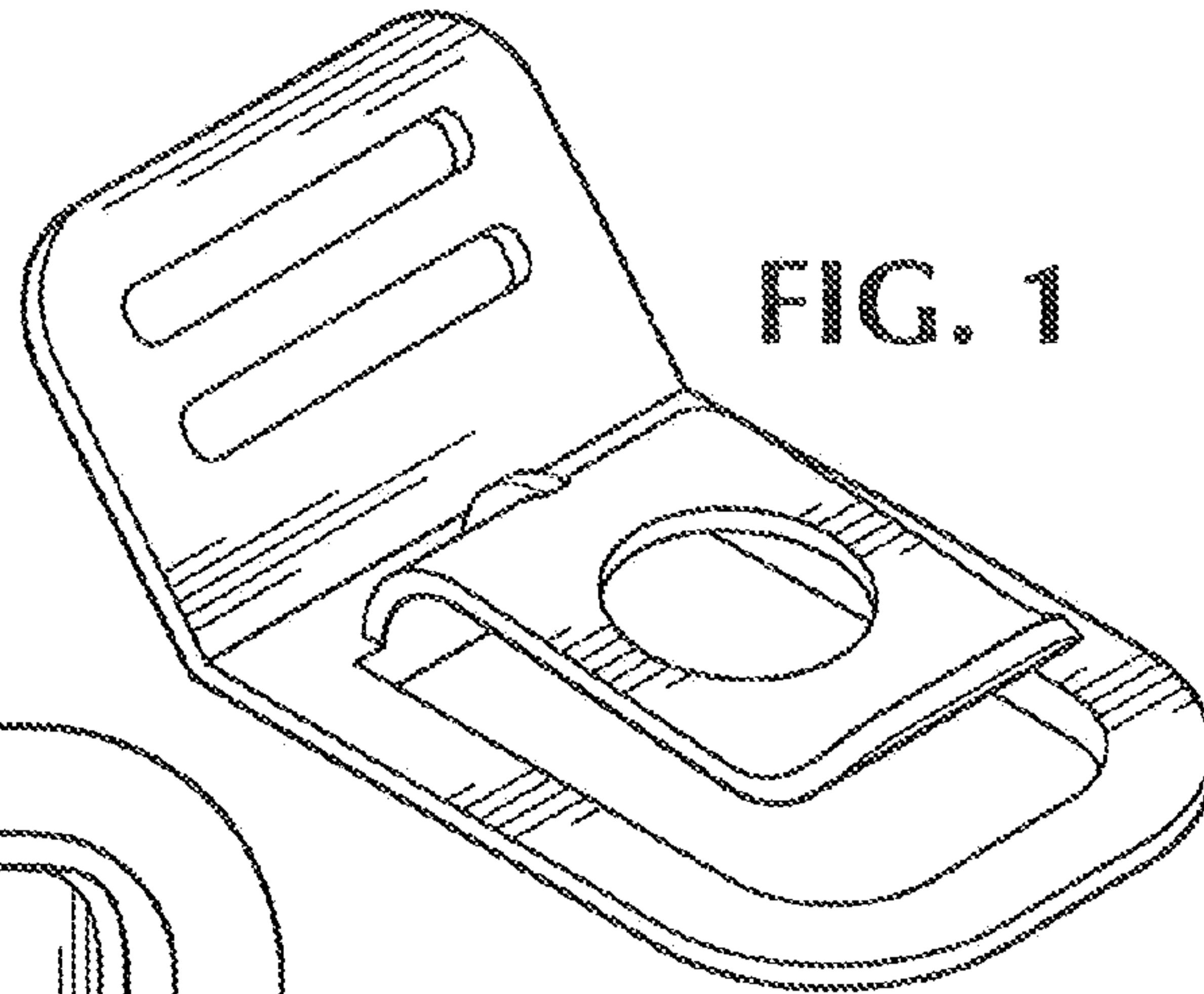


FIG. 1

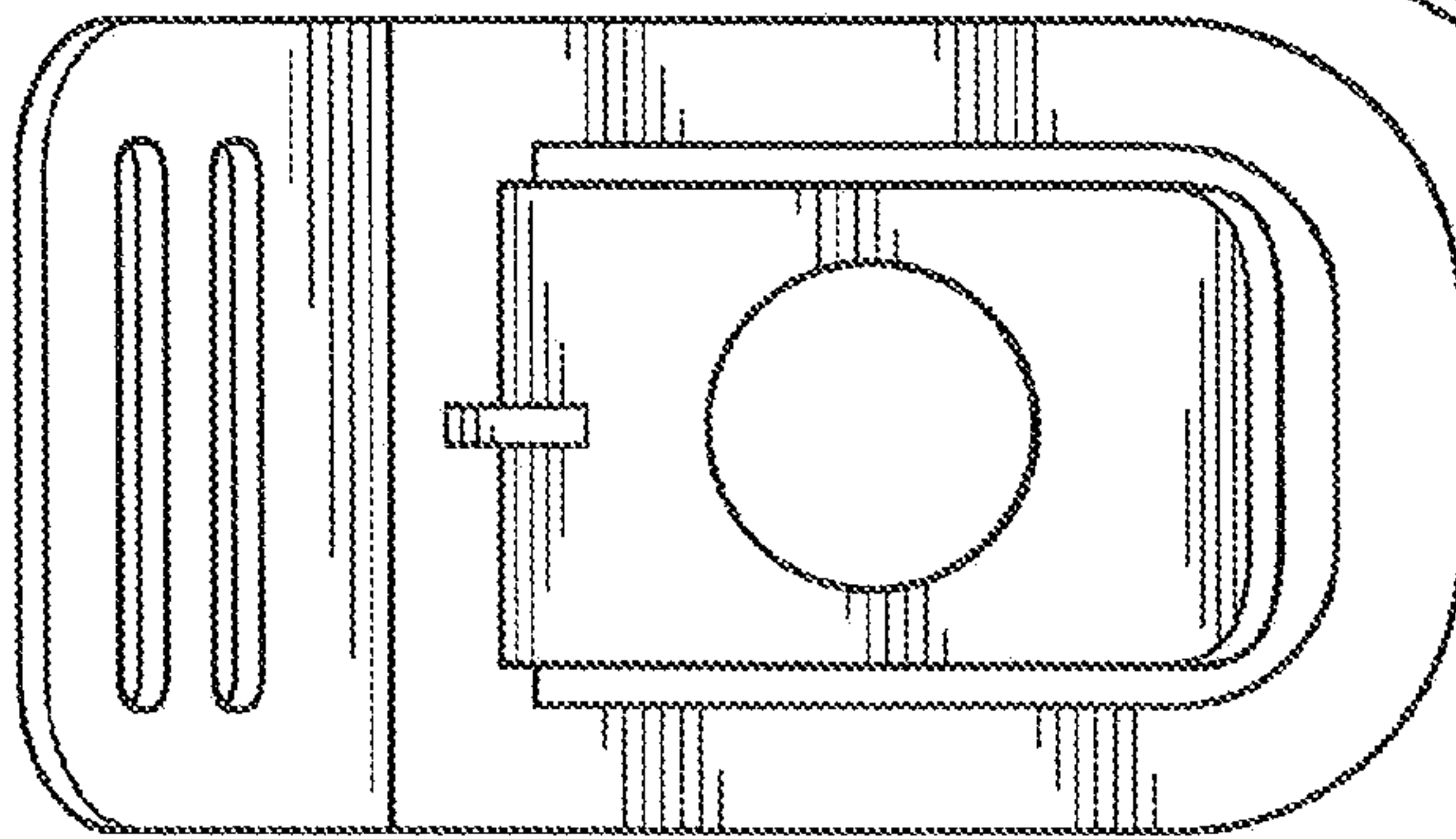


FIG. 2

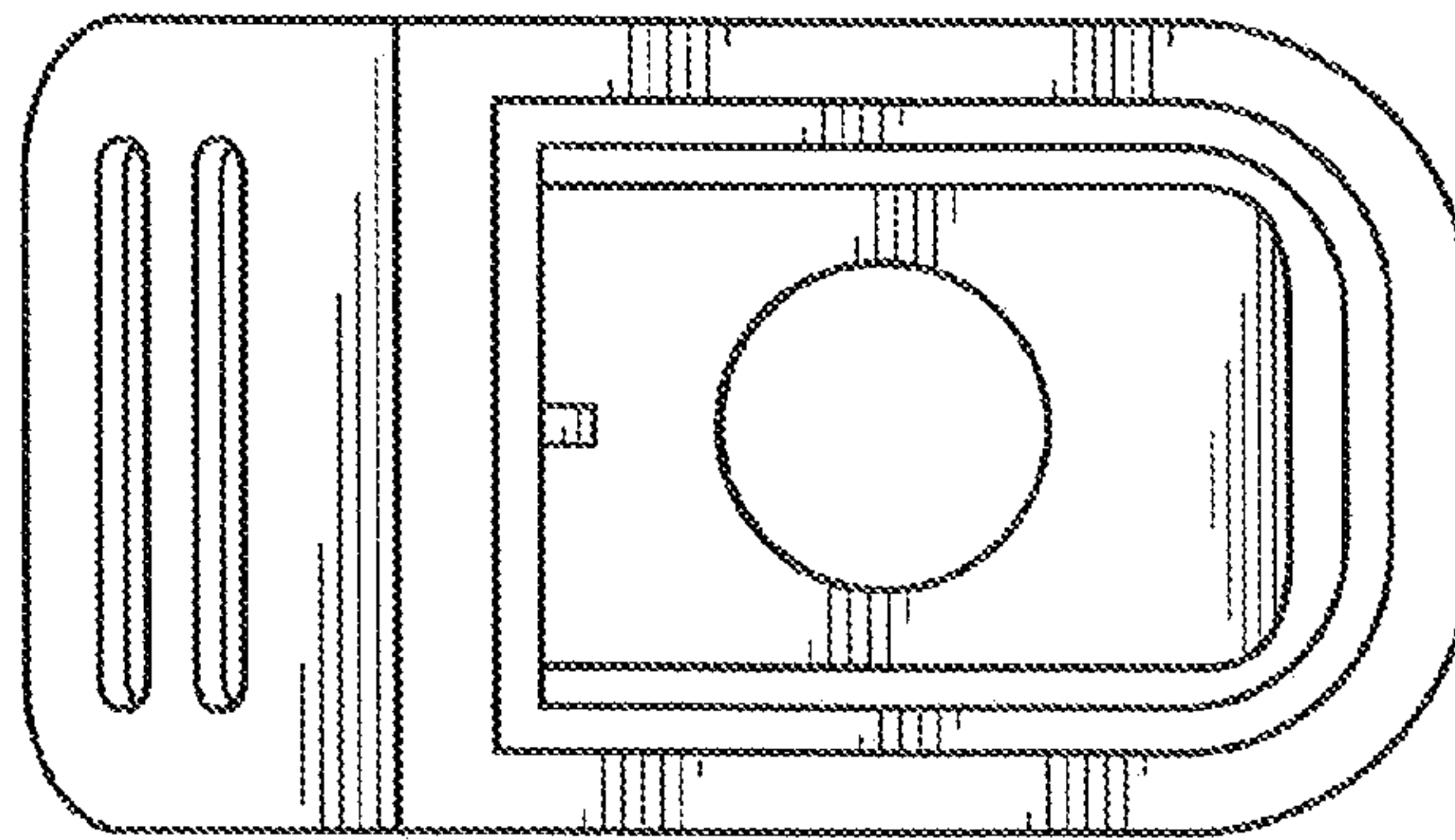


FIG. 3

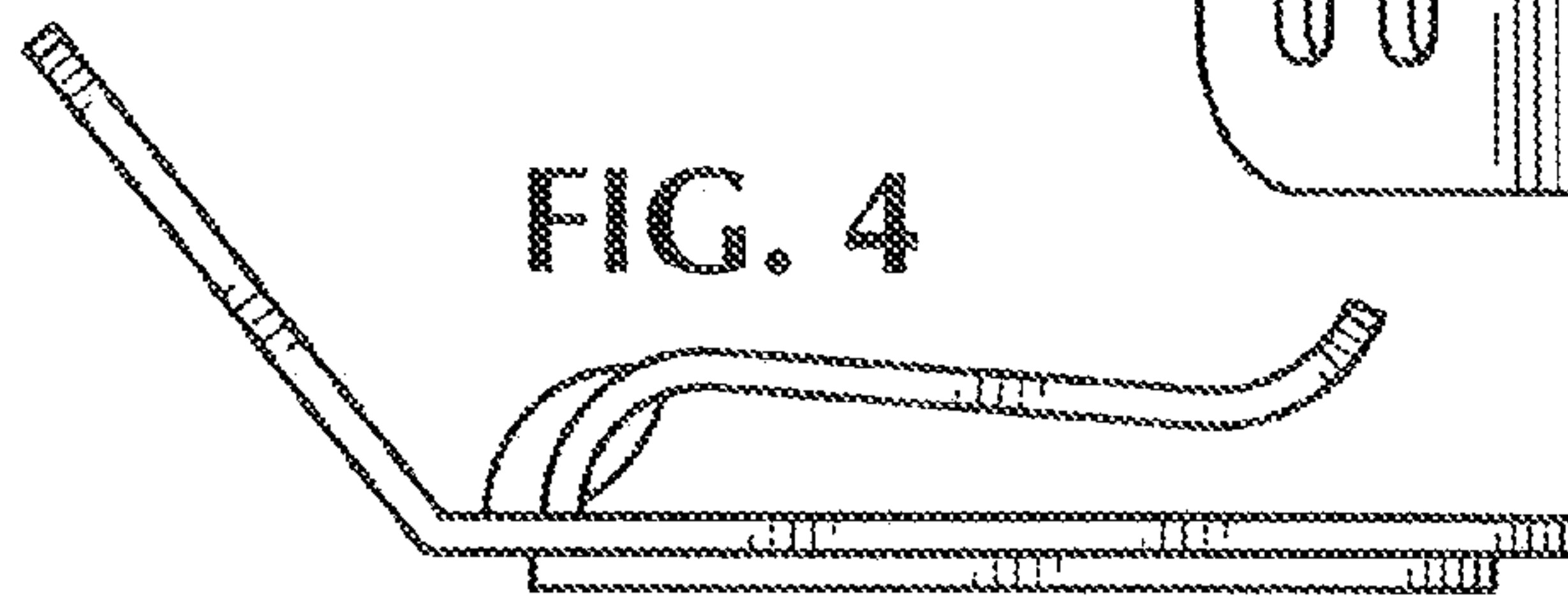


FIG. 4

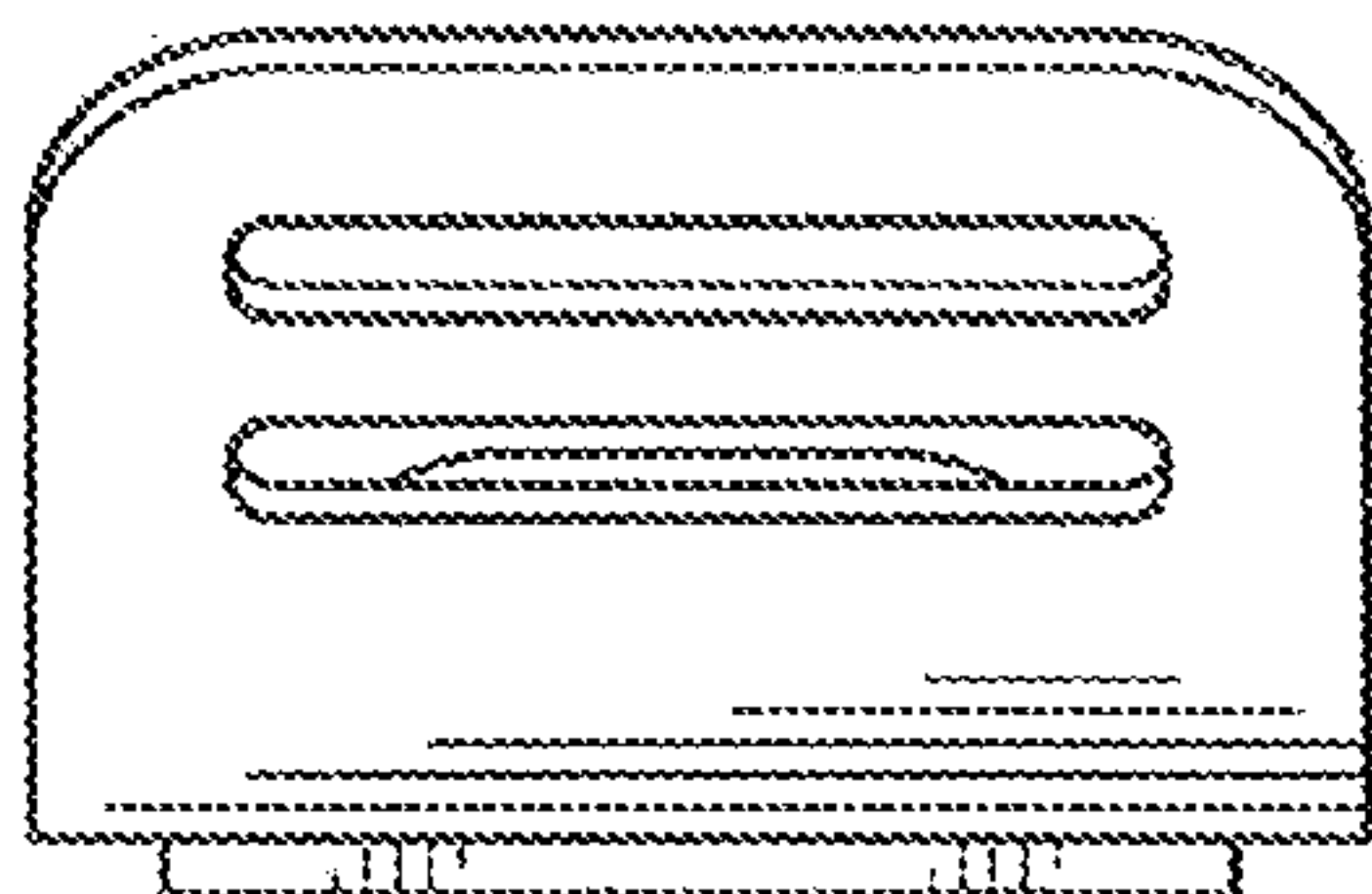


FIG. 5

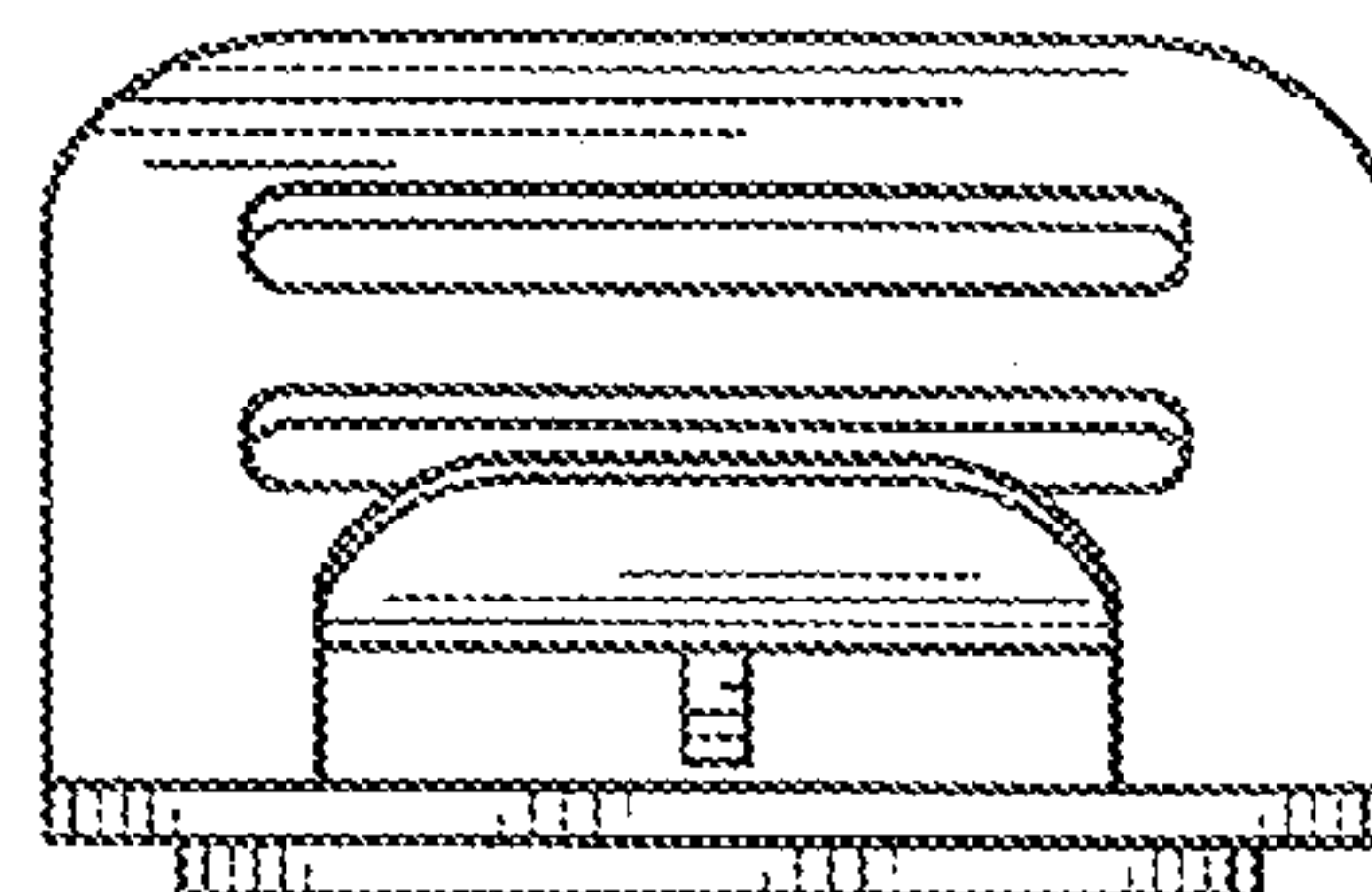


FIG. 6