



US00D674273S

(12) **United States Design Patent**
Yogev

(10) **Patent No.:** **US D674,273 S**
(45) **Date of Patent:** **** Jan. 15, 2013**

(54) **MECHANICAL CONNECTOR FOR
CONNECTING UNITS TO A SUPPORT RAIL**

(75) Inventor: **Ilan Yogev**, Upper Galilee (IL)

(73) Assignee: **Huliot Storage Solutions Ltd.**, Upper Galilee (IL)

(**) Term: **14 Years**

(21) Appl. No.: **29/371,732**

(22) Filed: **Aug. 8, 2011**

(51) **LOC (9) Cl.** **08-08**

(52) **U.S. Cl.** **D8/382**

(58) **Field of Classification Search** D8/382,
D8/354, 349; 411/508-511, 45; 24/297,
24/289; D24/155

See application file for complete search history.

(56) **References Cited**

U.S. PATENT DOCUMENTS

D247,801 S *	5/1978	Bulanda et al.	D8/349
D362,176 S *	9/1995	Solbeck	D8/382
D378,349 S *	3/1997	Saito et al.	D8/382
D381,258 S *	7/1997	Saito	D8/382
D416,189 S *	11/1999	Bollman	D8/382
D451,789 S *	12/2001	Hsieh	D8/382
D456,699 S *	5/2002	Nakanishi	D8/382
D500,245 S *	12/2004	Okada	D8/382
7,207,759 B2 *	4/2007	Kato	411/45

D589,333 S *	3/2009	Nakazato	D8/382
D629,105 S *	12/2010	Horton	D24/155
D629,520 S *	12/2010	Horton	D24/155
D629,904 S *	12/2010	Horton	D24/155
D648,210 S *	11/2011	Reynoso	D8/382
D664,027 S *	7/2012	Vosika et al.	D8/382

FOREIGN PATENT DOCUMENTS

GB	540866	6/1940
GB	1435849	5/1974
WO	WO 2012/081016	6/2012

* cited by examiner

Primary Examiner — Sheryl Lane

(74) *Attorney, Agent, or Firm* — Novick, Kim & Lee, PLLC;
Harold L Novick

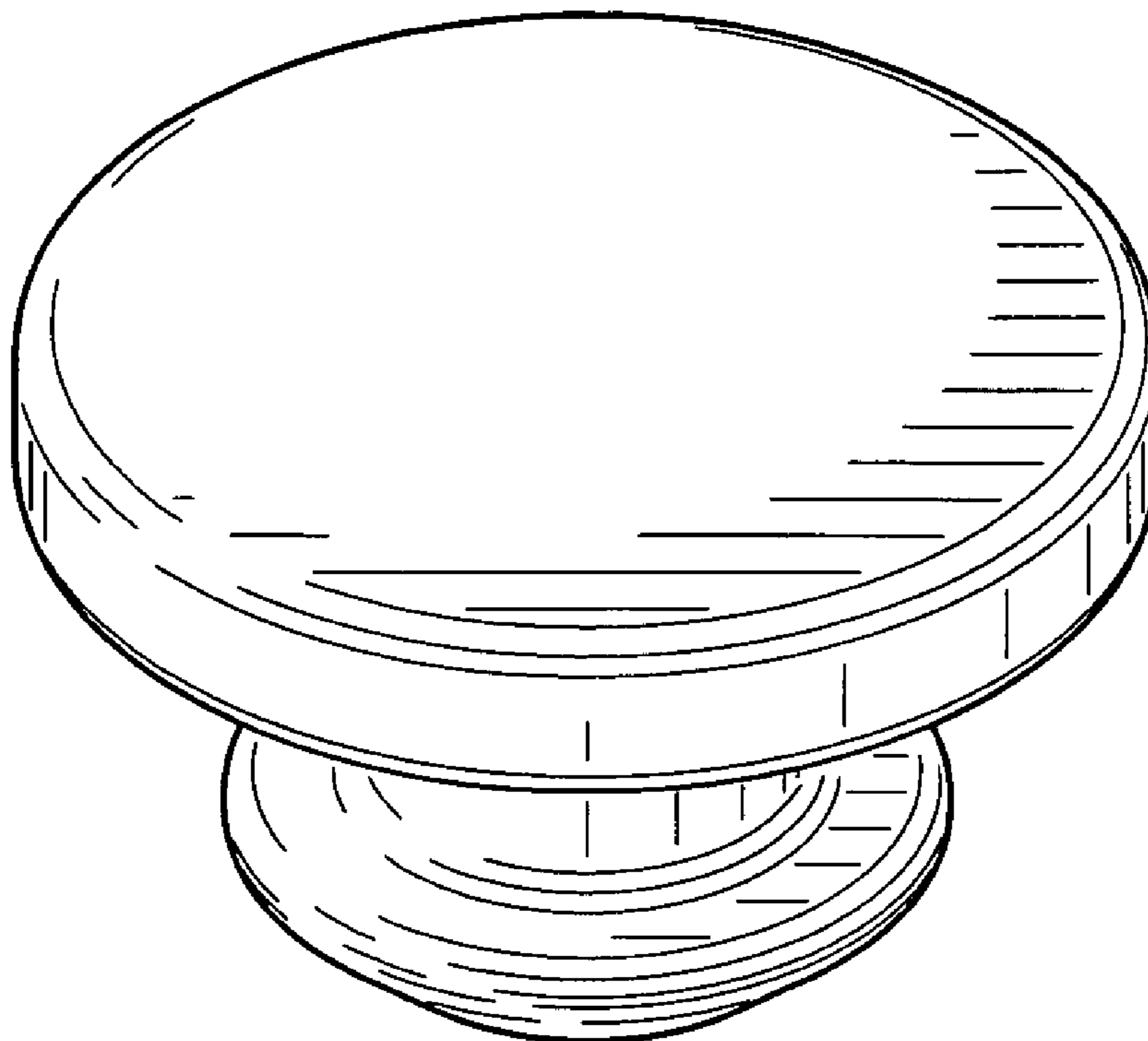
(57) **CLAIM**

The ornamental design for a mechanical connector for connecting units to a support rail, substantially as shown and described.

DESCRIPTION

FIG. 1 is a top perspective view of a mechanical connector for connecting units to a support rail, which is symmetrical about its central axis, in accordance with the present invention; FIG. 2 is a bottom perspective view thereof; FIG. 3 is a top plan view thereof; FIG. 4 is a side elevation view thereof; and, FIG. 5 is a bottom plan view thereof.

1 Claim, 2 Drawing Sheets



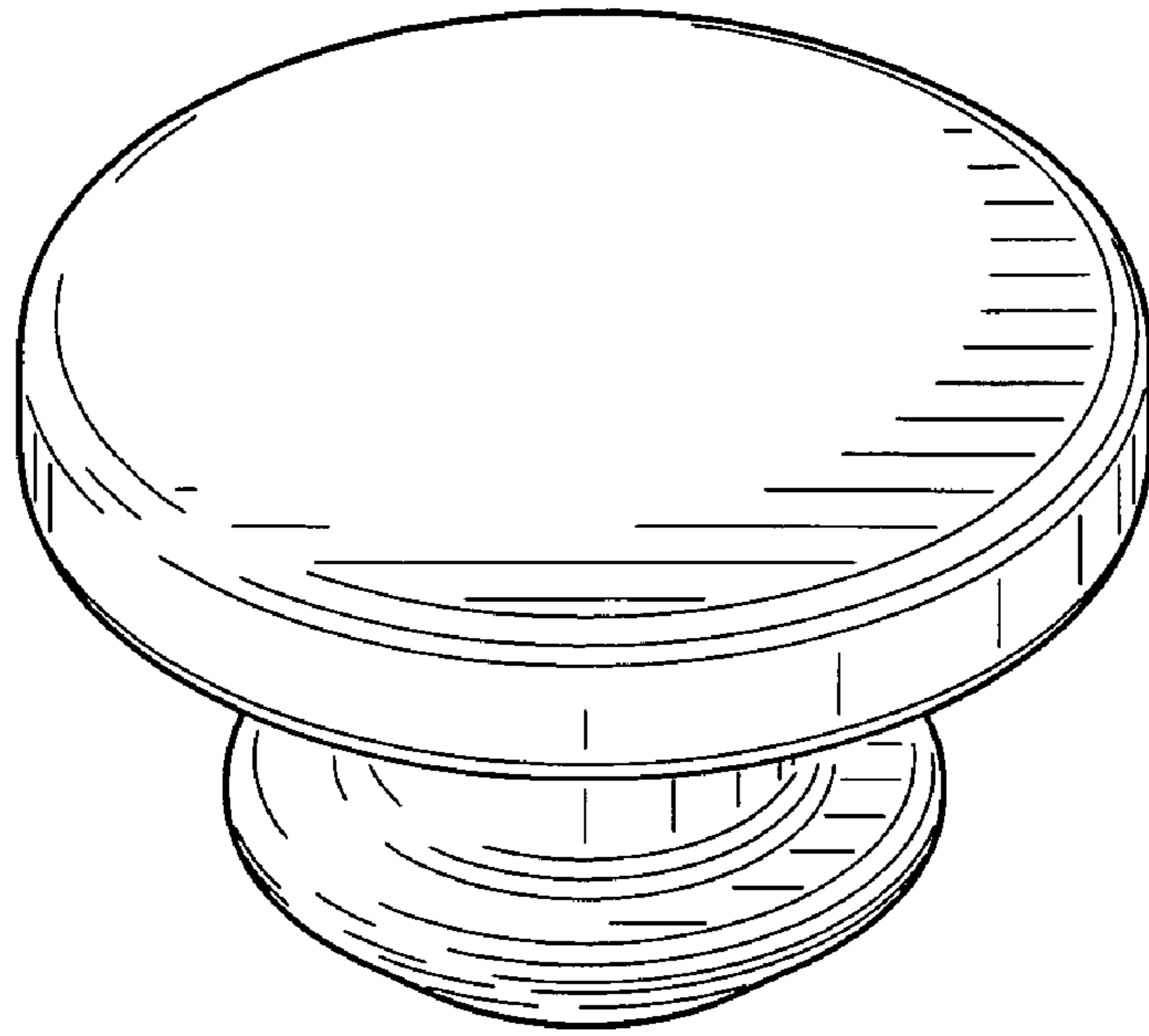


FIG. 1

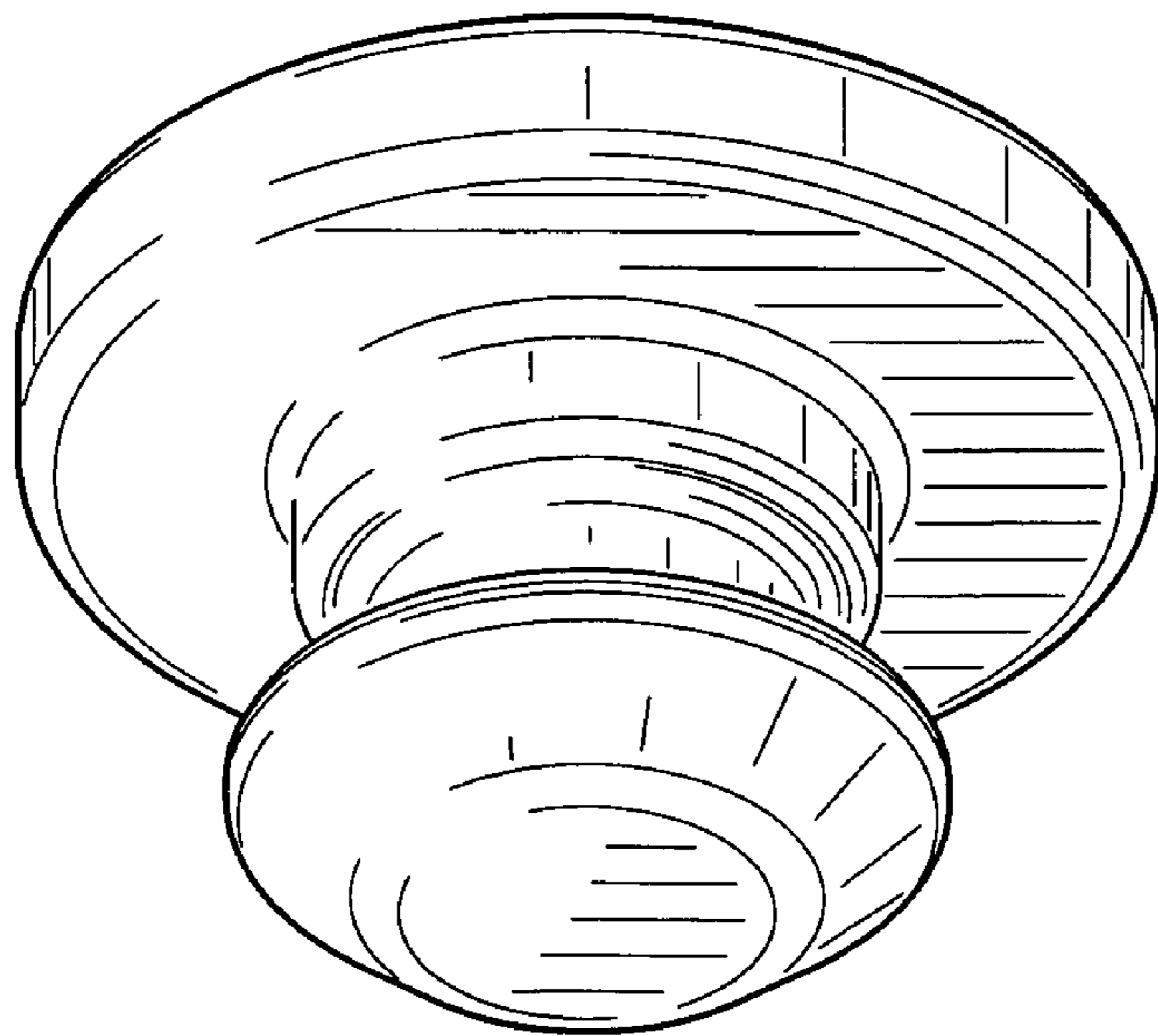


FIG. 2

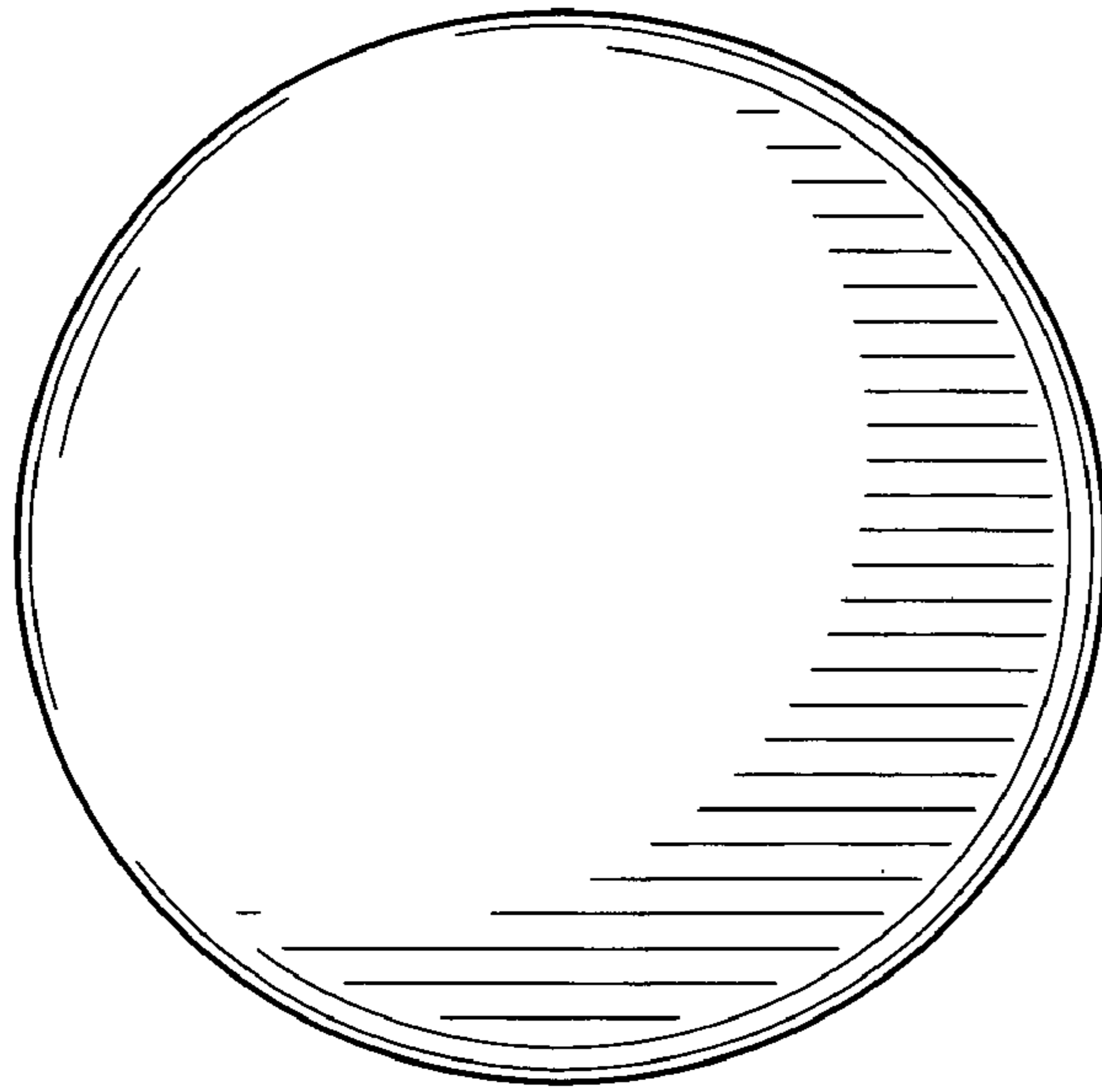


FIG.3

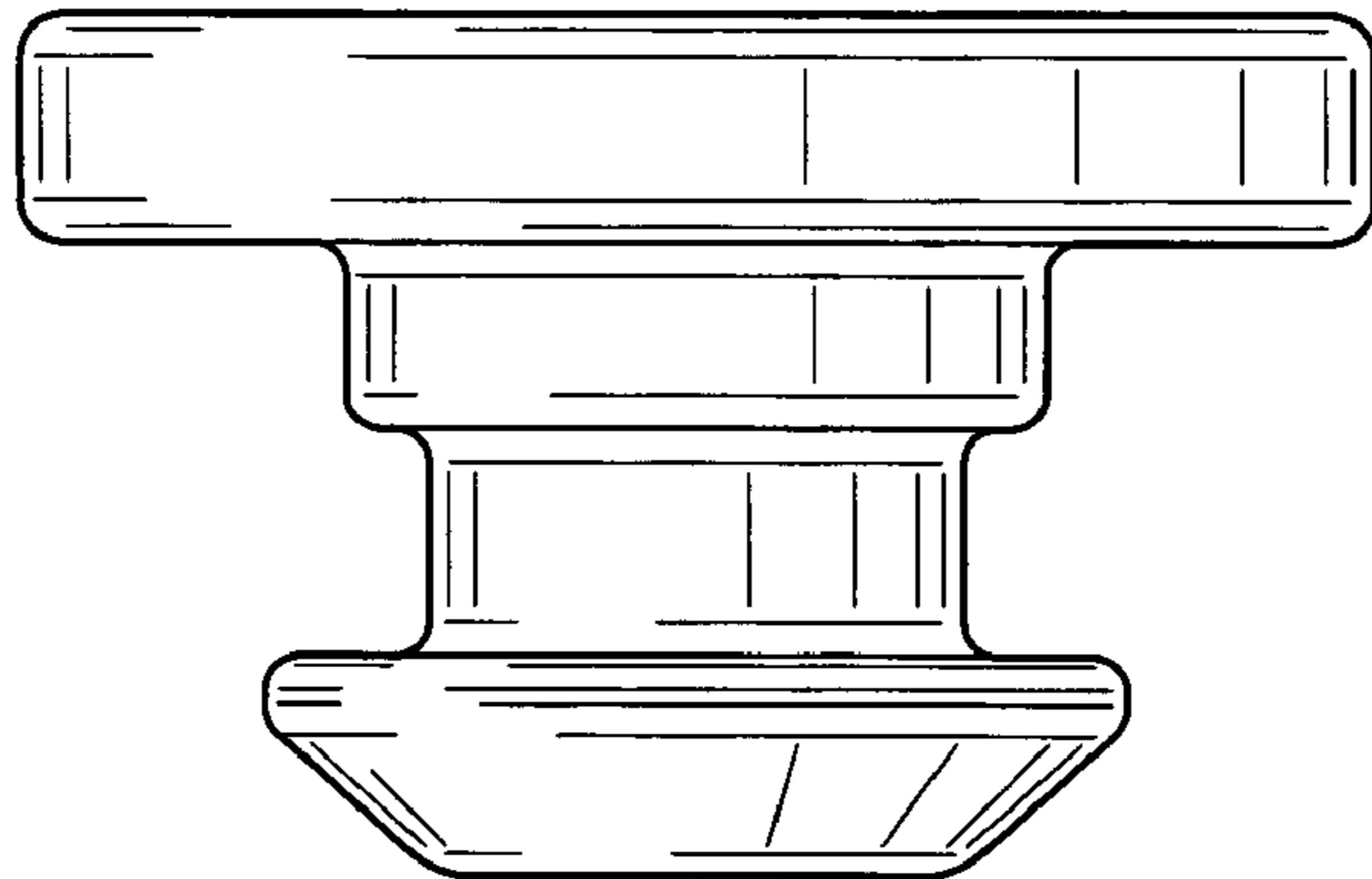


FIG.4

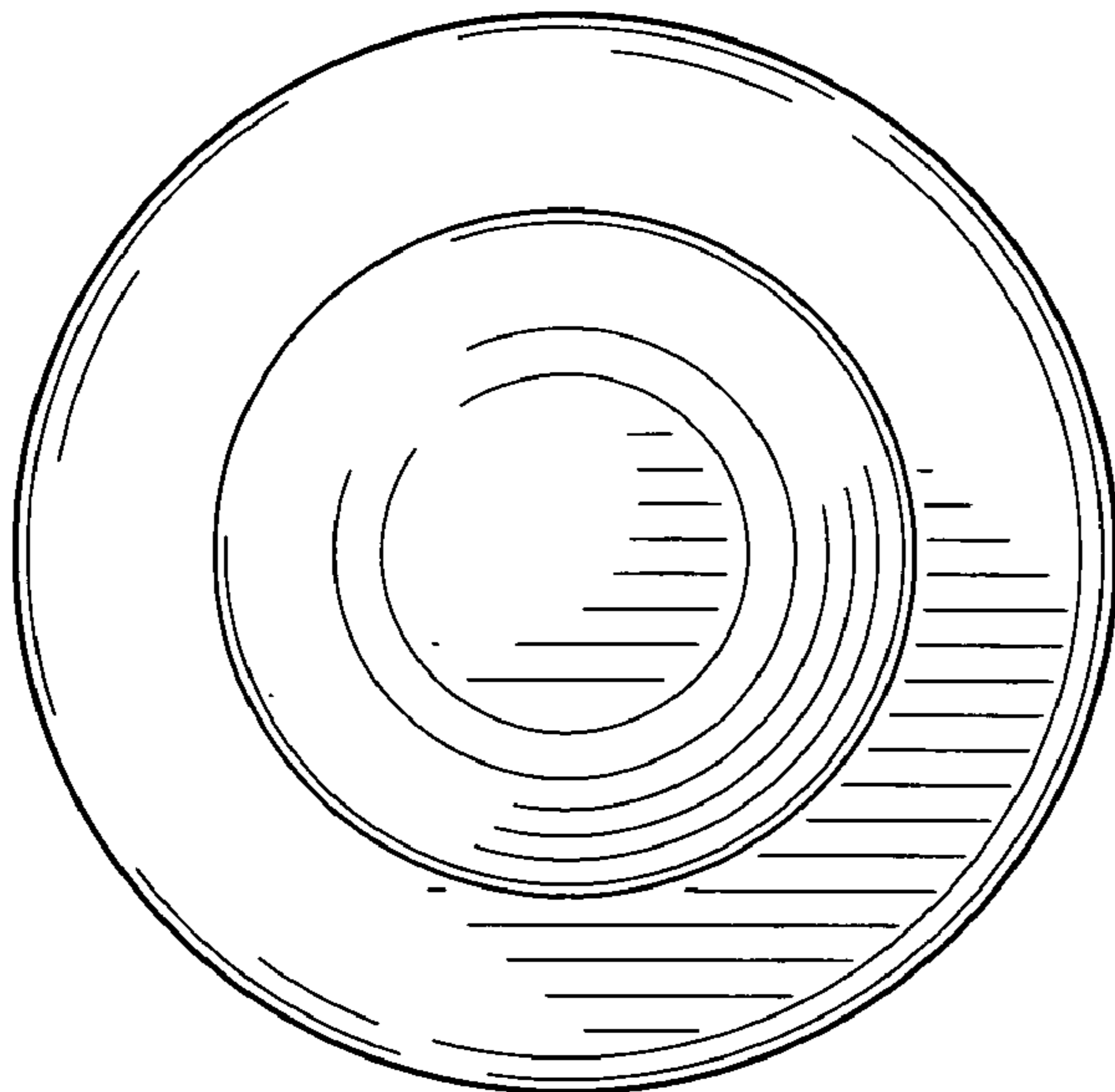


FIG.5