



US00D674272S

(12) **United States Design Patent**  
**Miranda et al.**

(10) **Patent No.:** **US D674,272 S**  
(45) **Date of Patent:** **\*\* Jan. 15, 2013**

(54) **ATTACHMENT DEVICE**

7,661,567 B2 2/2010 Meyers  
D626,908 S \* 11/2010 Marcaccio et al. .... D12/345  
2005/0277316 A1\* 12/2005 Cohen ..... 439/135

(76) Inventors: **Adrian Miranda**, Bellflower, CA (US);  
**Richard Pola**, Hermosa Beach, CA  
(US); **Rene Sandera**, Manhattan Beach,  
CA (US)

**OTHER PUBLICATIONS**

U.S. Appl. No. 61/333,822, filed May 12, 2010; first listed inventor:  
Pola, R.; title: Apparatus for Securing Electronic Devices.  
U.S. Appl. No. 61/481,131, filed Apr. 29, 2011; first listed inventor:  
Pola, R.; title: Apparatus for Securing Electronic Devices.

(\*\*) **Term:** **14 Years**

\* cited by examiner

(21) **Appl. No.:** **29/390,913**

*Primary Examiner* — Cynthia Underwood

(22) **Filed:** **Apr. 29, 2011**

(74) *Attorney, Agent, or Firm* — Law Office of David Hong

(51) **LOC (9) Cl.** ..... **08-05**

(57) **CLAIM**

(52) **U.S. Cl.** ..... **D8/356**

The ornamental design for an attachment device, as shown  
and described.

(58) **Field of Classification Search** ..... D8/356,  
D8/354, 367, 349, 330, 383; 439/501; 70/421,  
70/371, 369, 208

**DESCRIPTION**

See application file for complete search history.

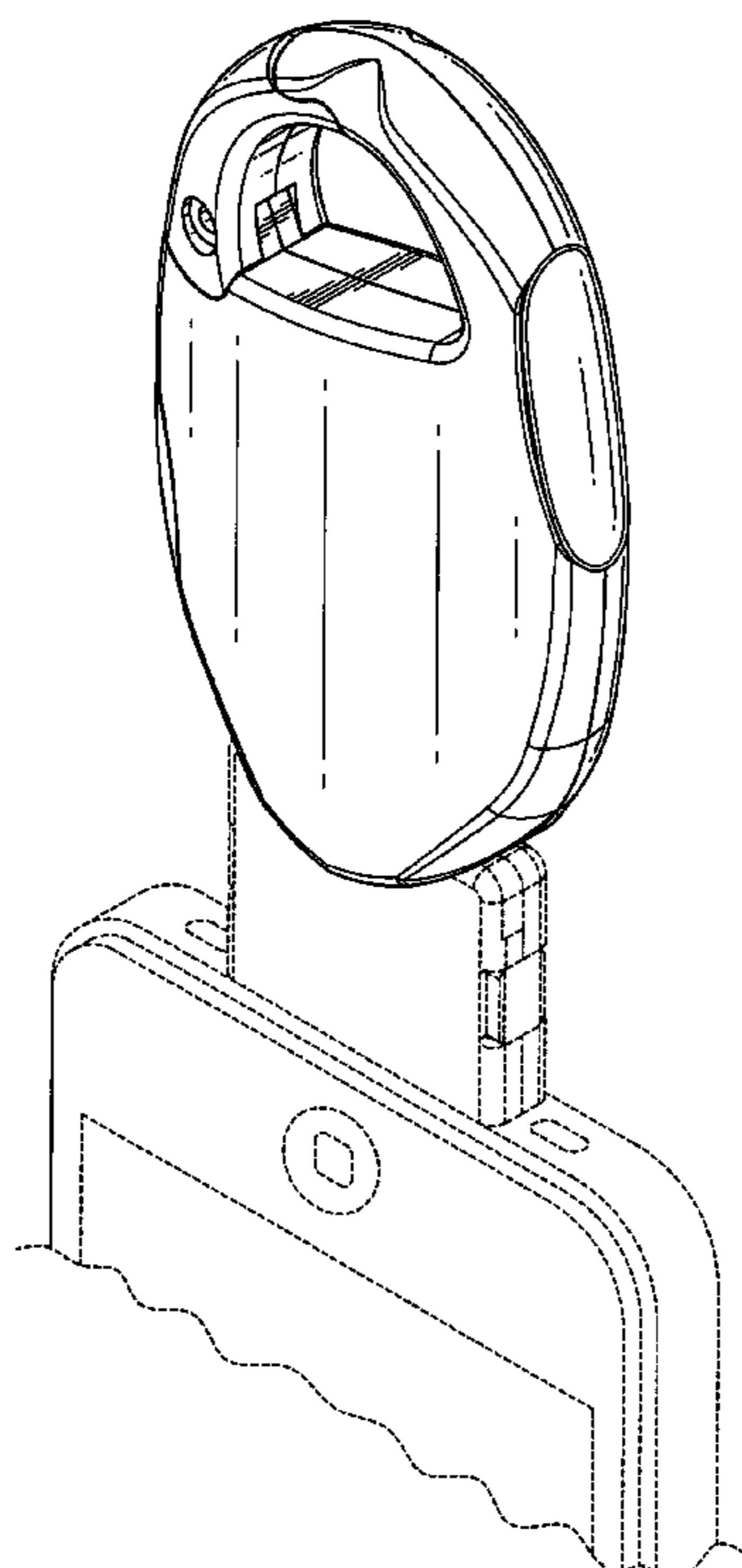
FIG. 1 is a perspective view of our attachment device.  
FIG. 2 is a front elevation view of the attachment device of  
FIG. 1; the rear elevation view of the attachment device of  
FIG. 1 is a mirror image of FIG. 2.  
FIG. 3 is a first side elevation view of the attachment device of  
FIG. 1.  
FIG. 4 is a second side elevation view of the attachment  
device of FIG. 1.  
FIG. 5 is a top elevation view of the attachment device of FIG.  
1; and,  
FIG. 6 is a bottom elevation view of the attachment device of  
FIG. 1; the adapter portion, which is shown in broken lines in  
FIG. 1-4, is not shown in FIG. 6.  
The broken lines are included for the purpose of illustrating  
environment of use and portions of the structure that form no  
part of the claimed design.

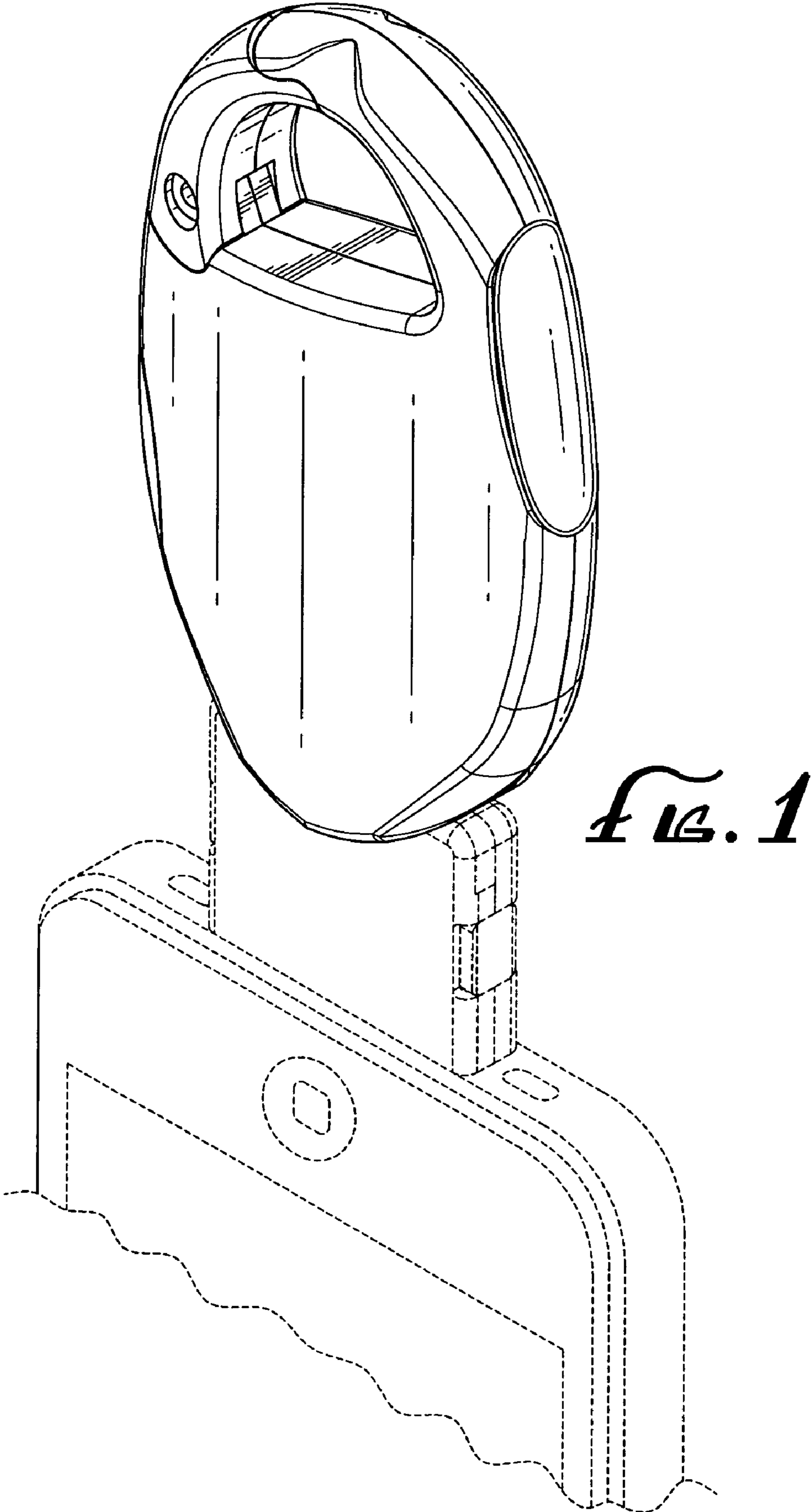
(56) **References Cited**

**U.S. PATENT DOCUMENTS**

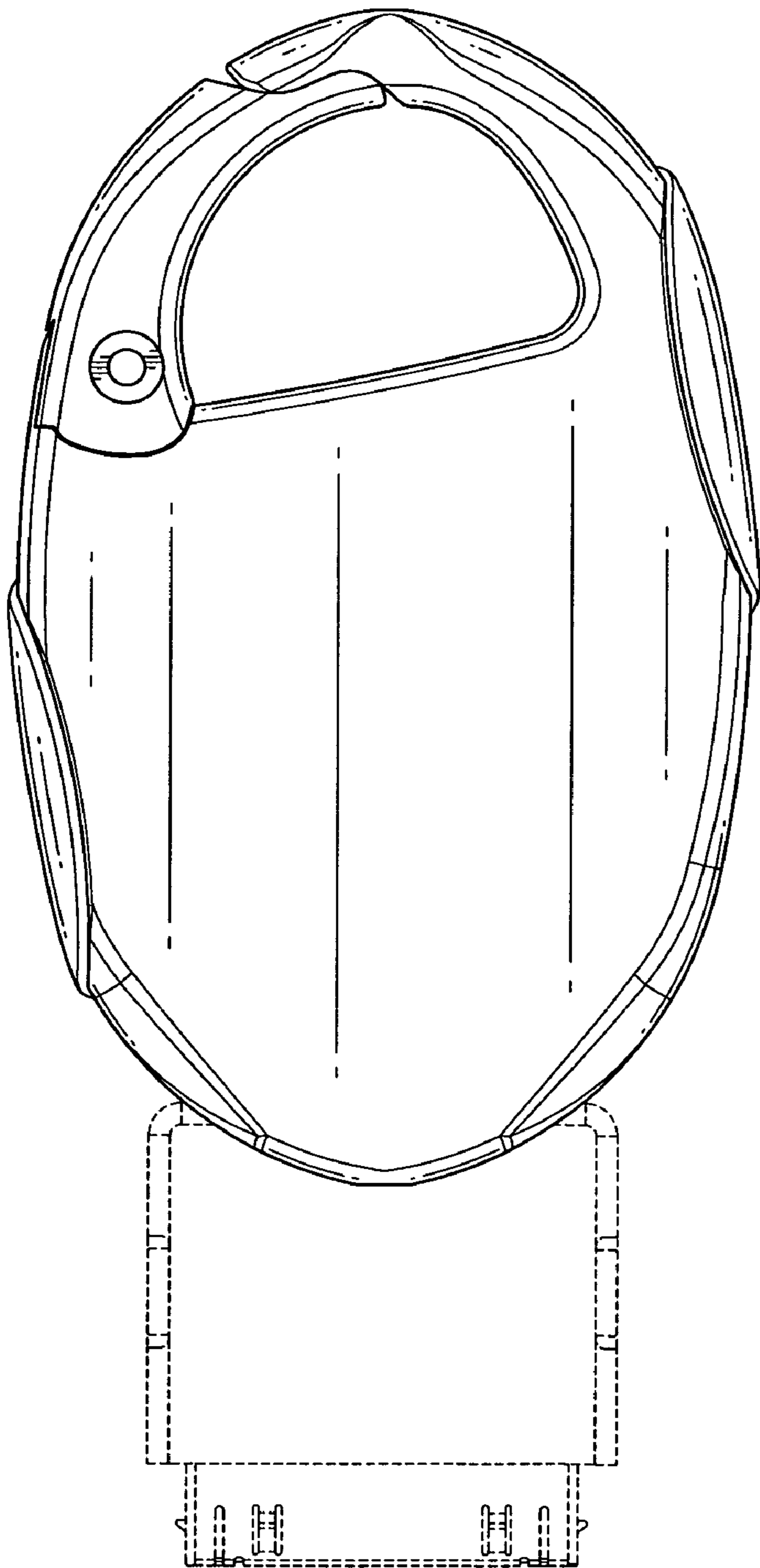
D425,783	S *	5/2000	Ishida et al. ....	D8/383
D459,338	S	6/2002	Sterzick	
6,502,727	B1	1/2003	Decoteau	
6,883,694	B2	4/2005	Abelow	
D505,938	S *	6/2005	Tse .....	D14/196
7,106,858	B2	9/2006	Goldberg	
7,192,136	B2	3/2007	Howell	
7,254,856	B2 *	8/2007	Goldberg .....	7/164
D550,067	S *	9/2007	Hsiao .....	D8/356
D574,692	S *	8/2008	Cooper .....	D8/105
7,438,410	B1	10/2008	Howell	
7,568,942	B1	8/2009	Lannon	
7,621,634	B2	11/2009	Howell	

**1 Claim, 3 Drawing Sheets**

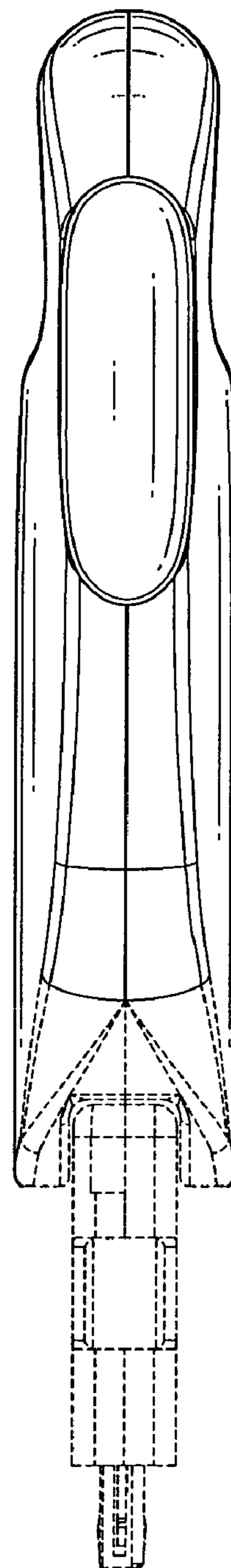




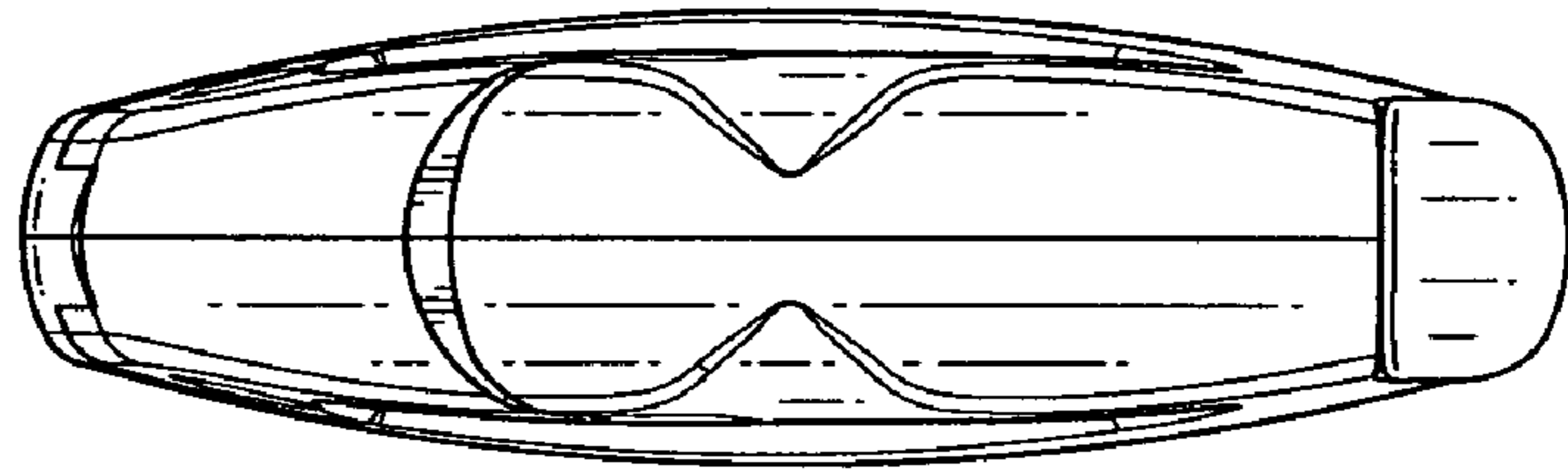
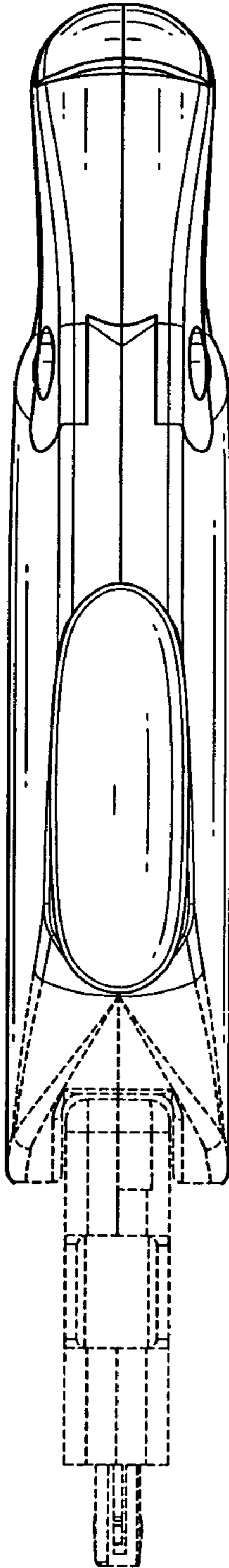
*FIG. 2*



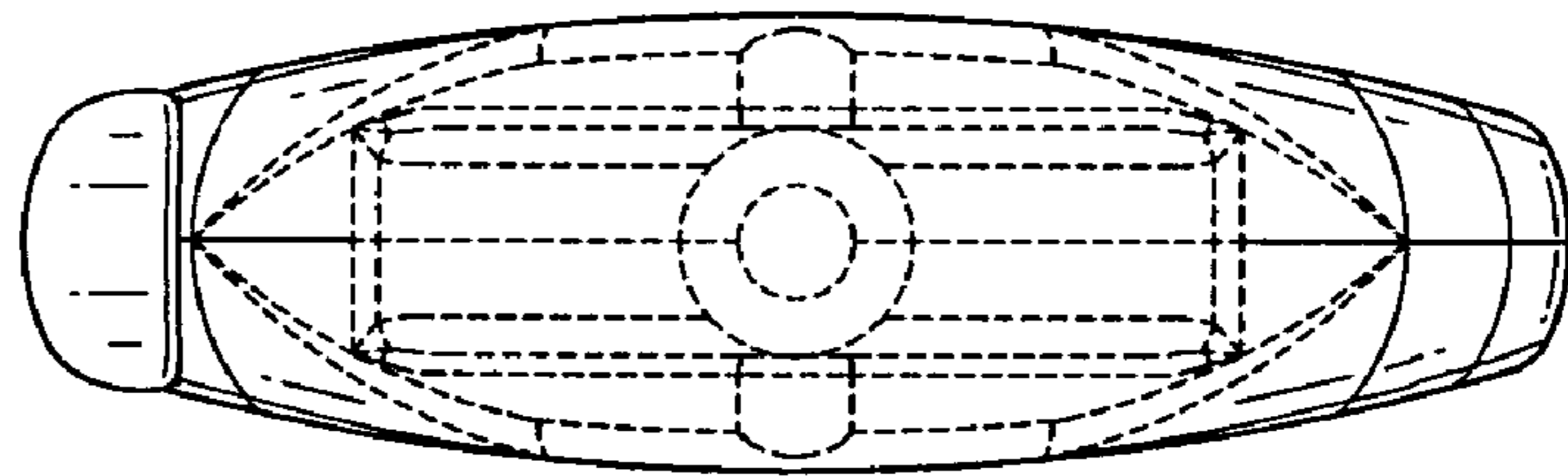
*FIG. 3*



*FIG. 4*



*FIG. 5*



*FIG. 6*