



US00D674269S

(12) **United States Design Patent**
Siepel

(10) **Patent No.:** **US D674,269 S**
(45) **Date of Patent:** **** Jan. 15, 2013**

- (54) **ISOLATOR**
- (75) Inventor: **Roelof J. Siepel**, Earlham, IA (US)
- (73) Assignee: **Monarch Materials Group, Inc.**,
Waukee, IA (US)
- (**) Term: **14 Years**
- (21) Appl. No.: **29/378,210**
- (22) Filed: **Nov. 1, 2010**
- (51) **LOC (9) Cl.** **08-05**
- (52) **U.S. Cl.** **D8/354**
- (58) **Field of Classification Search** D8/349,
D8/354, 384, 385, 400; 414/345, 523, 335,
414/505; 411/542, 369; 277/640
See application file for complete search history.

6,085,471	A *	7/2000	Axon	52/167.4
6,582,172	B2 *	6/2003	Nickerson et al.	411/371.1
6,637,171	B1 *	10/2003	Toone	52/677
7,261,489	B2 *	8/2007	Arbona et al.	403/381
D553,477	S *	10/2007	Kuzukawa	D8/354
D563,205	S *	3/2008	Kuzukawa	D8/354
7,581,301	B2 *	9/2009	Arbona et al.	29/525.02
7,581,913	B2 *	9/2009	Ordonio et al.	411/542
D612,811	S *	3/2010	Daily et al.	D13/154
7,797,906	B2 *	9/2010	Kassem	52/713
D636,503	S *	4/2011	Parziale et al.	D25/199

* cited by examiner

Primary Examiner — Mark Goodwin
(74) *Attorney, Agent, or Firm* — Sturm & Fix LLP

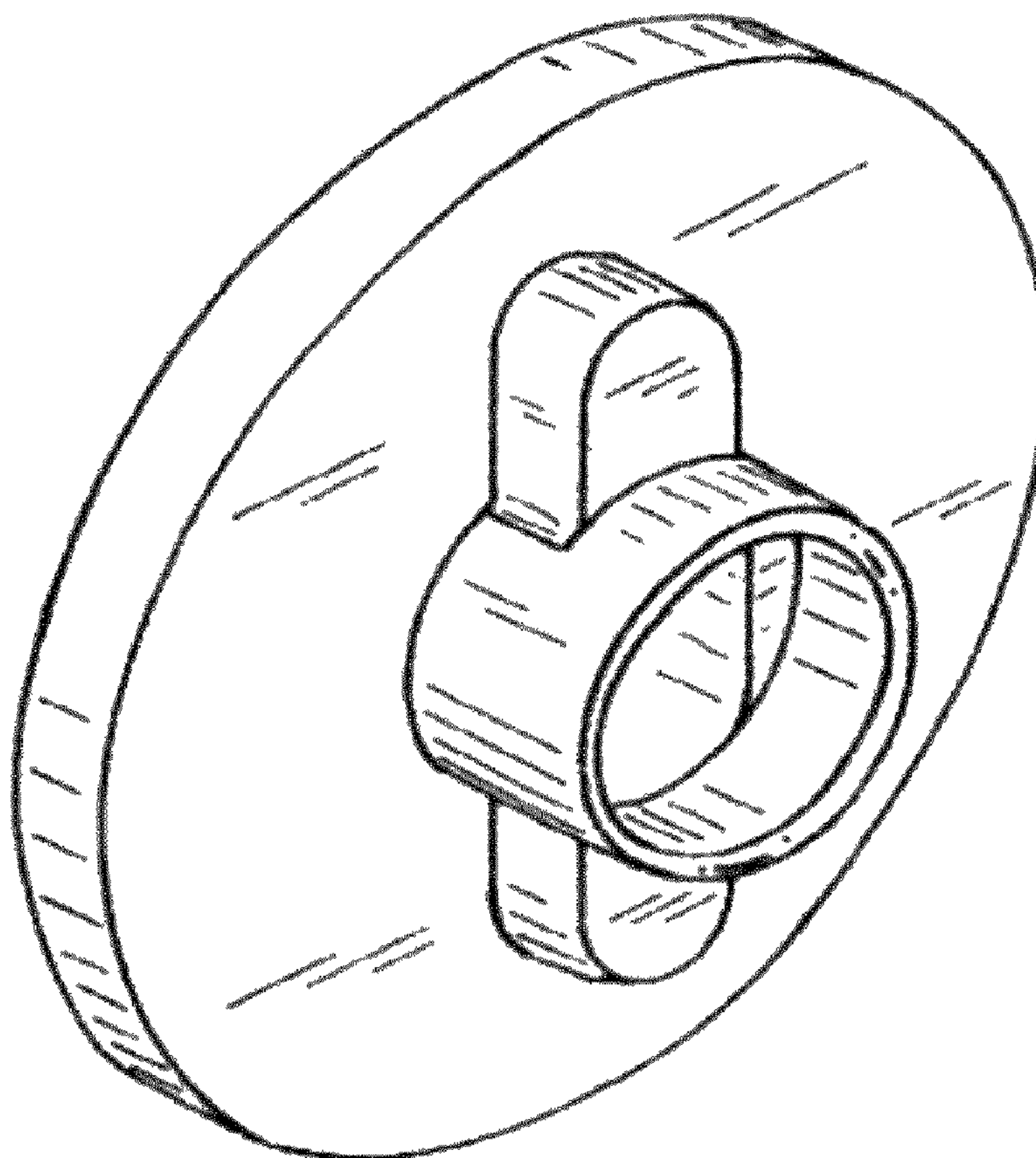
(57) **CLAIM**
The ornamental design for an isolator, as shown and described.

DESCRIPTION

FIG. 1 is a front perspective view of the isolator showing my new design;
FIG. 2 is a rear perspective view thereof;
FIG. 3 is a top plan view thereof;
FIG. 4 is a side elevational view, the other side being a mirror image of the side shown;
FIG. 5 is an end view, the other end being a mirror image of the end shown; and,
FIG. 6 is a bottom view thereof.

1 Claim, 2 Drawing Sheets

- (56) **References Cited**
- U.S. PATENT DOCUMENTS
- 3,286,577 A * 11/1966 Weidner, Jr. 411/542
- 3,584,531 A * 6/1971 Greenleaf 411/371.1
- 4,026,183 A * 5/1977 Bart 411/542
- D262,775 S * 1/1982 Lilley, Jr. D8/402
- D263,022 S * 2/1982 Lilley et al. D8/402
- 4,744,187 A * 5/1988 Tripp 52/410
- 5,378,102 A * 1/1995 Mossman 411/531
- D373,070 S * 8/1996 Kriegstein D8/354
- 5,645,282 A * 7/1997 Belter 277/598



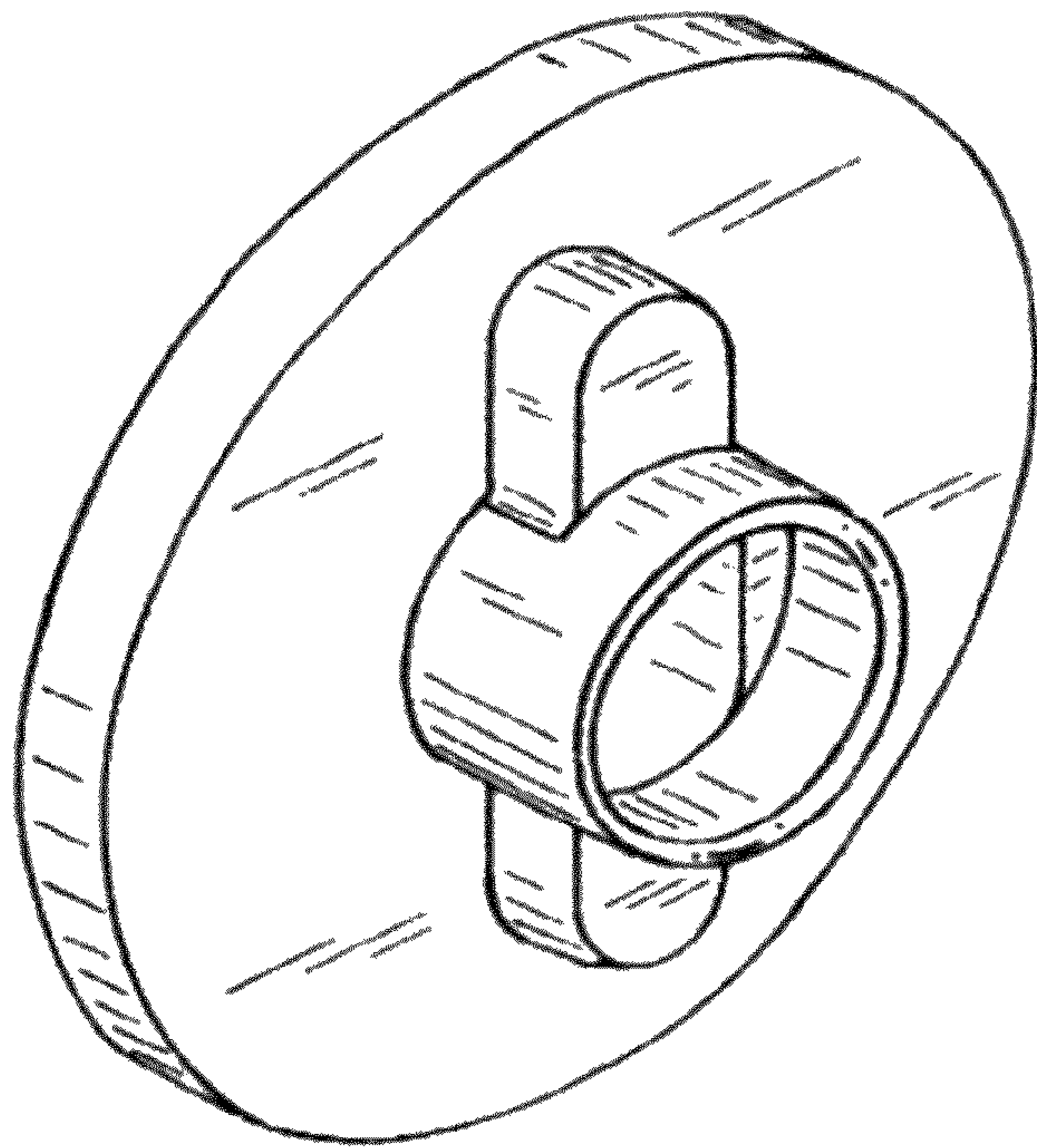


Fig. 1

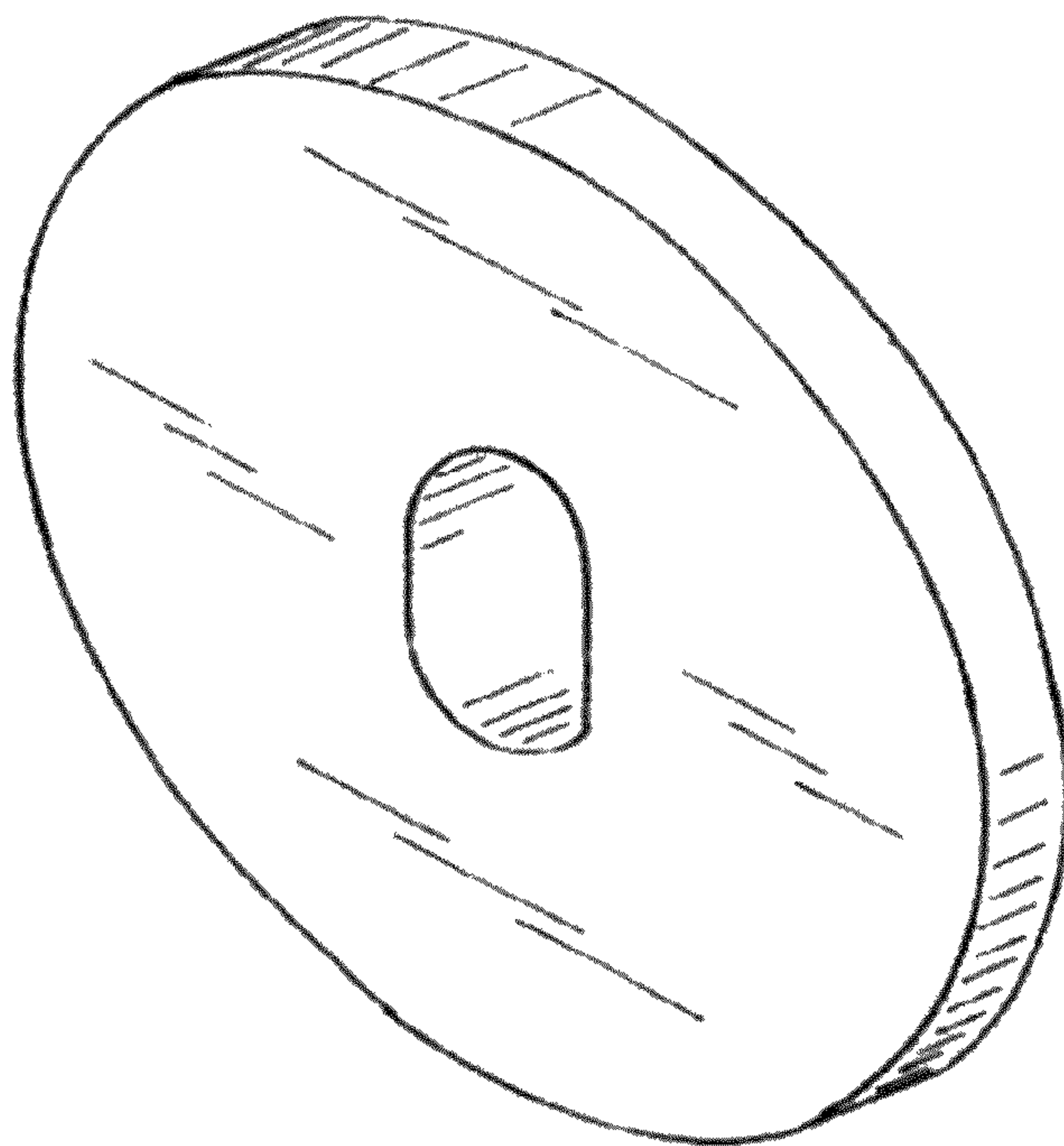


Fig. 2

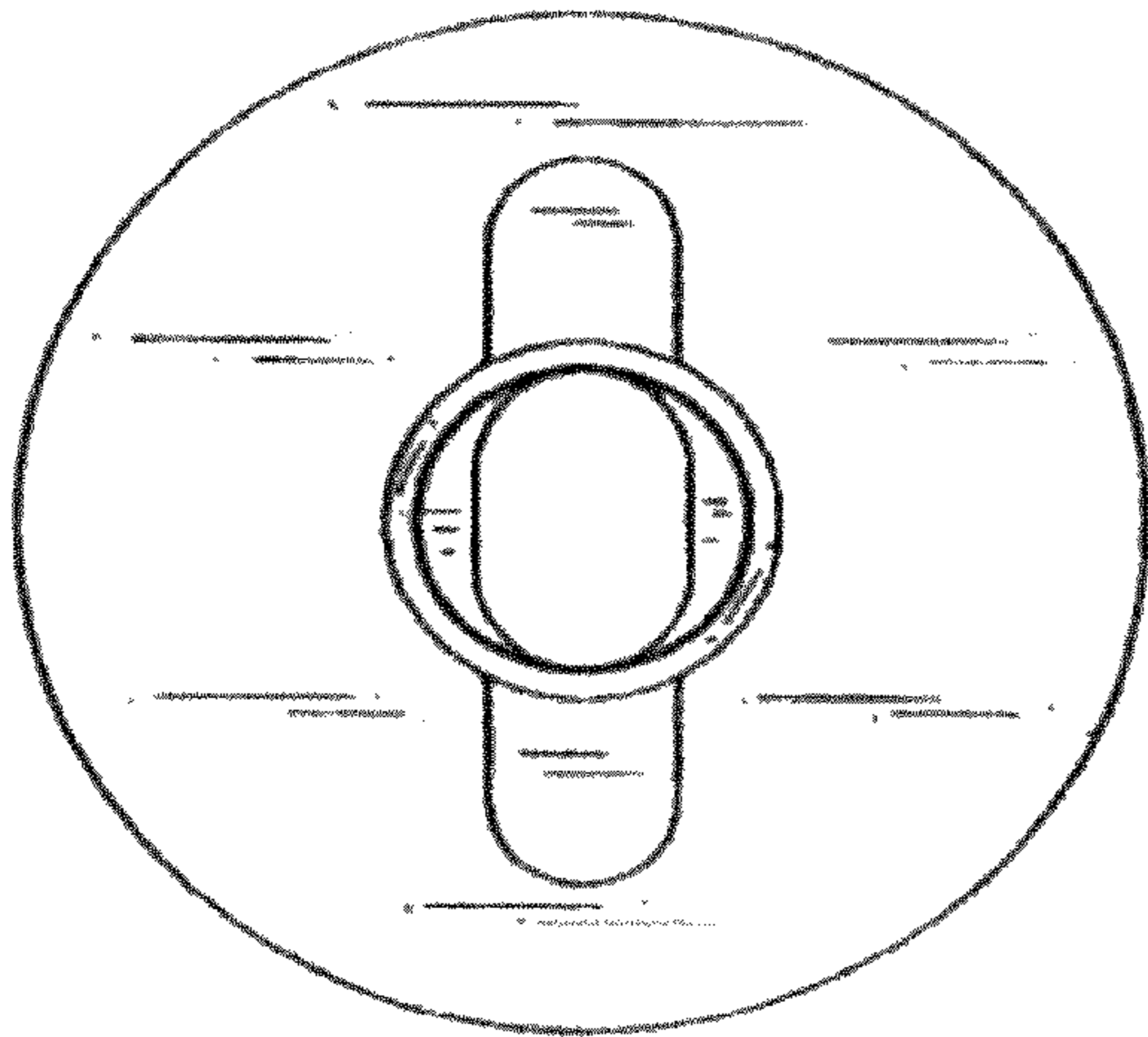


Fig. 3

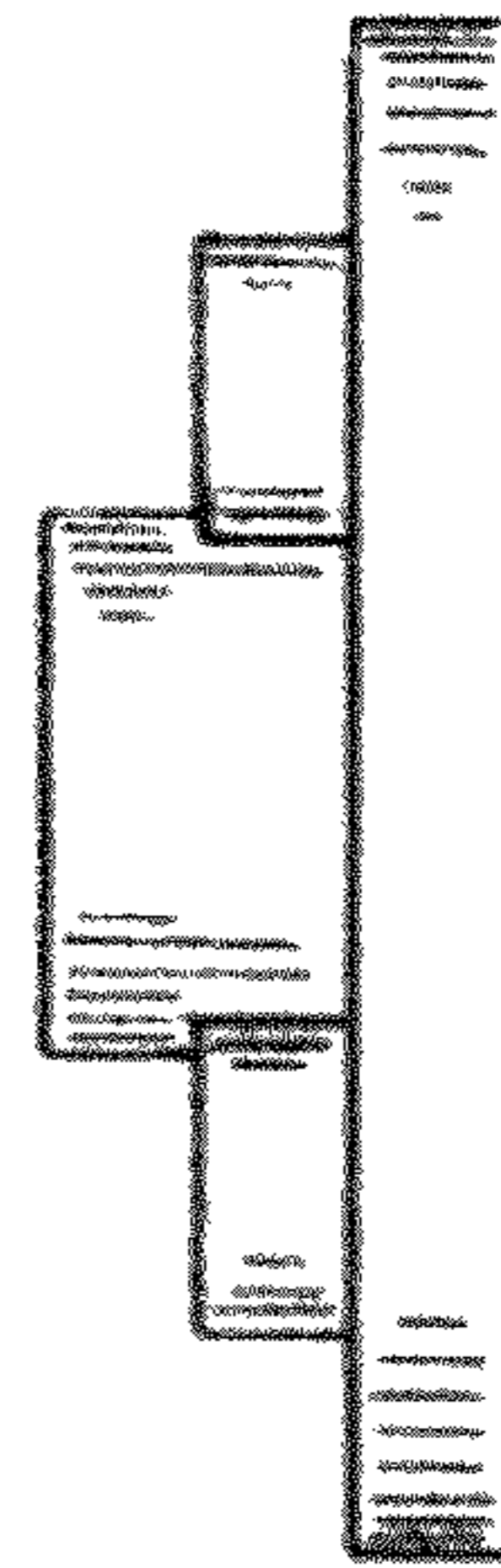


Fig. 4

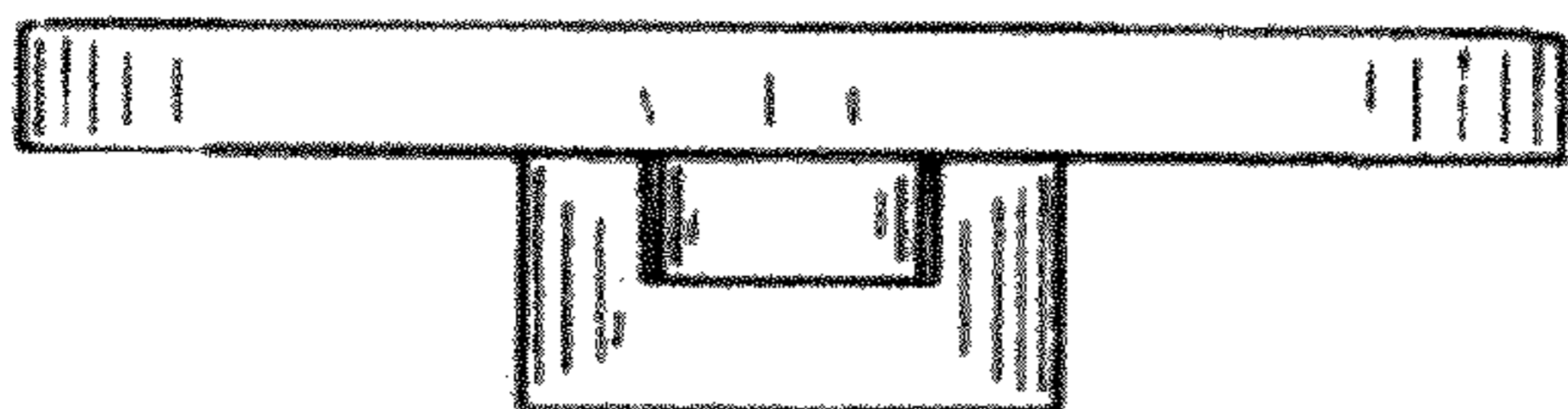


Fig. 5

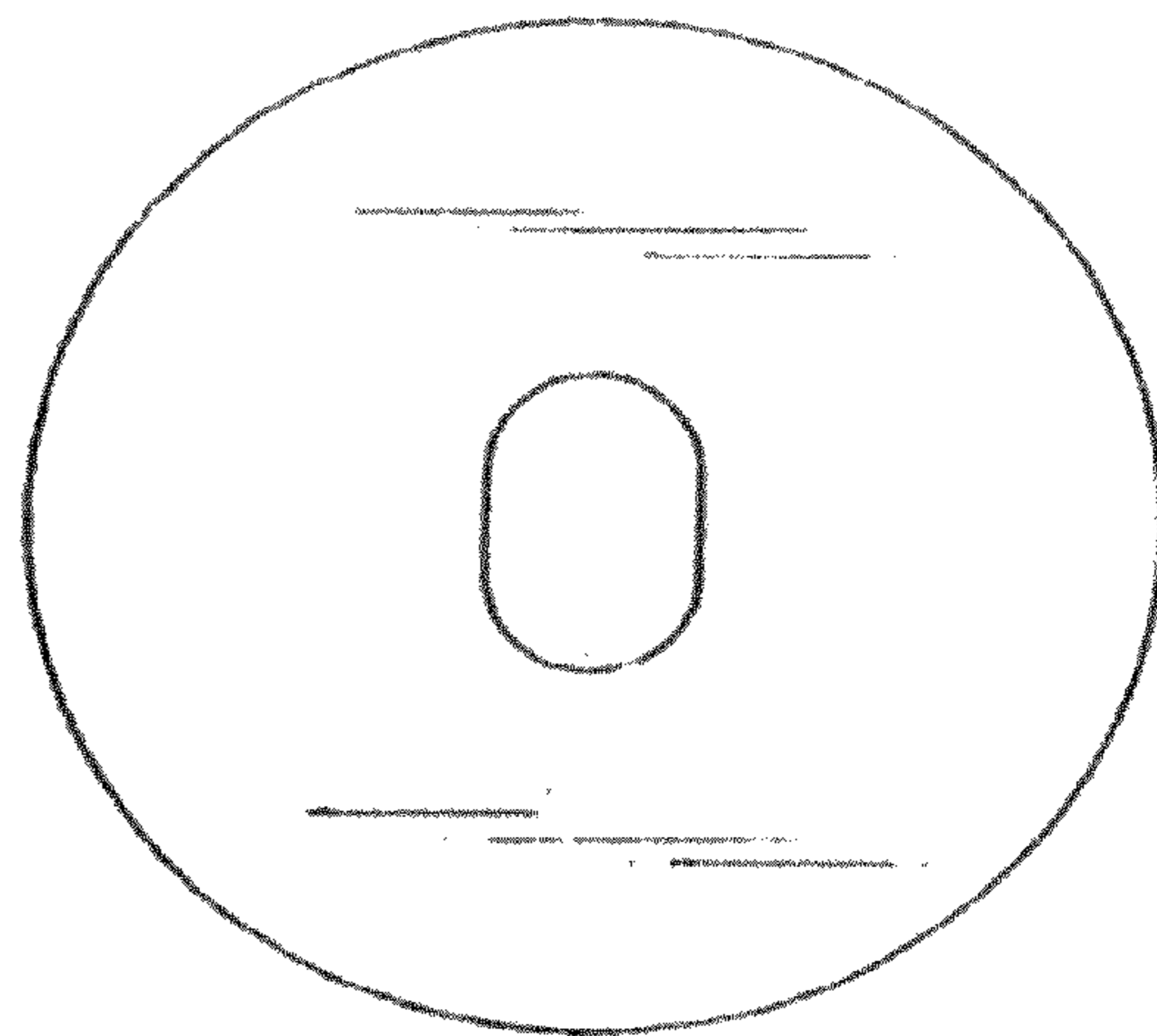


Fig. 6