



US00D674263S

(12) **United States Design Patent**
Aglassinger

(10) **Patent No.:** **US D674,263 S**
(45) **Date of Patent:** **** Jan. 15, 2013**

- (54) **SAW**
- (75) **Inventor:** **Hans-Peter Aglassinger**, Esslingen (DE)
- (73) **Assignee:** **Robert Bosch GmbH**, Stuttgart, DE (US)
- (**) **Term:** **14 Years**
- (21) **Appl. No.:** **29/389,358**
- (22) **Filed:** **Apr. 11, 2011**
- (30) **Foreign Application Priority Data**

Oct. 15, 2010 (EM) 001768599

- (51) **LOC (9) Cl.** **08-03**
- (52) **U.S. Cl.** **D8/64**
- (58) **Field of Classification Search** D8/61, D8/62, 64, 65, 68, 70; 30/166.3, 371, 376, 30/377, 392, 393, 394, 519; 74/49, 50; 173/216, 173/217; 83/697, 699.21, 746; 446/145
See application file for complete search history.

(56) **References Cited**

U.S. PATENT DOCUMENTS

| | | | | |
|-----------|-----|---------|-------------------|--------|
| 379,291 | A | 3/1888 | Seery | |
| 2,998,830 | A | 9/1961 | Atkinson | |
| 4,884,344 | A | 12/1989 | Martinez et al. | |
| 5,009,012 | A | 4/1991 | Martinez et al. | |
| 5,031,324 | A | 7/1991 | Berghauser et al. | |
| 5,134,777 | A | 8/1992 | Meyer et al. | |
| 5,212,887 | A | 5/1993 | Farmerie | |
| D341,536 | S * | 11/1993 | Fukuda et al. | D8/64 |
| 5,398,417 | A | 3/1995 | Quirijnen et al. | |
| 5,940,977 | A | 8/1999 | Moores, Jr. | |
| 6,021,573 | A * | 2/2000 | Kikuchi et al. | 30/392 |
| 6,286,611 | B1 | 9/2001 | Bone | |
| 6,449,851 | B1 | 9/2002 | Bone | |
| D500,651 | S | 1/2005 | Andriolo | |
| D515,382 | S | 2/2006 | Andriolo | |

(Continued)

FOREIGN PATENT DOCUMENTS

CN 202192327 * 4/2012
(Continued)

OTHER PUBLICATIONS

Milwaukee Electric Tool Corporation Press Release—"Milwaukee Introduces New M12 Hackzall Recip Saw"; Published at least as early as Jan. 31, 2011 (1 page).

(Continued)

Primary Examiner — Philip S Hyder

Assistant Examiner — John T Applewhite

(74) *Attorney, Agent, or Firm* — Maginot, Moore & Beck

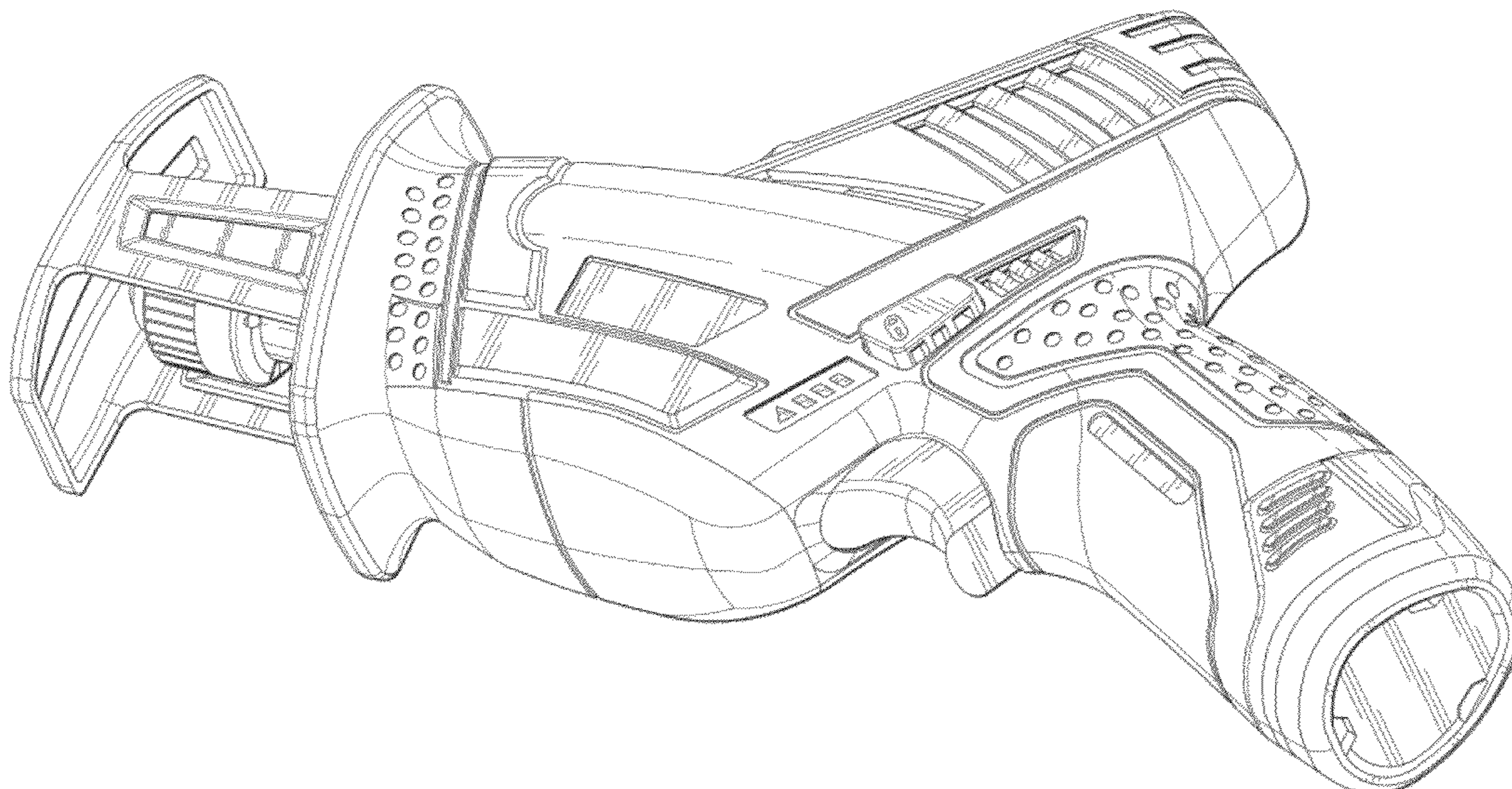
(57) **CLAIM**

The ornamental design for a saw, as shown and described.

DESCRIPTION

FIG. 1 is a perspective view of a saw showing my new design; FIG. 2 is right side elevational view showing the design for the saw of FIG. 1; FIG. 3 is a left side elevational view showing the design for the saw of FIG. 1; FIG. 4 is a bottom elevational view showing the design for the saw of FIG. 1; FIG. 5 is a top elevational view showing the design for the saw of FIG. 1; FIG. 6 is a rear elevational view showing the design for the saw of FIG. 1; and, FIG. 7 is a front elevational view showing the design for the saw of FIG. 1. The broken line portions of the saw in FIG. 4 form no part of the claimed design.

1 Claim, 7 Drawing Sheets



US D674,263 S

Page 2

U.S. PATENT DOCUMENTS

D523,718 S * 6/2006 Yamamoto et al. D8/64
D523,719 S 6/2006 Andriolo
D524,623 S 7/2006 Andriolo
D538,617 S * 3/2007 Aglassinger D8/64
D577,556 S * 9/2008 O'Hern D8/64
D582,739 S * 12/2008 Aoki et al. D8/64
D631,314 S * 1/2011 Baxter D8/64
D639,130 S * 6/2011 Ukai et al. D8/64
D661,564 S * 6/2012 Busschaert D8/64
2001/0034942 A1 * 11/2001 Marinkovich et al. 30/393
2003/0145472 A1 8/2003 Swift
2004/0049928 A1 3/2004 Phillips et al.
2004/0143976 A1 7/2004 Wheeler et al.
2004/0237678 A1 12/2004 Lagaly et al.
2004/0261273 A1 12/2004 Griep et al.
2005/0005458 A1 * 1/2005 Marinkovich et al. 30/394
2005/0205276 A1 9/2005 Wu
2005/0205277 A1 9/2005 Wu
2006/0005402 A1 1/2006 Nottingham et al.
2006/0260141 A1 11/2006 Phillips et al.
2006/0288591 A1 12/2006 Chreene et al.
2008/0066940 A1 3/2008 Andriolo et al.
2008/0229591 A1 * 9/2008 Saegesser et al. 30/519
2009/0100690 A1 * 4/2009 Delfini et al. 30/392
2009/0223071 A1 * 9/2009 Alberti et al. 30/392
2010/0162579 A1 7/2010 Naughton et al.
2011/0010951 A1 * 1/2011 Harrison et al. 30/376

FOREIGN PATENT DOCUMENTS

DE 3912227 A * 10/1989
EP 1325790 7/2003
GB 2234032 A * 1/1991
GB 2234034 1/1991

OTHER PUBLICATIONS

Milwaukee Electric Tool Corporation Press Release—"Milwaukee Introduces New Hackzall M18 Cordless One-Handed Recip Saw"; Published at least as early as Jan. 31, 2011 (1 page).
Milwaukee Electric Tool Corporation Operator's Manual—"Manual for M12 Hackzall Recip Saw"; Published at least as early as Jan. 31, 2011 (11 pages).
Craftsman website page "Craftsman 14299 Nextec 12-volt Cordless Multi-Saw-Tool Only"; Published at least as early as Jan. 31, 2011 (2 pages).
Bosch website page "All Purpose Saw PFZ 500 E"; Published at least as early as Jan. 31, 2011 (2 pages).
Bosch website page "Sabre Saw"; Published at least as early as Jan. 31, 2011 (1 page).
idealo.co.uk website page "Bosch PFZ 500 E"; Published at least as early as Jan. 31, 2011 (3 pages).
google.de website page "Bosch Fuchschwanz Bosch All Purpose Saw"; Published at least as early as Jan. 31, 2011 (1 page).

* cited by examiner

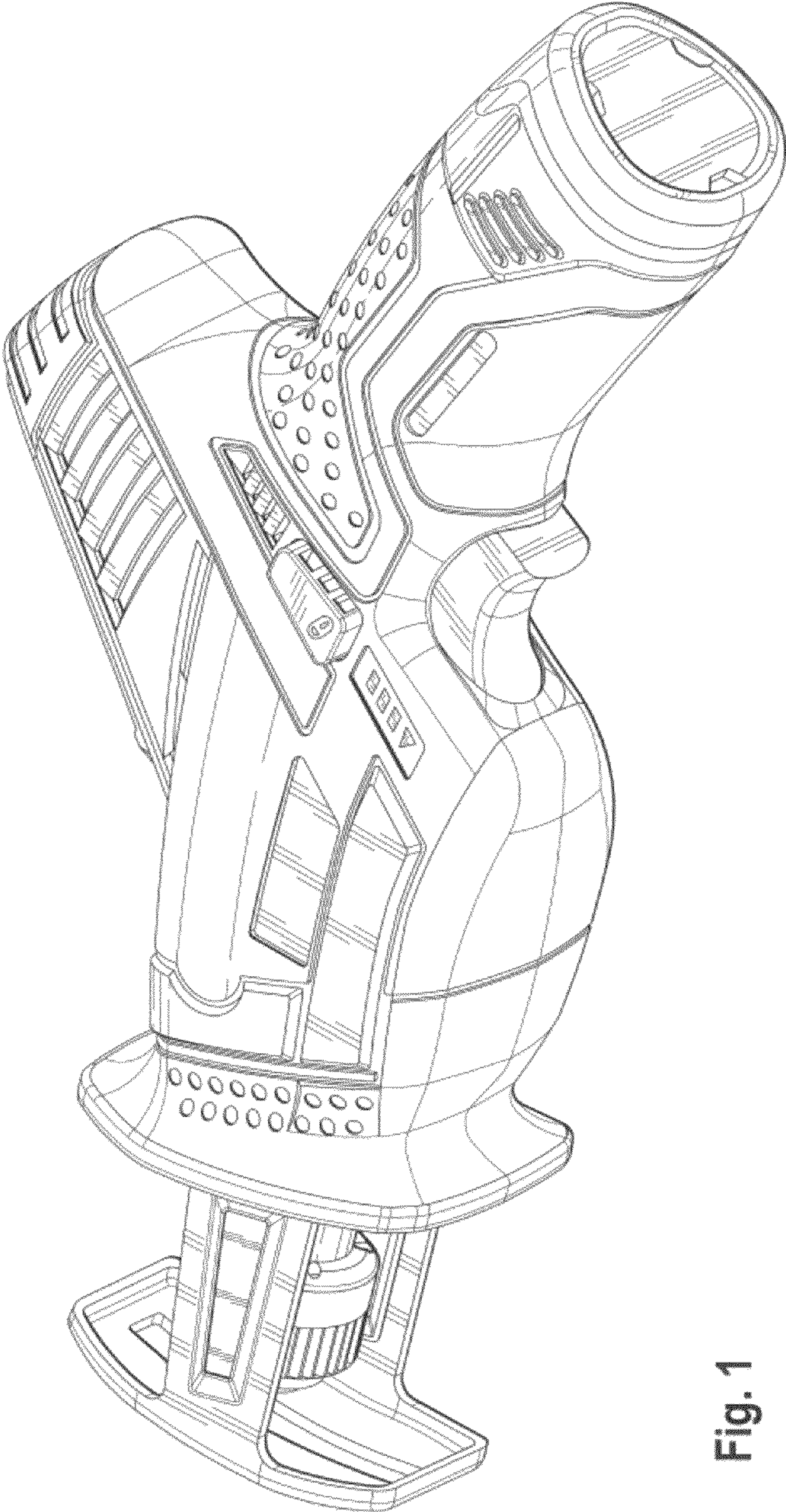


Fig. 1

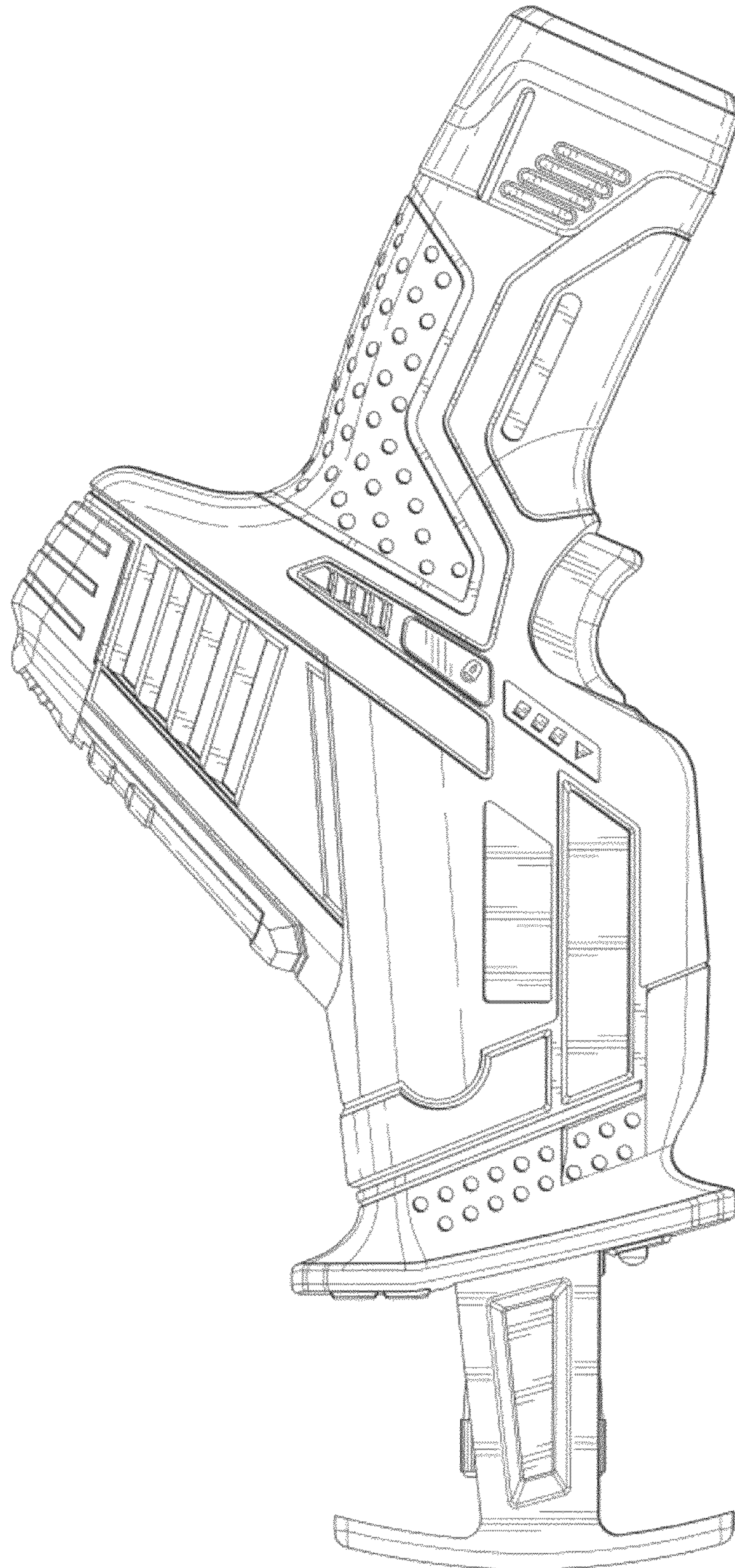


Fig. 2

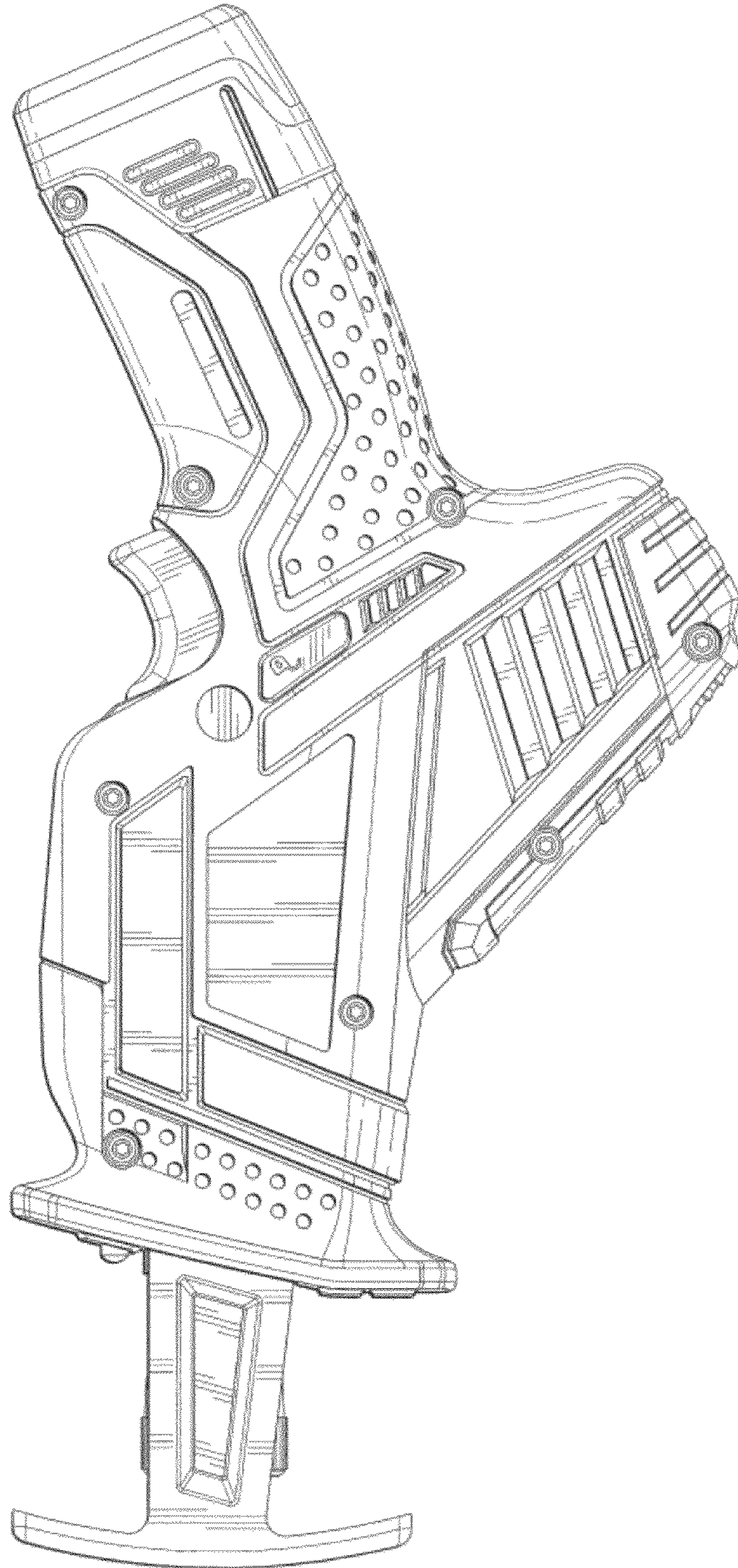


Fig. 3

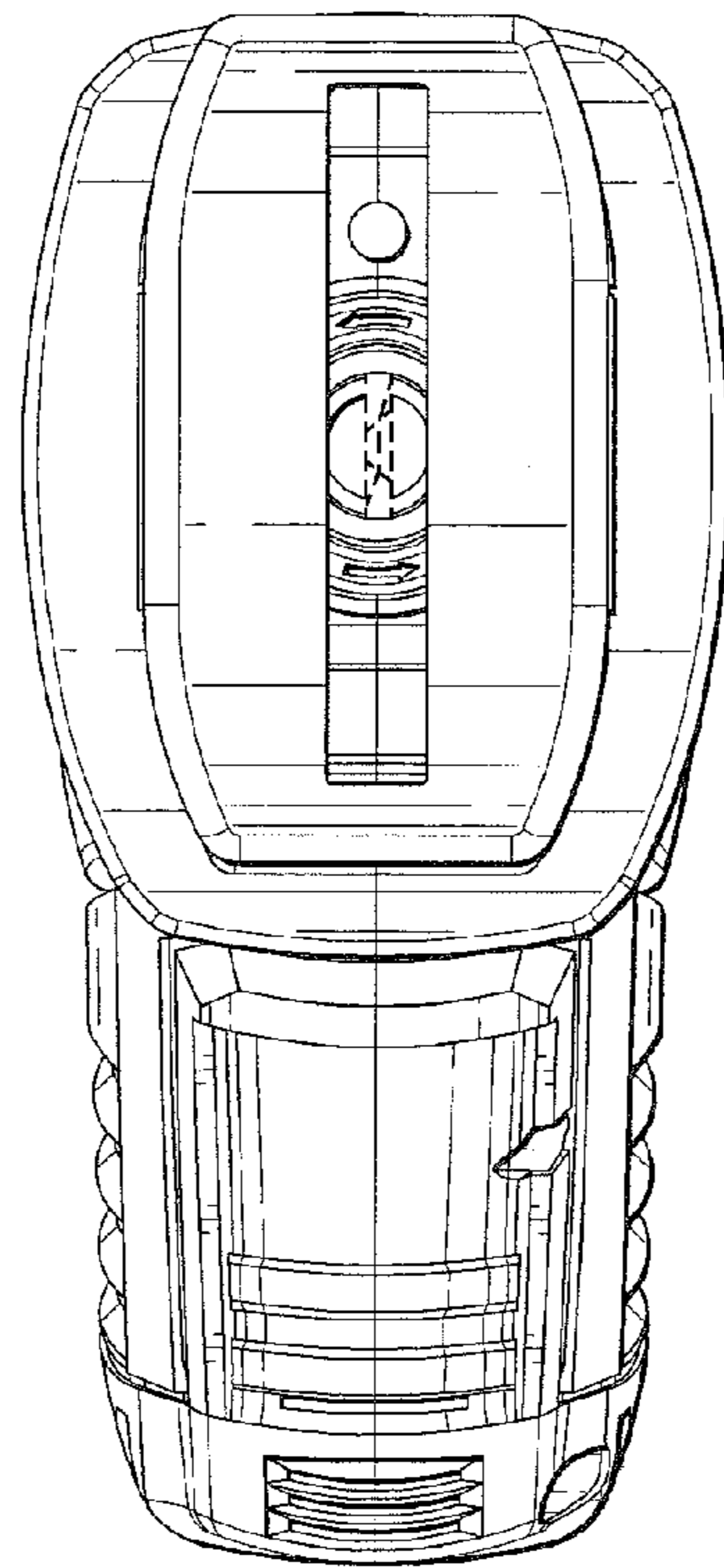


Fig. 4

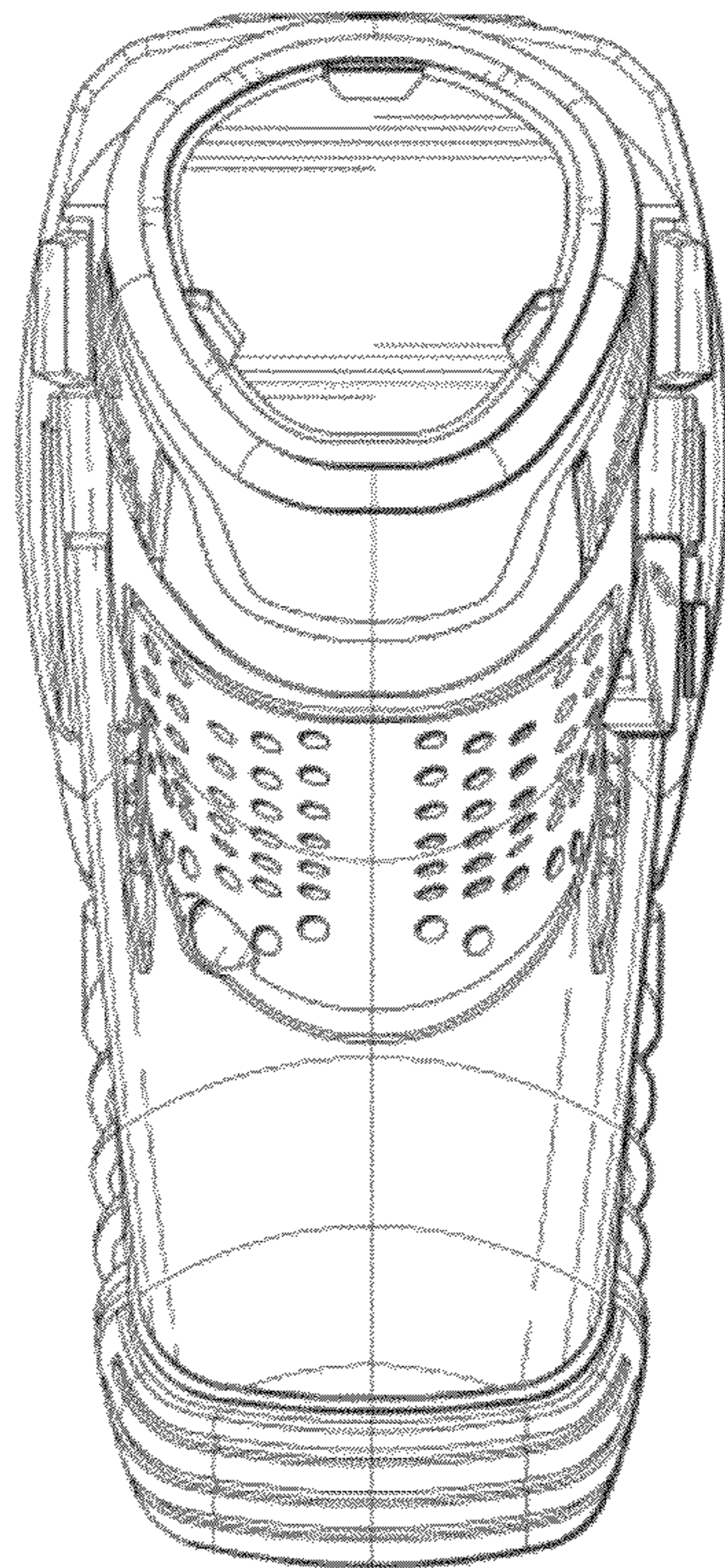


Fig. 5

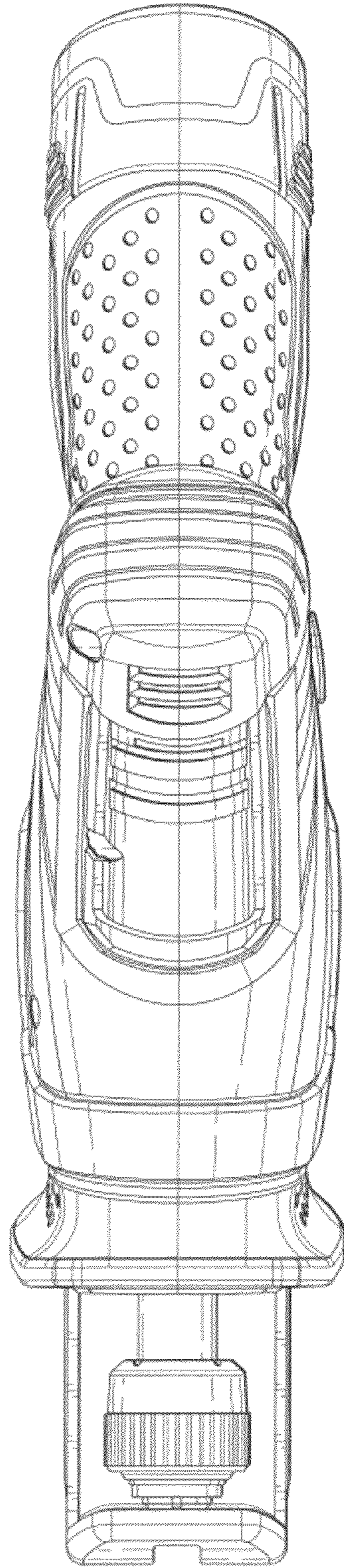


Fig. 6

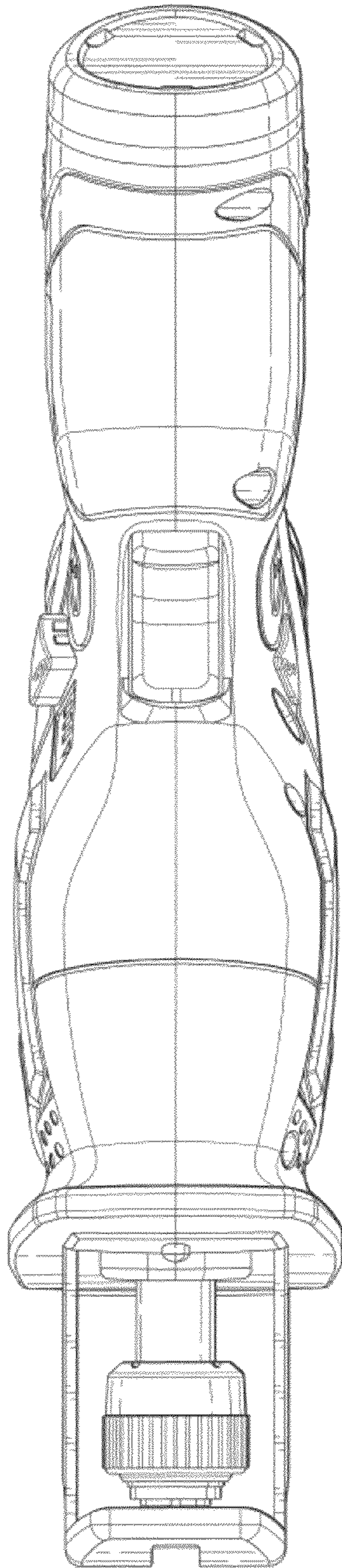


Fig. 7